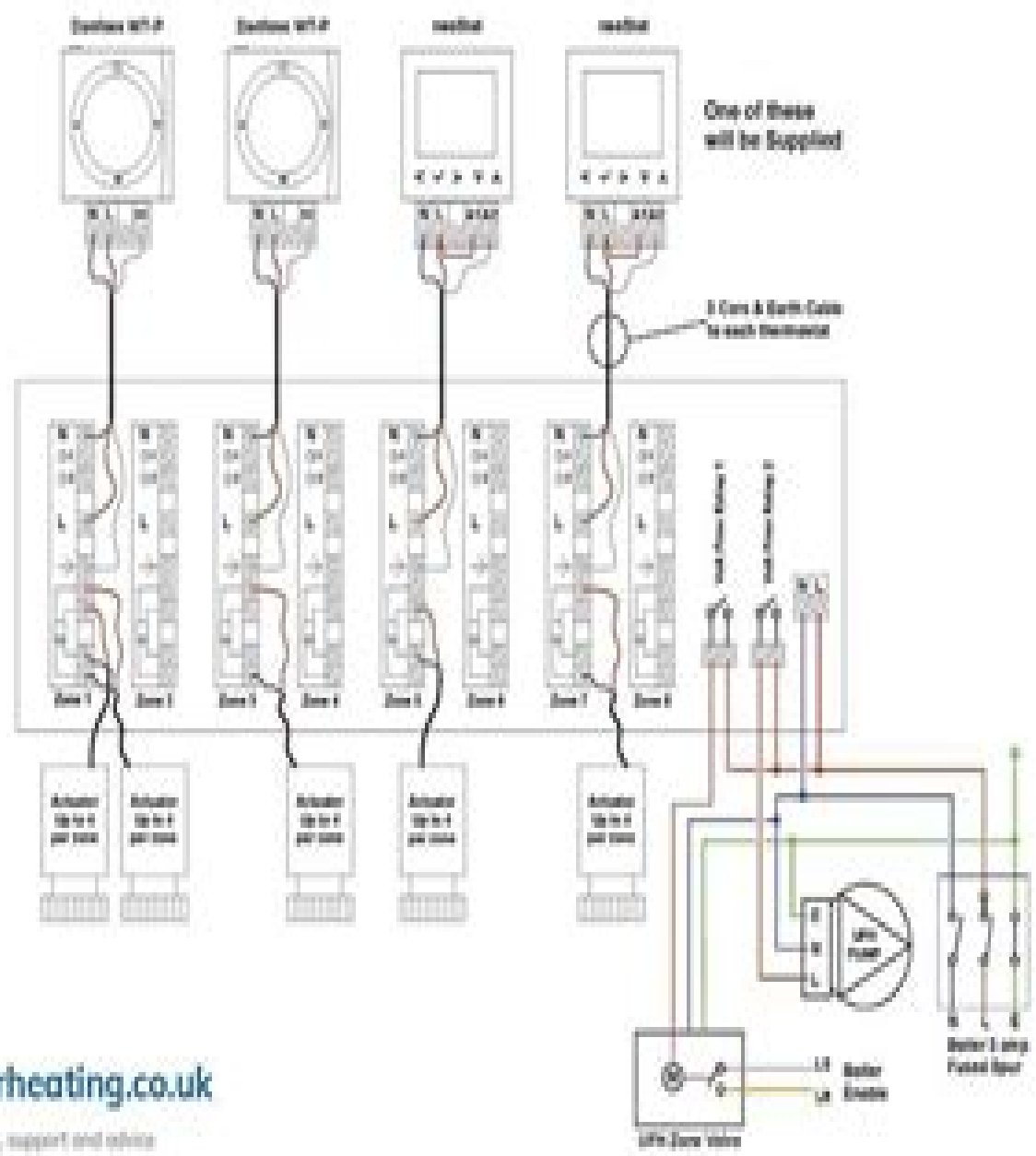


Wiring using a Wiring Centre (Multi Zone)



Connection Example Danfoss

L Towne



Connection Example Danfoss:

Entrepreneurship in Theory and Practice Suna Løwe Nielsen, Kim Klyver, Majbritt Rostgaard Ewald, Torben Bager, 2021-03-26 The third edition of this creative and successful textbook provides a broad overview of entrepreneurship from a theoretical and practical perspective Engaging for undergraduates it embeds theories of entrepreneurship with tensions and dilemmas presented as paradoxes for each chapter It offers insights into the entrepreneurial process and challenges readers to assess the paradoxes and pitfalls encountered on an entrepreneurial journey **Mass Customisation and Personalisation in Architecture and Construction** Poorang Piroozfar, Frank Piller, 2013-06-19 Challenged by the recent economic crisis the building and construction industry is currently seeking new orientation and strategies Here mass customisation is uncovered as a key strategy in helping to meet this challenge The term mass customisation denotes an offering that meets the demands of each individual customer whilst still being produced with mass production efficiency Today mass customisation is emerging from a pilot stage into a scalable and sustainable strategy The first dedicated publication of its kind this book provides a forum for the concept within an applied and highly innovative context The book includes contributions from some of the most prominent thinkers and practitioners in the field from across the world including Kasper S Vibaek Steve Kendall Martin Bechthold Mitchell M Tseng and Masa Noguchi Bringing together this panel of experts who have carried out research both in academia and practice this book provides an overview of state of the art practice related to the concept of customisation and personalisation within the built environment *From Ideas to Action* Jan-Olaf Willums, Ulrich Golüke, 1992 The earth our asset Business sustainable development and environmental assets The air around us The water we need The vanishing forests The richness of nature biodiversity The lost resource waste Hopes and promises population poverty and health The business response to sustainable development The greening of enterprise industry s score Fueling economic development the double edge of energy Bridging the gap industry s role in technology cooperation The road ahead The ICC business charter for sustainable development The history of the business charter Further reference material on cases Corporate environmental profiles The Rio declaration and ICC business charter on environment and development Reference documents *The Journal of Refrigeration* ,1968 Water 21 ,1999 Modern Refrigeration ... ,1974 **Market Oriented Product Innovation** Knut Holt, 2013-03-14 Market Oriented Product Innovation differs from most other titles written either from a marketing or technical perspective by giving a holistic view of the product innovation process It has a product perspective written from a managerial point of view recognizing that product innovation or new product development is a discipline of its own It is concerned with managing the products goods and services through their life cycle integrating marketing knowledge and technological expertise with the aim of getting satisfied customers The book also gives a thorough treatment of the human and cultural aspects of product innovation by focusing on the change processes needed for the development of a market oriented culture The Journal of the Institution

of Heating and Ventilating Engineers Institution of Heating and Ventilating Engineers (Great Britain),1960 *The Engineering and Boiler House Review* ,1962 *Shipbuilding & Marine Engineering International* ,1972 **Engineering Materials and Design** ,1990 *Processing* ,1993 **Business Review Weekly** ,2004 **Heating & Air Treatment Engineer** ,1961 Embedded Software ,2005 Desalination Jane Kucera,2019-04-11 This all new revised edition of a modern classic is the most comprehensive and up to date coverage of the green process of desalination in industrial and municipal applications covering all of the processes and equipment necessary to design operate and troubleshoot desalination systems This is becoming increasingly more important for not only our world s industries but our world s populations as pure water becomes more and more scarce Blue is the new green This is an all new revised edition of a modern classic on one of the most important subjects in engineering Water Featuring a total revision of the initial volume this is the most comprehensive and up to date coverage of the process of desalination in industrial and municipal applications a technology that is becoming increasingly more important as more and more companies choose to go green This book covers all of the processes and equipment necessary to design operate and troubleshoot desalination systems from the fundamental principles of desalination technology and membranes to the much more advanced engineering principles necessary for designing a desalination system Earlier chapters cover the basic principles the economics of desalination basic terms and definitions and essential equipment The book then goes into the thermal processes involved in desalination such as various methods of evaporation distillation recompression and multistage flash Following that is an exhaustive discussion of the membrane processes involved in desalination such as reverse osmosis forward osmosis and electrodialysis Finally the book concludes with a chapter on the future of these technologies and their place in industry and how they can be of use to society This book is a must have for anyone working in water for engineers technicians scientists working in research and development and operators It is also useful as a textbook for graduate classes studying industrial water applications

Interactions ,1997 A magazine for designers of interactive products **Official Journal of the European Communities** ,1988 Official Reference Book and Buyers' Guide ,1986 La vita tra cose e natura Electa,1992

Eventually, you will certainly discover a supplementary experience and achievement by spending more cash. yet when? accomplish you say yes that you require to acquire those every needs in the same way as having significantly cash? Why dont you attempt to get something basic in the beginning? Thats something that will lead you to understand even more roughly the globe, experience, some places, taking into account history, amusement, and a lot more?

It is your completely own time to play reviewing habit. along with guides you could enjoy now is **Connection Example Danfoss** below.

<https://py.bijouxmedusa.com/results/book-search/default.aspx/answers%20to%20all%20virtual%20business%20quiz.pdf>

Table of Contents Connection Example Danfoss

1. Understanding the eBook Connection Example Danfoss
 - The Rise of Digital Reading Connection Example Danfoss
 - Advantages of eBooks Over Traditional Books
2. Identifying Connection Example Danfoss
 - Exploring Different Genres
 - Considering Fiction vs. Non-Fiction
 - Determining Your Reading Goals
3. Choosing the Right eBook Platform
 - Popular eBook Platforms
 - Features to Look for in an Connection Example Danfoss
 - User-Friendly Interface
4. Exploring eBook Recommendations from Connection Example Danfoss
 - Personalized Recommendations
 - Connection Example Danfoss User Reviews and Ratings
 - Connection Example Danfoss and Bestseller Lists
5. Accessing Connection Example Danfoss Free and Paid eBooks

- Connection Example Danfoss Public Domain eBooks
- Connection Example Danfoss eBook Subscription Services
- Connection Example Danfoss Budget-Friendly Options
- 6. Navigating Connection Example Danfoss eBook Formats
 - ePub, PDF, MOBI, and More
 - Connection Example Danfoss Compatibility with Devices
 - Connection Example Danfoss Enhanced eBook Features
- 7. Enhancing Your Reading Experience
 - Adjustable Fonts and Text Sizes of Connection Example Danfoss
 - Highlighting and Note-Taking Connection Example Danfoss
 - Interactive Elements Connection Example Danfoss
- 8. Staying Engaged with Connection Example Danfoss
 - Joining Online Reading Communities
 - Participating in Virtual Book Clubs
 - Following Authors and Publishers Connection Example Danfoss
- 9. Balancing eBooks and Physical Books Connection Example Danfoss
 - Benefits of a Digital Library
 - Creating a Diverse Reading Collection Connection Example Danfoss
- 10. Overcoming Reading Challenges
 - Dealing with Digital Eye Strain
 - Minimizing Distractions
 - Managing Screen Time
- 11. Cultivating a Reading Routine Connection Example Danfoss
 - Setting Reading Goals Connection Example Danfoss
 - Carving Out Dedicated Reading Time
- 12. Sourcing Reliable Information of Connection Example Danfoss
 - Fact-Checking eBook Content of Connection Example Danfoss
 - Distinguishing Credible Sources
- 13. Promoting Lifelong Learning
 - Utilizing eBooks for Skill Development

- Exploring Educational eBooks
14. Embracing eBook Trends
- Integration of Multimedia Elements
 - Interactive and Gamified eBooks

Connection Example Danfoss Introduction

Connection Example Danfoss Offers over 60,000 free eBooks, including many classics that are in the public domain. Open Library: Provides access to over 1 million free eBooks, including classic literature and contemporary works. Connection Example Danfoss Offers a vast collection of books, some of which are available for free as PDF downloads, particularly older books in the public domain. Connection Example Danfoss : This website hosts a vast collection of scientific articles, books, and textbooks. While it operates in a legal gray area due to copyright issues, its a popular resource for finding various publications. Internet Archive for Connection Example Danfoss : Has an extensive collection of digital content, including books, articles, videos, and more. It has a massive library of free downloadable books. Free-eBooks Connection Example Danfoss Offers a diverse range of free eBooks across various genres. Connection Example Danfoss Focuses mainly on educational books, textbooks, and business books. It offers free PDF downloads for educational purposes. Connection Example Danfoss Provides a large selection of free eBooks in different genres, which are available for download in various formats, including PDF. Finding specific Connection Example Danfoss, especially related to Connection Example Danfoss, might be challenging as theyre often artistic creations rather than practical blueprints. However, you can explore the following steps to search for or create your own Online Searches: Look for websites, forums, or blogs dedicated to Connection Example Danfoss, Sometimes enthusiasts share their designs or concepts in PDF format. Books and Magazines Some Connection Example Danfoss books or magazines might include. Look for these in online stores or libraries. Remember that while Connection Example Danfoss, sharing copyrighted material without permission is not legal. Always ensure youre either creating your own or obtaining them from legitimate sources that allow sharing and downloading. Library Check if your local library offers eBook lending services. Many libraries have digital catalogs where you can borrow Connection Example Danfoss eBooks for free, including popular titles. Online Retailers: Websites like Amazon, Google Books, or Apple Books often sell eBooks. Sometimes, authors or publishers offer promotions or free periods for certain books. Authors Website Occasionally, authors provide excerpts or short stories for free on their websites. While this might not be the Connection Example Danfoss full book , it can give you a taste of the authors writing style. Subscription Services Platforms like Kindle Unlimited or Scribd offer subscription-based access to a wide range of Connection Example Danfoss eBooks, including some popular titles.

FAQs About Connection Example Danfoss Books

1. Where can I buy Connection Example Danfoss books? Bookstores: Physical bookstores like Barnes & Noble, Waterstones, and independent local stores. Online Retailers: Amazon, Book Depository, and various online bookstores offer a wide range of books in physical and digital formats.
2. What are the different book formats available? Hardcover: Sturdy and durable, usually more expensive. Paperback: Cheaper, lighter, and more portable than hardcovers. E-books: Digital books available for e-readers like Kindle or software like Apple Books, Kindle, and Google Play Books.
3. How do I choose a Connection Example Danfoss book to read? Genres: Consider the genre you enjoy (fiction, non-fiction, mystery, sci-fi, etc.). Recommendations: Ask friends, join book clubs, or explore online reviews and recommendations. Author: If you like a particular author, you might enjoy more of their work.
4. How do I take care of Connection Example Danfoss books? Storage: Keep them away from direct sunlight and in a dry environment. Handling: Avoid folding pages, use bookmarks, and handle them with clean hands. Cleaning: Gently dust the covers and pages occasionally.
5. Can I borrow books without buying them? Public Libraries: Local libraries offer a wide range of books for borrowing. Book Swaps: Community book exchanges or online platforms where people exchange books.
6. How can I track my reading progress or manage my book collection? Book Tracking Apps: Goodreads, LibraryThing, and Book Catalogue are popular apps for tracking your reading progress and managing book collections. Spreadsheets: You can create your own spreadsheet to track books read, ratings, and other details.
7. What are Connection Example Danfoss audiobooks, and where can I find them? Audiobooks: Audio recordings of books, perfect for listening while commuting or multitasking. Platforms: Audible, LibriVox, and Google Play Books offer a wide selection of audiobooks.
8. How do I support authors or the book industry? Buy Books: Purchase books from authors or independent bookstores. Reviews: Leave reviews on platforms like Goodreads or Amazon. Promotion: Share your favorite books on social media or recommend them to friends.
9. Are there book clubs or reading communities I can join? Local Clubs: Check for local book clubs in libraries or community centers. Online Communities: Platforms like Goodreads have virtual book clubs and discussion groups.
10. Can I read Connection Example Danfoss books for free? Public Domain Books: Many classic books are available for free as they're in the public domain. Free E-books: Some websites offer free e-books legally, like Project Gutenberg or Open Library.

Find Connection Example Danfoss :

~~answers to all virtual business quiz~~

ancient irrigation systems of the aral sea area the history origin and development of irrigated agriculture

american school of prehistoric research monographs

anesthesia and analgesia in laboratory animals second edition american college of laboratory animal medicine

animal farm questions and answers chapters 1 4

answers physics lab conservation of momentum

answers to holt mcdougal geometry textbook

antenna theory and design solutions

antwoorden oefenen samenvatting groep 7 les 1 9

analysing survival data from clinical trials and observational studies

analisa harga satuan dinas pu kabupaten gresik tahun 2016

~~answers to student exploration hr diagram gizmo~~

analog cmos integrated circuits mcgraw hill education

~~an african in greenland tete michel kpomassie~~

~~an economic theory of democracy~~

an analysis of different resampling methods in coimbatore

Connection Example Danfoss :

project muse rudyard kipling introduction to a choice of kipling s - Mar 31 2023

web rudyard kipling introduction to a choice of kipling s verse ed t s eliot there are several reasons for our not knowing kipling s poems so well as we think we do when a man is primarily known as a writer of prose fiction we are inclined and usually i think justly to regard his verse as a byproduct

kipling s choice historical novel society - Jan 29 2023

web kipling s choice written by geert spillebeen trans terese edelstein review by tess allegra without my spectacles i m nothing cries out lt john kipling as he falls wounded and gassed whilst leading his battered regiment in a hunt for german nests

kipling - Oct 06 2023

web irica cosmic pink ql keşfet kipling com tr özel fırsatlarıyla size en yakın mağazanız 3 aya varan taksit ve tüm

siparişlerinizde ücretsiz kargo fırsatı kipling com tr de

kipling s choice kirkus reviews - Jul 03 2023

web may 30 2005 kipling s choice by geert spillebeen translated by terese edelstein release date may 30 2005 john kipling was just one small officer in the great war the war to end all wars he was 18 years old in his first and last battle he was the only son of the world famous author rudyard kipling who pulled strings to get john into the army

[kipling s choice by geert spillebeen librarything](#) - Aug 24 2022

web kipling s choice is a non fiction piece of literature it was written by geert spillebeen and was translated into english by terese edelstein spillebeen does a remarkable job of retelling the story of john kipling s life family and his time on the battlefield

kipling s choice by geert spillebeen publishers weekly - Sep 24 2022

web kipling s choice geert spillebeen trans by terese edelstein houghton 16 147pp isbn 978 0 618 43124 3 in this fictionalized account of lt john kipling s untimely death spillebeen

kipling s choice harperstacks - Oct 26 2022

web geert spillebeen s moving fictionalized account follows the true story of john kipling a young man whose desire to live up to the family name threatens his very survival it also draws attention to the senseless suffering and loss of life in this and every war

[kipling s choice spillebeen geert free download borrow and](#) - Feb 27 2023

web in 1915 mortally wounded in loos france eighteen year old john kipling son of writer rudyard kipling remembers his boyhood and the events leading to what is to be his first and last world war i battle

maugham s choice of kipling s best by rudyard kipling open - Apr 19 2022

web sep 19 2020 maugham s choice of kipling s best by rudyard kipling 1953 doubleday edition in english

[kipling s choice by geert spillebeen goodreads](#) - Jun 02 2023

web jan 1 2002 kipling s choice by geert spillenbeen is a book about john kipling rudyard kipling s son john is an eighteen year old man who is a lieutenant in the army john experiences a flashback of many key moments of his life after he is

kipling s choice paperback june 4 2007 amazon com - May 01 2023

web jun 4 2007 kipling s choice paperback june 4 2007 as a young man rudyard kipling was devastated when his military application was rejected because of poor eyesight although rudyard would go on to win england s highest accolades he never got over this lost opportunity to serve his country

a choice of kipling s prose rudyard kipling google books - May 21 2022

web a choice of kipling s prose rudyard kipling faber faber 1987 fiction 448 pages as a short story writer rudyard kipling is

equaled only by chekhov and this unusually generous selection intended as a companion volume to t s eliot s a choice of kipling s verse will undoubtedly confirm kipling as a great master

a choice of kipling s verse wikipedia - Sep 05 2023

web a choice of kipling s verse made by t s eliot with an essay on rudyard kipling is a book first published in december 1941 by faber and faber in uk and by charles scribner s sons in u s a it is in two parts

kipling s choice spillebeen geert amazon com tr kitap - Aug 04 2023

web arama yapmak istediğiniz kategoriye seçin

kipling baby name meaning origin and popularity - Feb 15 2022

web oct 30 2023 kipling calls to mind writer rudyard b joseph kipling author of the stories familiar to schoolchildren gunga din and the jungle story certainly kipling is a friendlier name than rudyard these days complete with cute short form kip kipling popularity 1931 nameberry 2019

kipling s choice geert spillebeen google books - Jun 21 2022

web determined not to let history repeat itself the elder kipling applied all his influence to get his son a commission the teenager who had lived his life in comfort and whose greatest concern had been pleasing his father now faced a much greater challenge staying alive in his first battle geert spillebeen s moving fictionalized account follows

kipling s choice harpercollins - Jul 23 2022

web jun 4 2007 kipling s choice by geert spillebeen on sale june 4 2007 12 95 spend 49 on print products and get free shipping at hc com format about product details reviews bulletin blue ribbon the bulletin of the center for children s books as a young man rudyard kipling was devastated when his military application was rejected

[a choice of kipling s verse by rudyard kipling open library](#) - Nov 26 2022

web sep 17 2020 witty profound acerbic and occasionally savage kipling s poetry can be both tender and deeply moving this complete definitive collection of his verse will delight and enthrall readers of all ages read more publish date

if by rudyard kipling poetry foundation - Dec 28 2022

web rudyard kipling is one of the best known of the late victorian poets and story tellers although he was awarded the nobel prize for literature in 1907 his political views which grew more toxic as he aged have long made him critically unpopular in the new yorker

kipling definition usage examples dictionary com - Mar 19 2022

web aug 13 2014 kipling definition english author see examples of kipling used in a sentence

[stream lightning bolt by thelunaboys soundcloud](#) - Feb 26 2022

web the title says it all for all the commentshatters gonna hat

stream c kid music listen to songs albums playlists for free - Dec 27 2021

coolest kid music s coolestkid music ug profile on instagram - Sep 23 2021

cool kid musicians lightning bolt books r kids - Jul 14 2023

web cool kid musicians lightning bolt books kids in charge ebook waxman laura hamilton amazon in kindle store

cool kid musicians lightning bolt books kids in - Aug 15 2023

web cool kid musicians lightning bolt books kids in charge waxman laura hamilton amazon in books

cool kid musicians lightning bolt books kids in c pdf 2023 - Apr 30 2022

web help your audience discover your sounds let your audience know what to hear first with any pro plan get spotlight to showcase the best of your music audio at the top of your

cool kid musicians lightning bolt books kids in c pdf wrbb neu - Jun 01 2022

web bargains to obtain and deploy cool kid musicians lightning bolt books kids in charge by laura hamilton waxman therefore easy it wont accept repeatedly

cool kid actors lerner publishing group - Jul 02 2022

web stream lightning bolt by thelunaboys on desktop and mobile play over 320 million tracks for free on soundcloud

lightning bolt books kids in charge lerner publishing group - Aug 03 2022

web a cool kid like me children s books forever a cool kið like me hans wilhelm crown publishers inc new york this story is about a kid everyone thought was so terrific

[little kid gets hit by lightning youtube](#) - Oct 25 2021

series lightning bolt books kids in charge overdrive - Feb 09 2023

web buy lightning bolt books r kids in charge cool kid musicians paperback at walmart com

cool kid musicians lightning bolt books kids in charge - Mar 10 2023

web read cool kid musicians by laura hamilton waxman for free on hoopla talented kid musicians describe how they achieved their dream careers real life success stories wil

cool kid musicians by laura hamilton waxman overdrive - Sep 04 2022

web cool kid musicians lightning bolt books kids in c pdf upload mia l murray 1 18 downloaded from voto uncal edu br on august 26 2023 by mia l murray cool kid

cool kid musicians lerner publishing group - Oct 05 2022

web cool kid musicians lightning bolt books kids in c 1 cool kid musicians lightning bolt books kids in c yeah reviewing a books cool kid musicians lightning bolt

cool kid musicians lightning bolt books kids in charge - Apr 11 2023

web abebooks com cool kid musicians lightning bolt books kids in charge 9781541589131 by waxman laura hamilton and a great selection of similar new

cool kid musicians lightning bolt books kids in - May 12 2023

web cool kid musicians lightning bolt books kids in charge series laura hamilton waxman author 2020

cool kid musicians ebook by laura hamilton waxman hoopla - Dec 07 2022

web lightning bolt books kids in charge from starting their own businesses to creating inventions or finding success on stage these cool kids do it all meet online personality

cool kid musicians lightning bolt books kids in charge by laura - Jan 28 2022

web 3 562 followers 2 084 following 30 posts see instagram photos and videos from coolest kid music coolestkid music ug

cool kid musicians lightning bolt books kids in charge library - Jun 13 2023

web cool kid musicians lightning bolt books kids in charge waxman laura hamilton amazon in books

crazy band c town kid youtube - Nov 25 2021

cool kid musicians lightning bolt books kids in c pdf download - Mar 30 2022

web this kid is nutz the infamous band kid lets it all loose to the sweet jams of the c town band

lightning bolt books r kids in charge cool kid musicians - Nov 06 2022

web kids who dream of seeing their name in bright lights will devour this title cool kid actors show them how it s done back matter includes tips for readers to get started acting

cool kid musicians lightning bolt books kids in charge - Jan 08 2023

web jan 1 2020 cool kid musicians ebook lightning bolt books kids in charge by laura hamilton waxman read a sample format ebook isbn 9781541577046 series

read free juristische grundkurse zivilprozessrecht 1 erkenn - Mar 09 2023

web 1 juristische grundkurse zivilprozessrecht 1 erkenn zivilprozeßrecht jan 19 2023 der gütegedanke im römischen zivilprozessrecht sep 22 2020 zivilprozeßrecht apr 29

juristische grundkurse zivilprozessrecht 1 erkenn wrbb neu - Nov 05 2022

web 2 juristische grundkurse zivilprozessrecht 1 erkenn 2023 01 26 now in its second edition this authoritative work brings together the major instruments in this field

grundlagen zivilrecht videokurs hehenberger rechtskurse - Aug 02 2022

web video vorbereitung fall 1 werkvertrag teil 3 video lösung fall 1 werkvertrag sowiesokosten video lösung fall 1
werkvertrag 933a ivm 1167 video lösung fall

juristische grundkurse zivilprozessrecht 1 erkenntnisverfahren - May 11 2023

web juristische grundkurse zivilprozessrecht 1 erkenntnisverfahren by piet leckl zivilprozessrecht de april 16th 2020 find the
best information and most relevant links

juristische grundkurse zivilprozessrecht 1 erkenn book - Dec 26 2021

web 1 juristische grundkurse zivilprozessrecht 1 erkenn ungeschriebene korrekturinstrumente im zivilprozeßrecht jan 23
2021 rechtsschutzbedarf und treu

kurse zu zivilprozessrecht fortbildung 24 - Jan 07 2023

web kostenlos info anfordern details karte veranstalter termine bewertung spezielle rechtsberatung zivilrecht bürgerliches
recht handels und gesellschaftsrecht

juristische grundkurse zivilprozessrecht 1 erkenntnisverfahren - Jul 13 2023

web get the juristische grundkurse zivilprozessrecht 1 erkenntnisverfahren by piet leckl join that we have the funds for here
and check out the link this is also one of the

juristische grundkurse zivilprozessrecht 1 erkenntnisverfahren - Feb 08 2023

web juristische grundkurse zivilprozessrecht 1 erkenntnisverfahren by piet leckl june 1st 2020 juristische grundkurse
zivilprozessrecht 2 zwangsvollstreckung leckl piet isbn

jura online lernen juracademy de - Jun 12 2023

web 1 teil einführung in das zivilprozessrecht a grundlagen b ausgangsfall c internetrecherche d aktuelle reformen e
herausforderungen einer zpo prüfung 2

juristische grundkurse zivilprozessrecht 1 erkenntnisverfahren - Oct 04 2022

web oct 15 2023 juristische grundkurse zivilprozessrecht 1 zivilprozessrecht erkenntnisverfahren jura uni bielefeld moodle
lmu de alle kurse zivilprozessrecht von

download free juristische grundkurse zivilprozessrecht 1 erkenn - Apr 29 2022

web 1 juristische grundkurse zivilprozessrecht 1 erkenn grundkurs berufsrecht für die soziale arbeit nov 25 2022 in der
sozialen arbeit tätige menschen müssen sich mit

juristische grundkurse zivilprozessrecht 1 erkenn - Jul 01 2022

web juristische grundkurse zivilprozessrecht 1 erkenn as recognized adventure as competently as experience approximately
lesson amusement as well as conformity can

juristische grundkurse zivilprozessrecht 1 erkenntnisverfahren - Sep 15 2023

web das didaktische konzept der reihe juristische grundkurse kompakte leicht verständliche zusammenfassung des wesentlichen stoffes nachfolgend die anwendung des erlernten

juristische grundkurse zivilprozessrecht 1 erkenntnisverfahren - May 31 2022

web juristische grundkurse zivilprozessrecht 1 erkenntnisverfahren by piet leckl christoph g paulus author of a global view of business erkenntnisverfahren zivilprozessrecht online

zivilrechtsklausuren für anfänger jus juristische schulung - Apr 10 2023

web willkommen beim jus klausurfinder Über 1 200 jus fallbearbeitungen geordnet nach themen und problemschwerpunkten als jus abonnent haben sie zugriff auf den

juristische grundkurse zivilprozessrecht 1 erkenntnisverfahren - Sep 03 2022

web sep 18 2023 erkenntnisverfahren zivilprozessrecht online lernen juristische grundkurse zivilprozessrecht 2 zivilprozessrecht i lüke leseprobe studienliteratur

juristische grundkurse zivilprozessrecht 1 erkenn book - Oct 16 2023

web 1 juristische grundkurse zivilprozessrecht 1 erkenn 253 299a aug 11 2020 die kommentierung umfasst neben der zivilprozessordnung auch die relevanten

juristische grundkurse zivilprozessrecht 1 erkenn vps huratips - Feb 25 2022

web juristische grundkurse zivilprozessrecht 1 erkenn 3 3 under what conditions do different kinds of law emerge what are the bases of the rule of law ideal that marks

juristische grundkurse zivilprozessrecht 1 erkenn - Jan 27 2022

web 1 juristische grundkurse zivilprozessrecht 1 erkenn schwerpunktbereich arbeits und sozialrecht mar 30 2021 gegenstand der fallsammlung ist das examenswissen zur

juristische grundkurse zivilprozessrecht 1 amazon de - Aug 14 2023

web juristische grundkurse zivilprozessrecht 1 erkenntnisverfahren leckl piet amazon de bücher

juristische grundkurse zivilprozessrecht 1 erkenntnisverfahren - Nov 24 2021

web sep 4 2023 april 16th 2020 zivilprozessrecht 16^a edición münchen 2004 115 vi p 791 19 en relación con la vinculación entre jueces legos y verdad material ver s juristische

juristische grundkurse zivilprozessrecht 1 erkenntnisverfahren - Mar 29 2022

web wont be confused to enjoy every book gatherings juristische grundkurse zivilprozessrecht 1 erkenntnisverfahren by piet leckl that we will absolutely offer

juristische grundkurse zivilprozessrecht 1 erkenn pdf pdf tax - Dec 06 2022

web juristische grundkurse zivilprozessrecht 1 erkenn pdf pages 2 18 juristische grundkurse zivilprozessrecht 1 erkenn pdf
upload suny v williamson 2 18