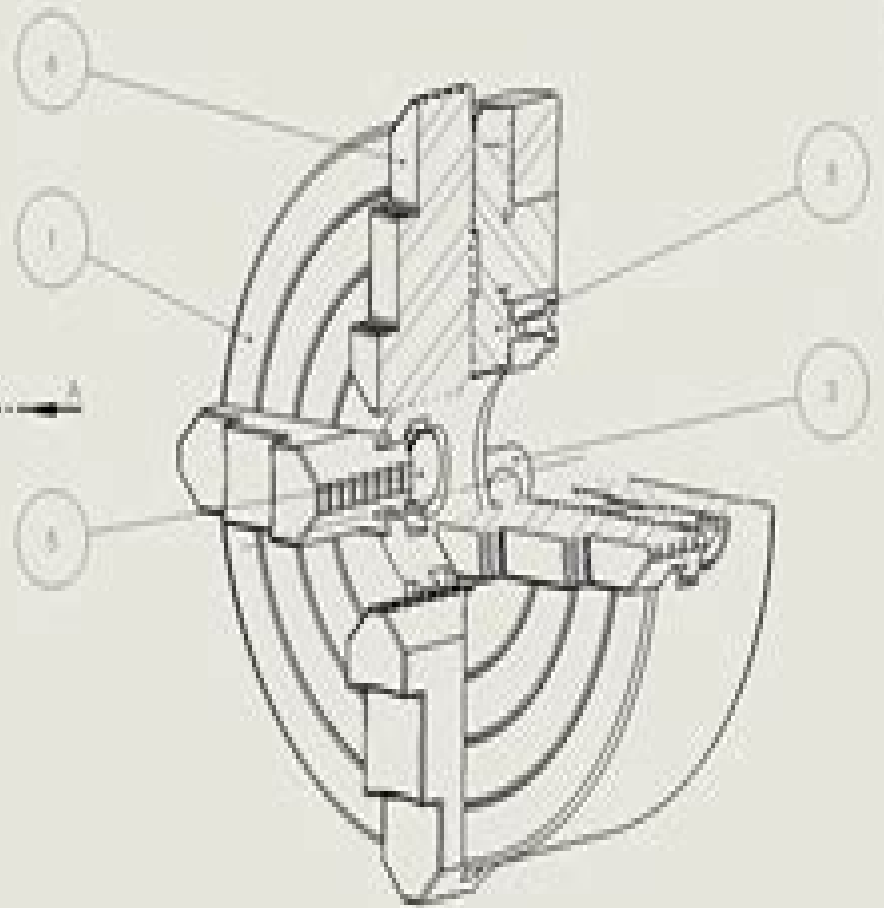
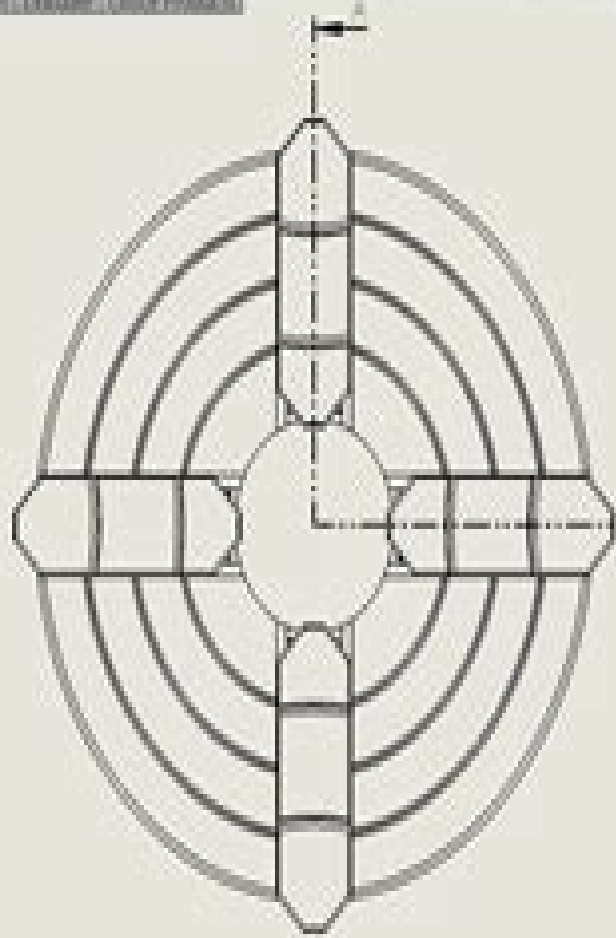


- Annotations
- Annotations
- Section View A-A



SECTION A-A  
SCALE: 1:1

# Drawing Section View Solidworks Savoi

**SB Merriam**



**Drawing Section View Solidworks Savoi:**

Delve into the emotional tapestry woven by in Experience **Drawing Section View Solidworks Savoi** . This ebook, available for download in a PDF format ( \*), is more than just words on a page; it's a journey of connection and profound emotion. Immerse yourself in narratives that tug at your heartstrings. Download now to experience the pulse of each page and let your emotions run wild.

[https://py.bijouxmedusa.com/data/scholarship/Download\\_PDFS/Morrison%20Boyd%20Chimica%20Organica.pdf](https://py.bijouxmedusa.com/data/scholarship/Download_PDFS/Morrison%20Boyd%20Chimica%20Organica.pdf)

## **Table of Contents Drawing Section View Solidworks Savoi**

1. Understanding the eBook Drawing Section View Solidworks Savoi
  - The Rise of Digital Reading Drawing Section View Solidworks Savoi
  - Advantages of eBooks Over Traditional Books
2. Identifying Drawing Section View Solidworks Savoi
  - Exploring Different Genres
  - Considering Fiction vs. Non-Fiction
  - Determining Your Reading Goals
3. Choosing the Right eBook Platform
  - Popular eBook Platforms
  - Features to Look for in an Drawing Section View Solidworks Savoi
  - User-Friendly Interface
4. Exploring eBook Recommendations from Drawing Section View Solidworks Savoi
  - Personalized Recommendations
  - Drawing Section View Solidworks Savoi User Reviews and Ratings
  - Drawing Section View Solidworks Savoi and Bestseller Lists
5. Accessing Drawing Section View Solidworks Savoi Free and Paid eBooks
  - Drawing Section View Solidworks Savoi Public Domain eBooks
  - Drawing Section View Solidworks Savoi eBook Subscription Services
  - Drawing Section View Solidworks Savoi Budget-Friendly Options

6. Navigating Drawing Section View Solidworks Savoi eBook Formats
  - ePub, PDF, MOBI, and More
  - Drawing Section View Solidworks Savoi Compatibility with Devices
  - Drawing Section View Solidworks Savoi Enhanced eBook Features
7. Enhancing Your Reading Experience
  - Adjustable Fonts and Text Sizes of Drawing Section View Solidworks Savoi
  - Highlighting and Note-Taking Drawing Section View Solidworks Savoi
  - Interactive Elements Drawing Section View Solidworks Savoi
8. Staying Engaged with Drawing Section View Solidworks Savoi
  - Joining Online Reading Communities
  - Participating in Virtual Book Clubs
  - Following Authors and Publishers Drawing Section View Solidworks Savoi
9. Balancing eBooks and Physical Books Drawing Section View Solidworks Savoi
  - Benefits of a Digital Library
  - Creating a Diverse Reading Collection Drawing Section View Solidworks Savoi
10. Overcoming Reading Challenges
  - Dealing with Digital Eye Strain
  - Minimizing Distractions
  - Managing Screen Time
11. Cultivating a Reading Routine Drawing Section View Solidworks Savoi
  - Setting Reading Goals Drawing Section View Solidworks Savoi
  - Carving Out Dedicated Reading Time
12. Sourcing Reliable Information of Drawing Section View Solidworks Savoi
  - Fact-Checking eBook Content of Drawing Section View Solidworks Savoi
  - Distinguishing Credible Sources
13. Promoting Lifelong Learning
  - Utilizing eBooks for Skill Development
  - Exploring Educational eBooks
14. Embracing eBook Trends
  - Integration of Multimedia Elements

- Interactive and Gamified eBooks

### **Drawing Section View Solidworks Savoi Introduction**

In this digital age, the convenience of accessing information at our fingertips has become a necessity. Whether its research papers, eBooks, or user manuals, PDF files have become the preferred format for sharing and reading documents. However, the cost associated with purchasing PDF files can sometimes be a barrier for many individuals and organizations. Thankfully, there are numerous websites and platforms that allow users to download free PDF files legally. In this article, we will explore some of the best platforms to download free PDFs. One of the most popular platforms to download free PDF files is Project Gutenberg. This online library offers over 60,000 free eBooks that are in the public domain. From classic literature to historical documents, Project Gutenberg provides a wide range of PDF files that can be downloaded and enjoyed on various devices. The website is user-friendly and allows users to search for specific titles or browse through different categories. Another reliable platform for downloading Drawing Section View Solidworks Savoi free PDF files is Open Library. With its vast collection of over 1 million eBooks, Open Library has something for every reader. The website offers a seamless experience by providing options to borrow or download PDF files. Users simply need to create a free account to access this treasure trove of knowledge. Open Library also allows users to contribute by uploading and sharing their own PDF files, making it a collaborative platform for book enthusiasts. For those interested in academic resources, there are websites dedicated to providing free PDFs of research papers and scientific articles. One such website is Academia.edu, which allows researchers and scholars to share their work with a global audience. Users can download PDF files of research papers, theses, and dissertations covering a wide range of subjects. Academia.edu also provides a platform for discussions and networking within the academic community. When it comes to downloading Drawing Section View Solidworks Savoi free PDF files of magazines, brochures, and catalogs, Issuu is a popular choice. This digital publishing platform hosts a vast collection of publications from around the world. Users can search for specific titles or explore various categories and genres. Issuu offers a seamless reading experience with its user-friendly interface and allows users to download PDF files for offline reading. Apart from dedicated platforms, search engines also play a crucial role in finding free PDF files. Google, for instance, has an advanced search feature that allows users to filter results by file type. By specifying the file type as "PDF," users can find websites that offer free PDF downloads on a specific topic. While downloading Drawing Section View Solidworks Savoi free PDF files is convenient, its important to note that copyright laws must be respected. Always ensure that the PDF files you download are legally available for free. Many authors and publishers voluntarily provide free PDF versions of their work, but its essential to be cautious and verify the authenticity of the source before downloading Drawing Section View Solidworks Savoi. In conclusion, the internet offers numerous platforms and websites that allow users to

download free PDF files legally. Whether its classic literature, research papers, or magazines, there is something for everyone. The platforms mentioned in this article, such as Project Gutenberg, Open Library, Academia.edu, and Issuu, provide access to a vast collection of PDF files. However, users should always be cautious and verify the legality of the source before downloading Drawing Section View Solidworks Savoi any PDF files. With these platforms, the world of PDF downloads is just a click away.

### FAQs About Drawing Section View Solidworks Savoi Books

How do I know which eBook platform is the best for me? Finding the best eBook platform depends on your reading preferences and device compatibility. Research different platforms, read user reviews, and explore their features before making a choice. Are free eBooks of good quality? Yes, many reputable platforms offer high-quality free eBooks, including classics and public domain works. However, make sure to verify the source to ensure the eBook credibility. Can I read eBooks without an eReader? Absolutely! Most eBook platforms offer web-based readers or mobile apps that allow you to read eBooks on your computer, tablet, or smartphone. How do I avoid digital eye strain while reading eBooks? To prevent digital eye strain, take regular breaks, adjust the font size and background color, and ensure proper lighting while reading eBooks. What the advantage of interactive eBooks? Interactive eBooks incorporate multimedia elements, quizzes, and activities, enhancing the reader engagement and providing a more immersive learning experience. Drawing Section View Solidworks Savoi is one of the best book in our library for free trial. We provide copy of Drawing Section View Solidworks Savoi in digital format, so the resources that you find are reliable. There are also many Ebooks of related with Drawing Section View Solidworks Savoi. Where to download Drawing Section View Solidworks Savoi online for free? Are you looking for Drawing Section View Solidworks Savoi PDF? This is definitely going to save you time and cash in something you should think about.

### Find Drawing Section View Solidworks Savoi :

~~morrison boyd chimica organica~~

**motor and diesel trade theory n2 question papers**

new headway elementary third edition student

my life with the saints

motorola ht1000 user manual

*modern control engineering ogata solution manual 4th edition*

**modern physics 6th edition tipler solutions manual pdf**

*motorcycle engineering pdf*

music of the hebrew people israeli and jewish songs for solo alto recorder with guitar chords the hargail folk anthology

**ndct cooling tower foundation design pdfslibforme**

**motor skills acquisition in the first year an illustrated guide to normal development by lois bly january 1 1994 paperback**

murachs mainframe cobol

*nc750x honda*

modern management concepts and skills student value edition 14th edition

**multivariate statistical analysis a conceptual introduction 2nd edition**

### **Drawing Section View Solidworks Savoi :**

Kairos: A Letter to My Daughter - Full Circle Be confident, courageous, and assertive. Take initiative and be resourceful. Follow your truth. With honor serve the world around you with a glad heart and a ... 7 Heartfelt Kairos Retreat Letter Examples To Inspire Your ... 1-Letter to a friend with humor: Dear [Friend's Name], · 2-Letter to a family member with vulnerability: · 3-Letter to God with humility: · 4-Letter to a mentor ... Top 7 Kairos Letter Examples (From Parents & More) Feb 23, 2023 — From Anyone (Friend, Family, or Colleague) ... Dear [name],. I bet you're having a great time at your Kairos retreat! It was such a wonderful ... What is a sample of a retreat letter? Feb 26, 2016 — Dear Sister in Christ, · Kathleen as of yet I have not met you, but I know I already love you. You are a pure and kind hearted woman to everyone. 20 Examples Of Kairos Letters From Parents Dec 8, 2019 — Examples Of Kairos Letters From Parents Luxury Mother Wants Her sons to Know the Meaning Love so She | Letter to son, Kairos, Letters. Sample Letters Of Affirmation For Kairos Retreat Welcome to our literary globe! Below at our magazine, we know the power of a good Sample. Letters Of Affirmation For Kairos Retreat review. Dear JR (a letter to my brother while he is at Kairos-a Catholic ... Dec 2, 2015 — You should always be confident because you are always enough. You are more than enough and you are so special. I am blessed beyond belief to ... Dear Charlie Jan 12, 2013 — I'm touched and honored that your mom asked me to be one of the people to write you a letter for your retreat. I wasn't familiar with the Kairos ... Kairos Letter #1 - If Memory Serves - WordPress.com May 29, 2011 — “Fritz, you are someone who I've always looked up to...hands down. I admire your incredible attitude and sense of humor, and I really value our ... Essentials of Abnormal Psychology Essentials of Abnormal Psychology. 7th Edition. ISBN-13: 978-1305633681, ISBN ... Fundamentals of Abnormal Psychology Fundamentals of Abnormal Psychology becomes the first abnormal psychology ... Worth Publishers; Seventh edition (March 11, 2013). Language, English. Paperback ... Bundle:

Essentials of Abnormal Psychology, ... Revised to reflect DSM-5, this briefer version of Durand and Barlow's widely used book fully describes abnormal psychology through the authors' ... Essentials of Abnormal Psychology 7th edition Essentials of Abnormal Psychology 7th Edition is written by V. Mark Durand; David H. Barlow and published by Cengage Learning. The Digital and eTextbook ... Essentials of Abnormal Psychology | Rent | 9781305094147 The original list price of Essentials of Abnormal Psychology 7th Edition (9781305094147) is around \$240 which could feel like a lot for a 3.45 pound book.

Essentials of Abnormal Psychology 7th Edition Books; Essentials of Abnormal Psychology. Essentials of Abnormal Psychology. by Vincent Mark Durand, David H. Barlow. Essentials of Abnormal Psychology. by ... eTextbook: Essentials of Abnormal Psychology, ... eTextbook: Essentials of Abnormal Psychology, 7th Edition ; Starting At \$74.95 ; Overview. EPUB EBK: ESSENTIALS OF ABNORMAL PSYCHOLOGY. Read More ; RETAIL \$74.95. Essentials of Abnormal Psychology 7th Find 9781305633681 Essentials of Abnormal Psychology 7th Edition by Durand et al at over 30 bookstores. Buy, rent or sell.

Essentials of Abnormal Psychology (MindTap Course List) ... Essentials of Abnormal Psychology (MindTap Course List) (7th Edition). by Vincent Mark Durand, David H. Barlow. Hardcover, 704 Pages, Published 2015. Essentials of Abnormal Psychology Vincent Mark ... Essentials of Abnormal Psychology Vincent Mark Durand, Barlow, David 7th edition ; Publication Year. 2016 ; Type. Textbook ; Accurate description. 5.0 ; Reasonable ... ENGINE Workshop Manual 4M4 (W-E) ENGINE. 4M40. 11A-0-1. GENERAL INFORMATION. 1. SPECIFICATIONS. GENERAL SPECIFICATIONS. SERVICE SPECIFICATIONS. TORQUE SPECIFICATIONS. SEALANT. 2. SPECIAL TOOLS. ENGINE Workshop Manual 4M4 (W E) 4M40 User Manual: 4M40. Open the PDF directly: View PDF PDF . Page Count: 130 [warning: Documents this large are best viewed by clicking the View PDF Link!] 4m40 Workshop Manual PDF 4m40 workshop manual.pdf - Free download as PDF File (.pdf) or read online for free. Mitsubishi Engine 4M40 Service Repair Manual PDF ONLINE - Mitsubishi Engine 4M40 Service Repair Manual. Mitsubishi Engine 4M40 Service Repair Manual. Mitsubishi 4M40 / 4M40T Engine Workshop Maintenance ... Engine Maintenance / Repair Manual Suitable For Vehicles / Machinery Running The Following Engine/s Mitsubishi 4M40. Mitsubishi Engine 4M40 Service Repair Manual | PDF Mitsubishi Engine 4M40 Service Repair Manual. Uploaded by. Quốc Phú Đình. 100%(1)100% found this document useful (1 vote). 537 views. 137 pages ... Mitsubishi Canter engine 4M40 Service Manual20200201 ... Shop Manual • Compiled for experienced technicians, this shop manual aims to provide technical information required for maintenance and repair of the machine. L400 Complete Workshop manual now available! Apr 30, 2020 — Like what the topic says: a full l400 workshop manual is available via the resources section. It's my google docs folder, download whatever ... SHOGUN Mitsubishi WORKSHOP & 2.8 TD 4M40 ENGINE ... PLUS Full Wiring Diagrams Showing Harnesses. Not just a Parts Manual or Service Manual. This is by far the best and easiest to use and Most Comprehensive ... 1998 Pajero 2.8d V36 4m40 Manual Jan 14, 2017 — 4M40 engine repair manual is online. PDF]ENGINE Workshop Manual 4M4 ... Mitsubishi Outlander repair manual. Outlander & Airtrek Forum. 1; 3K. M.