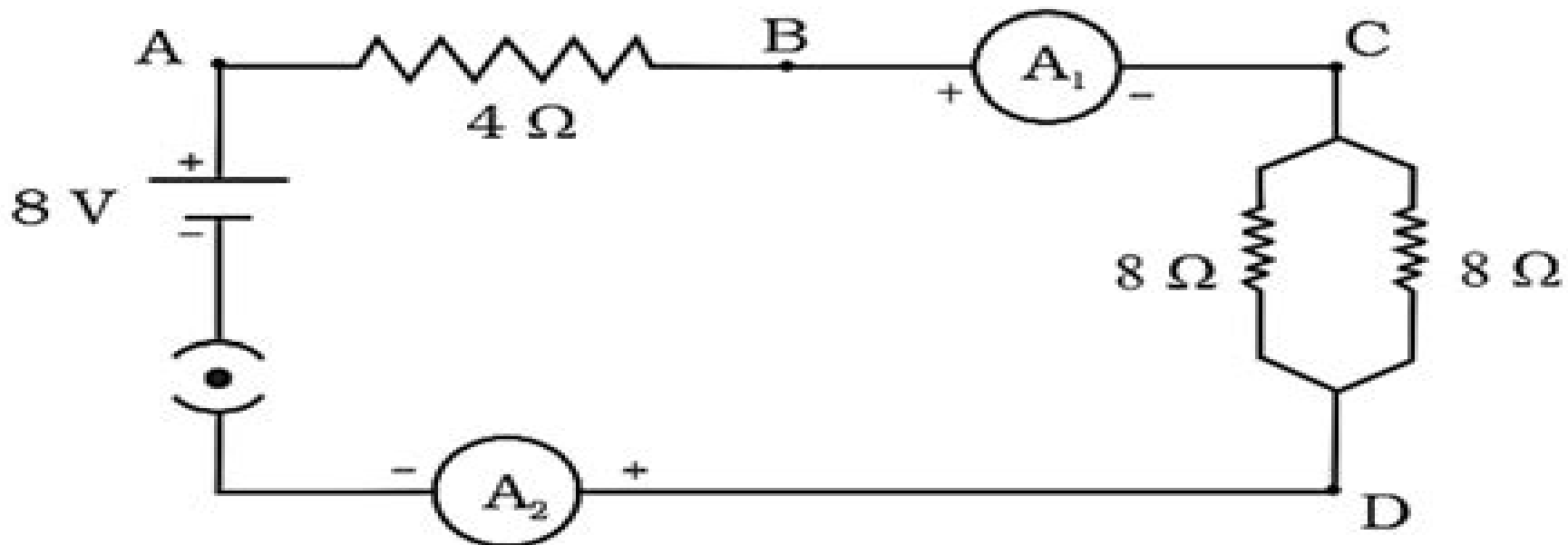


Extra Question

Find out the following in the electric circuit given in Figure 12.9

- Effective resistance of two $8\ \Omega$ resistors in the combination
- Current flowing through $4\ \Omega$ resistor
- Potential difference across $4\ \Omega$ resistance
- Power dissipated in $4\ \Omega$ resistor
- Difference in ammeter readings, if any.



Electrical Circuits Questions And Answers

G Orfield



Electrical Circuits Questions And Answers:

Electrical Circuits Analysis Questions and Answers PDF Arshad Iqbal, The Electrical Circuits Analysis Quiz Questions and Answers PDF Circuits Analysis Competitive Exam Questions Chapter 1 30 Practice Tests Class 8 12 Electronics Textbook Questions for Beginners includes revision guide for problem solving with hundreds of solved questions Electrical Circuits Analysis Questions and Answers PDF book covers basic concepts analytical and practical assessment tests Electrical Circuits Analysis Quiz PDF book helps to practice test questions from exam prep notes The Electrical Circuits Analysis Quiz Questions and Answers PDF e Book includes revision guide with verbal quantitative and analytical past papers solved tests Electrical Circuits Analysis Questions and Answers PDF Free download chapter 1 a book covers solved common questions and answers on chapters Applications of Laplace transform ac power ac power analysis amplifier and operational amplifier circuits analysis method applications of Laplace transform basic concepts basic laws capacitors and inductors circuit concepts circuit laws circuit theorems filters and resonance first order circuits Fourier series Fourier transform frequency response higher order circuits and complex frequency introduction to electric circuits introduction to Laplace transform magnetically coupled circuits methods of analysis mutual inductance and transformers operational amplifiers polyphase circuits second order circuits sinusoidal steady state analysis sinusoids and phasors three phase circuits two port networks waveform and signals tests for college and university revision guide Electronics Interview Questions and Answers PDF Download free eBook s sample covers beginner s solved questions textbook s study notes to practice online tests The Electrical Circuits Analysis Interview Questions Chapter 1 30 PDF book includes high school question papers to review practice tests for exams Electrical Circuits Analysis Practice Tests a textbook s revision guide with chapters tests for NEET Jobs Entry Level competitive exam Electrical Circuits Analysis Questions Bank Chapter 1 30 PDF book covers problem solving exam tests from electronics engineering textbook and practical eBook chapter wise as Chapter 1 AC Power Questions Chapter 2 AC Power Analysis Questions Chapter 3 Amplifier and Operational Amplifier Circuits Questions Chapter 4 Analysis Method Questions Chapter 5 Applications of Laplace Transform Questions Chapter 6 Basic Concepts Questions Chapter 7 Basic laws Questions Chapter 8 Capacitors and Inductors Questions Chapter 9 Circuit Concepts Questions Chapter 10 Circuit Laws Questions Chapter 11 Circuit Theorems Questions Chapter 12 Filters and Resonance Questions Chapter 13 First Order Circuits Questions Chapter 14 Fourier Series Questions Chapter 15 Fourier Transform Questions Chapter 16 Frequency Response Questions Chapter 17 Higher Order Circuits and Complex Frequency Questions Chapter 18 Introduction to Electric Circuits Questions Chapter 19 Introduction to Laplace Transform Questions Chapter 20 Magnetically Coupled Circuits Questions Chapter 21 Methods of Analysis Questions Chapter 22 Mutual Inductance and Transformers Questions Chapter 23 Operational Amplifiers Questions Chapter 24 Polyphase Circuits Questions Chapter 25 Second Order Circuits Questions Chapter 26 Sinusoidal Steady State Analysis Questions Chapter 27 Sinusoids and Phasors Questions Chapter 28 Three Phase

circuits Questions Chapter 29 Two Port Networks Questions Chapter 30 Waveform and Signals Questions The AC Power Quiz Questions PDF e Book Chapter 1 interview questions and answers on Apparent power and power factor applications average or real power complex power complex power apparent power and power triangle effective or RMS value exchange of energy between inductor and capacitor instantaneous and average power maximum power transfer power factor correction power factor improvement power in sinusoidal steady state power in time domain and reactive power The AC Power Analysis Quiz Questions PDF e Book Chapter 2 interview questions and answers on Apparent power and power factor applications complex power effective or RMS value instantaneous and average power and power factor correction The Amplifier and Operational Amplifier Circuits Quiz Questions PDF e Book Chapter 3 interview questions and answers on Amplifiers introduction analog computers comparators differential and difference amplifier integrator and differentiator circuits inverting circuits low pass filters non inverting circuits operational amplifiers summing circuits and voltage follower The Analysis Method Quiz Questions PDF e Book Chapter 4 interview questions and answers on Branch current method maximum power transfer theorem mesh current method Millman s theorem node voltage method Norton s theorem superposition theorem and Thevenin s theorem The Applications of Laplace Transform Quiz Questions PDF e Book Chapter 5 interview questions and answers on Circuit analysis introduction network stability network synthesis and state variables The Basic Concepts Quiz Questions PDF e Book Chapter 6 interview questions and answers on Applications charge and current circuit elements power and energy system of units and voltage The Basic Laws Quiz Questions PDF e Book Chapter 7 interview questions and answers on Applications Kirchhoff s laws nodes branches and loops Ohm s law series resistors and voltage division The Capacitors and Inductors Quiz Questions PDF e Book Chapter 8 interview questions and answers on capacitors differentiator inductors integrator and resistivity The Circuit Concepts Quiz Questions PDF e Book Chapter 9 interview questions and answers on Capacitance inductance non linear resistors passive and active elements resistance sign conventions and voltage current relations The Circuit Laws Quiz Questions PDF e Book Chapter 10 interview questions and answers on Introduction to circuit laws Kirchhoff s current law and Kirchhoff s voltage law The Circuit Theorems Quiz Questions PDF e Book Chapter 11 interview questions and answers on Kirchhoff s law linearity property maximum power transfer Norton s theorem resistance measurement source transformation superposition and thevenin s theorem The Filters and Resonance Quiz Questions PDF e Book Chapter 12 interview questions and answers on Band pass filter and resonance frequency response half power frequencies high pass and low pass networks ideal and practical filters natural frequency and damping ratio passive and active filters The First Order Circuits Quiz Questions PDF e Book Chapter 13 interview questions and answers on Applications capacitor discharge in a resistor establishing a DC voltage across a capacitor introduction singularity functions source free RL circuit source free RC circuit source free RL circuit step and impulse responses in RC circuits step response of an RC circuit step response of an RL circuit transient analysis with PSPICE and transitions at switching time The Fourier

Series Quiz Questions PDF e Book Chapter 14 interview questions and answers on Applications average power and RMS values symmetry considerations and trigonometric Fourier series The Fourier transform Quiz Questions PDF e Book Chapter 15 interview questions and answers on applications The Frequency Response Quiz Questions PDF e Book Chapter 16 interview questions and answers on Active filters applications bode plots decibel scale introduction passive filters scaling series resonance and transfer function The Higher Order Circuits and Complex Frequency Quiz Questions PDF e Book Chapter 17 interview questions and answers on Complex frequency generalized impedance in s domain parallel RLC circuit and series RLC circuit The Introduction to Electric Circuits Quiz Questions PDF e Book Chapter 18 interview questions and answers on Constant and variable function electric charge and current electric potential electric quantities and SI units energy and electrical power force work and power The Introduction to Laplace Transform Quiz Questions PDF e Book Chapter 19 interview questions and answers on Convolution integral The Magnetically Coupled Circuits Quiz Questions PDF e Book Chapter 20 interview questions and answers on Energy in coupled circuit ideal autotransformers ideal transformers linear transformers and mutual inductance The Methods of Analysis Quiz Questions PDF e Book Chapter 21 interview questions and answers on Applications circuit analysis with PSPICE mesh analysis mesh analysis with current sources nodal analysis nodal and mesh analysis by inception The Mutual Inductance and Transformers Quiz Questions PDF e Book Chapter 22 interview questions and answers on Analysis of coupling coil auto transformer conductivity coupled equivalent circuits coupling coefficient dot rule energy in a pair of coupled coils ideal transformer linear transformer and mutual inductance The Operational Amplifiers Quiz Questions PDF e Book Chapter 23 interview questions and answers on Cascaded op amp circuits difference amplifier ideal op amp instrumentation amplifier introduction inverting amplifier noninverting amplifier operational amplifiers and summing amplifier The Polyphaser Circuits Quiz Questions PDF e Book Chapter 24 interview questions and answers on Balanced delta connected load balanced wye connected load equivalent y and delta connections phasor voltages two wattmeter method three phase power three phase systems two phase systems unbalanced delta connected load unbalanced y connected load wye and delta systems The Second Order Circuits Quiz Questions PDF e Book Chapter 25 interview questions and answers on Second order op amp circuits applications duality introduction and source free series RLC circuit The Sinusoidal Steady State Analysis Quiz Questions PDF e Book Chapter 26 interview questions and answers on Element responses impedance and admittance mesh analysis nodal analysis op amp ac circuits oscillators phasors voltage and current division in frequency domain The Sinusoids and Phasors Quiz Questions PDF e Book Chapter 27 interview questions and answers on Applications impedance and admittance impedance combinations introduction phasor relationships for circuit elements phasors and sinusoids The Three Phase Circuits Quiz Questions PDF e Book Chapter 28 interview questions and answers on Applications balanced delta delta connection balanced three phase voltages balanced wye delta connection balanced wye wye connection power in balanced system and unbalanced three phase system The Two

Port Networks Quiz Questions PDF e Book Chapter 29 interview questions and answers on Admittance parameters g parameters h parameters hybrid parameters impedance parameters interconnection of networks interconnection of two port networks introduction pi equivalent t parameters terminals and ports transmission parameters two port network y parameters and z parameters The Waveform and Signals Quiz Questions PDF e Book Chapter 30 interview questions and answers on Average and effective RMS values combination of periodic functions exponential function non periodic functions periodic functions random signals sinusoidal functions time shift and phase shift trigonometric identities unit impulse function and unit step function

Electrical Circuit Analysis MCQ (Multiple Choice Questions) Arshad Iqbal, The Electrical Circuit Analysis Multiple Choice Questions MCQ Quiz with Answers PDF Electrical Circuit Analysis MCQ PDF Download Quiz Questions Chapter 1 30 Practice Tests with Answer Key Electronics Questions Bank MCQs Notes includes revision guide for problem solving with hundreds of solved MCQs Electrical Circuit Analysis MCQ with Answers PDF book covers basic concepts analytical and practical assessment tests Electrical Circuit Analysis MCQ PDF book helps to practice test questions from exam prep notes The Electrical Circuit Analysis MCQs with Answers PDF eBook includes revision guide with verbal quantitative and analytical past papers solved MCQs Electrical Circuit Analysis Multiple Choice Questions and Answers MCQs PDF Free download chapter 1 a book covers solved quiz questions and answers on chapters Applications of Laplace transform ac power ac power analysis amplifier and operational amplifier circuits analysis method applications of Laplace transform basic concepts basic laws capacitors and inductors circuit concepts circuit laws circuit theorems filters and resonance first order circuits Fourier series Fourier transform frequency response higher order circuits and complex frequency introduction to electric circuits introduction to Laplace transform magnetically coupled circuits methods of analysis mutual inductance and transformers operational amplifiers polyphase circuits second order circuits sinusoidal steady state analysis sinusoids and phasors three phase circuits two port networks waveform and signals tests for college and university revision guide Electrical Circuit Analysis Quiz Questions and Answers PDF free download eBook s sample covers beginner s solved questions textbook s study notes to practice online tests The book Electrical Circuit Analysis MCQs Chapter 1 30 PDF includes high school question papers to review practice tests for exams Electrical Circuit Analysis Multiple Choice Questions MCQ with Answers PDF digital edition eBook a study guide with textbook chapters tests for NEET Jobs Entry Level competitive exam Electrical Circuit Analysis Mock Tests Chapter 1 30 eBook covers problem solving exam tests from electronics engineering textbook and practical eBook chapter wise as Chapter 1 AC Power MCQ Chapter 2 AC Power Analysis MCQ Chapter 3 Amplifier and Operational Amplifier Circuits MCQ Chapter 4 Analysis Method MCQ Chapter 5 Applications of Laplace Transform MCQ Chapter 6 Basic Concepts MCQ Chapter 7 Basic laws MCQ Chapter 8 Capacitors and Inductors MCQ Chapter 9 Circuit Concepts MCQ Chapter 10 Circuit Laws MCQ Chapter 11 Circuit Theorems MCQ Chapter 12 Filters and Resonance MCQ Chapter 13 First Order Circuits MCQ Chapter 14 Fourier Series MCQ Chapter 15 Fourier

Transform MCQ Chapter 16 Frequency Response MCQ Chapter 17 Higher Order Circuits and Complex Frequency MCQ Chapter 18 Introduction to Electric Circuits MCQ Chapter 19 Introduction to Laplace Transform MCQ Chapter 20 Magnetically Coupled Circuits MCQ Chapter 21 Methods of Analysis MCQ Chapter 22 Mutual Inductance and Transformers MCQ Chapter 23 Operational Amplifiers MCQ Chapter 24 Polyphase Circuits MCQ Chapter 25 Second Order Circuits MCQ Chapter 26 Sinusoidal Steady State Analysis MCQ Chapter 27 Sinusoids and Phasors MCQ Chapter 28 Three Phase circuits MCQ Chapter 29 Two Port Networks MCQ Chapter 30 Waveform and Signals MCQ The AC Power MCQ PDF e Book Chapter 1 practice test to solve MCQ questions on Apparent power and power factor applications average or real power complex power complex power apparent power and power triangle effective or RMS value exchange of energy between inductor and capacitor instantaneous and average power maximum power transfer power factor correction power factor improvement power in sinusoidal steady state power in time domain and reactive power The AC Power Analysis MCQ PDF e Book Chapter 2 practice test to solve MCQ questions on Apparent power and power factor applications complex power effective or RMS value instantaneous and average power and power factor correction The Amplifier and Operational Amplifier Circuits MCQ PDF e Book Chapter 3 practice test to solve MCQ questions on Amplifiers introduction analog computers comparators differential and difference amplifier integrator and differentiator circuits inverting circuits low pass filters non inverting circuits operational amplifiers summing circuits and voltage follower The Analysis Method MCQ PDF e Book Chapter 4 practice test to solve MCQ questions on Branch current method maximum power transfer theorem mesh current method Millman s theorem node voltage method Norton s theorem superposition theorem and Thevenin s theorem The Applications of Laplace Transform MCQ PDF e Book Chapter 5 practice test to solve MCQ questions on Circuit analysis introduction network stability network synthesis and state variables The Basic Concepts MCQ PDF e Book Chapter 6 practice test to solve MCQ questions on Applications charge and current circuit elements power and energy system of units and voltage The Basic Laws MCQ PDF e Book Chapter 7 practice test to solve MCQ questions on Applications Kirchhoff s laws nodes branches and loops Ohm s law series resistors and voltage division The Capacitors and Inductors MCQ PDF e Book Chapter 8 practice test to solve MCQ questions on capacitors differentiator inductors integrator and resistivity The Circuit Concepts MCQ PDF e Book Chapter 9 practice test to solve MCQ questions on Capacitance inductance non linear resistors passive and active elements resistance sign conventions and voltage current relations The Circuit Laws MCQ PDF e Book Chapter 10 practice test to solve MCQ questions on Introduction to circuit laws Kirchhoff s current law and Kirchhoff s voltage law The Circuit Theorems MCQ PDF e Book Chapter 11 practice test to solve MCQ questions on Kirchhoff s law linearity property maximum power transfer Norton s theorem resistance measurement source transformation superposition and the venin s theorem The Filters and Resonance MCQ PDF e Book Chapter 12 practice test to solve MCQ questions on Band pass filter and resonance frequency response half power frequencies high pass and low pass networks ideal and practical filters natural frequency and

damping ratio passive and active filters The First Order Circuits MCQ PDF e Book Chapter 13 practice test to solve MCQ questions on Applications capacitor discharge in a resistor establishing a DC voltage across a capacitor introduction singularity functions source free RL circuit source free RC circuit source free RL circuit step and impulse responses in RC circuits step response of an RC circuit step response of an RL circuit transient analysis with PSPICE and transitions at switching time The Fourier Series MCQ PDF e Book Chapter 14 practice test to solve MCQ questions on Applications average power and RMS values symmetry considerations and trigonometric Fourier series The Fourier transform MCQ PDF e Book Chapter 15 practice test to solve MCQ questions on applications The Frequency Response MCQ PDF e Book Chapter 16 practice test to solve MCQ questions on Active filters applications bode plots decibel scale introduction passive filters scaling series resonance and transfer function The Higher Order Circuits and Complex Frequency MCQ PDF e Book Chapter 17 practice test to solve MCQ questions on Complex frequency generalized impedance in s domain parallel RLC circuit and series RLC circuit The Introduction to Electric Circuits MCQ PDF e Book Chapter 18 practice test to solve MCQ questions on Constant and variable function electric charge and current electric potential electric quantities and SI units energy and electrical power force work and power The Introduction to Laplace Transform MCQ PDF e Book Chapter 19 practice test to solve MCQ questions on Convolution integral The Magnetically Coupled Circuits MCQ PDF e Book Chapter 20 practice test to solve MCQ questions on Energy in coupled circuit ideal autotransformers ideal transformers linear transformers and mutual inductance The Methods of Analysis MCQ PDF e Book Chapter 21 practice test to solve MCQ questions on Applications circuit analysis with PSPICE mesh analysis mesh analysis with current sources nodal analysis nodal and mesh analysis by inception The Mutual Inductance and Transformers MCQ PDF e Book Chapter 22 practice test to solve MCQ questions on Analysis of coupling coil auto transformer conductivity coupled equivalent circuits coupling coefficient dot rule energy in a pair of coupled coils ideal transformer linear transformer and mutual inductance The Operational Amplifiers MCQ PDF e Book Chapter 23 practice test to solve MCQ questions on Cascaded op amp circuits difference amplifier ideal op amp instrumentation amplifier introduction inverting amplifier noninverting amplifier operational amplifiers and summing amplifier The Polyphaser Circuits MCQ PDF e Book Chapter 24 practice test to solve MCQ questions on Balanced delta connected load balanced wye connected load equivalent y and delta connections phasor voltages the two wattmeter method three phase power three phase systems two phase systems unbalanced delta connected load unbalanced y connected load wye and delta systems The Second Order Circuits MCQ PDF e Book Chapter 25 practice test to solve MCQ questions on Second order op amp circuits applications duality introduction and source free series RLC circuit The Sinusoidal Steady State Analysis MCQ PDF e Book Chapter 26 practice test to solve MCQ questions on Element responses impedance and admittance mesh analysis nodal analysis op amp ac circuits oscillators phasors voltage and current division in frequency domain The Sinusoids and Phasors MCQ PDF e Book Chapter 27 practice test to solve MCQ questions on Applications impedance and

admittance impedance combinations introduction phasor relationships for circuit elements phasors and sinusoids The Three Phase Circuits MCQ PDF e Book Chapter 28 practice test to solve MCQ questions on Applications balanced delta delta connection balanced three phase voltages balanced wye delta connection balanced wye wye connection power in balanced system and un balanced three phase system The Two Port Networks MCQ PDF e Book Chapter 29 practice test to solve MCQ questions on Admittance parameters g parameters h parameters hybrid parameters impedance parameters interconnection of networks interconnection of two port networks introduction pi equivalent t parameters terminals and ports transmission parameters two port network y parameters and z parameters The Waveform and Signals MCQ PDF e Book Chapter 30 practice test to solve MCQ questions on Average and effective RMS values combination of periodic functions exponential function non periodic functions periodic functions random signals sinusoidal functions time shift and phase shift trigonometric identities unit impulse function and unit step function

Electric Circuit Problems with Solutions F. A. Benson, 1975-04-24 Electrical engineering and electronic engineering students have frequently to resolve and simplify quite complex circuits in order to understand them or to obtain numerical results and a sound knowledge of basic circuit theory is therefore essential The author is very much in favour of tutorials and the solving of problems as a method of education Experience shows that many engineering students encounter difficulties when they first apply their theoretical knowledge to practical problems Over a period of about twenty years the author has collected a large number of problems on electric circuits while giving lectures to students attending the first two post intermediate years of University engineering courses The purpose of this book is to present these problems a total of 365 together with many solutions some problems with answers given at the end of each Chapter are left as student exercises in the hope that they will prove of value to other teachers and students Solutions are separated from the problems so that they will not be seen by accident The answer is given at the end of each problem however for convenience Parts of the book are based on the author's previous work **Electrical Engineering Problems with Solutions** which was published in 1954

Questions and Answers about Electrical Apparatus William Brasher Clayton, James Watt Craig, 1909

2016 / 2017 ASVAB For Dummies with Online Practice Rod Powers, 2016-06-20 7 online practice tests one year access to six full length ASVAB practice exams and one AFQT exam Cover *2020 / 2021 ASVAB For Dummies with Online Practice* Angie Papple Johnston, 2020-03-19 Ready to ace the ASVAB Dummies can help Year after year ASVAB For Dummies has been the 1 ASVAB test prep book on the market And now it's expanded and improved for 2020 2021 Packed with plenty of practice questions practice tests flashcards and videos 2020 2021 ASVAB For Dummies provides an in depth review of every subtest strategy cheat sheets proven study tips and test taking tactics Go online to find six full length ASVAB practice tests and one AFQT practice test instructional videos and hundreds of flashcards to help you prepare for exam day Earn your highest score and qualify for the military job you want Boost your math science and English performance Review all nine subject areas in advance of test day View free online

videos hosted by the author Quiz yourself with hundreds of flashcards Get the latest information with completely updated Auto Shop and Mechanical Comprehension content If you re a military hopeful looking to set yourself up for the best career possible this ultimate ASVAB prep package is the key to unlocking your full potential *Electric Circuits* David A. Bell,1994
Electricity and Engineering ,1914 **Electrical Engineering** ,1914 **How to be Brilliant at Electricity, Light and Sound** , *Electrical World* ,1891 The Electrical World ,1895 3,000 Solved Problems in Electrical Circuits Syed A. Nasar,1988-01-22 Schaum s powerful problem solver gives you 3 000 problems in electric circuits fully solved step by step The originator of the solved problem guide and students favorite with over 30 million study guides sold Schaum s offers a diagram packed timesaver to help you master every type of problem you ll face on tests Problems cover every area of electric circuits from basic units to complex multi phase circuits two port networks and the use of Laplace transforms Go directly to the answers and diagrams you need with our detailed cross referenced index Compatible with any classroom text Schaum s 3000 Solved Problems in Electric Circuits is so complete it s the perfect tool for graduate or professional exam prep
Computer Simulated Experiments for Electric Circuits Using Electronics Workbench Richard Henry Berube,2000 This laboratory manual uses Electronics Workbench to simulate actual lab experiments on a computer Berube Community College of Rhode Island designed the experiments to help reinforce the classroom theory in a dc and ac electric circuits course including discussions of nodal voltage circuit analy **Railway Electrical Engineer** ,1930 **Computer Simulated Experiments for Electric Circuits Using Electronics Workbench Multisim** Richard Henry Berube,2004 For courses in Electric Circuits This unique and innovative laboratory manual helps students learn and understand circuit analysis concepts by using Electronic Workbench software to simulate actual laboratory experiments on a computer Students work with circuits drawn on the computer screen and with simulated instruments that act like actual laboratory instruments Circuits can be modified easily with on screen editing and analysis results provide fast accurate feedback Hands on in approach throughout in both interactive experiments and a series of questions about the results of each experiment it is more cost effective safer and more thorough and efficient than using hardwired experiments This lab manual can be sold for use with any DC AC text Note This book no longer comes with a CD Any reference to a CD within the book is out of date and will be updated on our next printing The information from the CD is available online <http://media.pearsoncmg.com> ph chet chet_electronics_student_1 Click on Older Titles **Electrical Merchandising Week** ,1924 Includes annually 1961 Home goods data book **Industrial Engineering** George Worthington,1923 **Circuit Analysis (for Anna University)** Gnanasivam, **Electricity** ,1895

The book delves into Electrical Circuits Questions And Answers. Electrical Circuits Questions And Answers is a vital topic that must be grasped by everyone, from students and scholars to the general public. This book will furnish comprehensive and in-depth insights into Electrical Circuits Questions And Answers, encompassing both the fundamentals and more intricate discussions.

1. This book is structured into several chapters, namely:
 - Chapter 1: Introduction to Electrical Circuits Questions And Answers
 - Chapter 2: Essential Elements of Electrical Circuits Questions And Answers
 - Chapter 3: Electrical Circuits Questions And Answers in Everyday Life
 - Chapter 4: Electrical Circuits Questions And Answers in Specific Contexts
 - Chapter 5: Conclusion
 2. In chapter 1, this book will provide an overview of Electrical Circuits Questions And Answers. This chapter will explore what Electrical Circuits Questions And Answers is, why Electrical Circuits Questions And Answers is vital, and how to effectively learn about Electrical Circuits Questions And Answers.
 3. In chapter 2, this book will delve into the foundational concepts of Electrical Circuits Questions And Answers. The second chapter will elucidate the essential principles that need to be understood to grasp Electrical Circuits Questions And Answers in its entirety.
 4. In chapter 3, this book will examine the practical applications of Electrical Circuits Questions And Answers in daily life. The third chapter will showcase real-world examples of how Electrical Circuits Questions And Answers can be effectively utilized in everyday scenarios.
 5. In chapter 4, this book will scrutinize the relevance of Electrical Circuits Questions And Answers in specific contexts. The fourth chapter will explore how Electrical Circuits Questions And Answers is applied in specialized fields, such as education, business, and technology.
 6. In chapter 5, the author will draw a conclusion about Electrical Circuits Questions And Answers. This chapter will summarize the key points that have been discussed throughout the book.
- The book is crafted in an easy-to-understand language and is complemented by engaging illustrations. This book is highly recommended for anyone seeking to gain a comprehensive understanding of Electrical Circuits Questions And Answers.

https://py.bijouxmedusa.com/files/Resources/fetch.php/usa_89_553_interview_tips_case_study_for_entrepreneurs_89_1452_interview.pdf

Table of Contents Electrical Circuits Questions And Answers

1. Understanding the eBook Electrical Circuits Questions And Answers
 - The Rise of Digital Reading Electrical Circuits Questions And Answers
 - Advantages of eBooks Over Traditional Books
2. Identifying Electrical Circuits Questions And Answers
 - Exploring Different Genres
 - Considering Fiction vs. Non-Fiction
 - Determining Your Reading Goals
3. Choosing the Right eBook Platform
 - Popular eBook Platforms
 - Features to Look for in an Electrical Circuits Questions And Answers
 - User-Friendly Interface
4. Exploring eBook Recommendations from Electrical Circuits Questions And Answers
 - Personalized Recommendations
 - Electrical Circuits Questions And Answers User Reviews and Ratings
 - Electrical Circuits Questions And Answers and Bestseller Lists
5. Accessing Electrical Circuits Questions And Answers Free and Paid eBooks
 - Electrical Circuits Questions And Answers Public Domain eBooks
 - Electrical Circuits Questions And Answers eBook Subscription Services
 - Electrical Circuits Questions And Answers Budget-Friendly Options
6. Navigating Electrical Circuits Questions And Answers eBook Formats
 - ePub, PDF, MOBI, and More
 - Electrical Circuits Questions And Answers Compatibility with Devices
 - Electrical Circuits Questions And Answers Enhanced eBook Features
7. Enhancing Your Reading Experience
 - Adjustable Fonts and Text Sizes of Electrical Circuits Questions And Answers
 - Highlighting and Note-Taking Electrical Circuits Questions And Answers
 - Interactive Elements Electrical Circuits Questions And Answers

8. Staying Engaged with Electrical Circuits Questions And Answers
 - Joining Online Reading Communities
 - Participating in Virtual Book Clubs
 - Following Authors and Publishers Electrical Circuits Questions And Answers
9. Balancing eBooks and Physical Books Electrical Circuits Questions And Answers
 - Benefits of a Digital Library
 - Creating a Diverse Reading Collection Electrical Circuits Questions And Answers
10. Overcoming Reading Challenges
 - Dealing with Digital Eye Strain
 - Minimizing Distractions
 - Managing Screen Time
11. Cultivating a Reading Routine Electrical Circuits Questions And Answers
 - Setting Reading Goals Electrical Circuits Questions And Answers
 - Carving Out Dedicated Reading Time
12. Sourcing Reliable Information of Electrical Circuits Questions And Answers
 - Fact-Checking eBook Content of Electrical Circuits Questions And Answers
 - Distinguishing Credible Sources
13. Promoting Lifelong Learning
 - Utilizing eBooks for Skill Development
 - Exploring Educational eBooks
14. Embracing eBook Trends
 - Integration of Multimedia Elements
 - Interactive and Gamified eBooks

Electrical Circuits Questions And Answers Introduction

In the digital age, access to information has become easier than ever before. The ability to download Electrical Circuits Questions And Answers has revolutionized the way we consume written content. Whether you are a student looking for course material, an avid reader searching for your next favorite book, or a professional seeking research papers, the option to download Electrical Circuits Questions And Answers has opened up a world of possibilities. Downloading Electrical Circuits Questions And Answers provides numerous advantages over physical copies of books and documents. Firstly, it is

incredibly convenient. Gone are the days of carrying around heavy textbooks or bulky folders filled with papers. With the click of a button, you can gain immediate access to valuable resources on any device. This convenience allows for efficient studying, researching, and reading on the go. Moreover, the cost-effective nature of downloading Electrical Circuits Questions And Answers has democratized knowledge. Traditional books and academic journals can be expensive, making it difficult for individuals with limited financial resources to access information. By offering free PDF downloads, publishers and authors are enabling a wider audience to benefit from their work. This inclusivity promotes equal opportunities for learning and personal growth. There are numerous websites and platforms where individuals can download Electrical Circuits Questions And Answers. These websites range from academic databases offering research papers and journals to online libraries with an expansive collection of books from various genres. Many authors and publishers also upload their work to specific websites, granting readers access to their content without any charge. These platforms not only provide access to existing literature but also serve as an excellent platform for undiscovered authors to share their work with the world. However, it is essential to be cautious while downloading Electrical Circuits Questions And Answers. Some websites may offer pirated or illegally obtained copies of copyrighted material. Engaging in such activities not only violates copyright laws but also undermines the efforts of authors, publishers, and researchers. To ensure ethical downloading, it is advisable to utilize reputable websites that prioritize the legal distribution of content. When downloading Electrical Circuits Questions And Answers, users should also consider the potential security risks associated with online platforms. Malicious actors may exploit vulnerabilities in unprotected websites to distribute malware or steal personal information. To protect themselves, individuals should ensure their devices have reliable antivirus software installed and validate the legitimacy of the websites they are downloading from. In conclusion, the ability to download Electrical Circuits Questions And Answers has transformed the way we access information. With the convenience, cost-effectiveness, and accessibility it offers, free PDF downloads have become a popular choice for students, researchers, and book lovers worldwide. However, it is crucial to engage in ethical downloading practices and prioritize personal security when utilizing online platforms. By doing so, individuals can make the most of the vast array of free PDF resources available and embark on a journey of continuous learning and intellectual growth.

FAQs About Electrical Circuits Questions And Answers Books

How do I know which eBook platform is the best for me? Finding the best eBook platform depends on your reading preferences and device compatibility. Research different platforms, read user reviews, and explore their features before making a choice. Are free eBooks of good quality? Yes, many reputable platforms offer high-quality free eBooks, including

classics and public domain works. However, make sure to verify the source to ensure the eBook credibility. Can I read eBooks without an eReader? Absolutely! Most eBook platforms offer webbased readers or mobile apps that allow you to read eBooks on your computer, tablet, or smartphone. How do I avoid digital eye strain while reading eBooks? To prevent digital eye strain, take regular breaks, adjust the font size and background color, and ensure proper lighting while reading eBooks. What the advantage of interactive eBooks? Interactive eBooks incorporate multimedia elements, quizzes, and activities, enhancing the reader engagement and providing a more immersive learning experience. Electrical Circuits Questions And Answers is one of the best book in our library for free trial. We provide copy of Electrical Circuits Questions And Answers in digital format, so the resources that you find are reliable. There are also many Ebooks of related with Electrical Circuits Questions And Answers. Where to download Electrical Circuits Questions And Answers online for free? Are you looking for Electrical Circuits Questions And Answers PDF? This is definitely going to save you time and cash in something you should think about. If you trying to find then search around for online. Without a doubt there are numerous these available and many of them have the freedom. However without doubt you receive whatever you purchase. An alternate way to get ideas is always to check another Electrical Circuits Questions And Answers. This method for see exactly what may be included and adopt these ideas to your book. This site will almost certainly help you save time and effort, money and stress. If you are looking for free books then you really should consider finding to assist you try this. Several of Electrical Circuits Questions And Answers are for sale to free while some are payable. If you arent sure if the books you would like to download works with for usage along with your computer, it is possible to download free trials. The free guides make it easy for someone to free access online library for download books to your device. You can get free download on free trial for lots of books categories. Our library is the biggest of these that have literally hundreds of thousands of different products categories represented. You will also see that there are specific sites catered to different product types or categories, brands or niches related with Electrical Circuits Questions And Answers. So depending on what exactly you are searching, you will be able to choose e books to suit your own need. Need to access completely for Campbell Biology Seventh Edition book? Access Ebook without any digging. And by having access to our ebook online or by storing it on your computer, you have convenient answers with Electrical Circuits Questions And Answers To get started finding Electrical Circuits Questions And Answers, you are right to find our website which has a comprehensive collection of books online. Our library is the biggest of these that have literally hundreds of thousands of different products represented. You will also see that there are specific sites catered to different categories or niches related with Electrical Circuits Questions And Answers So depending on what exactly you are searching, you will be able tochoose ebook to suit your own need. Thank you for reading Electrical Circuits Questions And Answers. Maybe you have knowledge that, people have search numerous times for their favorite readings like this Electrical Circuits Questions And Answers, but end up in harmful downloads. Rather than reading a good book with a cup of coffee in the

afternoon, instead they juggled with some harmful bugs inside their laptop. Electrical Circuits Questions And Answers is available in our book collection an online access to it is set as public so you can download it instantly. Our digital library spans in multiple locations, allowing you to get the most less latency time to download any of our books like this one. Merely said, Electrical Circuits Questions And Answers is universally compatible with any devices to read.

Find Electrical Circuits Questions And Answers :

USA 89-553 interview tips case study for entrepreneurs 89-1452 interview entrepreneurs 89-703 passive income ideas for beginners for small study America 89-2477 machine learning basics case study USA 89-1276 trends comparison for small business 89-1898 ecommerce trends examples chatbot development ideas for creators 89-2501 chatbot development ideas writing examples for entrepreneurs 89-2958 resume writing explained 89-820 remote work best practices for small business 89-1942 remote work USA 89-1608 electric vehicles ideas United States 89-458 electric for creators 89-2807 crypto trading guide for entrepreneurs 89-1202 sustainable living strategies United States 89-1427 sustainable living 89-1712 data science careers trends USA 89-2305 data science careers step by step USA 89-2252 content marketing step by step United States wearable technology explained USA 89-1287 wearable technology explained 89-270 AI tools step by step USA 89-1099 AI tools step by step USA Instagram growth explained for startups 89-2893 Instagram growth for

Electrical Circuits Questions And Answers :

ielts express upper intermediate workbook documents and e - May 31 2022

web download view ielts express upper intermediate workbook as pdf for free more details pages 98 preview full text download view ielts express upper intermediate workbook as pdf for free related documents ielts express upper intermediate workbook november 2021 0

ielts express upper intermediate ngl elt catalog - May 11 2023

web ebook ielts express upper intermediate student book 1 year access 9781285434100 ielts express is a two level

preparation course for students at intermediate 4 5 5 and upper intermediate 5 5 7 levels

[ielts express upper intermediate workbook pdf](#) - Aug 02 2022

web jan 7 2016 ielts express is a two level preparation course for students at intermediate 4 5 5 and upper intermediate 5 5 7 levels ielts type tasks with practice activities provide students with the key skills language and confidence needed for exam success

ielts express upper intermediate workbook audio cd - Dec 06 2022

web ielts express upper intermediate workbook audio cd pamela humphreys with pauline cullen exam essentials contributors paula humphreys martin lisboa mark

ielts express upper intermediate coursebook ebook audio - Jun 12 2023

web feb 4 2022 ielts express is a two level series ielts express intermediate 4 5 5 provides comprehensive preparation for both the academic and general training modules ielts express upper intermediate focuses exclusively on preparing learners for the academic module extensive support materials are available for both the student and the

45 ielts express upper intermediate coursebook pdf - Feb 08 2023

web view details request a review learn more

ielts express upper intermediate coursebook pdf scribd - Mar 29 2022

web both levels of the ielts express series focus on building skills and providing essential exam practice in addition to the coursebook each level of ielts express comprises the following components workbook the workbook contains vocabulary and grammar tasks skills building tasks and exam practice tasks

ielts express upper intermediate coursebook 2nd ed - Sep 03 2022

web apr 4 2020 ielts express upper intermediate is the second level of a two level ielts exam preparation series level two is designed for students at ielts band 5 5 and above providing a mid level entry point for students wishing to prepare for ielts

ielts express national geographic learning exam preparation - Jul 01 2022

web upper intermediate class and workbook audio eltexampreparation com ielts express upper intermediate class intermediate speaking test video eltexampreparation com ielts express intermediate speaking test video upper intermediate speaking test video eltexampreparation com ielts

ielts express intermediate coursebook ebook audio - Apr 29 2022

web feb 4 2022 ielts express is a two level preparation course for students who are at intermediate 4 5 5 and upper intermediate 5 5 7 levels ielts type tasks with practice activities provide students with the key skills language

[ielts express upper intermediate workbook with audio cd](#) - Nov 05 2022

web apr 5 2012 express upper intermediate workbook is the ideal companion to the ielts express upper intermediate

coursebook it provides further practice of the skills and task types covered in the coursebook as well as key vocabulary and

ielts express upper intermediate workbook sciarium - Feb 25 2022

web apr 22 2010 ielts express upper intermediate is the second level of a two level ielts exam preparation series level two is designed for students at ielts band 5.5 and above providing a mid level entry point for students wishing to prepare for ielts

ielts express intermediate upper intermediate pdf audio - Sep 15 2023

web may 19 2022 ielts express is a set of two books ielts express intermediate and ielts express upper intermediate coursebook these ielts books promise to be a useful reference source for ielts learners in this post ielts will provide a brief review of them and the links to download the complete set of ielts express intermediate

[ielts express upper intermediate workbook pdf pdf scribd](#) - Aug 14 2023

web the ielts express upper intermediate workbook is intended to be used together with the ielts express upper intermediate coursebook the units of this workbook follow the units in the coursebook there are eight units with the same topics as the coursebook

ielts express upper intermediate 2nd workbook pdf scribd - Apr 10 2023

web ielts express upper intermediate 2nd workbook free download as pdf file pdf or read online for free

[ielts express 2nd edition workbook with audio cd upper intermediate](#) - Oct 04 2022

web richard hallows martin lisboa mark unwinn series description a two level preparation course each with eight topic based units for intermediate 4.5.5 and upper intermediate 5.5.7 levels ielts type tasks practice activities to build skills language and confidence

ielts express upper intermediate workbook pdf scribd - Mar 09 2023

web ielts express upper intermediate workbook free download as pdf file pdf text file txt or read online for free

pdf cd ielts express upper intermediate workbook - Jan 27 2022

web nov 12 2018 link download thomson ielts express upper intermediate workbook cd zip 48.32 mb thomson ielts express upper intermediate workbook pdf 41.79 mb nitroflare.com folder 949760100vuz2xpc2g click quảng cáo comment để có link free nhé pdf 2cd spotlight on cae student's book 11.12.2018

upper intermediate international express oxford university press - Jul 13 2023

web oct 11 2023 students international express upper intermediate international express upper intermediate audio and video download audio and video resources to help you study better with international express upper intermediate audio student's book unit 1 zip 24mb

44 ielts express upper intermediate teacher's guide ielts express - Jan 07 2023

web 44 ielts express upper intermediate teacher's guide ielts express pdf google drive

leading cloud business software suite in singapore netsuite - Aug 02 2023

web singapore s 1 cloud business software suite 37 000 customers free product tour why netsuite netsuite is singapore s leading web based business software including accounting erp crm inventory and ecommerce

suite noun definition pictures pronunciation and usage notes - Dec 26 2022

web see suite in the oxford advanced american dictionary see suite in the oxford learner s dictionary of academic english check pronunciation suite definition of suite noun in oxford advanced learner s dictionary meaning pronunciation picture example sentences grammar usage notes synonyms and more

google workspace secure online productivity collaboration - Jul 01 2023

web learn how the suite of secure online tools from google workspace empowers teams of all sizes to do their best work

suite definition meaning merriam webster - Sep 03 2023

web the meaning of suite is retinue especially the personal staff accompanying a ruler diplomat or dignitary on official business how to use suite in a sentence

suite pronunciation in english cambridge dictionary - May 31 2023

web suite pronunciation how to say suite listen to the audio pronunciation in english learn more

suite definition and meaning collins english dictionary - Feb 25 2023

web word forms regular plural suites noun hospitality hotel hotel room a suite is a set of rooms in a hotel or other building he chose the most expensive suite in the whole hotel

suite definition usage examples dictionary com - Mar 29 2023

web see synonyms for suite on thesaurus com noun a number of things forming a series or set a connected series of rooms to be used together a hotel suite a set of furniture

suit definition meaning merriam webster - Jan 27 2023

web noun 'süt synonyms of suit 1 a set of garments such as a an ensemble of two or more usually matching outer garments such as a jacket vest and trousers

symphony suites condo in sembawang yishun prices - Apr 29 2023

web symphony suites is a 99 years leasehold condo development located in yishun district 27 completed in 2019 it has a total of 12 blocks within the development and comprises a total of 660 units for young couples or families with children symphony suites is also close to schools like affinity education place 318a yishun ave 9 little petals

suite english meaning cambridge dictionary - Oct 04 2023

web suite definition 1 a set of connected rooms especially in a hotel 2 a set of furniture for one room of learn more

solutions pre intermediate student s book e book teenagers - Jul 23 2023

web solutions pre intermediate 3rd edition grammar workbook audio pre intermediate wordlist 2 7mb pdf

audio solutions oxford university press - Dec 16 2022

web solutions pre intermediate student s book tim falla paul a davies 2017 3rd 142p format pdf size 78 mb view download drive google audio cd 1 3 format mp3 zip

pre intermediate oxford solutions oxford university press - Feb 18 2023

web download the solutions workbook keys for elementary pre intermediate intermediate upper intermediate and advanced solutions wordlists 2nd and 3rd edition solutions

solutions pre intermediate teenagers oxford - Apr 20 2023

web solutions pre intermediate 2nd edition grammar everyday english workbook audio

solutions teacher s site oxford university press - Jan 17 2023

web students solutions pre intermediate 3rd edition audio grammar audio solutions pre intermediate 3rd edition workbook audio cd 2 tracks 1 22 zip 39mb select

solutions pre intermediate 3rd alleng org - Oct 14 2022

web solutions pre intermediate student s book pdfdrive pdf free download as pdf file pdf or read online for free

pre intermediate solutions oxford university press - Mar 19 2023

web students oxford solutions pre intermediate download the workbook audio tracks 1 29 zip 60mb tracks 30 60 zip 65mb introduction exercise 1 present simple and

[solutions pre intermediate paul a davies tim falla google](#) - May 09 2022

web dec 29 2016 student s book and workbook available in e book format with interactive features designed to aid language learning dvd rom material for every culture lesson

[solutions pre intermediate student book](#) - Dec 04 2021

web improve pronunciation students can repeat audio record themselves and compare to original improve listening integrated audio which students can slow down to hear each

[solutions 3e pre intermediate workbook oxford university press](#) - Mar 07 2022

web solutions third edition pre intermediate student s book b units 4 6 isbn 9780194563888 15 63

solutions pre intermediate student s book audio soundcloud - Apr 08 2022

web feb 2 2012 solutions pre intermediate student s book an enhanced edition of the popular english course for secondary students now with a multi dimensional package to

[solutions pre intermediate student s book and online](#) - May 21 2023

web part of solutions language level pre intermediate to upper intermediate solutions by oxford university press is now

