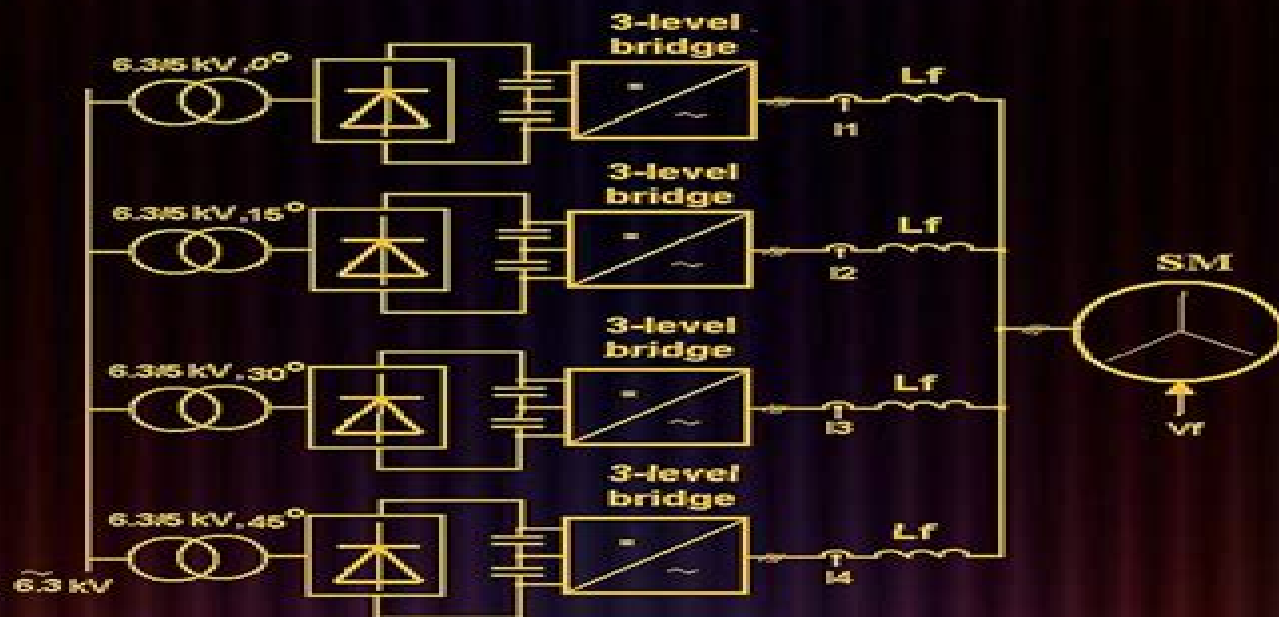


# ELECTROTECHNICAL SYSTEMS

Simulation with Simulink®  
and SimPowerSystems™



**Viktor M. Perelmuter**



CRC Press  
Taylor & Francis Group

# Electrotechnical Systems Simulation With Simulink And Simpowersystems

**JL Elias**



## **Electrotechnical Systems Simulation With Simulink And Simpowersystems:**

As recognized, adventure as competently as experience roughly lesson, amusement, as skillfully as understanding can be gotten by just checking out a books **Electrotechnical Systems Simulation With Simulink And Simpowersystems** as well as it is not directly done, you could tolerate even more on the order of this life, in the region of the world.

We provide you this proper as well as easy mannerism to acquire those all. We give Electrotechnical Systems Simulation With Simulink And Simpowersystems and numerous ebook collections from fictions to scientific research in any way. in the middle of them is this Electrotechnical Systems Simulation With Simulink And Simpowersystems that can be your partner.

[https://py.bijouxmedusa.com/results/publication/index.jsp/Civil\\_Rights\\_Activist\\_Essie\\_Berry\\_Says\\_She\\_Wants\\_An.pdf](https://py.bijouxmedusa.com/results/publication/index.jsp/Civil_Rights_Activist_Essie_Berry_Says_She_Wants_An.pdf)

## **Table of Contents Electrotechnical Systems Simulation With Simulink And Simpowersystems**

1. Understanding the eBook Electrotechnical Systems Simulation With Simulink And Simpowersystems
  - The Rise of Digital Reading Electrotechnical Systems Simulation With Simulink And Simpowersystems
  - Advantages of eBooks Over Traditional Books
2. Identifying Electrotechnical Systems Simulation With Simulink And Simpowersystems
  - Exploring Different Genres
  - Considering Fiction vs. Non-Fiction
  - Determining Your Reading Goals
3. Choosing the Right eBook Platform
  - Popular eBook Platforms
  - Features to Look for in an Electrotechnical Systems Simulation With Simulink And Simpowersystems
  - User-Friendly Interface
4. Exploring eBook Recommendations from Electrotechnical Systems Simulation With Simulink And Simpowersystems
  - Personalized Recommendations
  - Electrotechnical Systems Simulation With Simulink And Simpowersystems User Reviews and Ratings
  - Electrotechnical Systems Simulation With Simulink And Simpowersystems and Bestseller Lists
5. Accessing Electrotechnical Systems Simulation With Simulink And Simpowersystems Free and Paid eBooks

- Electrotechnical Systems Simulation With Simulink And Simpowersystems Public Domain eBooks
  - Electrotechnical Systems Simulation With Simulink And Simpowersystems eBook Subscription Services
  - Electrotechnical Systems Simulation With Simulink And Simpowersystems Budget-Friendly Options
6. Navigating Electrotechnical Systems Simulation With Simulink And Simpowersystems eBook Formats
    - ePub, PDF, MOBI, and More
    - Electrotechnical Systems Simulation With Simulink And Simpowersystems Compatibility with Devices
    - Electrotechnical Systems Simulation With Simulink And Simpowersystems Enhanced eBook Features
  7. Enhancing Your Reading Experience
    - Adjustable Fonts and Text Sizes of Electrotechnical Systems Simulation With Simulink And Simpowersystems
    - Highlighting and Note-Taking Electrotechnical Systems Simulation With Simulink And Simpowersystems
    - Interactive Elements Electrotechnical Systems Simulation With Simulink And Simpowersystems
  8. Staying Engaged with Electrotechnical Systems Simulation With Simulink And Simpowersystems
    - Joining Online Reading Communities
    - Participating in Virtual Book Clubs
    - Following Authors and Publishers Electrotechnical Systems Simulation With Simulink And Simpowersystems
  9. Balancing eBooks and Physical Books Electrotechnical Systems Simulation With Simulink And Simpowersystems
    - Benefits of a Digital Library
    - Creating a Diverse Reading Collection Electrotechnical Systems Simulation With Simulink And Simpowersystems
  10. Overcoming Reading Challenges
    - Dealing with Digital Eye Strain
    - Minimizing Distractions
    - Managing Screen Time
  11. Cultivating a Reading Routine Electrotechnical Systems Simulation With Simulink And Simpowersystems
    - Setting Reading Goals Electrotechnical Systems Simulation With Simulink And Simpowersystems
    - Carving Out Dedicated Reading Time
  12. Sourcing Reliable Information of Electrotechnical Systems Simulation With Simulink And Simpowersystems
    - Fact-Checking eBook Content of Electrotechnical Systems Simulation With Simulink And Simpowersystems
    - Distinguishing Credible Sources
  13. Promoting Lifelong Learning
    - Utilizing eBooks for Skill Development

- Exploring Educational eBooks
14. Embracing eBook Trends
- Integration of Multimedia Elements
  - Interactive and Gamified eBooks

### **Electrotechnical Systems Simulation With Simulink And Simpowersystems Introduction**

In today's digital age, the availability of Electrotechnical Systems Simulation With Simulink And Simpowersystems books and manuals for download has revolutionized the way we access information. Gone are the days of physically flipping through pages and carrying heavy textbooks or manuals. With just a few clicks, we can now access a wealth of knowledge from the comfort of our own homes or on the go. This article will explore the advantages of Electrotechnical Systems Simulation With Simulink And Simpowersystems books and manuals for download, along with some popular platforms that offer these resources. One of the significant advantages of Electrotechnical Systems Simulation With Simulink And Simpowersystems books and manuals for download is the cost-saving aspect. Traditional books and manuals can be costly, especially if you need to purchase several of them for educational or professional purposes. By accessing Electrotechnical Systems Simulation With Simulink And Simpowersystems versions, you eliminate the need to spend money on physical copies. This not only saves you money but also reduces the environmental impact associated with book production and transportation. Furthermore, Electrotechnical Systems Simulation With Simulink And Simpowersystems books and manuals for download are incredibly convenient. With just a computer or smartphone and an internet connection, you can access a vast library of resources on any subject imaginable. Whether you're a student looking for textbooks, a professional seeking industry-specific manuals, or someone interested in self-improvement, these digital resources provide an efficient and accessible means of acquiring knowledge. Moreover, PDF books and manuals offer a range of benefits compared to other digital formats. PDF files are designed to retain their formatting regardless of the device used to open them. This ensures that the content appears exactly as intended by the author, with no loss of formatting or missing graphics. Additionally, PDF files can be easily annotated, bookmarked, and searched for specific terms, making them highly practical for studying or referencing. When it comes to accessing Electrotechnical Systems Simulation With Simulink And Simpowersystems books and manuals, several platforms offer an extensive collection of resources. One such platform is Project Gutenberg, a nonprofit organization that provides over 60,000 free eBooks. These books are primarily in the public domain, meaning they can be freely distributed and downloaded. Project Gutenberg offers a wide range of classic literature, making it an excellent resource for literature enthusiasts. Another popular platform for Electrotechnical Systems Simulation With Simulink And Simpowersystems books and manuals is Open Library. Open Library is an initiative of the Internet Archive, a non-profit organization dedicated to

digitizing cultural artifacts and making them accessible to the public. Open Library hosts millions of books, including both public domain works and contemporary titles. It also allows users to borrow digital copies of certain books for a limited period, similar to a library lending system. Additionally, many universities and educational institutions have their own digital libraries that provide free access to PDF books and manuals. These libraries often offer academic texts, research papers, and technical manuals, making them invaluable resources for students and researchers. Some notable examples include MIT OpenCourseWare, which offers free access to course materials from the Massachusetts Institute of Technology, and the Digital Public Library of America, which provides a vast collection of digitized books and historical documents. In conclusion, Electrotechnical Systems Simulation With Simulink And Simpowersystems books and manuals for download have transformed the way we access information. They provide a cost-effective and convenient means of acquiring knowledge, offering the ability to access a vast library of resources at our fingertips. With platforms like Project Gutenberg, Open Library, and various digital libraries offered by educational institutions, we have access to an ever-expanding collection of books and manuals. Whether for educational, professional, or personal purposes, these digital resources serve as valuable tools for continuous learning and self-improvement. So why not take advantage of the vast world of Electrotechnical Systems Simulation With Simulink And Simpowersystems books and manuals for download and embark on your journey of knowledge?

### **FAQs About Electrotechnical Systems Simulation With Simulink And Simpowersystems Books**

How do I know which eBook platform is the best for me? Finding the best eBook platform depends on your reading preferences and device compatibility. Research different platforms, read user reviews, and explore their features before making a choice. Are free eBooks of good quality? Yes, many reputable platforms offer high-quality free eBooks, including classics and public domain works. However, make sure to verify the source to ensure the eBook credibility. Can I read eBooks without an eReader? Absolutely! Most eBook platforms offer webbased readers or mobile apps that allow you to read eBooks on your computer, tablet, or smartphone. How do I avoid digital eye strain while reading eBooks? To prevent digital eye strain, take regular breaks, adjust the font size and background color, and ensure proper lighting while reading eBooks. What the advantage of interactive eBooks? Interactive eBooks incorporate multimedia elements, quizzes, and activities, enhancing the reader engagement and providing a more immersive learning experience. Electrotechnical Systems Simulation With Simulink And Simpowersystems is one of the best book in our library for free trial. We provide copy of Electrotechnical Systems Simulation With Simulink And Simpowersystems in digital format, so the resources that you find are reliable. There are also many Ebooks of related with Electrotechnical Systems Simulation With Simulink And Simpowersystems. Where to

download Electrotechnical Systems Simulation With Simulink And Simpowersystems online for free? Are you looking for Electrotechnical Systems Simulation With Simulink And Simpowersystems PDF? This is definitely going to save you time and cash in something you should think about. If you trying to find then search around for online. Without a doubt there are numerous these available and many of them have the freedom. However without doubt you receive whatever you purchase. An alternate way to get ideas is always to check another Electrotechnical Systems Simulation With Simulink And Simpowersystems. This method for see exactly what may be included and adopt these ideas to your book. This site will almost certainly help you save time and effort, money and stress. If you are looking for free books then you really should consider finding to assist you try this. Several of Electrotechnical Systems Simulation With Simulink And Simpowersystems are for sale to free while some are payable. If you arent sure if the books you would like to download works with for usage along with your computer, it is possible to download free trials. The free guides make it easy for someone to free access online library for download books to your device. You can get free download on free trial for lots of books categories. Our library is the biggest of these that have literally hundreds of thousands of different products categories represented. You will also see that there are specific sites catered to different product types or categories, brands or niches related with Electrotechnical Systems Simulation With Simulink And Simpowersystems. So depending on what exactly you are searching, you will be able to choose e books to suit your own need. Need to access completely for Campbell Biology Seventh Edition book? Access Ebook without any digging. And by having access to our ebook online or by storing it on your computer, you have convenient answers with Electrotechnical Systems Simulation With Simulink And Simpowersystems To get started finding Electrotechnical Systems Simulation With Simulink And Simpowersystems, you are right to find our website which has a comprehensive collection of books online. Our library is the biggest of these that have literally hundreds of thousands of different products represented. You will also see that there are specific sites catered to different categories or niches related with Electrotechnical Systems Simulation With Simulink And Simpowersystems So depending on what exactly you are searching, you will be able tochoose ebook to suit your own need. Thank you for reading Electrotechnical Systems Simulation With Simulink And Simpowersystems. Maybe you have knowledge that, people have search numerous times for their favorite readings like this Electrotechnical Systems Simulation With Simulink And Simpowersystems, but end up in harmful downloads. Rather than reading a good book with a cup of coffee in the afternoon, instead they juggled with some harmful bugs inside their laptop. Electrotechnical Systems Simulation With Simulink And Simpowersystems is available in our book collection an online access to it is set as public so you can download it instantly. Our digital library spans in multiple locations, allowing you to get the most less latency time to download any of our books like this one. Merely said, Electrotechnical Systems Simulation With Simulink And Simpowersystems is universally compatible with any devices to read.

**Find Electrotechnical Systems Simulation With Simulink And Simpowersystems :**

**civil rights activist essie berry says she wants an**

~~collaborating finding common ground for multiparty problems~~

**code complete second edition ebook pearsoncmg**

**cladogram example problems and answers theluxore**

college geometry problems and solutions

cnc trade secrets a to cnc machine shop practices

citrix xenserver 7 2 feature matrix

collins business grammar and practice intermediate

clinical pediatric neurology a signs and symptoms approach 5th ed

*clinical nursing skills techniques revised reprint 5e by anne griffin perry patricia potter mosby 2003 paperback 5th edition paperback*

~~ciencias biologia 1 secundaria santillana~~

~~chinkee tan books~~

circuit analysis theory and lab 5th

~~citroen c3 aireross~~

cissp 1 gratis exam

**Electrotechnical Systems Simulation With Simulink And Simpowersystems :**

Advanced Emergency Care and Transportation of the Sick ... The all-new Fourth Edition of Advanced Emergency Care and Transportation of the Sick and Injured combines comprehensive content with an unparalleled suite ... AEMT: Advanced Emergency Care and Transportation of ... AEMT: Advanced Emergency Care and Transportation of the Sick and Injuredselected product title. Third Edition. AAOS. ISBN:9781284136562. | © 2019. | 1840 pages. AEMT: Advanced Emergency Care and Transportation of ... AEMT: Advanced Emergency Care and Transportation of the Sick and Injured Includes Navigate 2 Advantage Access: Advanced Emergency Care and ... Includes Navigate ... Advanced Emergency Care and Transportation of the Sick ... Advanced Emergency Care and Transportation of the Sick and Injured, Fourth Edition. AAOS; Rhonda J. Hunt; Alfonso Mejia. ©2023. ISBN: 9781284228144. List of ... AAOS & Emergency Medical Services (EMS) Advanced Emergency Care and Transportation of the Sick and Injured offers EMS providers a stepping stone between the EMT-Basic and EMT-Paramedic credentials. AEMT: Advanced Emergency Care and Transportation of ... AEMT: Advanced

Emergency Care and Transportation of the Sick and Injured: Advanced Emergency Care ... American Academy of Orthopaedic Surgeons (AAOS). 4.5 out of ... AAOS Book Collection at Jones & Barlett Learning View education and professional development resources covering emergency medical services and critical care from AAOS and Jones & Bartlett Learning. Advanced Emergency Care and Transportation of the Sick ... Advanced Emergency Care and Transportation of the Sick and Injured, Fourth Edition is the Most Current AEMT Textbook Available. Comprehensive coverage of the ... AEMT: Advanced Emergency Care and Transportation of ... AEMT: Advanced Emergency Care and Transportation of the Sick and Injured: Advanced Emergency Care and Transportation of the Sick and Injured / Edition 3. BTL 20 50Hz - Light Oil Burners BTL 20 50Hz. Code 35630010. Single-stage light oil burners. Single-stage ... Use and maintenance manual. 1.0. 14/01/2014. Technical Sheet. 1.0. 01/07/2021. Use ... Electric Screwdrivers BTL-20 and BTL-30 BTL-20 and BTL-30. Instruction Manual. Please Read Instructions. Before Operating. Features and Benefits. • Starting Mode Adjustable: The ASG BTL-20 and BTL-30. ASG BTL-20 Instruction Manual View and Download ASG BTL-20 instruction manual online. BTL-20 power tool pdf manual download. Also for: Btl-30. Baltur BTL 20 Manuals Baltur BTL 20 Pdf User Manuals. View online or download Baltur BTL 20 Manual Instructions For Use, Installation, Use And Maintenance Instruction Manual, ... BTL 14 BTL 20 BTL 26 ... USER : HOW TO USE. THE BURNER SAFELY” in this instruction manual, which is an integral and essential part of the product. The works on the burner and on the ... BTL-2000 Series Page 20. BTL-2000. USER'S MANUAL & USER'S GUIDE. Page 20 z 46. Main menu. Diagnoses - Selection according to branches and diagnoses. Program - Selection from ... BTL vac This manual has been written for the owners and operators of the vacuum unit BTL vac. It contains general instructions on operation, precautionary practices ... BTL - 5000 SWT - Service Manual PDF BTL - 5000 SWT - SERVICE MANUAL.pdf - Free ebook download as PDF File ( ... INSTRUCTIONS FOR USE | PAGE 20 OF 47. End of interrupted therapy. Start of ... BTL Cardiopoint: Service Manual | PDF performed on BTL CardioPoint and troubleshooting of the most frequent issues. The “Service Manual” is a document that is not a subject of frequent revisions. It ... BTL Series 1900-0004 BTL 1112 Manual 20. Install the 90° fitting (27) (fig. A-13) into the oil port on the side of ... maintenance manual. 4. Ensure there is proper flow throughout the hydraulic ... Houghton Mifflin Go Math Grade 5 Math Grade 5 pdf for free. Houghton Mifflin Go. Math Grade 5. Introduction. In the ... answer key pdf lehigh valley hospital emergency medicine residency laura ... 5th Grade Answer Key.pdf @Houghton Mifflin Harcourt Publishing Company. Name. Write and Evaluate Expressions. ALGEBRA. Lesson 13 ... Of 1, 3, 5, and 11, which numbers are solutions for ... 5th Grade Answer Key PDF © Houghton Mifflin Harcourt Publishing Company. GRR2. Lesson 2 Reteach. Subtract Dollars and Cents. You can count up to find a difference. Find the difference ... Go Math! 5 Common Core answers & resources Go Math! 5 Common Core grade 5 workbook & answers help online. Grade: 5, Title: Go Math! 5 Common Core, Publisher: Houghton Mifflin Harcourt, ISBN: 547587813. Go Math! Grade 5 Teacher Edition Pages 401-450 Sep 15, 2022 — Check Pages 401-450 of Go Math! Grade 5 Teacher Edition in the flip PDF version. Go Math!

Grade 5 Teacher Edition was published by Amanda ... Chapter 3 Answer Key A Logan. Ralph. They ate the same amount of grapes. D There is not enough information to decide which brother ate more grapes. □ Houghton Mifflin Harcourt ... Chapter 7 Answer Key Multiply Fractions and Whole Numbers. COMMON CORE STANDARD CC.5.NF.4a. Apply and extend previous understandings of multiplication and division to multiply. Math Expressions Answer Key Houghton Mifflin Math Expressions Common Core Answer Key for Grade 5, 4, 3, 2, 1, and Kindergarten K · Math Expressions Grade 5 Homework and Remembering Answer ... Go Math Answer Key for Grade K, 1, 2, 3, 4, 5, 6, 7, and 8 Free Download Go Math Answer Key from Kindergarten to 8th Grade. Students can find Go Math Answer Keys right from Primary School to High School all in one place ...