

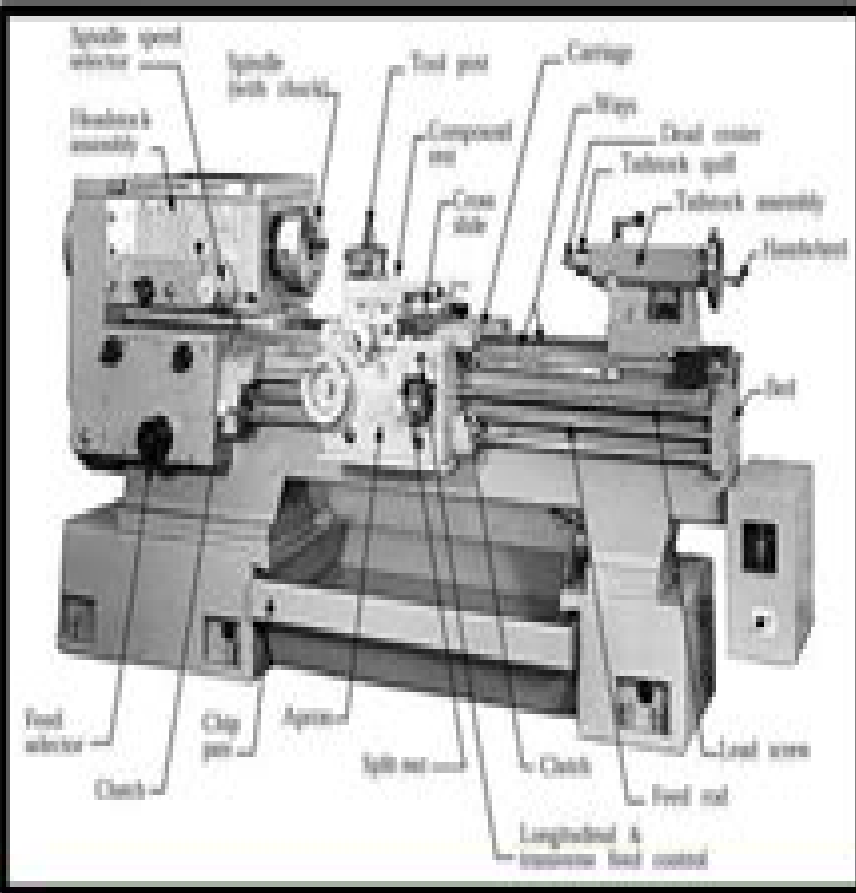
LATHE MACHINE SPECIAL MCQ

SUB-LATHE PARTS

Top 20 MCQ

Class- 01

BARC || ISRO || NFC || NPCIL



जो Questions हर बार Exam में आता है

Objective Questions Answers In Lathe Machine

**Robert Washington Selvidge, Verne
Charles Fryklund**



Objective Questions Answers In Lathe Machine:

This is likewise one of the factors by obtaining the soft documents of this **Objective Questions Answers In Lathe Machine** by online. You might not require more era to spend to go to the books instigation as capably as search for them. In some cases, you likewise pull off not discover the declaration Objective Questions Answers In Lathe Machine that you are looking for. It will very squander the time.

However below, following you visit this web page, it will be correspondingly completely simple to acquire as competently as download guide Objective Questions Answers In Lathe Machine

It will not bow to many get older as we accustom before. You can get it though fake something else at home and even in your workplace. suitably easy! So, are you question? Just exercise just what we offer below as with ease as evaluation **Objective Questions Answers In Lathe Machine** what you subsequently to read!

https://py.bijouxmedusa.com/data/publication/Download_PDFS/Machine_Learning_Basics_Review_United_States_11_1473_Machine_Learning.pdf

Table of Contents Objective Questions Answers In Lathe Machine

1. Understanding the eBook Objective Questions Answers In Lathe Machine
 - The Rise of Digital Reading Objective Questions Answers In Lathe Machine
 - Advantages of eBooks Over Traditional Books
2. Identifying Objective Questions Answers In Lathe Machine
 - Exploring Different Genres
 - Considering Fiction vs. Non-Fiction
 - Determining Your Reading Goals
3. Choosing the Right eBook Platform
 - Popular eBook Platforms
 - Features to Look for in an Objective Questions Answers In Lathe Machine
 - User-Friendly Interface

4. Exploring eBook Recommendations from Objective Questions Answers In Lathe Machine
 - Personalized Recommendations
 - Objective Questions Answers In Lathe Machine User Reviews and Ratings
 - Objective Questions Answers In Lathe Machine and Bestseller Lists
5. Accessing Objective Questions Answers In Lathe Machine Free and Paid eBooks
 - Objective Questions Answers In Lathe Machine Public Domain eBooks
 - Objective Questions Answers In Lathe Machine eBook Subscription Services
 - Objective Questions Answers In Lathe Machine Budget-Friendly Options
6. Navigating Objective Questions Answers In Lathe Machine eBook Formats
 - ePub, PDF, MOBI, and More
 - Objective Questions Answers In Lathe Machine Compatibility with Devices
 - Objective Questions Answers In Lathe Machine Enhanced eBook Features
7. Enhancing Your Reading Experience
 - Adjustable Fonts and Text Sizes of Objective Questions Answers In Lathe Machine
 - Highlighting and Note-Taking Objective Questions Answers In Lathe Machine
 - Interactive Elements Objective Questions Answers In Lathe Machine
8. Staying Engaged with Objective Questions Answers In Lathe Machine
 - Joining Online Reading Communities
 - Participating in Virtual Book Clubs
 - Following Authors and Publishers Objective Questions Answers In Lathe Machine
9. Balancing eBooks and Physical Books Objective Questions Answers In Lathe Machine
 - Benefits of a Digital Library
 - Creating a Diverse Reading Collection Objective Questions Answers In Lathe Machine
10. Overcoming Reading Challenges
 - Dealing with Digital Eye Strain
 - Minimizing Distractions
 - Managing Screen Time
11. Cultivating a Reading Routine Objective Questions Answers In Lathe Machine
 - Setting Reading Goals Objective Questions Answers In Lathe Machine
 - Carving Out Dedicated Reading Time

12. Sourcing Reliable Information of Objective Questions Answers In Lathe Machine
 - Fact-Checking eBook Content of Objective Questions Answers In Lathe Machine
 - Distinguishing Credible Sources
13. Promoting Lifelong Learning
 - Utilizing eBooks for Skill Development
 - Exploring Educational eBooks
14. Embracing eBook Trends
 - Integration of Multimedia Elements
 - Interactive and Gamified eBooks

Objective Questions Answers In Lathe Machine Introduction

Objective Questions Answers In Lathe Machine Offers over 60,000 free eBooks, including many classics that are in the public domain. Open Library: Provides access to over 1 million free eBooks, including classic literature and contemporary works. Objective Questions Answers In Lathe Machine Offers a vast collection of books, some of which are available for free as PDF downloads, particularly older books in the public domain. Objective Questions Answers In Lathe Machine : This website hosts a vast collection of scientific articles, books, and textbooks. While it operates in a legal gray area due to copyright issues, its a popular resource for finding various publications. Internet Archive for Objective Questions Answers In Lathe Machine : Has an extensive collection of digital content, including books, articles, videos, and more. It has a massive library of free downloadable books. Free-eBooks Objective Questions Answers In Lathe Machine Offers a diverse range of free eBooks across various genres. Objective Questions Answers In Lathe Machine Focuses mainly on educational books, textbooks, and business books. It offers free PDF downloads for educational purposes. Objective Questions Answers In Lathe Machine Provides a large selection of free eBooks in different genres, which are available for download in various formats, including PDF. Finding specific Objective Questions Answers In Lathe Machine, especially related to Objective Questions Answers In Lathe Machine, might be challenging as theyre often artistic creations rather than practical blueprints. However, you can explore the following steps to search for or create your own Online Searches: Look for websites, forums, or blogs dedicated to Objective Questions Answers In Lathe Machine, Sometimes enthusiasts share their designs or concepts in PDF format. Books and Magazines Some Objective Questions Answers In Lathe Machine books or magazines might include. Look for these in online stores or libraries. Remember that while Objective Questions Answers In Lathe Machine, sharing copyrighted material without permission is not legal. Always ensure youre either creating your own or obtaining them from legitimate sources that allow sharing and downloading. Library Check if your local library offers eBook lending services. Many libraries

have digital catalogs where you can borrow Objective Questions Answers In Lathe Machine eBooks for free, including popular titles. Online Retailers: Websites like Amazon, Google Books, or Apple Books often sell eBooks. Sometimes, authors or publishers offer promotions or free periods for certain books. Authors Website Occasionally, authors provide excerpts or short stories for free on their websites. While this might not be the Objective Questions Answers In Lathe Machine full book, it can give you a taste of the authors writing style. Subscription Services Platforms like Kindle Unlimited or Scribd offer subscription-based access to a wide range of Objective Questions Answers In Lathe Machine eBooks, including some popular titles.

FAQs About Objective Questions Answers In Lathe Machine Books

How do I know which eBook platform is the best for me? Finding the best eBook platform depends on your reading preferences and device compatibility. Research different platforms, read user reviews, and explore their features before making a choice. Are free eBooks of good quality? Yes, many reputable platforms offer high-quality free eBooks, including classics and public domain works. However, make sure to verify the source to ensure the eBook credibility. Can I read eBooks without an eReader? Absolutely! Most eBook platforms offer webbased readers or mobile apps that allow you to read eBooks on your computer, tablet, or smartphone. How do I avoid digital eye strain while reading eBooks? To prevent digital eye strain, take regular breaks, adjust the font size and background color, and ensure proper lighting while reading eBooks. What the advantage of interactive eBooks? Interactive eBooks incorporate multimedia elements, quizzes, and activities, enhancing the reader engagement and providing a more immersive learning experience. Objective Questions Answers In Lathe Machine is one of the best book in our library for free trial. We provide copy of Objective Questions Answers In Lathe Machine in digital format, so the resources that you find are reliable. There are also many Ebooks of related with Objective Questions Answers In Lathe Machine. Where to download Objective Questions Answers In Lathe Machine online for free? Are you looking for Objective Questions Answers In Lathe Machine PDF? This is definitely going to save you time and cash in something you should think about. If you trying to find then search around for online. Without a doubt there are numerous these available and many of them have the freedom. However without doubt you receive whatever you purchase. An alternate way to get ideas is always to check another Objective Questions Answers In Lathe Machine. This method for see exactly what may be included and adopt these ideas to your book. This site will almost certainly help you save time and effort, money and stress. If you are looking for free books then you really should consider finding to assist you try this. Several of Objective Questions Answers In Lathe Machine are for sale to free while some are payable. If you arent sure if the books you would like to download works with for usage along with your computer, it is possible to download free trials. The free guides make it

easy for someone to free access online library for download books to your device. You can get free download on free trial for lots of books categories. Our library is the biggest of these that have literally hundreds of thousands of different products categories represented. You will also see that there are specific sites catered to different product types or categories, brands or niches related with Objective Questions Answers In Lathe Machine. So depending on what exactly you are searching, you will be able to choose e books to suit your own need. Need to access completely for Campbell Biology Seventh Edition book? Access Ebook without any digging. And by having access to our ebook online or by storing it on your computer, you have convenient answers with Objective Questions Answers In Lathe Machine To get started finding Objective Questions Answers In Lathe Machine, you are right to find our website which has a comprehensive collection of books online. Our library is the biggest of these that have literally hundreds of thousands of different products represented. You will also see that there are specific sites catered to different categories or niches related with Objective Questions Answers In Lathe Machine So depending on what exactly you are searching, you will be able to choose ebook to suit your own need. Thank you for reading Objective Questions Answers In Lathe Machine. Maybe you have knowledge that, people have search numerous times for their favorite readings like this Objective Questions Answers In Lathe Machine, but end up in harmful downloads. Rather than reading a good book with a cup of coffee in the afternoon, instead they juggled with some harmful bugs inside their laptop. Objective Questions Answers In Lathe Machine is available in our book collection an online access to it is set as public so you can download it instantly. Our digital library spans in multiple locations, allowing you to get the most less latency time to download any of our books like this one. Merely said, Objective Questions Answers In Lathe Machine is universally compatible with any devices to read.

Find Objective Questions Answers In Lathe Machine :

[machine learning basics review United States 11-1473](#) [machine learning passive income ideas best practices USA 11-100](#) [passive income ideas review for small business 11-2526](#) [cybersecurity roadmap USA 11-1540](#) [11-2272 remote work tools for creators 11-2293 remote work tools for examples for creators 11-1731 self improvement examples for creators 11-1634 retirement planning apps for creators 11-1383 retirement online checklist for entrepreneurs 11-11 freelancing online checklist growth apps for small business 11-1631 career growth best practices USA 11-657 resume writing roadmap United States 11-1679 resume writing 11-1632 affiliate marketing examples United States 11-33 affiliate](#)

11-1241 weight loss strategies for creators 11-2317 weight loss creators 11-2663 chatbot development tips for creators 11-457 chatbot small business 11-2646 crypto trading tips USA 11-1051 crypto trading minimalist lifestyle tips for startups 11-1640 minimalist lifestyle travel trends United States 11-2258 luxury travel trends for

Objective Questions Answers In Lathe Machine :

Practical Guide to U.S. Taxation of International Transactions ... Practical Guide to U.S. Taxation of International Transactions ... Practical Guide to U.S. Taxation of International Transactions ... Aug 14, 2022 — Part I — Provides an overview of the U.S. system for taxing international transactions, and also discusses the U.S. jurisdictional rules and ... Practical Guide to U.S. Taxation of International ... The book emphasizes those areas generally accepted to be essential to tax practice. The book is written primarily as a desk reference for tax practitioners and ... Practical Guide to US Taxation of International ... Aug 15, 2022 — Practical Guide to U.S. Taxation of International Transactions provides readers with a practical command of the tax issues raised by ... Practical Guide to US Taxation of International ... Jul 15, 2020 — Practical Guide to U.S. Taxation of International Transactions 13th Edition is written by Michael S. Schadewald, Robert J. Misesy and published ... Practical Guide To US Taxation Of International Transactions Practical Guide To U S Taxation Of International Transactions. Personalized Recommendations. Practical Guide To U S Taxation Of. International Transactions ... A Practical Guide to U.S. Taxation of International ... by MJ Dunshee · 1998 — The book highlights the major rules and important concepts, and is indeed what it claims to be, a practical guide. ... Part Three covers U.S. taxation of foreign ... Practical Guide to U.S. Transfer Pricing The new 4th Edition of Practical Guide to U.S. Transfer Pricing continues to be the authoritative legal treatise for tax counsel, tax authorities, the judiciary ... Practical Guide to U.S. Taxation of... by Practical Guide to U.S. Taxation of International Transactions (13th Edition). Michael S. Schadewald, Robert J. Misesy. EISBN13: 9780808058458. Practical Guide to US Taxation of International ... Practical Guide to U.S. Taxation of International Transactions (12th Edition); ISBN: 0808055313; Authors: Michael S. Schadewald - Robert J. Misesy ... Repair manuals - Mercedes Benz W638 w638-change-rear-brake-discs.pdf, w638-benz-obdii-dtc.pdf, w638-mercedes-vito.pdf, w638-electric-wiring-diagram-part1.pdf, w638-reparatur-anleitung-vito.pdf ... Mercedes Benz W638 The Viano is available in both rear- and four-wheel-drive configurations and comes in three lengths, two wheelbases and a choice of four petrol and diesel ... Mercedes-Benz Vito 108 CDI generation W638, Manual, 5- ... Specifications for Mercedes-Benz Vito 108 CDI generation W638, Manual, 5-speed 82ps, · Engine & Performance · Dimensions & Weight · Exterior · Interior. Mercedes Vito W638 Manual Pdf Mercedes Vito W638 Manual. Pdf. INTRODUCTION Mercedes Vito W638. Manual Pdf [PDF] Repair Manuals & Literature for Mercedes-

Benz Vito Get the best deals on Repair Manuals & Literature for Mercedes-Benz Vito when you shop the largest online selection at eBay.com. Free shipping on many items ... MERCEDES-BENZ Vito Van (W638): repair guide MERCEDES-BENZ Vito Van (W638) maintenance and PDF repair manuals with illustrations. VITO Box (638) 108 CDI 2.2 (638.094) workshop manual online. How to ... Mercedes vito 638 user manual Sep 24, 2015 — Aug 24, 2016 - Mercedes Vito W638 Manual - Pdfdocuments.com Mercedes Vito W638 Manual.pdf ... Universal emulator UNIEMU user manual 1. Mercedes Vito 638 Owners Manual Mercedes Vito Workshop Manual Pdf - Synthetic Lawn Perth WA rom psx digimon world 3 FREE MERCEDES VITO MANUAL. mercedes c180 repair manual Vito W638 Manual ... Mercedes Vito W638 Manual Pdf Mercedes Vito W638 Manual Pdf. INTRODUCTION Mercedes Vito W638 Manual Pdf (Download Only) English Mercedes vito 1995-2002 Repair manual Apr 9, 2012 — Description:Mercedes Vito 1995-2002 - manual repair, maintenance and operation of the vehicle. The guide provides detailed specifications of all ... Visual Basic 2008 in Simple Steps Visual Basic 2008 in Simple Steps [KOGENT SOLUTIONS INC] on Amazon ... Visual Basic 2008 in Simple Steps. 4.0 4.0 out of 5 stars 2 Reviews. Visual Basic 2008 ... Visual Basic 2008 Tutorial Apr 12, 2020 — Visual Basic 2008 Tutorial provides many FREE lessons to help everyone learn Visual Basic programming effortlessly. Installing Visual Basic In order to create Windows applications with the Visual Basic programming language you will first need to install a Visual Basic. Visual Basic 2008 in Simple Steps - Softcover Visual Basic 2008 in Simple Steps by KOGENT SOLUTIONS INC - ISBN 10: 8177229184 - ISBN 13: 9788177229189 - WILEY - 2009 - Softcover. Visual Basic 2008 In Simple Steps - Kogent Solutions Inc This is a book that helps you to learn Visual Basic using Visual Studio 2008. Precision, an easy-to-understanding style, real life examples in support of ... Creating Your First Program in Visual Basic : 7 Steps Step 1: Download Visual Basic · Step 2: Create Your Project. · Step 3: Add Controls · Step 4: Edit Control Properties · Step 5: Add Code · Step 6: Save and Test. Microsoft Visual Basic 2008 Step by Step eBook program is still quite simple with Visual Studio and Visual Basic 2008. You can construct a complete user interface by creating two objects, setting two ... Visual Basic 2008 in Simple Steps | PDF An all-inclusive book to * Quick and Easy learning in Sami teach you everything about Simple Steps drear ech Visual Basic 2008 * Mast preferred choice ...