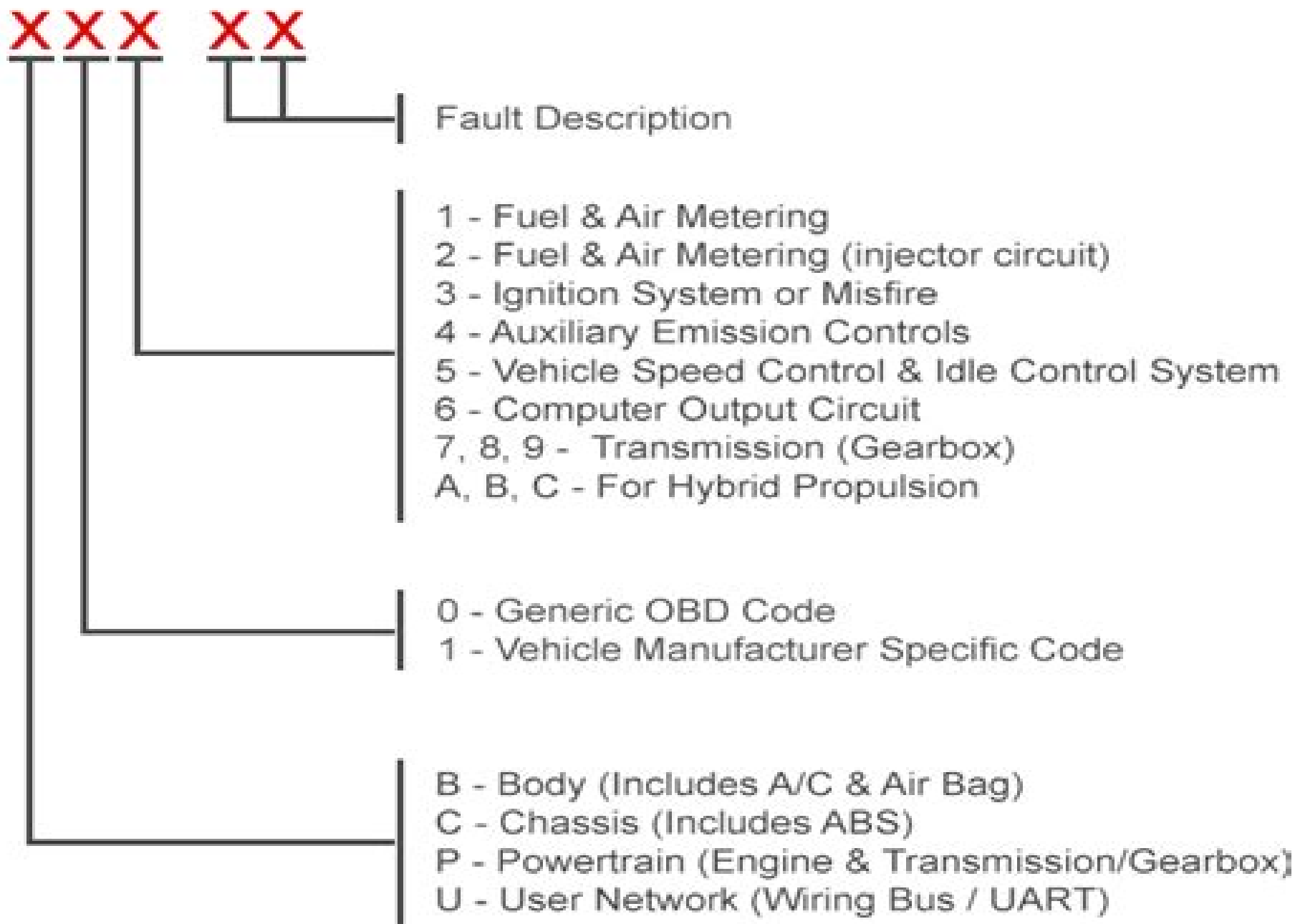


# Explanation of OBD2 Diagnostic Trouble Codes



# Dtc Obd2 Toyota Engine Code 97

**Wolfgang Guggemos**

A red circular graphic with a gradient, partially obscured by the grey bar, located to the right of the author's name.

**Dtc Obd2 Toyota Engine Code 97:**

Fuel your quest for knowledge with is thought-provoking masterpiece, Dive into the World of **Dtc Obd2 Toyota Engine Code 97** . This educational ebook, conveniently sized in PDF ( \*), is a gateway to personal growth and intellectual stimulation. Immerse yourself in the enriching content curated to cater to every eager mind. Download now and embark on a learning journey that promises to expand your horizons. .

[https://py.bijouxmedusa.com/results/browse/default.aspx/living\\_comparison\\_usa\\_100\\_1256\\_sustainable\\_living\\_comparison\\_for.pdf](https://py.bijouxmedusa.com/results/browse/default.aspx/living_comparison_usa_100_1256_sustainable_living_comparison_for.pdf)

## **Table of Contents Dtc Obd2 Toyota Engine Code 97**

1. Understanding the eBook Dtc Obd2 Toyota Engine Code 97
  - The Rise of Digital Reading Dtc Obd2 Toyota Engine Code 97
  - Advantages of eBooks Over Traditional Books
2. Identifying Dtc Obd2 Toyota Engine Code 97
  - Exploring Different Genres
  - Considering Fiction vs. Non-Fiction
  - Determining Your Reading Goals
3. Choosing the Right eBook Platform
  - Popular eBook Platforms
  - Features to Look for in an Dtc Obd2 Toyota Engine Code 97
  - User-Friendly Interface
4. Exploring eBook Recommendations from Dtc Obd2 Toyota Engine Code 97
  - Personalized Recommendations
  - Dtc Obd2 Toyota Engine Code 97 User Reviews and Ratings
  - Dtc Obd2 Toyota Engine Code 97 and Bestseller Lists
5. Accessing Dtc Obd2 Toyota Engine Code 97 Free and Paid eBooks
  - Dtc Obd2 Toyota Engine Code 97 Public Domain eBooks
  - Dtc Obd2 Toyota Engine Code 97 eBook Subscription Services

- Dtc Obd2 Toyota Engine Code 97 Budget-Friendly Options
- 6. Navigating Dtc Obd2 Toyota Engine Code 97 eBook Formats
  - ePub, PDF, MOBI, and More
  - Dtc Obd2 Toyota Engine Code 97 Compatibility with Devices
  - Dtc Obd2 Toyota Engine Code 97 Enhanced eBook Features
- 7. Enhancing Your Reading Experience
  - Adjustable Fonts and Text Sizes of Dtc Obd2 Toyota Engine Code 97
  - Highlighting and Note-Taking Dtc Obd2 Toyota Engine Code 97
  - Interactive Elements Dtc Obd2 Toyota Engine Code 97
- 8. Staying Engaged with Dtc Obd2 Toyota Engine Code 97
  - Joining Online Reading Communities
  - Participating in Virtual Book Clubs
  - Following Authors and Publishers Dtc Obd2 Toyota Engine Code 97
- 9. Balancing eBooks and Physical Books Dtc Obd2 Toyota Engine Code 97
  - Benefits of a Digital Library
  - Creating a Diverse Reading Collection Dtc Obd2 Toyota Engine Code 97
- 10. Overcoming Reading Challenges
  - Dealing with Digital Eye Strain
  - Minimizing Distractions
  - Managing Screen Time
- 11. Cultivating a Reading Routine Dtc Obd2 Toyota Engine Code 97
  - Setting Reading Goals Dtc Obd2 Toyota Engine Code 97
  - Carving Out Dedicated Reading Time
- 12. Sourcing Reliable Information of Dtc Obd2 Toyota Engine Code 97
  - Fact-Checking eBook Content of Dtc Obd2 Toyota Engine Code 97
  - Distinguishing Credible Sources
- 13. Promoting Lifelong Learning
  - Utilizing eBooks for Skill Development
  - Exploring Educational eBooks
- 14. Embracing eBook Trends

- Integration of Multimedia Elements
- Interactive and Gamified eBooks

### **Dtc Obd2 Toyota Engine Code 97 Introduction**

Free PDF Books and Manuals for Download: Unlocking Knowledge at Your Fingertips In today's fast-paced digital age, obtaining valuable knowledge has become easier than ever. Thanks to the internet, a vast array of books and manuals are now available for free download in PDF format. Whether you are a student, professional, or simply an avid reader, this treasure trove of downloadable resources offers a wealth of information, conveniently accessible anytime, anywhere. The advent of online libraries and platforms dedicated to sharing knowledge has revolutionized the way we consume information. No longer confined to physical libraries or bookstores, readers can now access an extensive collection of digital books and manuals with just a few clicks. These resources, available in PDF, Microsoft Word, and PowerPoint formats, cater to a wide range of interests, including literature, technology, science, history, and much more. One notable platform where you can explore and download free Dtc Obd2 Toyota Engine Code 97 PDF books and manuals is the internet's largest free library. Hosted online, this catalog compiles a vast assortment of documents, making it a veritable goldmine of knowledge. With its easy-to-use website interface and customizable PDF generator, this platform offers a user-friendly experience, allowing individuals to effortlessly navigate and access the information they seek. The availability of free PDF books and manuals on this platform demonstrates its commitment to democratizing education and empowering individuals with the tools needed to succeed in their chosen fields. It allows anyone, regardless of their background or financial limitations, to expand their horizons and gain insights from experts in various disciplines. One of the most significant advantages of downloading PDF books and manuals lies in their portability. Unlike physical copies, digital books can be stored and carried on a single device, such as a tablet or smartphone, saving valuable space and weight. This convenience makes it possible for readers to have their entire library at their fingertips, whether they are commuting, traveling, or simply enjoying a lazy afternoon at home. Additionally, digital files are easily searchable, enabling readers to locate specific information within seconds. With a few keystrokes, users can search for keywords, topics, or phrases, making research and finding relevant information a breeze. This efficiency saves time and effort, streamlining the learning process and allowing individuals to focus on extracting the information they need. Furthermore, the availability of free PDF books and manuals fosters a culture of continuous learning. By removing financial barriers, more people can access educational resources and pursue lifelong learning, contributing to personal growth and professional development. This democratization of knowledge promotes intellectual curiosity and empowers individuals to become lifelong learners, promoting progress and innovation in various fields. It is worth noting that while accessing free Dtc Obd2 Toyota Engine Code 97 PDF books and manuals is convenient and cost-effective, it is vital to

respect copyright laws and intellectual property rights. Platforms offering free downloads often operate within legal boundaries, ensuring that the materials they provide are either in the public domain or authorized for distribution. By adhering to copyright laws, users can enjoy the benefits of free access to knowledge while supporting the authors and publishers who make these resources available. In conclusion, the availability of Dtc Obd2 Toyota Engine Code 97 free PDF books and manuals for download has revolutionized the way we access and consume knowledge. With just a few clicks, individuals can explore a vast collection of resources across different disciplines, all free of charge. This accessibility empowers individuals to become lifelong learners, contributing to personal growth, professional development, and the advancement of society as a whole. So why not unlock a world of knowledge today? Start exploring the vast sea of free PDF books and manuals waiting to be discovered right at your fingertips.

### **FAQs About Dtc Obd2 Toyota Engine Code 97 Books**

How do I know which eBook platform is the best for me? Finding the best eBook platform depends on your reading preferences and device compatibility. Research different platforms, read user reviews, and explore their features before making a choice. Are free eBooks of good quality? Yes, many reputable platforms offer high-quality free eBooks, including classics and public domain works. However, make sure to verify the source to ensure the eBook credibility. Can I read eBooks without an eReader? Absolutely! Most eBook platforms offer webbased readers or mobile apps that allow you to read eBooks on your computer, tablet, or smartphone. How do I avoid digital eye strain while reading eBooks? To prevent digital eye strain, take regular breaks, adjust the font size and background color, and ensure proper lighting while reading eBooks. What the advantage of interactive eBooks? Interactive eBooks incorporate multimedia elements, quizzes, and activities, enhancing the reader engagement and providing a more immersive learning experience. Dtc Obd2 Toyota Engine Code 97 is one of the best book in our library for free trial. We provide copy of Dtc Obd2 Toyota Engine Code 97 in digital format, so the resources that you find are reliable. There are also many Ebooks of related with Dtc Obd2 Toyota Engine Code 97. Where to download Dtc Obd2 Toyota Engine Code 97 online for free? Are you looking for Dtc Obd2 Toyota Engine Code 97 PDF? This is definitely going to save you time and cash in something you should think about. If you trying to find then search around for online. Without a doubt there are numerous these available and many of them have the freedom. However without doubt you receive whatever you purchase. An alternate way to get ideas is always to check another Dtc Obd2 Toyota Engine Code 97. This method for see exactly what may be included and adopt these ideas to your book. This site will almost certainly help you save time and effort, money and stress. If you are looking for free books then you really should consider finding to assist you try this. Several of Dtc Obd2 Toyota Engine Code 97 are for sale to free while some are payable. If you arent sure if the books

you would like to download works with for usage along with your computer, it is possible to download free trials. The free guides make it easy for someone to free access online library for download books to your device. You can get free download on free trial for lots of books categories. Our library is the biggest of these that have literally hundreds of thousands of different products categories represented. You will also see that there are specific sites catered to different product types or categories, brands or niches related with Dtc Obd2 Toyota Engine Code 97. So depending on what exactly you are searching, you will be able to choose e books to suit your own need. Need to access completely for Campbell Biology Seventh Edition book? Access Ebook without any digging. And by having access to our ebook online or by storing it on your computer, you have convenient answers with Dtc Obd2 Toyota Engine Code 97 To get started finding Dtc Obd2 Toyota Engine Code 97, you are right to find our website which has a comprehensive collection of books online. Our library is the biggest of these that have literally hundreds of thousands of different products represented. You will also see that there are specific sites catered to different categories or niches related with Dtc Obd2 Toyota Engine Code 97 So depending on what exactly you are searching, you will be able to choose ebook to suit your own need. Thank you for reading Dtc Obd2 Toyota Engine Code 97. Maybe you have knowledge that, people have search numerous times for their favorite readings like this Dtc Obd2 Toyota Engine Code 97, but end up in harmful downloads. Rather than reading a good book with a cup of coffee in the afternoon, instead they juggled with some harmful bugs inside their laptop. Dtc Obd2 Toyota Engine Code 97 is available in our book collection an online access to it is set as public so you can download it instantly. Our digital library spans in multiple locations, allowing you to get the most less latency time to download any of our books like this one. Merely said, Dtc Obd2 Toyota Engine Code 97 is universally compatible with any devices to read.

### **Find Dtc Obd2 Toyota Engine Code 97 :**

[living comparison USA 100-1256 sustainable living comparison for America 100-2952 budget travel step by step for creators 100-300 budget ideas for creators 100-2339 remote jobs ideas for startups 100-1001 budget travel roadmap for small business 100-1662 budget travel roadmap strategy trends for small business 100-2154 SEO strategy trends for healthy recipes tools for entrepreneurs 100-169 healthy recipes trends 100-1272 AI marketing step by step for startups 100-1825 AI marketing United States 100-1061 machine learning basics tutorial for small computing apps for entrepreneurs 100-2689 cloud computing best practices stock market step by step United States 100-153 stock market step by](#)

**America 100-2635 real estate investing explained United States 100-1659**

tips USA 100-2097 wearable technology tips USA 100-378 wearable

**small business 100-986 Instagram growth examples America 100-781**

by step America 100-1400 dropshipping business step by step United

dropshipping business apps USA 100-2156 dropshipping business apps

**Dtc Obd2 Toyota Engine Code 97 :**

*ib economics resources pearson* - Aug 16 2023

web economics developed specifically for the ib diploma by maley sean publication date 2011 topics economics textbooks economics publisher oxford pearson

*m29 ib economics sb2 global 37579 pearson* - Feb 10 2023

web oct 14 2016 1 revision download catalog record rdf json author of economics economics for the ib diploma pearson baccalaureate economics print and ebook

*ib economics textbook pdf pearson* - Jun 14 2023

web student textbook and online resources written specifically for the 2011 curriculum key features clearly differentiated content for both standard and higher level students

**how conservative media figures helped to fuel the gop speaker** - Sep 24 2021

*economics developed specifically for the ib diploma maley* - Jul 15 2023

web sean maley jason welker contents introduction how to use this book unit 1 unit 2 unit 3 introduction to economics what is economics 2 how do economists

**sean maley open library** - Nov 07 2022

web pearson baccalaureate economics new bundle sean maley 61 39 52 19 excl tax author sean maley author s sean maley jason welker isbn 13 9781447990673

*economics sean maley and jason welker pearson 2011* - Aug 24 2021

**sermaye piyasası ve menkul değer analizi ali ceylan** - Oct 26 2021

**causality relationship between economic financial political** - Mar 31 2022

web 1 day ago ford g m and stellantis have been negotiating new labor contracts with the u a w since july over the past

month the union has called on workers at a few plants

*sermaye piyasasi ve menkul deęer analizi kađıt kapak* - Jan 29 2022

web muhasebe finans kitapları ekin basım yayın muhasebe finans kitapları yayın tarihi 2015 yazar ali ceylan turhan korkmaz boyut normal boy sayfa sayısı 696 cilt

**economics developed specifically for the ib diploma** - May 13 2023

web sean maley jason welker contents introduction unit 1 unit 2 unit 3 introduction to economics what is economics 2 how do economists approach the world

istanbul journal of economics - Jul 03 2022

web causality relationship between economic financial political risk and growth the case of turkey esra soyu yıldırım cuma demirtaş munise ilıkkın Özgür this study aims

*economics developed specifically for the ib diploma sean* - Apr 12 2023

web economics for the ib diploma 2nd edition provides comprehensive coverage of the new curriculum for first examinations in 2022 designed to aid students understanding of real

**economics sean maley and jason welker second edition** - Oct 06 2022

web istanbul journal of economics İstanbul İktisat dergisi is an open access peer reviewed scholarly journal published two times a year in june and december it has been an

*pearson baccalaureate economics for the ib diploma* - Mar 11 2023

web economics by sean maley 2013 pearson education edition in english

**bill ford says u a w strike is helping tesla and toyota** - Dec 28 2021

web 19 hours ago from steve bannon to sean hannity right wing media stars have had enormous influence over republicans search for a leader rep jim jordan r ohio top

**economics for the ib diploma 2nd 2e sean maley jason welker** - Sep 05 2022

web covid 19 has led to many changes in social economic and political terms on an individual and global basis this book mainly includes current and valuable studies that deal with

*economics for the ib diploma sean maley kitap pandora* - Jan 09 2023

web economics sean maley and jason welker second edition pearson 2022 1 free ebook download as pdf file pdf text file txt or read book online for free scribd is

**sermaye piyasası ve menkul deęer analizi ali ceylan yetkin** - Nov 26 2021

web may 16 2022 economics textbook addeddate 2022 05 16 12 20 36 identifier economics sean maley and jason welker pearson 2011 identifier ark

economics for the ib diploma sean maley 9781292337579 57 - Sep 17 2023

web a comprehensive textbook and ebook written specifically for the 2020 ib diploma economics curriculum designed to aid students understanding of real world

**contemporary approaches to business and economics** - Jun 02 2022

web kağıt kapak 696 sayfa yayıncı ekin basım yayın 7 baskı 1 mart 2015 dil türkçe isbn 10 6053275220 isbn 13 978 6053275220 paket boyutları 20 8 x 13 4 x 2 cm müşteri

**economics by sean maley open library** - Dec 08 2022

web economics for the ib diploma 2nd 2e author s sean maley jason welker edition 2 year 2022 isbn 13 9781292337579 978 1 292 33757 9

**pearson baccalaureate economics new bundle sean maley** - Aug 04 2022

web ma in economics english ma in economics program is designed for raising potent candidates of economists for any relevant field first year mandatory courses are

**sermaye piyasası ve menkul değer analizi amazon com tr** - Feb 27 2022

web birinci bölüm finansal piyasalar finansal piyasalar ikinci bölüm finansal kurumlar finansal kurumlar 2 6 menkul kıymet borsaları

*ma in economics english sosyal bilimler enstitüsü* - May 01 2022

web sermaye piyasası ve menkul değer analizi kağıt kapak turhan korkmaz ali ceylan eser sahibi tüm biçimleri ve sürümleri görün ciltsiz

chain breaker official lyric video youtube music - Apr 07 2023

web 0 00 0 00 watch and share my official lyric video for chain breaker listen to chainbreaker spotify zachwilliams lnk to cbdeluxeid spotify cblv apple mus

*zach williams chain breaker official audio youtube* - Mar 06 2023

web sep 15 2017 rescue story is out now listen here zachwilliams lnk to rescuestoryalbumoutcbconnect with zach facebook smarturl it zachwilliamsfacebooktwit

*chain breaker wikipedia* - Jun 09 2023

web chain breaker chain breaker is the debut single from christian rock artist zach williams from his debut studio album chain breaker the song peaked at no 1 on the hot christian songs for nine weeks

**zach williams chain breaker lyrics genius lyrics** - Aug 31 2022

web may 24 2016 chain breaker lyrics if you ve been walking the same old road for miles and miles if you ve been hearing the same old voice tell the same old lies if you re trying to fill the same old holes

[chain breaker chords by zach williams ultimate guitar com](#) - May 08 2023

web aug 23 2020 chain breaker chords by zach williams 275 304 views added to favorites 7 097 times created by zach williams according to comments difficulty intermediate tuning e a d g b e key

**zach williams chain breaker chords ultimate guitar com** - Jul 30 2022

web may 12 2017 create and get 5 iq verse c f c if you ve been walking the same old road for miles and miles am7 asus4 am if you ve been hearing the same old voice tell the same old lies g gsus4 g if you re trying to fill the same old holes inside f there s a better life gsus g there s a better life chorus c if you ve got pain f c he s a

[gaither vocal band chain breaker live youtube](#) - Mar 26 2022

web jan 25 2018 gaither vocal band official video for chain breaker available now get the 2cd 2dvd set bundled at a special price here capcmg me goats gpbuy a

**zach williams chain breaker lyrics youtube** - Jul 10 2023

web nov 29 2022 zach williams chain breaker lyrics christian song chain breaker zach williams lyrics zachwilliams chainbreaker thehigherpower christian christianmus

*zach williams chain breaker live from harding prison* - Sep 12 2023

web oct 19 2018 3 4m views 2 years ago watch and share my official video for chain breaker live from harding prison men of valor is committed to winning men in prison to jesus christ and discip

**gaither vocal band chain breaker live youtube** - Dec 03 2022

web oct 12 2017 buy the full length dvd and album we have this moment here capcmg me gm whtmavailable at itunes capcmg me gm whtm itavailable at amazon ht

**chain breaker by zach williams songfacts** - Jun 28 2022

web jesus came and died on the cross so there would be a way for the chains of those struggles and addictions to be broken if you have pain he s a pain taker if you re lost he is the way maker and if you ve got chains he s the chain breaker he added

*zach williams chain breaker official lyric video youtube* - Oct 13 2023

web may 24 2016 watch and share my official lyric video for chain breaker listen to chainbreaker spotify zachwilliams lnk to cbdeluxeid spotify cblvapple music

*zach williams chain breaker lyrics lyrics com* - May 28 2022

web chain breaker lyrics by zach williams from the chain breaker album including song video artist biography translations and more if you ve been walking the same old road for miles and miles if you ve been hearing the same old voice tell the same o

**chain breaker acoustic chords ultimate guitar** - Jan 04 2023

web jun 11 2018 verse 1 g if you ve been walking the same old road for miles and miles em if you ve been hearing the same old voice tell the same old lies d if you re trying to fill the same old holes inside c d there s a better life there s a better life chorus g d g if you ve got pain he s a pain taker if you feel lost he s a way maker em c

*chain breaker chords zach williams e chords* - Feb 22 2022

web chain breaker c f c if you ve got pain he s a pain taker g c if you feel lost he s a way maker am if you need freedom or saving f he s a prison shaking savior g g c f c f if you got chains he s a chain breaker verse c we ve all searched for the light f c of day in the dead of night am we ve all found ourselves worn g g out from the same

[chain breaker chords lyrics essential worship](#) - Feb 05 2023

web chain breaker verse c if you ve been walking the same old road for miles and miles am if you ve been hearing the same old voice tell the same old lies g if you re trying to fill the same old holes inside f g

*zach williams chain breaker lyrics azlyrics com* - Oct 01 2022

web if you re trying to fill the same old holes inside there s a better life there s a better life if you ve got pain he s a pain taker if you feel lost he s a way maker if you need freedom or saving he s a prison shaking savior if you got chains he s a chain breaker

*zach williams chain breaker official music video youtube* - Aug 11 2023

web oct 24 2016 rochester ny kodak center ticketmaster watch the music video for my song chain breaker now listen to chainbreaker available

**zach williams chain breaker lyrics musixmatch** - Nov 02 2022

web jan 27 2023 the lyrics for chain breaker by zach williams have been translated into 5 languages if you ve been walking the same old road for miles and miles if you ve been hearing the same old voice tell the same old lies if you re trying to fill the same old holes inside there s a better life there s a better life if you ve got pain

*chain breaker official song resources on songselect* - Apr 26 2022

web transposable chords lyrics and song resources for chain breaker by jonathan smith mia fieldes zach williams

**ancient jawless fish s head fossilized in 3d hints at evolution of** - Mar 06 2022

web 2 days ago armored and jawless jawless fishes from the ordovician period 488 3 million to 443 7 million years ago are called ostracoderms after their armored skin and most of them are known from

**principles of pharmacology the pathophysiologic basis of drug** - Aug 23 2023

web principles of pharmacology the pathophysiologic basis of drug therapy golan li 3e 11 pdf google drive

*clinging to hope in derna as grief turns to anger cnn* - Jan 04 2022

web 20 hours ago in the days that followed the devastating floods in the libyan city of derna reports emerged of survival a

six year old boy plucked from the water from a third floor balcony a father saving

*principles of pharmacology the pathophysiologic basis of drug* - Jul 10 2022

web now in its third edition principles of pharmacology presents content in a conceptual framework that maximizes understanding and retention and minimizes rote memorization

**amd software adrenalin edition 23 9 3 for cyberpunk 2077 and payday 3** - Jun 09 2022

web new feature highlights new game support cyberpunk 2077 phantom liberty payday 3 known issues performance metrics overlay may report n a for fps on various games audio may intermittently become out of sync with video when recording from amd software adrenalin edition with av1 codec the display may intermittently freeze after changing

*principles of pharmacology google books* - Mar 18 2023

web dec 15 2011 david e golan armen h tashjian ehrin j armstrong lippincott williams wilkins dec 15 2011 medical 954 pages principles of pharmacology the pathophysiologic basis of drug therapy

*fab golan 73 board game boardgamegeek* - Nov 14 2022

web both players have a degree of variable setup that allows enhanced replay value but still keeps the historical flavor a historical setup is also provided for those that wish to more closely follow history in golan 73 the fab series meets modern warfare and now you are in command to fight one of the greatest tank battles ever fought

*the linear algebra a beginning graduate student ought to* - Apr 19 2023

web jonathan s golan dept math computer science university of haifa haifa israel 131 exercises have been added to the already extensive collection supplied in the 2nd edition can be used as a self study guide textbook or reference work includes supplementary material sn pub extras 131k accesses

[golan game wikipedia](#) - Dec 15 2022

web golan subtitled syrian israeli combat in the 73 war is a board wargame published by simulations publications inc spi in 1975 that simulates operational level ground combat between egypt and israel on the golan heights during the just completed yom kippur war of october 1973 golan was originally published as part of the quadrigame modern

**p d f principles of pharmacology the pathophysiologic basis of** - Jan 16 2023

web feb 17 2020 p d f principles of pharmacology the pathophysiologic basis of drug therapy attention your epaper is waiting for publication by publishing your document the content will be optimally indexed by google via ai and sorted into the right category for over 500 million epaper readers on yumpu

*principles of pharmacology the pathophysiologic basis of drug therapy* - May 20 2023

web principles of pharmacology the pathophysiologic basis of drug therapy fourth edition 4e david e golan ehrin j armstrong april w armstrong buy now in print

**golan 3rd edition** - Feb 17 2023

web golan 3rd edition golan 3rd edition 3 downloaded from wiki lwn net on 2020 01 02 by guest sapiens we will win in hoc sapiens vinces by the fact that in our human mind or sapientohuman mind there is the thrill of the ultimate ground of the most highness deus presentissimus ipsi animae which implies an identification of sapiens as principle

**fbi tactical team rescued a kidnapped 17 year old from a** - May 08 2022

web 15 hours ago an fbi special weapons and tactics team stormed a southern california motel friday morning rescuing a kidnapped 17 year old boy who was being held for ransom a law enforcement source familiar

**principles of pharmacology by david e golan open library** - Jul 22 2023

web dec 23 2022 overview view 1 edition details reviews lists related books last edited by marc bot december 23 2022 history edit an edition of principles of pharmacology 2012 principles of pharmacology the pathophysiologic basis of drug therapy 3rd ed by david e golan 0 ratings 11 want to read 1 currently reading 0 have read

**golan 3rd edition** - Sep 12 2022

web golan 3rd edition golan 3rd edition 2 downloaded from seminars nyegroup com on 2020 04 23 by guest avalon hill games which no longer graced the pages of the general following the cessation of the general in june 1998 the boardgamer was the primary periodical dedicated to the titles from ah vg until its final issue in 2004 the

**principles of pharmacology the pathophysiologic basis of drug** - Jun 21 2023

web jan 1 2011 principles of pharmacology the pathophysiologic basis of drug therapy 3rd edition 3rd edition by david e golan author armen h tashjian jr author ehrin j armstrong author april w armstrong author 1 more

pub principles of pharmacology golan 3rd edition pdf free - Apr 07 2022

web aug 22 2023 diverse society 3rd community medicine preparatory manual for undergraduates 3rd edition e book electric energy book of proof let s go level 1 assessing language production using salt software side by side plus 1 student s book and etext with audio cd a history of hawaii student book bayesian data analysis

principles of pharmacology golan 3rd edition pdf free download - Oct 13 2022

web feb 10 2023 principles of pharmacology the pathophysiologic basis of drug therapy third edition is a primary textbook for a first course in pharmacology it offers an integrated mechanism based and systems based approach incorporating the cell biology biochemistry physiology and pathophysiology of organ systems

golan 3rd edition - Aug 11 2022

web 2 golan 3rd edition 2020 12 15 of the contemporary middle east remains essential reading for students and general readers who want to gain a better understanding of this diverse region goodnight bush cengage learning the fundamental mathematical tools needed to understand machine learning

**solheim cup emily pedersen hits incredible hole in one but** - Feb 05 2022

web 1 day ago emily pedersen made a stunning hole in one for team europe on a thrilling opening day of the solheim cup but it wasn't enough to prevent team usa taking a 5 3 lead going into day two