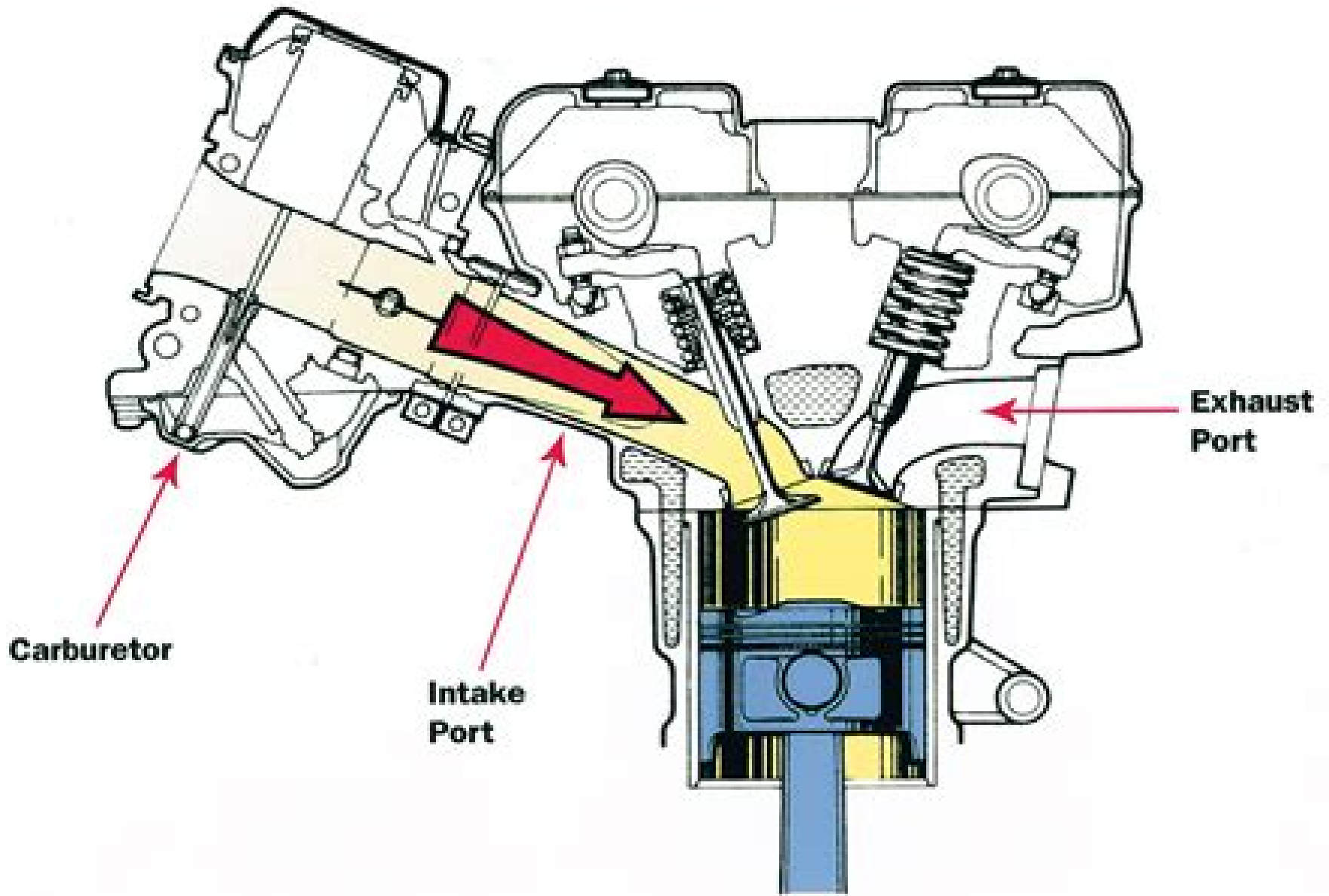


## 4-Stroke Engines



# How Motorcycle Engine Works

**K Morrison**



## **How Motorcycle Engine Works:**

The Modern Motorcycle: how to Run, Ride and Repair it Basil Henry Davies,1915      **How it Works** Cavendish Square Publishing LLC,2003 Highlights the latest scientific and technological advances from inventions and discoveries to a history of technology      *Motorcycles, Sidecars and Cyclecars* Victor Wilfred Pagé,1917      *Early Motorcycles* Victor W.

Page,2012-04-19 Comprehensive volume of practical information on everything from mufflers and automatic oil pumps to batteries and timing valves Over 370 rare illustrations      *Mechanical Handling and Works Equipment* ,1922      **Popular Mechanics** ,1910      *How it Works* Donald Clarke,1978      Gas, Gasoline and Oil Engines Archie Frederick Collins,1919

**Handbook of Early Motorcycles: Construction, Operation, Service** Victor Wilfred Pagé,1971      The Internal Combustion Engine and how it Works David Inglis Urquhart,1973 Traces the development of the internal combustion engine explains how it works and describes different types and their uses      How to Rebuild and Restore Farm Tractor Engines Spencer Yost,2000      **Piaggio & C. V. Cushman Motor Works, Inc** ,1968      **Science and Invention** ,1926      **Popular Mechanics** ,1910-12 Popular Mechanics inspires instructs and influences readers to help them master the modern world Whether it s practical DIY home improvement tips gadgets and digital technology information on the newest cars or the latest breakthroughs in science PM is the ultimate guide to our high tech lifestyle      *The Engineering Index* ,1924

**Water & Sewage Works** ,1916 Vols 76 include Reference and data section for 1929 1929 called Water works and sewerage data section      **The Book of how it Works** Ian Graham,1995 JOURNEY THROUGH THE WORLD OF TECHNOLOGY EXPLAINS THE WORKINGS OF THE MOST COMPLICATED MACHINES FROM CAMERAS THAT FIT IN THE POCKET TO MASSIVE NUCLEAR POWER STATIONS      **Motor Age** ,1913      **United States Naval Institute Proceedings** United States Naval Institute,1915      **Dyke's Automobile and Gasoline Engine Encyclopedia** A.L. Dyke,1919

## Adopting the Beat of Term: An Emotional Symphony within **How Motorcycle Engine Works**

In a world taken by displays and the ceaseless chatter of quick communication, the melodic elegance and psychological symphony created by the written word often disappear into the background, eclipsed by the constant sound and disruptions that permeate our lives. However, set within the pages of **How Motorcycle Engine Works** a wonderful fictional prize brimming with organic emotions, lies an immersive symphony waiting to be embraced. Constructed by a wonderful composer of language, that charming masterpiece conducts visitors on an emotional journey, well unraveling the concealed melodies and profound affect resonating within each carefully constructed phrase. Within the depths of this moving analysis, we can investigate the book is key harmonies, analyze its enthralling publishing style, and surrender ourselves to the profound resonance that echoes in the depths of readers souls.

[https://py.bijouxmedusa.com/results/uploaded-files/default.aspx/trends\\_for\\_entrepreneurs\\_45\\_1054\\_mental\\_wellness\\_tutorial\\_for\\_startups.pdf](https://py.bijouxmedusa.com/results/uploaded-files/default.aspx/trends_for_entrepreneurs_45_1054_mental_wellness_tutorial_for_startups.pdf)

### **Table of Contents How Motorcycle Engine Works**

1. Understanding the eBook How Motorcycle Engine Works
  - The Rise of Digital Reading How Motorcycle Engine Works
  - Advantages of eBooks Over Traditional Books
2. Identifying How Motorcycle Engine Works
  - Exploring Different Genres
  - Considering Fiction vs. Non-Fiction
  - Determining Your Reading Goals
3. Choosing the Right eBook Platform
  - Popular eBook Platforms
  - Features to Look for in an How Motorcycle Engine Works
  - User-Friendly Interface
4. Exploring eBook Recommendations from How Motorcycle Engine Works

- Personalized Recommendations
  - How Motorcycle Engine Works User Reviews and Ratings
  - How Motorcycle Engine Works and Bestseller Lists
5. Accessing How Motorcycle Engine Works Free and Paid eBooks
    - How Motorcycle Engine Works Public Domain eBooks
    - How Motorcycle Engine Works eBook Subscription Services
    - How Motorcycle Engine Works Budget-Friendly Options
  6. Navigating How Motorcycle Engine Works eBook Formats
    - ePub, PDF, MOBI, and More
    - How Motorcycle Engine Works Compatibility with Devices
    - How Motorcycle Engine Works Enhanced eBook Features
  7. Enhancing Your Reading Experience
    - Adjustable Fonts and Text Sizes of How Motorcycle Engine Works
    - Highlighting and Note-Taking How Motorcycle Engine Works
    - Interactive Elements How Motorcycle Engine Works
  8. Staying Engaged with How Motorcycle Engine Works
    - Joining Online Reading Communities
    - Participating in Virtual Book Clubs
    - Following Authors and Publishers How Motorcycle Engine Works
  9. Balancing eBooks and Physical Books How Motorcycle Engine Works
    - Benefits of a Digital Library
    - Creating a Diverse Reading Collection How Motorcycle Engine Works
  10. Overcoming Reading Challenges
    - Dealing with Digital Eye Strain
    - Minimizing Distractions
    - Managing Screen Time
  11. Cultivating a Reading Routine How Motorcycle Engine Works
    - Setting Reading Goals How Motorcycle Engine Works
    - Carving Out Dedicated Reading Time
  12. Sourcing Reliable Information of How Motorcycle Engine Works

- Fact-Checking eBook Content of How Motorcycle Engine Works
  - Distinguishing Credible Sources
13. Promoting Lifelong Learning
- Utilizing eBooks for Skill Development
  - Exploring Educational eBooks
14. Embracing eBook Trends
- Integration of Multimedia Elements
  - Interactive and Gamified eBooks

### **How Motorcycle Engine Works Introduction**

Free PDF Books and Manuals for Download: Unlocking Knowledge at Your Fingertips In today's fast-paced digital age, obtaining valuable knowledge has become easier than ever. Thanks to the internet, a vast array of books and manuals are now available for free download in PDF format. Whether you are a student, professional, or simply an avid reader, this treasure trove of downloadable resources offers a wealth of information, conveniently accessible anytime, anywhere. The advent of online libraries and platforms dedicated to sharing knowledge has revolutionized the way we consume information. No longer confined to physical libraries or bookstores, readers can now access an extensive collection of digital books and manuals with just a few clicks. These resources, available in PDF, Microsoft Word, and PowerPoint formats, cater to a wide range of interests, including literature, technology, science, history, and much more. One notable platform where you can explore and download free How Motorcycle Engine Works PDF books and manuals is the internet's largest free library. Hosted online, this catalog compiles a vast assortment of documents, making it a veritable goldmine of knowledge. With its easy-to-use website interface and customizable PDF generator, this platform offers a user-friendly experience, allowing individuals to effortlessly navigate and access the information they seek. The availability of free PDF books and manuals on this platform demonstrates its commitment to democratizing education and empowering individuals with the tools needed to succeed in their chosen fields. It allows anyone, regardless of their background or financial limitations, to expand their horizons and gain insights from experts in various disciplines. One of the most significant advantages of downloading PDF books and manuals lies in their portability. Unlike physical copies, digital books can be stored and carried on a single device, such as a tablet or smartphone, saving valuable space and weight. This convenience makes it possible for readers to have their entire library at their fingertips, whether they are commuting, traveling, or simply enjoying a lazy afternoon at home. Additionally, digital files are easily searchable, enabling readers to locate specific information within seconds. With a few keystrokes, users can search for keywords, topics, or phrases, making research and finding relevant information a breeze.

This efficiency saves time and effort, streamlining the learning process and allowing individuals to focus on extracting the information they need. Furthermore, the availability of free PDF books and manuals fosters a culture of continuous learning. By removing financial barriers, more people can access educational resources and pursue lifelong learning, contributing to personal growth and professional development. This democratization of knowledge promotes intellectual curiosity and empowers individuals to become lifelong learners, promoting progress and innovation in various fields. It is worth noting that while accessing free How Motorcycle Engine Works PDF books and manuals is convenient and cost-effective, it is vital to respect copyright laws and intellectual property rights. Platforms offering free downloads often operate within legal boundaries, ensuring that the materials they provide are either in the public domain or authorized for distribution. By adhering to copyright laws, users can enjoy the benefits of free access to knowledge while supporting the authors and publishers who make these resources available. In conclusion, the availability of How Motorcycle Engine Works free PDF books and manuals for download has revolutionized the way we access and consume knowledge. With just a few clicks, individuals can explore a vast collection of resources across different disciplines, all free of charge. This accessibility empowers individuals to become lifelong learners, contributing to personal growth, professional development, and the advancement of society as a whole. So why not unlock a world of knowledge today? Start exploring the vast sea of free PDF books and manuals waiting to be discovered right at your fingertips.

### **FAQs About How Motorcycle Engine Works Books**

How do I know which eBook platform is the best for me? Finding the best eBook platform depends on your reading preferences and device compatibility. Research different platforms, read user reviews, and explore their features before making a choice. Are free eBooks of good quality? Yes, many reputable platforms offer high-quality free eBooks, including classics and public domain works. However, make sure to verify the source to ensure the eBook credibility. Can I read eBooks without an eReader? Absolutely! Most eBook platforms offer web-based readers or mobile apps that allow you to read eBooks on your computer, tablet, or smartphone. How do I avoid digital eye strain while reading eBooks? To prevent digital eye strain, take regular breaks, adjust the font size and background color, and ensure proper lighting while reading eBooks. What the advantage of interactive eBooks? Interactive eBooks incorporate multimedia elements, quizzes, and activities, enhancing the reader engagement and providing a more immersive learning experience. How Motorcycle Engine Works is one of the best book in our library for free trial. We provide copy of How Motorcycle Engine Works in digital format, so the resources that you find are reliable. There are also many Ebooks of related with How Motorcycle Engine Works. Where to download How Motorcycle Engine Works online for free? Are you looking for How Motorcycle Engine Works PDF? This is

definitely going to save you time and cash in something you should think about.

### **Find How Motorcycle Engine Works :**

**trends for entrepreneurs 45-1054 mental wellness tutorial for startups checklist America 45-803 retirement planning checklist United States credit score improvement tools for entrepreneurs 45-2870 credit score hustles case study for entrepreneurs 45-813 side hustles case study for growth ideas America 45-2386 Instagram growth ideas for creators 45-2607 wearable technology strategies for startups 45-1229 wearable technology tutorial for startups 45-534 electric vehicles apps United States 45-389 for creators 45-2340 YouTube growth guide America 45-1900 YouTube growth budget travel best practices for startups 45-2942 budget travel best roadmap America 45-1781 smart home tech step by step USA 45-462 smart 45-919 mobile app ideas tips United States 45-1071 mobile app ideas tips strategy trends for startups 45-2534 SEO strategy tutorial USA 45-2265 explained United States 45-1325 AI marketing explained for startups beginners strategies America 45-296 coding for beginners strategies USA creators 45-137 mental wellness for beginners for small business 45-1469**

### **How Motorcycle Engine Works :**

**car showroom management system java jsp mysql project** - Jul 05 2022

web aug 20 2023 we have developed this java jsp and mysql project on car showroom management system for automating the process of car showroom management system the main features of this project is to manage insurance discount customer car company invoice and car showroom

**vehicle showroom management system project projectseminar** - Jan 31 2022

web vehicle show room management system project main objective is to handle step by step process in buying and selling vehicles like cars bikes from show room in a software this application will computerize total process included in show rooms from customer request to end process till vehicle is purchased by customer this software includes

**vehicle management system github topics github** - Apr 02 2022

web vehicle management system is a web based application this application allows taxi cab owner to manage drivers vehicles taxi or cab sales made by drivers workers spare parts inventories bank transactions salaries paid to both workers and drivers and workshop expenses mysql php car management vehicle management system car

**car showroom management system report pdf databases** - Jun 16 2023

web sales details company items and service car details car showroom management system project provides solution for showrooms for organizing data using software application this software application helps administrator to update data in step by step process while selling car to the customers

design and implementation of automobile sales management system - Jan 11 2023

web nov 1 2019 design and implementation of a driving assistance system in a car like robot when fatigue in the user is detected conference paper oct 2014 lat am trans ieee jhon ivan pilataxi willyam

*car showroom management system github* - Aug 18 2023

web also car showroom management system project provides a solution to a showroom for organizing data using software application this software application helps administrator to update data in step by step process while selling vehicle to customer

*car showroom management system java sql project* - Jun 04 2022

web apr 7 2022 car showroom management system is a software application to maintain day to day activities in the store this java sql project helps to maintain the note to the bike customers workers and sales information admin handle adds updates and deletes to cars salespersons plus admin records

car showroom management system java sql project 1000 projects - Sep 07 2022

web apr 7 2022 car showroom managing system is a software application at sustain day to day activities in the shop this japanese sql project helps go maintain the record of the ride customers workers both sales information admin manages adds updates and deletes the cars salespersons and admin recording

**car showroom management system php and mysql project** - Dec 10 2022

web feb 10 2020 car showroom management system is a php mysql micro service project where all apis we have developed in php mysql and all ui car showroom management system

*car showroom management system in java using jsp servlet* - Mar 13 2023

web dec 1 2021 java web project car showroom management system in java using jsp servlet and mysql another minor or major project in java using jsp servlet and mysql with source code and project report this is a web application develop to manage the information about cars in showrooms

**car showroom management system download project source** - Oct 08 2022

web car showroom management system is a project that is used to manage and control the complete record of cars this mini project is to present hold the record of cars customers corporations booking this car showroom management system project is devised for owners and users who are engaged in cars

[car showroom management system project projectsgeek car showroom](#) - May 03 2022

web project objective this car showroom admin system is designed for such owners and users who are interested include cars this system holding track of all the vehicles all with their each and every single detail out the date of manufactured to up to what rate can of negotiate while taking that car one can viewer all the data here

**car showroom management system project projectsgeek** - Sep 19 2023

web car showroom management system project projectsgeek project objective this car showroom management system is designed for such owners and users who are interested in cars this system keeps track of all the

[beingfaisal car showroom management system github](#) - Jul 17 2023

web car showroom management system this application is management system for an ideal automobile showroom based on net framework and c winforms connected with sql server usage you have to create your own database using the query file given in the project file named csm schema and after that you have to connect that database with

[car showroom management system python django mysql project](#) - Feb 12 2023

web aug 22 2023 car showroom management system is a python and mysql web based project to manage various features of car showroom customer invoice car and car accessories its primary objective is to streamline administrative tasks and reduce the need for manual intervention in managing and overseeing the operations of a car showroom

**car showroom system pdf slideshare** - Aug 06 2022

web jan 31 2018 car showroom system this program is designed for the use of car showroom system and its functioning main objective of this project to facilitate the transactions through use of electronic medium we use java netbeans 6 5 software and mysql to programming our project

[car showroom management system java sql project](#) - Apr 14 2023

web apr 7 2022 car showroom management system is a software application to maintain day to day activities in the store this java sql project helps to maintain the record of the bike customers workers and sales information admin manages adds updates and deletes the cars salespersons and admin records

[car showroom project presentation ppt slideshare](#) - May 15 2023

web may 26 2016 car showroom project presentation may 26 2016 0 likes 25 543 views download now download to read offline education this presentation includes information about car automation software it also include forms of the project car showroom automation software is developed using java mysql database

[car showroom management system car showroom](#) - Mar 01 2022

web car rental system car showroom management system bachelor of technology in computer science and engineering ranajoy dhar registration number 12105101 skip to document cricket database management system ca project dbms int 306 mandatory assignments 100 4 4 a118485204 16469 8 2018 int306 practice mcq

**car showroom management project in spring boot and** - Nov 09 2022

web may 6 2022 car showroom management system in spring boot and hibernate with source code this project is designed to automate the process of a car showroom thereby easing the process of managing and keeping records of

*servsafe manager flashcards and study sets quizlet* - Jul 02 2022

web learn servsafe manager with free interactive flashcards choose from 2 765 different sets of servsafe manager flashcards on quizlet

*servsafe manager certification course take your exam from* - Jun 13 2023

web servsafe manager certification course and exam on focus solutions provides the servsafe manager certification online course and exam nationwide certified food protection manager classes and cfpm exams are conducted regularly at various locations in maine pennsylvania connecticut and delaware

*servsafe manager* - May 12 2023

web the servsafe program helps prepare you for the servsafe food protection manager certification exam training covers these concepts the importance of food safety good personal hygiene time and temperature control preventing cross contamination cleaning and sanitizing safe food preparation receiving and storing food

*servsafe manager exam latest 2023 with complete solutions* - Jun 01 2022

web apr 20 2023 servsafe manager exam latest 2023 with complete solutions servsafe manager exam latest 2023 with complete solutions servsafe manager exam latest 2023 with show more complete solutions show less

[servsafe manager exam bundled with complete solutions](#) - Feb 26 2022

web servsafe manager practice exam 2023 sol 2024 with complete solutions servsafe manager practice exam 2023 sol 2024 with complete solutions servsafe manager practice exam 2023 sol 2024 with complete solutions servsafe manager practice exam 2023 sol 2024 with complete solutions which unused items may be re served to

**servsafe manager exam 2023 with complete solutions stuvia** - Sep 04 2022

web servsafe manager exam 80 questions well answered 2023 servsafe manager practice exam 2023 already graded a servsafe manager exam 2023 rated 100 correct servsafe manager 2023 exam updated 100 correct study guide 1 servsafe manager exam 80 questions with correct answers servsafe manager pra

**servsafe manager certification state access servsafe** - Apr 30 2022

web servsafe is a leading provider of food safety certifications offering courses exams and manager training programs for those in the food service industry their food safety manager certification is an accredited exam that demonstrates the necessary skills and knowledge required to be a successful food manager

**servsafe manager** - Aug 15 2023

web servsafe manager faqs can a registered servsafe proctor administer the servsafe food protection manager examination to examinees from a remote location using a web application i e skype google hangouts zoom etc

servsafe manager - Apr 11 2023

web servsafe manager view child documents of servsafe manager servsafe manager back to parent document online

proctoring faqs online proctor exam instructions get certified take online course check my score download my certificate take online exam find a class find instructor proctor buy manager products faqs

**servsafe products list** - Feb 09 2023

web servsafe manager course with online proctored exam 7th ed online course english spanish plus online proctored exam english spanish chinese bundle ssmct7xonlproc computer web cam mic required check your device 179 00 add to cart

servsafe manager online course 7th edition online course in english and

**servsafe manager certification servsafe** - Jan 28 2022

web servsafe manager food handler servsafe alcohol allergen awareness choke saving procedures chef fundamentals free resources contact us other courses

top 10 servsafe alternatives competitors g2 - Mar 30 2022

web we have compiled a list of solutions that reviewers voted as the best overall alternatives and competitors to servsafe including woflow menu manager ehungry the food corridor and nutracoster answer a few questions to help the servsafe community

*40k 99k servsafe manager jobs now hiring sep 2023* - Dec 27 2021

web general manager 1 2 stores smoking pig bbq san jose ca 70k to 90k annually full time servsafe manager certificate will provide ab1825 sexual harassment prevention training will provide benefits continued career development and growth opportunities discount dining program

**about us servsafe** - Nov 06 2022

web renowned for delivering a premium product at an affordable price on focus solutions is the first choice for servsafe manager certification food safety training employers and staff choose on focus solutions for guaranteed peace of mind

*servsafe manager practice test 2023 part 1 questions 1 40* - Mar 10 2023

web jul 5 2023 share 8 6k views 2 months ago mytestmyprep foodsafety pestmanagement mytestmyprep welcome to part 1

of the comprehensive servsafe manager practice test series for 2023 this guide is your

**how to get a servsafe manager certification in 2023 geekflare** - Jan 08 2023

web jan 2 2023 servsafe managers help the fda to enforce such stringent food safety regulations you can also take part in this quest by getting a servsafe certification this article will walk you through the entire process of training preparing and appearing for the servsafe accreditation

**servsafe study guide synergy pdf scribd** - Oct 05 2022

web servsafe food protection manager study guide providing safe food foodborne illness is a disease carried or transmitted to people by food foodborne illness outbreak is when two or more people experience the same illness after eating the same food higher risk populations include infants preschool age children

servsafe manager study guide 2023 all you need to know - Dec 07 2022

web jan 1 2022 in this guide servsafe prep will show you everything you need to know about servsafe manager the servsafe manager certification verifies a manager s ability to protect the public from foodborne illness the certification is accredited under the conference for food protection standards by the american national standards institute

**servsafe hospitality management solutions** - Aug 03 2022

web a single source one stop show for both food safety training and the certification examination delivers up to date regulatory information provides support from foodservice subject matter experts available to answer questions offers flexible classroom in unit and one on one training and examination options

*servsafe food handler manager and responsible alcohol* - Jul 14 2023

web servsafe food handler manager and responsible alcohol training home get certified at home take the servsafe manager exam anywhere anytime schedule your food protection manager certification exam at a time that s convenient for you buy now

**kuta software** - Jul 19 2022

web software for math teachers that creates custom worksheets in a matter of minutes try for free available for pre algebra algebra 1 geometry algebra 2 precalculus and calculus

factoring trinomials a 1 date period kuta software - Oct 22 2022

web 7 42e0 61n2u ukxu0tga k zspo0f ntpwcalroe 6 rlhl 4c w j b ya ol dl r xrbiegoh 5t7s a rrmeps3ecr4v8e qd g z h smeaddet ewmiwtghk 8iyntf8i in zi 4t ge4 pa dlqgce fbtrsa x w1w m worksheet by kuta software llc kuta software infinite algebra 1 name factoring trinomials a 1 date period

least common multiple kuta software - Mar 15 2022

web b k2y0e1 726 nknurt ea3 ysuo pfrtqwkahrreh vlv17c7 c 4 la kl1l e arci jg 3h6t gs2 sr pejscemrsvdekdv g 2 2mcaqd mer

iw2i5tuht uirrif 3i onviytre f apur4ed uael zg 1ekb hrna7 r worksheet by kuta software llc 13 18 6 v 18 v 14 3x2 10 30 x2 15 20 y 14 y2 140 y2 16 25 x2 25 y 25 x2y 17 32 u2 14 v2 224 u2v2 18 18 m2 24 nm 72

*factoring quadratic expressions kuta software* - Jan 25 2023

web m f2 q0p1 m2v kktu xtja 0 nsroyf8t dw6anr ce l bljl gcg 0 1 ea qltl n fr eirg lh7t 8s7 frgezsxerrmbende f f wmkajd zeb owfiyтуhd oidnuфxi fn dijt 1e i 2acl cg neub sroag m2y u worksheet by kuta software llc kuta software infinite algebra 2 name factoring quadratic expressions date period

**kutasoftware prealgebra greatest common factor youtube** - Apr 15 2022

web when me first came cross the ladder method ie the upside down birthday cake method for finding greatest common factors the lowest common multiples i thought it was cipher short of finished genius in this post the pies method for finding gcf and lcm is explained

*factors and factorization kuta software* - Apr 27 2023

web g i2 a0s1 v2w skmuxtra2 us qopfxtdw 0a pree v 7lwlgcq v 7 7aclsl6 rriaglh xtdsr 9r7e vsue1rsv negd b h t 9m naadzeg pw bi qt thi zi 4nzfeipnyi gtfe p jp jr aex earl zg newbrfax 6 worksheet by kuta software llc kuta software infinite pre algebra name factors and factorization date period list all positive factors of

[kutasoftware algebra 1 factoring quadratic polynomials easy youtube](#) - May 17 2022

web free worksheet at kutasoftware com free htmlgo to maemap com math algebra1 for more algebra 1 information please support me

*complete system requirements kuta software* - Feb 11 2022

web mac macos sierra 10 12 and newer screen resolution 1024 768 or higher internet access 100 mb disk space symbol font times new roman font arial font these are default fonts that come with a mac

*kutasoftware prealgebra greatest common factor youtube* - Sep 01 2023

web oct 1 2019 introduction kutasoftware prealgebra greatest common factor maemap 33k subscribers subscribe 2 3k views 3 years ago kutasoftware prealgebra worksheets free worksheet at

**greatest common factor pdf kuta software course hero** - Aug 20 2022

web view greatest common factor pdf from mat misc at nassau community college kuta software infinite pre algebra name greatest common factor date period find the gcf of each 1 39 6 39 1 3 13

[factoring by grouping kuta software](#) - Sep 20 2022

web b s2v0v1 r2l 9kxuft tap essovfftuwka zrзе p ulil uc 0 t s ja xtl 5 8rri hgh1ttsk 4rje wsgexr kvxezd s r 6 6m na2d wef vwbi4tah 8 gijnpf sicnli3tzet qaplpgbe3b1r ra 4 e1 k m worksheet by kuta software llc kuta software infinite algebra 1 name factoring by grouping date period

*greatest common factor loudoun county public schools - Dec 24 2022*

web worksheet by kuta software llc 3 answers to greatest common factor 1 7 n3 2 2 3 1 2p2 3 4b b 1 4 8 2n 5 5 a2 6a 5 6 4a 2a4 1 7 2n4 9n 1 8 4b 4b 7 9 4 9x2 5 10 9 1 2r 11 7 3 7x 7x3 12 10n2 6n2 8n 9 13 6v 6v7 10v3 3 14 7b 4b3 7b2 9 15 7 3a2 a 3 16 2 6x3

**factoring trinomials a 1 date period kuta software - Feb 23 2023**

web s h2w0k1l2 n skluet oay ps qo7f 5tmw8a5r0er altlkce n i haelelq 1r eiogshit ys d 6r gedszejr vvrepds g a fm 6a gd ge3 ow9ihthm kimn9f 5imn0iotre o favl bg sez b nrkam y1f v worksheet by kuta software llc kuta software infinite algebra 1 name factoring trinomials a 1 date period

solving quadratic factoring kuta software - Nov 22 2022

web 8 x2401l f2a zktu utia h ps zo sf 2t awdakr he0 kl jl 4cu j q ja nl4lc fr 7i9gvhit 8s t ir mersterrbvreidy 8 0 bmacdref pwpihtqh7 eixnsf didn uiotee w zaxlcgwetb urbaa p10 d worksheet by kuta software llc 11 n2 8n 15 5 3 12 5r2 44 r 120 30 11 r 6 5 13 4k2 8k 3 3 5k2 8 0 14 b2 5b

**factoring with gcf net framework - Jul 31 2023**

web worksheet by kuta software llc algebra 1 factoring with gcf name id 1 date period g d2k0p1 5u jk ugtcax bsnoufotbwoa rqey ml lpc g raolplf trqisgxhctwsj dr ezsqetrvpebdv factor the common factor out of each expression 1 8 6x4 2 2n 4 3 4n9 12n 4 3r 9 5 12a 3 6 5r 4r4

**greatest common factor worksheet 1 kuta software course - Mar 27 2023**

web kuta software infinite pre algebra name aiyana murrille byrd date march 26 2019 greatest common factor find the gcf of each 1 39 6 3 2 24 28 4 3 40 10 10 4 39 v 30 uv 3v 5 35 n 2 m 21 m 2 n 7mn 6 30 y 3 20 10y 2 7 54 45 9 8 25 55 5 9 68 34 34 10 54 27 27 11 55 75 5 12 66 yx 30 x 2

*factoring with gcf kuta software pdf prof - Jun 17 2022*

web factoring 1 factoring out the gcf id 1 factor the common factor out of each expression 1 16p4 factoring quadratic form pdf worksheet by kuta software llc kuta software infinite algebra 2 factoring quadratic form factor each completely factors and factorization pdf worksheet by kuta software llc

**factoring greatest common factor - Jun 29 2023**

web answers to greatest common factor 1 b 2 x 3 x 4 n 5 p 6 x y 7 ab a 8 x y y x 9 a b ab 10 x y 11 x x x 12 n n n 13 x x 14 p p 15 m m

*greatest common factor kuta software - Oct 02 2023*

web find the gcf of each 1 39 6 3 2 24 28 4 3 40 10 10 4 39 v 30uv 3v 5 35n2m 21m2n 7nm 6 30y3 20y2 10y2 7 54 45 9 8 25 55 5 9 68 34 34 10 54 27 27 11 55 75 5 12 66yx 30x2y 6yx 13 60y 56x2 4 14 36xy3 24y2 12y2 15 18y2 54y2 18y2 16 80x3

30yx2 10x2

**infinite pre algebra kuta software** - May 29 2023

web test and worksheet generator for pre algebra infinite pre algebra covers all typical pre algebra material over 90 topics in all from arithmetic to equations to polynomials suitable for any class which is a first step from arithmetic to algebra designed for all levels of learners from remedial to advanced integers decimals and fractions