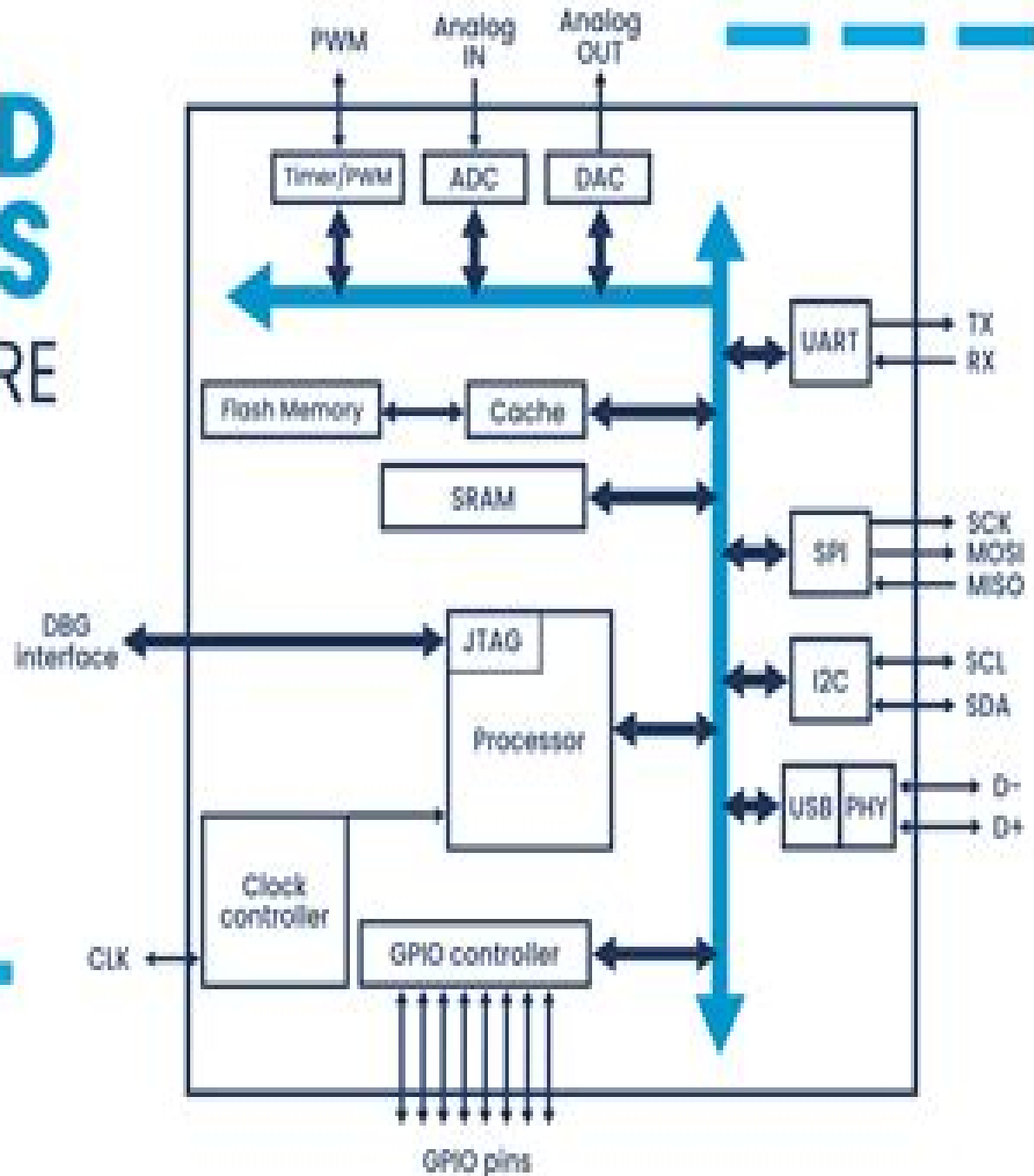


# EMBEDDED SYSTEMS ARCHITECTURE



IN Tech House



# Embedded Software The Works

**KJ Lindholm-Leary**



## **Embedded Software The Works:**

**Embedded Software** Colin Walls, 2012-03-28 1 What Makes an Embedded Application Tick 2 Memory in Embedded Systems 3 Memory Architectures 4 How Software Influences Hardware Design 5 Migrating your Software to a New Processor Architecture 6 Embedded Software for Transportation Applications 7 How to Choose a CPU for Your SoC Design 8 An Introduction to USB Software 9 Towards USB 3.0

*Embedded Software* Colin Walls, 2012 *Embedded Software* Jean Labrosse, Jack Ganssle, Robert Oshana, Colin Walls, Keith Curtis, Jason Andrews, David Katz, Rick Gentile, Kamal Hyder, Bob Perrin, 2007 The Newnes Know It All Series takes the best of what our authors have written to create hard working desk references that will be an engineer's first port of call for key information design techniques and rules of thumb Guaranteed not to gather dust on a shelf Embedded software is present everywhere from a garage door opener to implanted medical devices to multicore computer systems This book covers the development and testing of embedded software from many different angles and using different programming languages Optimization of code and the testing of that code are detailed to enable readers to create the best solutions on time and on budget Bringing together the work of leading experts in the field this a comprehensive reference that every embedded developer will need Chapter 1 Basic Embedded Programming Concepts Chapter 2 Device Drivers Chapter 3 Embedded Operating Systems Chapter 4 Networking Chapter 5 Error Handling and Debugging Chapter 6 Hardware Software Co Verification Chapter 7 Techniques for Embedded Media Processing Chapter 8 DSP in Embedded Systems Chapter 9 Practical Embedded Coding Techniques Chapter 10 Development Technologies and Trends Proven real world advice and guidance from such name authors as Tammy Noergard Jen LaBrosse and Keith Curtis Popular architectures and languages fully discussed Gives a comprehensive detailed overview of the techniques and methodologies for developing effective efficient embedded software

*Embedded software* Walls Colin, 2012 **Embedded Software, 2nd Edition** Colin Walls, 2012 As the embedded world expands developers must have a strong grasp of many complex topics in order to make faster more efficient and more powerful microprocessors to meet the public's growing demand Embedded Software The Works covers all the key subjects embedded engineers need to understand in order to succeed including Design and Development Programming Languages including C, C++ and UML Real Time Operating Systems Considerations Networking and much more New material on Linux Android and multi core gives engineers the up to date practical know how they need in order to succeed Colin Walls draws upon his experience and insights from working in the industry and covers the complete cycle of embedded software development its design development management debugging procedures licensing and reuse For those new to the field or for experienced engineers looking to expand their skills Walls provides the reader with detailed tips and techniques and rigorous explanations of technologies Key features include New chapters on Linux Android and multi core the cutting edge of embedded software development Introductory roadmap guides readers through the book providing a route through the separate chapters and showing how they are linked About the Author

Colin Walls has over twenty five years experience in the electronics industry largely dedicated to embedded software A frequent presenter at conferences and seminars and author of numerous technical articles and two books on embedded software he is a member of the marketing team of the Mentor Graphics Embedded Software Division He writes a regular blog on the Mentor website blogs.mentor.com/colinwalls New chapters on Linux Android and multi core the cutting edge of embedded software development Introductory roadmap guides readers through the book providing a route through the separate chapters and showing how they are linked

**Embedded Software: Know It All** Jean J. Labrosse, Bob Perrin, Jack Ganssle, Robert Oshana, Colin Walls, Keith E. Curtis, Jason Andrews, David J. Katz, Rick Gentile, Kamal Hyder, 2007-09-14 The Newnes Know It All Series takes the best of what our authors have written to create hard working desk references that will be an engineer's first port of call for key information design techniques and rules of thumb Guaranteed not to gather dust on a shelf Embedded software is present everywhere from a garage door opener to implanted medical devices to multicore computer systems This book covers the development and testing of embedded software from many different angles and using different programming languages Optimization of code and the testing of that code are detailed to enable readers to create the best solutions on time and on budget Bringing together the work of leading experts in the field this a comprehensive reference that every embedded developer will need Proven real world advice and guidance from such name authors as Tammy Noergard Jen LaBrosse and Keith Curtis Popular architectures and languages fully discussed Gives a comprehensive detailed overview of the techniques and methodologies for developing effective efficient embedded software

*Programming Embedded Systems* Michael Barr, Anthony Massa, 2006-10-11 Authored by two of the leading authorities in the field this guide offers readers the knowledge and skills needed to achieve proficiency with embedded software

*Embedded Software Development for Safety-Critical Systems* Chris Hobbs, 2017-09-07 I highly recommend Mr Hobbs book Stephen Thomas PE Founder and Editor of FunctionalSafetyEngineer.com Safety critical devices whether medical automotive or industrial are increasingly dependent on the correct operation of sophisticated software Many standards have appeared in the last decade on how such systems should be designed and built Developers who previously only had to know how to program devices for their industry must now understand remarkably esoteric development practices and be prepared to justify their work to external auditors Embedded Software Development for Safety Critical Systems discusses the development of safety critical systems under the following standards IEC 61508 ISO 26262 EN 50128 and IEC 62304 It details the advantages and disadvantages of many architectural and design practices recommended in the standards ranging from replication and diversification through anomaly detection to the so called safety bag systems Reviewing the use of open source components in safety critical systems this book has evolved from a course text used by QNX Software Systems for a training module on building embedded software for safety critical devices including medical devices railway systems industrial systems and driver assistance devices in cars Although the book describes open source tools for the most part it

also provides enough information for you to seek out commercial vendors if that's the route you decide to pursue. All of the techniques described in this book may be further explored through hundreds of learned articles. In order to provide you with a way in the author supplies references he has found helpful as a working software developer. Most of these references are available to download for free.

[Embedded Software Development for Safety-Critical Systems, Second Edition](#) Chris Hobbs, 2019-08-16. This is a book about the development of dependable embedded software. It is for systems designers, implementers, and verifiers who are experienced in general embedded software development but who are now facing the prospect of delivering a software-based system for a safety-critical application. It is aimed at those creating a product that must satisfy one or more of the international standards relating to safety-critical applications, including IEC 61508, ISO 26262, EN 50128, EN 50657, IEC 62304, or related standards. Of the first edition, Stephen Thomas, PE, Founder and Editor of FunctionalSafetyEngineer.com, said: "I highly recommend Mr. Hobbs' book."

**Software Engineering Research, Management and Applications 2010** Alain Abran, Roger Lee, Olga Ormandjieva, Constantinos Constantinides, 2010-05-12. The purpose of the 8th Conference on Software Engineering, Artificial Intelligence, Research, Management, and Applications (SERA 2010) held on May 24-26, 2010, in Montreal, Canada, was to bring together scientists, engineers, computer users, and students to share their experiences and exchange new ideas and research results about all aspects: theory, applications, and tools of computer and information science, and to discuss the practical challenges encountered along the way and the solutions adopted to solve them. The conference organizers selected 15 outstanding papers from SERA 2010, all of which you will find in this volume of Springer's *Studies in Computational Intelligence*.

[Embedded Systems Architecture](#) Tammy Noergaard, 2005-02-28. This comprehensive textbook provides a broad and in-depth overview of embedded systems architecture for engineering students and embedded systems professionals. The book is well-suited for undergraduate embedded systems courses in electronics, electrical engineering, and engineering technology (EET) departments in universities and colleges, as well as for corporate training of employees. The book is a readable and practical guide covering embedded hardware, firmware, and applications. It clarifies all concepts with references to current embedded technology as it exists in the industry today, including many diagrams and applicable computer code. Among the topics covered in detail are hardware components including processors, memory, buses, and I/O systems; software including device drivers and operating systems; use of assembly language and high-level languages such as C and Java; interfacing and networking; case studies of real-world embedded designs; applicable standards grouped by system application. Without a doubt, the most accessible, comprehensive, yet comprehensible book on embedded systems ever written. Leading companies and universities have been involved in the development of the content. An instant classic.

*Software Engineering, Artificial Intelligence, Networking and Parallel/Distributed Computing* Roger Lee, 2008-08-18. The 9th ACIS International Conference on Software Engineering, Artificial Intelligence, Networking, and Parallel Distributed Computing, held in Phuket, Thailand, on August 6-8, 2008, is aimed at

bringing together researchers and scientist businessmen and entrepreneurs teachers and students to discuss the numerous fields of computer science and to share ideas and information in a meaningful way This publication captures 20 of the conference s most promising papers and we impatiently await the important contributions that we know these authors will bring to the field

[Embedded RTOS Design](#) Colin Walls,2020-12-04 Embedded RTOS Design Insights and Implementation combines explanations of RTOS concepts with detailed practical implementation It gives a detailed description of the implementation of a basic real time kernel designed to be limited in scope and simple to understand which could be used for a real design of modest complexity The kernel features upward compatibility to a commercial real time operating system Nucleus RTOS Code is provided which can be used without restriction Gain practical information on Scheduling preemption and interrupts Information flow queues semaphores etc and how they work Signaling between tasks signals events etc Memory management Where does each task get its stack from What happens if the stack overflows The CPU context storage and retrieval after a context switch With this book you will be able to Utilize a basic real time kernel to develop your own prototype Design RTOS features Understand the facilities of a commercial RTOS

**Information Systems** Efrem G. Mallach,2015-08-18 Most information systems IS texts overwhelm business students with overly technical information they may not need in their careers This textbook takes a new approach to the required IS course for business majors For each topic covered the text highlights key Take Aways that alert students to material they will need to remember during their careers Sections titled Where You Fit In and Why This Chapter Matters explain how the topics being covered will impact students once they are on the job Review questions discussion questions and summaries are included in each chapter

*Co-verification of Hardware and Software for ARM SoC Design* Jason Andrews,2004-09-04 Hardware software co verification is how to make sure that embedded system software works correctly with the hardware and that the hardware has been properly designed to run the software successfully before large sums are spent on prototypes or manufacturing This is the first book to apply this verification technique to the rapidly growing field of embedded systems on a chip SoC As traditional embedded system design evolves into single chip design embedded engineers must be armed with the necessary information to make educated decisions about which tools and methodology to deploy SoC verification requires a mix of expertise from the disciplines of microprocessor and computer architecture logic design and simulation and C and Assembly language embedded software Until now the relevant information on how it all fits together has not been available Andrews a recognized expert provides in depth information about how co verification really works how to be successful using it and pitfalls to avoid He illustrates these concepts using concrete examples with the ARM core a technology that has the dominant market share in embedded system product design The companion CD ROM contains all source code used in the design examples a searchable e book version and useful design tools The only book on verification for systems on a chip SoC on the market Will save engineers and their companies time and money by showing them how to speed up the testing process while

still avoiding costly mistakes Design examples use the ARM core the dominant technology in SoC and all the source code is included on the accompanying CD Rom so engineers can easily use it in their own designs

Software Product Line Engineering Klaus Pohl,Günter Böckle, Frank J. van der Linden,2005-08-03 Software product line engineering has proven to be the methodology for developing a diversity of software products and software intensive systems at lower costs in shorter time and with higher quality In this book Pohl and his co authors present a framework for software product line engineering which they have developed based on their academic as well as industrial experience gained in projects over the last eight years They do not only detail the technical aspect of the development but also an integrated view of the business organisation and process aspects are given In addition they explicitly point out the key differences of software product line engineering compared to traditional single software system development as the need for two distinct development processes for domain and application engineering respectively or the need to define and manage variability

Air Force Software Sustainment and Maintenance of Weapons Systems National Academies of Sciences, Engineering, and Medicine, Division on Engineering and Physical Sciences, Air Force Studies Board, Committee on Software Sustainment and Maintenance of Weapons Systems,2020-07-09 Modern software engineering practices pioneered by the commercial software community have begun transforming Department of Defense DoD software development integration processes and deployment cycles DoD must further adopt and adapt these practices across the full defense software life cycle and this adoption has implications for software maintenance and software sustainment across the U S defense community Air Force Software Sustainment and Maintenance of Weapons Systems evaluates the current state of software sustainment within the U S Air Force and recommends changes to the software sustainment enterprise This report assesses how software that is embedded within weapon platforms is currently sustained within the U S Air Force identifies the unique requirements of software sustainment develops and recommends a software sustainment work breakdown structure and identifies the necessary personnel skill sets and core competencies for software sustainment

**Embedded Software for the IoT** Klaus Elk,2018-12-03 With a mixture of theory examples and well integrated figures Embedded Software for the IoT helps the reader understand the details in the technologies behind the devices used in the Internet of Things It provides an overview of IoT parameters of designing an embedded system and good practice concerning code version control and defect tracking needed to build and maintain a connected embedded system After presenting a discussion on the history of the internet and the world wide web the book introduces modern CPUs and operating systems The author then delves into an in depth view of core IoT domains including Wired and wireless networking Digital filters Security in embedded and networked systems Statistical Process Control for Industry 4 0 This book will benefit software developers moving into the embedded realm as well as developers already working with embedded systems

**Electronic Design** ,1996 *Embedded Software Development* Ivan Cibrario Bertolotti, Tingting Hu,2017-12-19 Embedded Software Development The Open Source Approach delivers a practical

introduction to embedded software development with a focus on open source components This programmer centric book is written in a way that enables even novice practitioners to grasp the development process as a whole Incorporating real code fragments and explicit real world open source operating system references in particular FreeRTOS throughout the text Defines the role and purpose of embedded systems describing their internal structure and interfacing with software development tools Examines the inner workings of the GNU compiler collection GCC based software development system or in other words toolchain Presents software execution models that can be adopted profitably to model and express concurrency Addresses the basic nomenclature models and concepts related to task based scheduling algorithms Shows how an open source protocol stack can be integrated in an embedded system and interfaced with other software components Analyzes the main components of the FreeRTOS Application Programming Interface API detailing the implementation of key operating system concepts Discusses advanced topics such as formal verification model checking runtime checks memory corruption security and dependability Embedded Software Development The Open Source Approach capitalizes on the authors extensive research on real time operating systems and communications used in embedded applications often carried out in strict cooperation with industry Thus the book serves as a springboard for further research

Right here, we have countless books **Embedded Software The Works** and collections to check out. We additionally find the money for variant types and after that type of the books to browse. The enjoyable book, fiction, history, novel, scientific research, as well as various new sorts of books are readily handy here.

As this Embedded Software The Works, it ends stirring living thing one of the favored books Embedded Software The Works collections that we have. This is why you remain in the best website to look the amazing book to have.

[https://py.bijouxmedusa.com/data/scholarship/fetch.php/Cancionero\\_Del\\_Club\\_Ukelele\\_Valencia.pdf](https://py.bijouxmedusa.com/data/scholarship/fetch.php/Cancionero_Del_Club_Ukelele_Valencia.pdf)

## **Table of Contents Embedded Software The Works**

1. Understanding the eBook Embedded Software The Works
  - The Rise of Digital Reading Embedded Software The Works
  - Advantages of eBooks Over Traditional Books
2. Identifying Embedded Software The Works
  - Exploring Different Genres
  - Considering Fiction vs. Non-Fiction
  - Determining Your Reading Goals
3. Choosing the Right eBook Platform
  - Popular eBook Platforms
  - Features to Look for in an Embedded Software The Works
  - User-Friendly Interface
4. Exploring eBook Recommendations from Embedded Software The Works
  - Personalized Recommendations
  - Embedded Software The Works User Reviews and Ratings
  - Embedded Software The Works and Bestseller Lists
5. Accessing Embedded Software The Works Free and Paid eBooks
  - Embedded Software The Works Public Domain eBooks

- Embedded Software The Works eBook Subscription Services
- Embedded Software The Works Budget-Friendly Options
- 6. Navigating Embedded Software The Works eBook Formats
  - ePub, PDF, MOBI, and More
  - Embedded Software The Works Compatibility with Devices
  - Embedded Software The Works Enhanced eBook Features
- 7. Enhancing Your Reading Experience
  - Adjustable Fonts and Text Sizes of Embedded Software The Works
  - Highlighting and Note-Taking Embedded Software The Works
  - Interactive Elements Embedded Software The Works
- 8. Staying Engaged with Embedded Software The Works
  - Joining Online Reading Communities
  - Participating in Virtual Book Clubs
  - Following Authors and Publishers Embedded Software The Works
- 9. Balancing eBooks and Physical Books Embedded Software The Works
  - Benefits of a Digital Library
  - Creating a Diverse Reading Collection Embedded Software The Works
- 10. Overcoming Reading Challenges
  - Dealing with Digital Eye Strain
  - Minimizing Distractions
  - Managing Screen Time
- 11. Cultivating a Reading Routine Embedded Software The Works
  - Setting Reading Goals Embedded Software The Works
  - Carving Out Dedicated Reading Time
- 12. Sourcing Reliable Information of Embedded Software The Works
  - Fact-Checking eBook Content of Embedded Software The Works
  - Distinguishing Credible Sources
- 13. Promoting Lifelong Learning
  - Utilizing eBooks for Skill Development
  - Exploring Educational eBooks

## 14. Embracing eBook Trends

- Integration of Multimedia Elements
- Interactive and Gamified eBooks

### **Embedded Software The Works Introduction**

In the digital age, access to information has become easier than ever before. The ability to download Embedded Software The Works has revolutionized the way we consume written content. Whether you are a student looking for course material, an avid reader searching for your next favorite book, or a professional seeking research papers, the option to download Embedded Software The Works has opened up a world of possibilities. Downloading Embedded Software The Works provides numerous advantages over physical copies of books and documents. Firstly, it is incredibly convenient. Gone are the days of carrying around heavy textbooks or bulky folders filled with papers. With the click of a button, you can gain immediate access to valuable resources on any device. This convenience allows for efficient studying, researching, and reading on the go. Moreover, the cost-effective nature of downloading Embedded Software The Works has democratized knowledge. Traditional books and academic journals can be expensive, making it difficult for individuals with limited financial resources to access information. By offering free PDF downloads, publishers and authors are enabling a wider audience to benefit from their work. This inclusivity promotes equal opportunities for learning and personal growth. There are numerous websites and platforms where individuals can download Embedded Software The Works. These websites range from academic databases offering research papers and journals to online libraries with an expansive collection of books from various genres. Many authors and publishers also upload their work to specific websites, granting readers access to their content without any charge. These platforms not only provide access to existing literature but also serve as an excellent platform for undiscovered authors to share their work with the world. However, it is essential to be cautious while downloading Embedded Software The Works. Some websites may offer pirated or illegally obtained copies of copyrighted material. Engaging in such activities not only violates copyright laws but also undermines the efforts of authors, publishers, and researchers. To ensure ethical downloading, it is advisable to utilize reputable websites that prioritize the legal distribution of content. When downloading Embedded Software The Works, users should also consider the potential security risks associated with online platforms. Malicious actors may exploit vulnerabilities in unprotected websites to distribute malware or steal personal information. To protect themselves, individuals should ensure their devices have reliable antivirus software installed and validate the legitimacy of the websites they are downloading from. In conclusion, the ability to download Embedded Software The Works has transformed the way we access information. With the convenience, cost-effectiveness, and accessibility it offers, free PDF downloads have become a popular choice for students, researchers, and book lovers.

worldwide. However, it is crucial to engage in ethical downloading practices and prioritize personal security when utilizing online platforms. By doing so, individuals can make the most of the vast array of free PDF resources available and embark on a journey of continuous learning and intellectual growth.

### **FAQs About Embedded Software The Works Books**

**What is a Embedded Software The Works PDF?** A PDF (Portable Document Format) is a file format developed by Adobe that preserves the layout and formatting of a document, regardless of the software, hardware, or operating system used to view or print it. **How do I create a Embedded Software The Works PDF?** There are several ways to create a PDF: Use software like Adobe Acrobat, Microsoft Word, or Google Docs, which often have built-in PDF creation tools. Print to PDF: Many applications and operating systems have a "Print to PDF" option that allows you to save a document as a PDF file instead of printing it on paper. Online converters: There are various online tools that can convert different file types to PDF. **How do I edit a Embedded Software The Works PDF?** Editing a PDF can be done with software like Adobe Acrobat, which allows direct editing of text, images, and other elements within the PDF. Some free tools, like PDFescape or Smallpdf, also offer basic editing capabilities. **How do I convert a Embedded Software The Works PDF to another file format?** There are multiple ways to convert a PDF to another format: Use online converters like Smallpdf, Zamzar, or Adobe Acrobats export feature to convert PDFs to formats like Word, Excel, JPEG, etc. Software like Adobe Acrobat, Microsoft Word, or other PDF editors may have options to export or save PDFs in different formats. **How do I password-protect a Embedded Software The Works PDF?** Most PDF editing software allows you to add password protection. In Adobe Acrobat, for instance, you can go to "File" -> "Properties" -> "Security" to set a password to restrict access or editing capabilities. Are there any free alternatives to Adobe Acrobat for working with PDFs? Yes, there are many free alternatives for working with PDFs, such as: LibreOffice: Offers PDF editing features. PDFsam: Allows splitting, merging, and editing PDFs. Foxit Reader: Provides basic PDF viewing and editing capabilities. How do I compress a PDF file? You can use online tools like Smallpdf, ILovePDF, or desktop software like Adobe Acrobat to compress PDF files without significant quality loss. Compression reduces the file size, making it easier to share and download. Can I fill out forms in a PDF file? Yes, most PDF viewers/editors like Adobe Acrobat, Preview (on Mac), or various online tools allow you to fill out forms in PDF files by selecting text fields and entering information. Are there any restrictions when working with PDFs? Some PDFs might have restrictions set by their creator, such as password protection, editing restrictions, or print restrictions. Breaking these restrictions might require specific software or tools, which may or may not be legal depending on the circumstances and local laws.

**Find Embedded Software The Works :**

**cancionero del club ukelele valencia**

**cancer visualisation et dr carl simonton**

**capitalism and slavery eric williams**

*cambridge english advanced 1 for revised exam from 2015 student s book without answers*

*cambridge essential maths year 7*

**calculus with differential equations 9th edition varberg**

**calculus early transcendentals dale varberg edwin j**

**by phil williams classic readings and contemporary debates in international relations 3rd third edition**

**career development and vocational behavior of racial and ethnic minorities contemporary topics in vocational psychology series**

*by stuart ira fox human physiology 11th edition*

*carrier air conditioning system design manual byboomore*

**campbell biology chapter 33 test preparation**

*by sandra lee mckay teaching english overseas an introduction oxford handbooks for language teachers later printing paperback*

**cambridge igcse food and nutrition 0648**

**caesar 2 pipe stress analysis**

**Embedded Software The Works :**

The Humanistic Tradition, Book 6:... by Fiero, Gloria Interdisciplinary in approach and topical in focus, the sixth edition of The Humanistic Tradition continues to bring to life humankind's creative legacy. The Humanistic Tradition, Book 6 - Amazon Available in multiple formats, The Humanistic Tradition explores the political, economic, and social contexts of human culture, providing a global and ... The Humanistic Tradition 6th Edition Gloria K. Fiero The Humanistic Tradition 6th Edition Gloria K. Fiero. Condition is Good. Shipped with USPS Priority Mail. Text highlighting (pictured) The Humanistic Tradition, Book 6: Modernism ... Interdisciplinary in approach and topical in focus, the sixth edition of The Humanistic Tradition continues to bring to life humankind's creative legacy. The Humanistic Tradition, Book 6: Modernism, ... Interdisciplinary in approach and topical in focus, the sixth edition of "The Humanistic Tradition" continues to bring to life humankind's creative legacy. The Humanistic Tradition, Book 6: Modernism ... Find the best prices on The Humanistic Tradition, Book 6:

Modernism, Postmodernism, and the Global Perspective by Fiero, Gloria at BIBLIO | Paperback | 2010 ... The Humanistic Tradition, Book 6:... book by Gloria K. Fiero Interdisciplinary in approach and topical in focus, the sixth edition of The Humanistic Tradition continues to bring to life humankind's creative legacy. The Humanistic Tradition, Book 6: Modernism, by Gloria ... Buy The Humanistic Tradition, Book 6: Modernism, Postmodernism, and the Global Perspective 6th edition by Gloria Fiero (ISBN: 9780077346256) online at ... The Humanistic Tradition 6th edition 9780077346256 ... Available in multiple formats, The Humanistic Tradition examines the political, economic, and social contexts out of which history's most memorable achievements ... Humanistic Tradition Book 6 by Gloria Fiero Buy The Humanistic Tradition Book 6 Modernism Postmodernism and the Global Perspective by Gloria Fiero ISBN 9780077346256 0077346254. Les Secrets de la casserole by This, Herve This is a great book for cooks, and for chemists. It explains the science of cooking in layman's terms, with the focus on French style cooking, and does so ... Amazon.com: Les secrets de la casserole: nouvelle édition Amazon.com: Les secrets de la casserole: nouvelle édition: 9782701149745: This, Hervé: Books. Les Secrets de la casserole - This, Herve: 9782701115856 Les Secrets de la casserole - Hardcover. This, Herve. 3.75 avg rating • ( 220 ratings by Goodreads ). View all 32 copies of Les Secrets de la casserole from US ... Les Secrets de la casserole Herve This Author. This, Herve ; Book Title. Les Secrets de la casserole Herve This ; Accurate description. 4.9 ; Reasonable shipping cost. 5.0 ; Shipping speed. 5.0. Les Secrets de la casserole Herve This Les Secrets de la casserole Herve This ; Item Number. 394996975267 ; Special Attributes. EX-LIBRARY ; Author. This, Herve ; Accurate description. 4.9 ; Reasonable ... Kitchen mysteries : revealing the science of cooking = Les ... Kitchen mysteries : revealing the science of cooking = Les secrets de la casserole ; Authors: Hervé. This, Jody Gladding (Translator) ; Edition: View all formats ... Les Secrets De La Casserole by Herve This-Benckhard Les Secrets De La Casserole by Herve This-Benckhard. Nature; London Vol. 368, Iss. 6472, (Apr 14, 1994): 595. Publisher logo. Links to publisher website ... Les secrets de la casserole. VonH. This. Éditions Bélin, ... by P Weyerstahl · 1996 — Les secrets de la casserole. VonH. This. Éditions Bélin, Paris, 1993. 222 S., geb. 110.00 FF. - ISBN 2-7011-1585-X. Révélations Gastronomiques. VonH. This. Les secrets de la casserole (French Edition) Les secrets de la casserole (French Edition). USD\$26.57. Price when purchased online. Image 1 of Les secrets de la casserole (French Edition). Les secrets de la casserole Nouvelle édition - broché Les secrets de la casserole ont été traduits en allemand, en espagnol, en italien, en japonais, en polonais et en portugais (Brésil) et ont reçu le Prix de l' ... 7.9K+ Free Templates for 'Pastor's anniversary' Create free pastor's anniversary flyers, posters, social media graphics and videos in minutes. Choose from 7990+ eye-catching templates to wow your ... Pastor Anniversary Program Template Word ... Pastor Anniversary Program Template, a Word Template and Publisher Template set - 8 pages, Print Size: 11x8.5 inches, bifold to 5.5x8.5 inches, is for church ... Copy of Pastor Anniversary - Pinterest Jun 23, 2019 — Create the perfect design by customizing easy to use templates in MINUTES! Easily convert your image designs into videos or vice versa! Pastoral Anniversary Program Church Program Template, DIY Church

Anniversary Program Template, Sunday Service Program template for pastor preacher. (161). \$9.99. Pastor Anniversary Service Program Template Jan 2, 2014 — 16 Pastor Anniversary Service Program Template is for church pastor appreciation or anniversary events. Can also be used for funeral program, ... Pastor Anniversary Flyer Graphics, Designs & Templates Get 423 pastor anniversary flyer graphics, designs & templates on GraphicRiver such as Starlight Pastor Anniversary Flyer Template, Pastor Anniversary Flyer ... Pastor Anniversary Templates Download pastor anniversary program cover digital assets Pastor anniversary-program-cover. Explore 642,674 pastor anniversary program cover ... Church Anniversary Flyer Template. by XtremeFlyers in Templates ... Pastor Anniversary Program Word Publisher ... Pastor Anniversary Program Word Publisher Large Template - 4 pages, bi-fold to 8.5"x11", is for church pastor appreciation or anniversary events.