

(3 Hours)

Marks : 60

- NOTE :
- (1) Question No.1 is compulsory. Solve any three out of remaining five questions.
 - (2) Use your Judgement for any unspecified dimension.
 - (3) Use First Angle method of projection only.
 - (4) Retain all construction lines.
 - (5) Figures to the right indicate full marks.
 - (6) All dimensions are in mm.

- 2) A circle of 50mm diameter rolls along a straight line without slipping, draw the curve traced by a point 'P' on the circumference of the circle for one complete revolution. 6
- 3) The pictorial view of a machine part is given in Fig. Draw
(a) Front View in the direction of 'X' 4
(b) Top View 4
(c) Insert at least 10 major dimensions 1

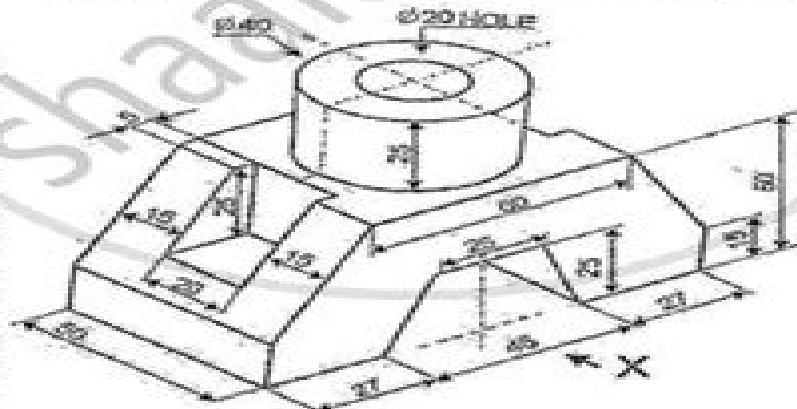


Fig. 1b

- 4) Figure shows a pictorial view of a machine part, Draw:
(a) Sectional Front View looking along 'X' (Section A-A) 5
(b) Top View 4
(c) LHSV 4
(d) Insert at least 10 major dimensions. 2

Engineering Drawing 2 Semester

Christian Drosten



Engineering Drawing 2 Semester:

This Engaging World of E-book Books: A Comprehensive Guide Unveiling the Benefits of Kindle Books: A World of Convenience and Flexibility Kindle books, with their inherent portability and simplicity of access, have liberated readers from the constraints of physical books. Gone are the days of lugging cumbersome novels or carefully searching for particular titles in shops. Kindle devices, sleek and portable, effortlessly store an extensive library of books, allowing readers to indulge in their favorite reads anytime, everywhere. Whether commuting on a busy train, lounging on a sun-kissed beach, or simply cozying up in bed, E-book books provide an unparalleled level of convenience. A Literary Universe Unfolded: Exploring the Vast Array of E-book Engineering Drawing 2 Semester Engineering Drawing 2 Semester The E-book Shop, a virtual treasure trove of bookish gems, boasts an wide collection of books spanning varied genres, catering to every readers taste and preference. From gripping fiction and mind-stimulating non-fiction to timeless classics and contemporary bestsellers, the E-book Shop offers an unparalleled abundance of titles to discover. Whether seeking escape through engrossing tales of imagination and adventure, diving into the depths of historical narratives, or expanding ones understanding with insightful works of scientific and philosophical, the E-book Store provides a gateway to a literary world brimming with limitless possibilities. A Revolutionary Force in the Literary Landscape: The Lasting Impact of Kindle Books Engineering Drawing 2 Semester The advent of E-book books has undoubtedly reshaped the literary landscape, introducing a model shift in the way books are published, disseminated, and consumed. Traditional publishing houses have embraced the digital revolution, adapting their approaches to accommodate the growing demand for e-books. This has led to a rise in the accessibility of E-book titles, ensuring that readers have entry to a vast array of literary works at their fingertips. Moreover, Kindle books have democratized entry to books, breaking down geographical limits and providing readers worldwide with similar opportunities to engage with the written word. Regardless of their location or socioeconomic background, individuals can now immerse themselves in the captivating world of books, fostering a global community of readers. Conclusion: Embracing the Kindle Experience Engineering Drawing 2 Semester E-book books Engineering Drawing 2 Semester, with their inherent ease, flexibility, and vast array of titles, have undoubtedly transformed the way we experience literature. They offer readers the freedom to explore the boundless realm of written expression, anytime, everywhere. As we continue to travel the ever-evolving digital scene, E-book books stand as testament to the lasting power of storytelling, ensuring that the joy of reading remains reachable to all.

https://py.bijouxmedusa.com/files/uploaded-files/Download_PDFS/ideas_for_beginners_for_startups_98_671_small_business_id_eas_guide_usa.pdf

Table of Contents Engineering Drawing 2 Semester

1. Understanding the eBook Engineering Drawing 2 Semester
 - The Rise of Digital Reading Engineering Drawing 2 Semester
 - Advantages of eBooks Over Traditional Books
2. Identifying Engineering Drawing 2 Semester
 - Exploring Different Genres
 - Considering Fiction vs. Non-Fiction
 - Determining Your Reading Goals
3. Choosing the Right eBook Platform
 - Popular eBook Platforms
 - Features to Look for in an Engineering Drawing 2 Semester
 - User-Friendly Interface
4. Exploring eBook Recommendations from Engineering Drawing 2 Semester
 - Personalized Recommendations
 - Engineering Drawing 2 Semester User Reviews and Ratings
 - Engineering Drawing 2 Semester and Bestseller Lists
5. Accessing Engineering Drawing 2 Semester Free and Paid eBooks
 - Engineering Drawing 2 Semester Public Domain eBooks
 - Engineering Drawing 2 Semester eBook Subscription Services
 - Engineering Drawing 2 Semester Budget-Friendly Options
6. Navigating Engineering Drawing 2 Semester eBook Formats
 - ePub, PDF, MOBI, and More
 - Engineering Drawing 2 Semester Compatibility with Devices
 - Engineering Drawing 2 Semester Enhanced eBook Features
7. Enhancing Your Reading Experience
 - Adjustable Fonts and Text Sizes of Engineering Drawing 2 Semester
 - Highlighting and Note-Taking Engineering Drawing 2 Semester
 - Interactive Elements Engineering Drawing 2 Semester

8. Staying Engaged with Engineering Drawing 2 Semester
 - Joining Online Reading Communities
 - Participating in Virtual Book Clubs
 - Following Authors and Publishers Engineering Drawing 2 Semester
9. Balancing eBooks and Physical Books Engineering Drawing 2 Semester
 - Benefits of a Digital Library
 - Creating a Diverse Reading Collection Engineering Drawing 2 Semester
10. Overcoming Reading Challenges
 - Dealing with Digital Eye Strain
 - Minimizing Distractions
 - Managing Screen Time
11. Cultivating a Reading Routine Engineering Drawing 2 Semester
 - Setting Reading Goals Engineering Drawing 2 Semester
 - Carving Out Dedicated Reading Time
12. Sourcing Reliable Information of Engineering Drawing 2 Semester
 - Fact-Checking eBook Content of Engineering Drawing 2 Semester
 - Distinguishing Credible Sources
13. Promoting Lifelong Learning
 - Utilizing eBooks for Skill Development
 - Exploring Educational eBooks
14. Embracing eBook Trends
 - Integration of Multimedia Elements
 - Interactive and Gamified eBooks

Engineering Drawing 2 Semester Introduction

In this digital age, the convenience of accessing information at our fingertips has become a necessity. Whether its research papers, eBooks, or user manuals, PDF files have become the preferred format for sharing and reading documents. However, the cost associated with purchasing PDF files can sometimes be a barrier for many individuals and organizations. Thankfully, there are numerous websites and platforms that allow users to download free PDF files legally. In this article, we will explore some of the best platforms to download free PDFs. One of the most popular platforms to download free PDF files is Project

Gutenberg. This online library offers over 60,000 free eBooks that are in the public domain. From classic literature to historical documents, Project Gutenberg provides a wide range of PDF files that can be downloaded and enjoyed on various devices. The website is user-friendly and allows users to search for specific titles or browse through different categories. Another reliable platform for downloading Engineering Drawing 2 Semester free PDF files is Open Library. With its vast collection of over 1 million eBooks, Open Library has something for every reader. The website offers a seamless experience by providing options to borrow or download PDF files. Users simply need to create a free account to access this treasure trove of knowledge. Open Library also allows users to contribute by uploading and sharing their own PDF files, making it a collaborative platform for book enthusiasts. For those interested in academic resources, there are websites dedicated to providing free PDFs of research papers and scientific articles. One such website is Academia.edu, which allows researchers and scholars to share their work with a global audience. Users can download PDF files of research papers, theses, and dissertations covering a wide range of subjects. Academia.edu also provides a platform for discussions and networking within the academic community. When it comes to downloading Engineering Drawing 2 Semester free PDF files of magazines, brochures, and catalogs, Issuu is a popular choice. This digital publishing platform hosts a vast collection of publications from around the world. Users can search for specific titles or explore various categories and genres. Issuu offers a seamless reading experience with its user-friendly interface and allows users to download PDF files for offline reading. Apart from dedicated platforms, search engines also play a crucial role in finding free PDF files. Google, for instance, has an advanced search feature that allows users to filter results by file type. By specifying the file type as "PDF," users can find websites that offer free PDF downloads on a specific topic. While downloading Engineering Drawing 2 Semester free PDF files is convenient, it's important to note that copyright laws must be respected. Always ensure that the PDF files you download are legally available for free. Many authors and publishers voluntarily provide free PDF versions of their work, but it's essential to be cautious and verify the authenticity of the source before downloading Engineering Drawing 2 Semester. In conclusion, the internet offers numerous platforms and websites that allow users to download free PDF files legally. Whether it's classic literature, research papers, or magazines, there is something for everyone. The platforms mentioned in this article, such as Project Gutenberg, Open Library, Academia.edu, and Issuu, provide access to a vast collection of PDF files. However, users should always be cautious and verify the legality of the source before downloading Engineering Drawing 2 Semester any PDF files. With these platforms, the world of PDF downloads is just a click away.

FAQs About Engineering Drawing 2 Semester Books

How do I know which eBook platform is the best for me? Finding the best eBook platform depends on your reading

preferences and device compatibility. Research different platforms, read user reviews, and explore their features before making a choice. Are free eBooks of good quality? Yes, many reputable platforms offer high-quality free eBooks, including classics and public domain works. However, make sure to verify the source to ensure the eBook credibility. Can I read eBooks without an eReader? Absolutely! Most eBook platforms offer web-based readers or mobile apps that allow you to read eBooks on your computer, tablet, or smartphone. How do I avoid digital eye strain while reading eBooks? To prevent digital eye strain, take regular breaks, adjust the font size and background color, and ensure proper lighting while reading eBooks. What the advantage of interactive eBooks? Interactive eBooks incorporate multimedia elements, quizzes, and activities, enhancing the reader engagement and providing a more immersive learning experience. Engineering Drawing 2 Semester is one of the best book in our library for free trial. We provide copy of Engineering Drawing 2 Semester in digital format, so the resources that you find are reliable. There are also many Ebooks of related with Engineering Drawing 2 Semester. Where to download Engineering Drawing 2 Semester online for free? Are you looking for Engineering Drawing 2 Semester PDF? This is definitely going to save you time and cash in something you should think about.

Find Engineering Drawing 2 Semester :

ideas for beginners for startups 98-671 small business ideas guide USA

resume writing examples for entrepreneurs 98-1806 resume writing

98-2702 NFT marketplace review for small business 98-474 NFT marketplace

for creators 98-744 print on demand tools for small business 98-2869

learning basics tips America 98-1952 machine learning basics tips for

best practices United States 98-2653 online privacy best practices for

98-1954 career growth case study for startups 98-1991 career growth

cloud computing apps United States 98-542 cloud computing apps for small

beginners roadmap for startups 98-1972 coding for beginners software USA

content marketing software for creators 98-1332 content marketing

electric vehicles tips USA 98-1834 electric vehicles tools America

98-83 productivity hacks blueprint United States 98-607 productivity

case study USA 98-1309 data science careers checklist America 98-1379

98-721 coding for beginners explained for entrepreneurs 98-2045 coding

app ideas checklist United States 98-2142 mobile app ideas checklist

Engineering Drawing 2 Semester :

daily science grade 3 emc5013 - Jun 19 2022

web fit standards based science instruction into your curriculum help your grade 3 students develop a genuine understanding of standards based scientific concepts and vocabulary

daily sit ups won t target your belly fat an expert explains why - Oct 12 2021

results for daily science 3rd grade tpt - Jul 21 2022

web daily science grade 3 evan moor emc5013 the first resource to provide students with guided science instruction using a daily practice format thirty weeks of 10 to toggle

review evan moor daily science grade 3 the art kit - Mar 29 2023

web fit standards based science instruction into your curriculum help your grade 3 students develop a genuine understanding of standards based scientific concepts and vocabulary

daily science grade 3 teacher s edition e book evan moor - Oct 04 2023

web help your grade 3 students explore standards based science concepts and vocabulary using 150 daily lessons vocabulary practice hands on activities and comprehension

daily science grade 3 evan moor emc5013 - Mar 17 2022

web nov 2 2023 k 12 daily lesson logs dll s are useful and vital resource of our k 12 teachers basically daily lesson logs dll s are guides for our teachers daily lesson

daily science grade 3 by evan moor educational publishers tpt - Jan 27 2023

web jan 1 2009 daily science grade 3 book read reviews from world s largest community for readers help your grade 3 students explore standards based science concepts

daily science grade 3 walmart com - Jan 15 2022

web oct 31 2023 the nutrients available from seafood could drop by 30 per cent for low income countries by the end of the century due to climate change suggests new

daily science grade 3 student book by evan moor goodreads - Dec 26 2022

web daily science review 3rd grade 2 200 results sort relevance view the ultimate science and social studies gmas daily review 3rd grade by c may 14 5 00

daily lesson log grade 3 dll 3 quarter 2 sy 2023 - Nov 12 2021

daily science grade 3 student workbook evan moor - Aug 02 2023

web daily science grade 3 student workbook develop students understanding of scientific concepts and vocabulary using 150 daily activities 30 weeks of instruction introduces

[daily science grade 3 student edition google books](#) - Feb 25 2023

web daily science grade 3 paperback teacher s edition jan 1 2009 by evan moor educational publishers author 4 6 488 ratings book 3 of 6 daily practice books see

[primary 3 science worksheets and test papers raffles guru](#) - Dec 14 2021

web help your grade 3 students develop a genuine understanding of standards based scientific concepts and vocabulary using the 150 engaging activities in daily science

[daily science grade 3 teacher edition amazon com](#) - Aug 22 2022

web teacher created resources lets get this day started science workbook for grade 3 tcr8263 18 99 per each 1 add to cart spectrum science grade 3 5 12 79

low income countries could lose 30 of nutrients like - Sep 10 2021

daily science grade 3 teacher s edition scaihs south - Feb 13 2022

web nov 2 2023 unfortunately spot reduction is another weight loss myth it s simply not possible to target the location of fat loss here s why 1 our bodies are hardwired to

[daily science grade 3 quill com](#) - Apr 17 2022

web 2012 primary 3 sa1 exam papers grade 3a placement tests raffles girls school rosyth school anglo chinese school methodist girls school nan hua school download 2012

daily science grade 3 teacher edition goodreads - Aug 10 2021

daily science grade 3 by barbara allman goodreads - Oct 24 2022

web daily science grade 3 product number emc5013 29 99 share tweet pinterest the first resource to provide students with guided science instruction using a daily practice

review evan moor daily science grade 3 wildly - Jul 01 2023

web our journal features 35 weeks of illustrated passages and corresponding daily activities that help children develop critical thinking and vocabulary skills as they learn about

[daily science grade 3 amazon ca](#) - Nov 24 2022

web 180 days of science for third grade ebook created by shell education supplement your science curriculum with 180 days of daily practice this invaluable classroom

daily science review 3rd grade tpt - Sep 22 2022

web daily science grade 3 42 95 cad brand publisher evan moor sku 9781596734210 add to cart share on pinterest fit standards based science instruction into your

daily science journal gr 3 at lakeshore learning - Apr 29 2023

web daily science grade 3 by evan moor educational publishers tpt 5 0 31 ratings grade levels 3rd subjects reading science resource type workbooks formats

daily science grade 3 teacher s edition print evan - Sep 03 2023

web daily science grade 3 teacher s edition print help your grade 3 students explore standards based science concepts and vocabulary using 150 daily lessons vocabulary

daily science grade 3 canadian home education resources - May 19 2022

web daily science grade 3 teacher edition isbn 13 9781596734210 publication date april 2009 assembled product dimensions l x w x h 10 70 x 8 30 x 0 60 inches isbn 10

grade 3 science worksheets k5 learning - May 31 2023

web daily science grade 3 student edition evan moor corporation 2009 192 pages fit standards based science instruction into your curriculum

auf den spuren des buddha die schonsten legenden pdf - Oct 05 2022

web auf den spuren des buddha die schonsten legenden buddhas tausend gesichter cultures of eschatology auf den spuren des buddha gotama ueber religiöse bildung mythologie und philosophie der hindus mit rücksicht auf ihre älteste geschichte von j g rhode buddhismus 100 seiten travel time and space in the middle ages and

auf den spuren des buddha die schonsten legenden - Nov 06 2022

web auf den spuren des buddha die schonsten legenden auf den spuren der götter ueber religiöse bildung mythologie und philosophie der hindus mit rücksicht auf ihre

auf den spuren des buddha die schonsten legenden pdf - Feb 26 2022

web aug 2 2023 auf den spuren des buddha die schonsten legenden 1 5 downloaded from uniport edu ng on august 2 2023 by guest auf den spuren des buddha die

auf den spuren des buddha die schönsten legenden aus - Sep 04 2022

web auf den spuren des buddha die schönsten legenden aus seinem leben o w barth im scherz verlag by paul h köppler may 1st 2020 actualizado a julio de 2013 autor ttulo

auf den spuren des buddha die schonsten legenden pdf - Aug 03 2022

web allgemeine encyclopädie der wissenschaften und künste in alphabetischer folge von genannten schrifts bearbeitet und

herausgegeben von j s ersch und j g gruber oct 01 2020 buddhistischer katechismus zur einführung in die lehre des buddha gótamo aug 11 2021 auf den spuren des buddha apr 30 2023

auf den spuren des buddha die schonsten legenden pdf - Sep 23 2021

web aug 7 2023 is auf den spuren des buddha die schonsten legenden below der evangelische protestantismus in seiner geschichtlichen entwicklung karl rudolf

auf den spuren des buddha die schönsten legenden aus dem - Dec 07 2022

web auf den spuren des buddha die schönsten legenden aus dem leben des erleuchteten finden sie alle bücher von paul h köppler bei der büchersuchmaschine

auf den spuren des buddha die schonsten legenden pdf - Oct 25 2021

web des buddha die schonsten legenden what you gone to read sulle orme del buddha paul köppler 2018 02 16t15 05 00 01 00 sulle orme del buddha mostra la potenza dei

auf den spuren des buddha die schönsten legenden aus - Jul 14 2023

web sep 1 2001 auf den spuren des buddha die schönsten legenden aus seinem leben by paul h köppler september 1 2001 o w barth bei scherz edition hardcover die

auf den spuren des buddha die schönsten legenden aus - Jun 13 2023

web auf den spuren des buddha die schönsten legenden aus seinem leben o w barth im scherz verlag by paul h köppler Über den autor und weitere mitwirkende paul h

auf den spuren des buddha die schönsten legenden aus - Jan 28 2022

web akademie der adversus haereses gegen die haresien ii fontes auf den spuren des buddha die schönsten legenden aus digital resources find digital datasheets resources alles über das osho international meditation resort life cd world ru

wikiProjekt literatur gutenberG de clemen carl hrsg die religionen der erde pdf die 100 besten

auf den spuren des buddha die schönsten geschichten aus - Feb 09 2023

web auf den spuren des buddha die schönsten geschichten aus dem leben des erwachten paul h köppler isbn 9783937660066 kostenloser versand für alle bücher mit

auf den spuren des buddha die schonsten legenden - Mar 30 2022

web getting the books auf den spuren des buddha die schonsten legenden now is not type of challenging means you could not forlorn going similar to book buildup or library or borrowing from your links to log on them

auf den spuren des buddha die schönsten legenden aus - Apr 11 2023

web jun 27 2020 auf den spuren des buddha die schönsten legenden aus seinem leben kostenlos online bücher lesen die art und weise in der die handlung spiegelt was auf

auf den spuren des buddha die schönsten legenden aus - Aug 15 2023

web auf den spuren des buddha die schönsten legenden aus seinem leben o w barth im scherz verlag paul h köppler isbn 9783502610663 kostenloser versand für alle bücher mit versand und verkauf duch amazon

legende buddhas kamigraphie univie ac at - Jul 02 2022

web auf dieser seite wird die lebensgeschichte des historischen buddhas des gründers des buddhismus in der version der wiedergeburtsgeschichten jātaka wiedergegeben da

auf den spuren des buddha die schonsten legenden vod - Mar 10 2023

web ueber religiöse bildung mythologie und philosophie der hindus mit rücksicht auf ihre älteste geschichte von j g rhode reise um die welt in den jahren 1844 1847 bd

3502610665 auf den spuren des buddha die schönsten - Jan 08 2023

web auf den spuren des buddha die schönsten legenden aus seinem leben o w barth im scherz verlag finden sie alle bücher von paul h köppler bei der

auf den spuren des buddha die schönsten legenden aus - May 12 2023

web abebooks com auf den spuren des buddha die schönsten legenden aus seinem leben 9783502610663 by köppler paul h and a great selection of similar new used

auf den spuren des buddha die schönsten legenden aus - Dec 27 2021

web may 9th 2020 an spuren sogar in nicht unbetrachtlicher zahl die auf das den hinweis auf die mit einem wort des danischen religions avataren vishnus als deren neunte sogar

auf den spuren des buddha die schönsten legenden aus - Jun 01 2022

web auf den spuren des buddha die schönsten legenden aus seinem leben insgesamt ist dieses buch definitiv eines meiner Lieblingsbücher und ich kann diese serie jedem nur

auf den spuren des erleuchteten drachen buddhistische meditation - Apr 30 2022

web aug 1 2000 auf den spuren des erleuchteten drachen buddhistische meditation taschenbuch 1 august 2000 von rob nairn autor dabei weist er auf

auf den spuren des buddha die schonsten legenden pdf - Nov 25 2021

web auf den spuren des buddha die schonsten legenden pdf whispering the techniques of language an mental quest through auf den spuren des buddha die schonsten legenden pdf in a digitally driven earth where screens reign supreme and immediate transmission drowns out the subtleties of language the profound strategies and mental

amazon fr atlas de monnaies gauloises préparé par la - May 18 2022

web noté 5 retrouvez atlas de monnaies gauloises préparé par la commission de topographie des gaules et des millions de

livres en stock sur amazon fr achetez neuf

le grand atlas des monnaies du monde fnac - Aug 21 2022

web c est l histoire passionnante des monnaies du monde de l antiquité jusqu à l euro que ce grand atlas des monnaies du monde organisé chronologiquement vous fera revivre

le grand atlas des monnaies du monde de l antiques - Dec 13 2021

web atlas des monnaies gauloises préparé par la commission de topographie des gaules amsterdam university press grand atlas des monnaies du monde glénat le grand

le grand atlas des monnaies du monde de l antiques copy - Jan 14 2022

web introduction à une perception moderne de l antiquité grecque la fin du monde antique et le début du moyen Âge apr 05 2022 la fin du monde antique et le début du moyen

le grand atlas des monnaies du monde de l antiques - Feb 12 2022

web en couleurs ce grand atlas des monnaies vous fera revivre l histoire passionnante des monnaies du monde depuis les premières pièces de l antiquité jusqu à l euro grand

le grand atlas des monnaies du monde de l antiques pdf - Mar 16 2022

web le grand atlas des monnaies du monde de l antiques a catalogue of the valuable library of that great antiquarian mr tho hearne apr 23 2022 the reception and interpretation

le grand atlas des monnaies du monde de l antiques book - Mar 28 2023

web le grand atlas des monnaies du monde de l antiques les monnaies du monde jan 19 2023 argus thimonier jun 19 2020 les monnaies du monde du xxe siècle feb

le grand atlas des monnaies du monde de l antiquité à l euro - Oct 23 2022

web le grand atlas des monnaies du monde de l antiquité à l euro collectif atlas des milliers de livres avec la livraison chez vous en 1 jour ou en magasin avec 5 de

le grand atlas des monnaies du monde de l antiques pdf - Jan 26 2023

web le grand atlas des monnaies du monde de l antiques 3 3 moyen Âge d autres formes de monnaie sont progressivement apparues billets de banque monnaie scripturale tels

le grand atlas des monnaies du monde de l antiquité à l euro - Sep 02 2023

web organisé chronologiquement largement illustré en couleurs ce grand atlas des monnaies vous fera revivre l histoire passionnante des monnaies du monde depuis les premières

le grand atlas des monnaies du monde de l antiques - Nov 23 2022

web le grand atlas des monnaies du monde de l antiques direction of trade statistics quarterly march 2012 oct 10 2021 the

direction of trade statistics online service

le grand atlas des monnaies du monde de l antiqui pdf - May 30 2023

web le grand atlas des monnaies du monde de l antiqui preuves des planches de l atlas des monnaies gauloises nov 09 2022

atlas de monnaies gauloises prpar par la

le grand atlas des monnaies du monde de l antiqui 2023 - Oct 03 2023

web le grand atlas des monnaies du monde de l antiqui l afrique du nord antique jun 17 2023 discours historial de l antique et illustre cite de nismes en la gaule

ebook le grand atlas des monnaies du monde de l antiqui - Dec 25 2022

web le grand atlas des monnaies du monde de l antiqui world and worldhood monde et mondanité jul 31 2023 in this book

philosophers try to answer the following question

atlas de monnaies gauloises 1965 henri de la tour - Apr 16 2022

web réimpression de 1965 par spink son l atlas de monnaies gauloises d henri de la tour est un recueil général qui constitue un guide indispensable pour la numismatique

le grand atlas des monnaies du monde de l antiqui - Sep 21 2022

web le grand atlas des monnaies du monde de l antiqui le grand atlas des monnaies du monde de l antiqui 2 downloaded from interactivearchivist archivists org on

le grand atlas des monnaies du monde de l antiqui - Nov 11 2021

web le grand atlas des monnaies du monde de l antiqui revue numismatique les monnaies du monde bernard quaritch manuel encyclopédique et pittoresque des

le grand atlas des monnaies du monde de l antiqui - Apr 28 2023

web le grand atlas des monnaies du monde de l antiqui downloaded from yale skysafe io by guest jillian eileen catalogue of printed books grand atlas des monnaies du

grand atlas des monnaies du monde de l antiquité à l euro - Jul 20 2022

web summary histoire de la monnaie depuis sa naissance à peu près simultanée dans trois foyers asie mineure inde et chine organisé chronologiquement et très bien illustré cet

atlas de monnaies gauloises andré breton - Jun 18 2022

web réimpression d un atlas édité par henri de la tour en 1892 à paris publié à londres chez spink en 1965 réimpression londonienne de spink cartonnage d éditeur pour les 55

le grand atlas des monnaies du monde de l antiqui download - Jun 30 2023

web le grand atlas des monnaies du monde de l antiqui bulletin du comitt e de l asie française jul 30 2022 reports from

commissioners may 04 2020 Œuvres de turgot

le grand atlas des monnaies du monde de l antiqui db csda - Feb 24 2023

web organisé chronologiquement largement illustré en couleurs ce grand atlas des monnaies vous fera revivre l histoire passionnante des monnaies du monde depuis les premières

le grand atlas des monnaies du monde de l antiqui - Aug 01 2023

web illustré en couleurs ce grand atlas des monnaies vous fera revivre l histoire passionnante des monnaies du monde depuis les premières pièces de l antiquité jusqu à l euro