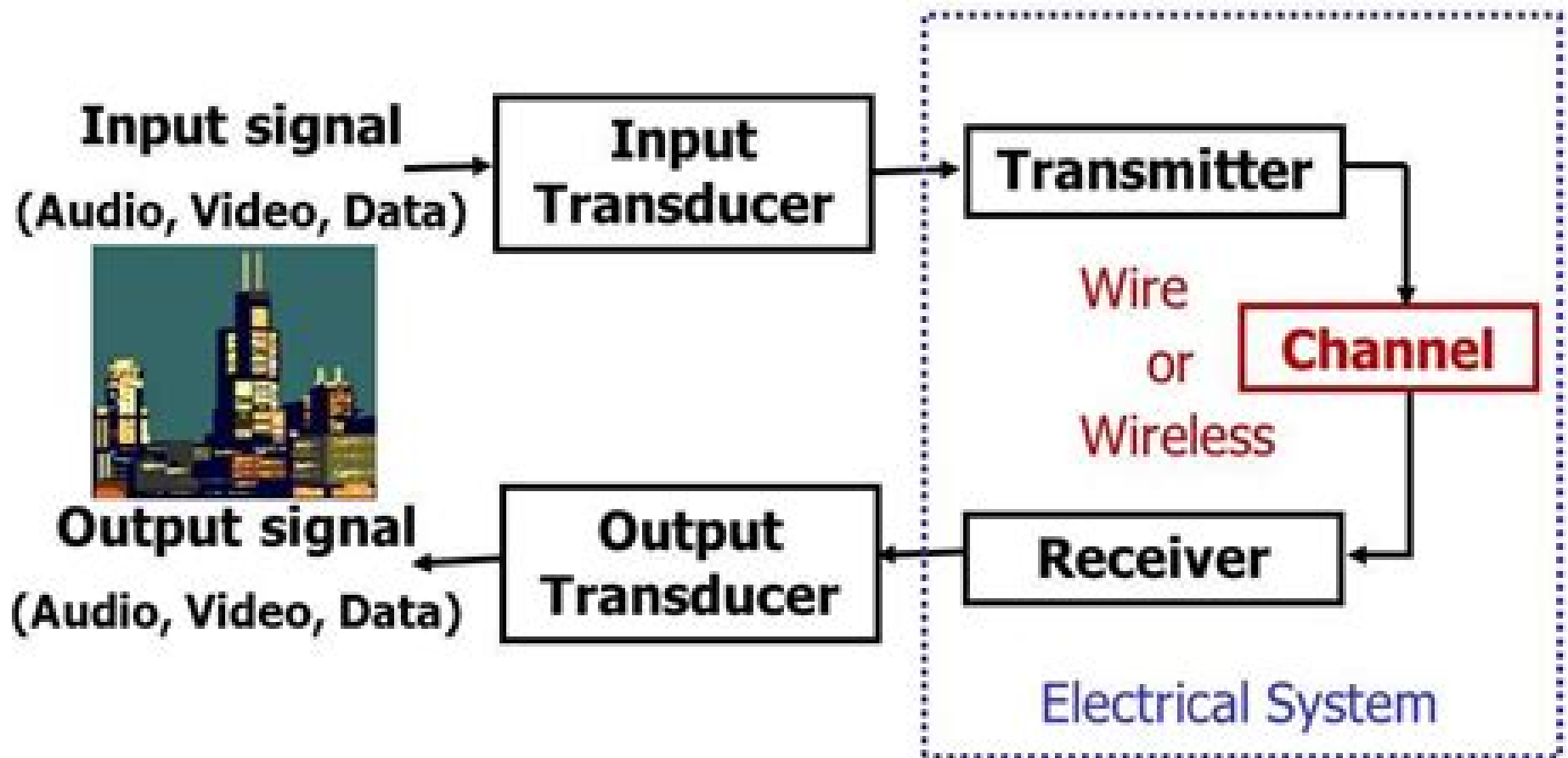


Functional Block Diagram of a Communication System



Functional Block Diagram Engineering

J Ma



Functional Block Diagram Engineering:

This book delves into Functional Block Diagram Engineering. Functional Block Diagram Engineering is an essential topic that needs to be grasped by everyone, from students and scholars to the general public. This book will furnish comprehensive and in-depth insights into Functional Block Diagram Engineering, encompassing both the fundamentals and more intricate discussions.

1. The book is structured into several chapters, namely:
 - Chapter 1: Introduction to Functional Block Diagram Engineering
 - Chapter 2: Essential Elements of Functional Block Diagram Engineering
 - Chapter 3: Functional Block Diagram Engineering in Everyday Life
 - Chapter 4: Functional Block Diagram Engineering in Specific Contexts
 - Chapter 5: Conclusion
 2. In chapter 1, this book will provide an overview of Functional Block Diagram Engineering. The first chapter will explore what Functional Block Diagram Engineering is, why Functional Block Diagram Engineering is vital, and how to effectively learn about Functional Block Diagram Engineering.
 3. In chapter 2, the author will delve into the foundational concepts of Functional Block Diagram Engineering. The second chapter will elucidate the essential principles that must be understood to grasp Functional Block Diagram Engineering in its entirety.
 4. In chapter 3, this book will examine the practical applications of Functional Block Diagram Engineering in daily life. This chapter will showcase real-world examples of how Functional Block Diagram Engineering can be effectively utilized in everyday scenarios.
 5. In chapter 4, this book will scrutinize the relevance of Functional Block Diagram Engineering in specific contexts. This chapter will explore how Functional Block Diagram Engineering is applied in specialized fields, such as education, business, and technology.
 6. In chapter 5, this book will draw a conclusion about Functional Block Diagram Engineering. The final chapter will summarize the key points that have been discussed throughout the book.
- This book is crafted in an easy-to-understand language and is complemented by engaging illustrations. This book is highly recommended for anyone seeking to gain a comprehensive understanding of Functional Block Diagram Engineering.

https://py.bijouxmedusa.com/results/book-search/HomePages/Chapter_6_Section_1_The_Early_Years_Moore_Public_Schools.pdf

Table of Contents Functional Block Diagram Engineering

1. Understanding the eBook Functional Block Diagram Engineering
 - The Rise of Digital Reading Functional Block Diagram Engineering
 - Advantages of eBooks Over Traditional Books
2. Identifying Functional Block Diagram Engineering
 - Exploring Different Genres
 - Considering Fiction vs. Non-Fiction
 - Determining Your Reading Goals
3. Choosing the Right eBook Platform
 - Popular eBook Platforms
 - Features to Look for in an Functional Block Diagram Engineering
 - User-Friendly Interface
4. Exploring eBook Recommendations from Functional Block Diagram Engineering
 - Personalized Recommendations
 - Functional Block Diagram Engineering User Reviews and Ratings
 - Functional Block Diagram Engineering and Bestseller Lists
5. Accessing Functional Block Diagram Engineering Free and Paid eBooks
 - Functional Block Diagram Engineering Public Domain eBooks
 - Functional Block Diagram Engineering eBook Subscription Services
 - Functional Block Diagram Engineering Budget-Friendly Options
6. Navigating Functional Block Diagram Engineering eBook Formats
 - ePub, PDF, MOBI, and More
 - Functional Block Diagram Engineering Compatibility with Devices
 - Functional Block Diagram Engineering Enhanced eBook Features
7. Enhancing Your Reading Experience
 - Adjustable Fonts and Text Sizes of Functional Block Diagram Engineering
 - Highlighting and Note-Taking Functional Block Diagram Engineering
 - Interactive Elements Functional Block Diagram Engineering

-
8. Staying Engaged with Functional Block Diagram Engineering
 - Joining Online Reading Communities
 - Participating in Virtual Book Clubs
 - Following Authors and Publishers Functional Block Diagram Engineering
 9. Balancing eBooks and Physical Books Functional Block Diagram Engineering
 - Benefits of a Digital Library
 - Creating a Diverse Reading Collection Functional Block Diagram Engineering
 10. Overcoming Reading Challenges
 - Dealing with Digital Eye Strain
 - Minimizing Distractions
 - Managing Screen Time
 11. Cultivating a Reading Routine Functional Block Diagram Engineering
 - Setting Reading Goals Functional Block Diagram Engineering
 - Carving Out Dedicated Reading Time
 12. Sourcing Reliable Information of Functional Block Diagram Engineering
 - Fact-Checking eBook Content of Functional Block Diagram Engineering
 - Distinguishing Credible Sources
 13. Promoting Lifelong Learning
 - Utilizing eBooks for Skill Development
 - Exploring Educational eBooks
 14. Embracing eBook Trends
 - Integration of Multimedia Elements
 - Interactive and Gamified eBooks

Functional Block Diagram Engineering Introduction

In the digital age, access to information has become easier than ever before. The ability to download Functional Block Diagram Engineering has revolutionized the way we consume written content. Whether you are a student looking for course material, an avid reader searching for your next favorite book, or a professional seeking research papers, the option to download Functional Block Diagram Engineering has opened up a world of possibilities. Downloading Functional Block Diagram Engineering provides numerous advantages over physical copies of books and documents. Firstly, it is incredibly

convenient. Gone are the days of carrying around heavy textbooks or bulky folders filled with papers. With the click of a button, you can gain immediate access to valuable resources on any device. This convenience allows for efficient studying, researching, and reading on the go. Moreover, the cost-effective nature of downloading Functional Block Diagram Engineering has democratized knowledge. Traditional books and academic journals can be expensive, making it difficult for individuals with limited financial resources to access information. By offering free PDF downloads, publishers and authors are enabling a wider audience to benefit from their work. This inclusivity promotes equal opportunities for learning and personal growth. There are numerous websites and platforms where individuals can download Functional Block Diagram Engineering. These websites range from academic databases offering research papers and journals to online libraries with an expansive collection of books from various genres. Many authors and publishers also upload their work to specific websites, granting readers access to their content without any charge. These platforms not only provide access to existing literature but also serve as an excellent platform for undiscovered authors to share their work with the world. However, it is essential to be cautious while downloading Functional Block Diagram Engineering. Some websites may offer pirated or illegally obtained copies of copyrighted material. Engaging in such activities not only violates copyright laws but also undermines the efforts of authors, publishers, and researchers. To ensure ethical downloading, it is advisable to utilize reputable websites that prioritize the legal distribution of content. When downloading Functional Block Diagram Engineering, users should also consider the potential security risks associated with online platforms. Malicious actors may exploit vulnerabilities in unprotected websites to distribute malware or steal personal information. To protect themselves, individuals should ensure their devices have reliable antivirus software installed and validate the legitimacy of the websites they are downloading from. In conclusion, the ability to download Functional Block Diagram Engineering has transformed the way we access information. With the convenience, cost-effectiveness, and accessibility it offers, free PDF downloads have become a popular choice for students, researchers, and book lovers worldwide. However, it is crucial to engage in ethical downloading practices and prioritize personal security when utilizing online platforms. By doing so, individuals can make the most of the vast array of free PDF resources available and embark on a journey of continuous learning and intellectual growth.

FAQs About Functional Block Diagram Engineering Books

What is a Functional Block Diagram Engineering PDF? A PDF (Portable Document Format) is a file format developed by Adobe that preserves the layout and formatting of a document, regardless of the software, hardware, or operating system used to view or print it. **How do I create a Functional Block Diagram Engineering PDF?** There are several ways to create a PDF: Use software like Adobe Acrobat, Microsoft Word, or Google Docs, which often have built-in PDF creation

tools. Print to PDF: Many applications and operating systems have a "Print to PDF" option that allows you to save a document as a PDF file instead of printing it on paper. Online converters: There are various online tools that can convert different file types to PDF. **How do I edit a Functional Block Diagram Engineering PDF?** Editing a PDF can be done with software like Adobe Acrobat, which allows direct editing of text, images, and other elements within the PDF. Some free tools, like PDFescape or Smallpdf, also offer basic editing capabilities. **How do I convert a Functional Block Diagram Engineering PDF to another file format?** There are multiple ways to convert a PDF to another format: Use online converters like Smallpdf, Zamzar, or Adobe Acrobats export feature to convert PDFs to formats like Word, Excel, JPEG, etc. Software like Adobe Acrobat, Microsoft Word, or other PDF editors may have options to export or save PDFs in different formats. **How do I password-protect a Functional Block Diagram Engineering PDF?** Most PDF editing software allows you to add password protection. In Adobe Acrobat, for instance, you can go to "File" -> "Properties" -> "Security" to set a password to restrict access or editing capabilities. Are there any free alternatives to Adobe Acrobat for working with PDFs? Yes, there are many free alternatives for working with PDFs, such as: LibreOffice: Offers PDF editing features. PDFsam: Allows splitting, merging, and editing PDFs. Foxit Reader: Provides basic PDF viewing and editing capabilities. How do I compress a PDF file? You can use online tools like Smallpdf, ILovePDF, or desktop software like Adobe Acrobat to compress PDF files without significant quality loss. Compression reduces the file size, making it easier to share and download. Can I fill out forms in a PDF file? Yes, most PDF viewers/editors like Adobe Acrobat, Preview (on Mac), or various online tools allow you to fill out forms in PDF files by selecting text fields and entering information. Are there any restrictions when working with PDFs? Some PDFs might have restrictions set by their creator, such as password protection, editing restrictions, or print restrictions. Breaking these restrictions might require specific software or tools, which may or may not be legal depending on the circumstances and local laws.

Find Functional Block Diagram Engineering :

[chapter 6 section 1 the early years moore public schools](#)

chapter 4 simulation programming with vbasim in matlab

chapter 20 section 3 guided reading the great society

chapter 2 the chemistry of life answer key

[chemistry for today 8th edition solutions](#)

[chapter 25 modern genetics](#)

chapter 37 apush quizlet

[chapter 5 study guide answers](#)

chemical kinetics and reactor design prentice hall series in the physical and chemical engineering sciences

chemquest 32 moles and reactions answers

children of the midnight sun young native voices of alaska

chapter 8 chemical reactions answers

chemistry elements and compounds 2 3 worksheet answers

chemical process safety fundamentals with applications 2nd edition solution manual

character analysis wilhelm reich

Functional Block Diagram Engineering :

toyota rav4 service manual steering angle sensor zero point - Feb 09 2023

web if the zero point and output value of the yaw rate and deceleration sensor and the output values of the speed sensors are not normal the steering sensor zero point cannot be learned normally even if the vehicle is driven straight ahead at 35 km h 22 mph or more check steering sensor

toyota rav 4 awd fault u0126 steering angle sensor youtube - Aug 03 2022

web jan 10 2021 toyota rav 4 awd fault u0126 steering angle sensor

c1231 toyota rav4 darelava - Jan 28 2022

web may 17 2023 rav4 c1231 and find the solution for the code toyota rav4 c1231 we ll give to how to fix toyota rav4 c1231 trouble code problem brake control vehicle stability control system bc 95 bc when u0073 94 u0123 62 u0124 95 or u0126 63 are output together with c1231 31 inspect and check engine light and traction

31 1 b trafik cezası 2023 trafik sözlük - Dec 27 2021

web cezası ne kadar kamyon çekici ve otobüslerde takograf taksi otomobillerinde ise taksimetre bulundurmamak kullanılmamak veya kullanılır şekilde bulundurmamak 31 1 b trafik cezası 488 tl idari trafik para cezası ile cezalandırılmaktadır 1 ocak 2020 tarihinden itibaren ktk 31 1b maddesine 110 lira zam yapılarak 598 lira olmuştur

toyota c1231 steering angle sensor mhh auto page 1 - Dec 07 2022

web nov 19 2016 i am wondering if anyone here can hold my hand through the process necessary to rewrite the 93s66 eeprom inside the toyota 89245 74010 steering angle sensor once it stores a fault the sensor is junk but someone from russia has found a

toyota rav4 hybrid modellerinin 2022 fiyatları belli oldu - Feb 26 2022

web model versiyon fiyat listesi 2022 toyota rav4 flame 4 4 hybrid otomatik e cvt 647 850 2022 toyota rav4 passion 4 4 hybrid otomatik e cvt 746 300 2022 toyota rav4 passion x pack 4 4 hybrid otomatik e cvt 783 400 2022 toyota rav4 passion x

sport 4 4 hybrid otomatik e cvt

[dtc toyota c1231 31 short explanation youtube](#) - Apr 11 2023

web dec 22 2020 the video focuses on the basic toyota specific diagnostic error code contents 0 21 basic dtc analysis according to obd2 protocol standard 1 48 insight into p

c1231 toyota rav4 dtc code engine dtc com - Jan 08 2023

web your toyota rav4 engine control system detects a problem the computer stores the diagnostic trouble code c1231 in its memory to figure out what is wrong with your vehicle you must first extract the c1231 dtc for toyota rav4

steering angle sensor issue toyota rav4 forums - Mar 10 2023

web feb 11 2021 hello i am facing the same problem with a toyota rav4 2012 model its a big mess i am working on it over a month now the only fault codes that i have are c1210 c1336 u0100 u0126 i replace airbag module steering angle sensor 4wheel drive module and no difference

code c1231 toyota steering angle sensor circuit malfunction - Aug 15 2023

web aug 27 2020 code c1231 toyota description the skid control ecu inputs the steering sensor signal through the can communication the skid control ecu sets the obdii code when a malfunction occurs in the communication line with the steering sensor c1231 toyota code steering angle sensor circuit malfunction

toyota rav4 c1231 engine error code toyota rav4 c1231 - Oct 05 2022

web toyota rav4 c1231 obd ii diagnostic chassis c trouble code information page reason for toyota rav4 c1231 and find the solution for the code toyota rav4 c1231 we ll give to how to fix toyota rav4 c1231 trouble code problem

[how i reset steering angle sesnor abs vsa traction control youtube](#) - Jul 14 2023

web sep 27 2016 this video will show you how i reset steering angle sesnor abs vsa traction control brake on any toyota and lexus vehicle s after wheel alignment or wheel bearing replacement using

[abs code c1223 and c1241 toyota rav4 forums](#) - Jul 02 2022

web aug 26 2022 c1241 toyota meaning if there is a problem with the brake actuator assembly skid control electronic control unit power supply circuit the skid control ecu outputs the diagnostic trouble code dtc and prohibits under the fail safe function

toyota rav4 service manual steering angle sensor circuit malfunction - Jun 13 2023

web when u0073 94 u0123 62 u0124 95 or u0126 63 is output together with c1231 31 inspect and repair the trouble areas indicated by u0073 94 u0123 62 u0124 95 or u0126 63 first when there are problems with the speed sensor or the yaw rate sensor dtcs for the steering sensor may be output even when the steering sensor is normal

[dealer found error codes c1231 and c1201 does my car hav](#) - Sep 04 2022

web oct 17 2016 q we had the engine light come on and traction light come on i think i included most of problem in header codes c1201 and c1231 were diagnosed repairs for new charcoal canister and sensor will run around 1 200 or so in

[toyota rav4 hybrid hybrid suv modeli toyota](#) - Jun 01 2022

web toyota nın yeni tnga platformunu kullanan yeni rav4 hybrid daha düşük ağırlık merkezi artan gövde dayanımı daha iyi yol tutuş yüksek konfor geniş kabin alanı ile sınıfının lideri bagaj kapasitesi ve güçlü tasarımı ile segmentinde standartları yeniden belirliyor toyota yeni global mimarisi

[toyota venza c1231 toyota steering angle sensor circuit youtube](#) - Nov 06 2022

web feb 24 2021 steering angle sensor circuit fault

c1201 toyota code meaning causes how to fix it - Mar 30 2022

web sep 10 2023 what does the c1201 toyota code mean the c1201 toyota code indicates a malfunction in the engine control system it s used in conjunction with other codes to determine what s wrong with the vehicle it could relate to the fuel system anti lock brake system traction control system or emissions depending on the other codes

c1231 toyota rav4 pdf support ortax org - Apr 30 2022

web c1231 toyota rav4 pdf introduction c1231 toyota rav4 pdf pdf title c1231 toyota rav4 pdf pdf support ortax org created date 9 3 2023 5 19 36 am

[calibration zero point steering angle position sensor youtube](#) - May 12 2023

web aug 25 2021 98k views 2 years ago calibration zero point steering angle position sensor on toyota scion and lexus this video shows you how to recalibrate the steering angle position sensor if you have

tanz lexikon der gesellschafts volks und kunsttan pdf - Apr 26 2022

web this tanz lexikon der gesellschafts volks und kunsttan can be taken as capably as picked to act

tanz lexikon der gesellschafts volks und kunsttan von den - May 28 2022

web beschreibungen der volks kult kunst und gesellschaftstänze der verschiedenen zeiten und länder die häufigst gesielten ballette der vergangenheit und gegenwart die namen und daten der bedeutendsten tanzkünstler lehrer und komponisten tanztechnische ausdrücke sowie notenbeispiele und literaturhinweise

was ist tanz ki bildungskongress de - Jun 28 2022

web tanz im modernen tanz im jazztanz oder in unterhaltungs tanz der show bis hin zum sex an der stange für den büh nentanz gilt die oft zu lesende definition des tanzes tanz ist körperlicher ausdrück ich möchte in meinen vortrag zunächst nicht über den tanz als ausdrück sprechen 2 der tanz ohne publikum den wir solo zu zweit

tanz wikipedia - Nov 02 2022

web tanz um 1200 wie englisch dance entlehnt von altfranzösisch danse 1 dessen weitere herkunft umstritten ist ist die

umsetzung von inspiration meist musik und oder rhythmus in bewegung tanzen ist ein ritual ein brauch eine darstellende kunstgattung eine berufstätigkeit eine sportart eine therapieform eine form sozialer interaktion

tanz lexikon der gesellschafts volks und kunsttanz von den - Jun 09 2023

web this tanz lexikon der gesellschafts volks und kunsttanz von den anfängen bis zur gegenwart by otto schneider as one of the greater part functioning sellers here will entirely be joined by the best choices to review as recognized adventure as masterfully as wisdom just about tutorial

tanz lexikon der gesellschafts volks und kunsttanz von den - Feb 05 2023

web tanz lexikon der gesellschafts volks und kunsttanz tanz lexikon bibliotheksausgabe otto schneider volks gesellschafts und hoftÄ nze bis zum beginn unseres gesellschaftstanz aus dem lexikon wissen de duden kunsttanz rechtschreibung bedeutung definition

tanz lexikon der gesellschafts volks und kunsttanz von den - Aug 31 2022

web tanz lexikon der gesellschafts volks und kunsttanz von partitions der tanz d 826 tanzkongress düsseldorf kann tanzen die gesellschaft cinii books schneider otto das wissenschaftlich religionspädagogische lexikon im otto lummer

tanz lexikon der gesellschafts volks und kunsttanz von den - Aug 11 2023

web tanz lexikon der gesellschafts volks und kunsttanz von den anfangen bis zur gegenwart amazon sg books

tanz klexikon das kinderlexikon - Jul 30 2022

web der tanz ist eine bestimmte art sich zu bewegen dabei bewegt man den körper oftmals beim hören von musik das tanzen als kunst gehört zu den darstellenden künsten man tanzt zum spaß oder auch als symbol als zeichen für etwas man will manchmal mit dem tanz etwas sagen das tanzen der menschen wird oft verglichen mit der balz

tanz lexikon der gesellschafts volks und kunsttanz von den - Mar 06 2023

web tanz lexikon der gesellschafts volks und kunsttanz von den anfangen bis zur gegenwart on amazon com au free shipping on eligible orders tanz lexikon der gesellschafts volks und kunsttanz von den anfangen bis zur gegenwart

tanz lexikon der gesellschafts volks und kunsttanz von den - Oct 13 2023

web der volks kult kunst und gesellschaftstänze der verschiedenen zeiten und länder die häufigst gesielten ballette der vergangenheit und gegenwart die namen und daten der bedeutendsten tanzkünstler lehrer und komponisten tanztechnische ausdrücke sowie notenbeispiele und literaturhinweise

tanz lexikon der gesellschafts volks und kunsttan copy - Apr 07 2023

web 1 tanz lexikon der gesellschafts volks und kunsttan as recognized adventure as capably as experience more or less lesson amusement as with ease as arrangement can be gotten by just checking out a books tanz lexikon der gesellschafts volks und kunsttan in addition to it is not

tanzlexikon volkstanz kultttanz gesellschaftstanz kunstattanz - May 08 2023

web tanzlexikon volkstanz kultttanz gesellschaftstanz kunstattanz ballett ta nzer ta nzerinnen choreographen tanz und ballettkomponisten von den anfa ngen bis zur gegenwart schneider otto 1912 free download borrow and streaming

tanz lexikon der gesellschafts volks und kunstattanz von den - Jan 04 2023

web jun 9 2023 tanz lexikon der gesellschafts volks und kunstattanz von den anfängen bis zur gegenwart by otto schneider jahren in bezug auf umfassende darstellungen eine lücke auf das

tanz aus dem lexikon wissen de - Oct 01 2022

web tanz frz französisch danse sammelbegriff für jede art von rhythm rhythmischer körperbewegung eines der ursprünglichsten naturtriebhaften ausdrucks mittel des menschen um seelisch geistige vorgänge durch bewegungen des

tanz lexikon der gesellschafts volks und kunstattan uniport edu - Mar 26 2022

web apr 3 2023 tanz lexikon der gesellschafts volks und kunstattan getting the books tanz lexikon der gesellschafts volks und kunstattan now is not type of challenging means you could not solitary going similar to ebook heap or library or borrowing from your connections to edit them this is an totally easy means to specifically get lead by on line

tanz lexikon der gesellschafts volks und kunstattanz von den - Jul 10 2023

web may 2nd 2020 der tanz als form des gesellschaftlichen umgangs der sich aus volks und kunstattanz entwickelte die geschichte des gesellschaftstanzes reicht in die zeit des höfischen zeremoniells zurück für das im 15 und 16 jahrhundert

tanz lexikon der gesellschafts volks und kunstattanz von den - Sep 12 2023

web es enthält die namen und beschreibungen der volks kult kunst und gesellschaftstänze der verschiedenen zeiten und länder die häufigst gesielten ballette der vergangenheit und gegenwart die namen und daten der bedeutendsten tanzkünstler lehrer und komponisten tanztechnische ausdrücke sowie notenbeispiele und

tanz lexikon der gesellschafts volks und kunstattanz von den - Dec 03 2022

web bibliophile ausgabe 628 s 346 abb halbleder dieses nachschlagewerk hat eine der ältesten und doch immer zeitgemäßen künste der menschheit zum gegenstand d

tanz lexikon der gesellschafts volks und kunstattanz von den - Feb 22 2022

web sep 15 2023 may 19th 2020 tanz lexikon der gesellschafts volks und kunstattanz von den anfängen bis zur gegenwart mit bibliographien und notenbeispielen unter mitarbeit von riki raab ehemalige solotänzerin der wiener virtuellevents straumann com 8 55

diy fleurs sa c cha c es cra c ations et techniqu pdf copy - Apr 02 2022

web jun 5 2023 as this diy fleurs sa c cha c es cra c ations et techniqu pdf it ends in the works physical one of the favored ebook diy fleurs sa c cha c es cra c ations et

[bouquets de fleurs fleurs a fabriquer tête à modeler](#) - Dec 30 2021

web tout le matériel les produits indispensables les produits complémentaires kit 12 fleurs porte photos à fabriquer réf 38134 9 48 soit 0 79 fleur kit 6 fleurs en

[diy fleurs sa c cha c es cra c ations et techniqu 2023](#) - Jun 16 2023

web 4 diy fleurs sa c cha c es cra c ations et techniqu 2023 03 22 friends and family in new york who were in turn able to secure his release northup s account provides

[diy fleurs sa c cha c es cra c ations et techniqu pdf 2023](#) - May 03 2022

web jul 2 2023 diy fleurs sa c cha c es cra c ations et techniqu pdf right here we have countless book diy fleurs sa c cha c es cra c ations et techniqu pdf and

free diy fleurs sa c cha c es cra c ations et techniqu pdf - Oct 28 2021

web diy fleurs sa c cha c es cra c ations et techniqu pdf is genial in our digital library an online right of entry to it is set as public in view of that you can download it instantly our

[diy fleurs sa c cha c es cra c ations et techniqu pdf full pdf](#) - Mar 13 2023

web title diy fleurs sa c cha c es cra c ations et techniqu pdf full pdf created date 6 9 2023 1 47 45 am

diy fleurs sa c cha c es cra c ations et techniqu copy - Oct 08 2022

web apr 8 2023 diy fleurs sa c cha c es cra c ations et techniqu is available in our book collection an online access to it is set as public so you can download it instantly our

[diy fleurs sa c cha c es cra c ations et techniqu 2022](#) - Jan 31 2022

web it is your very own epoch to perform reviewing habit accompanied by guides you could enjoy now is diy fleurs sa c cha c es cra c ations et techniqu below diy fleurs

[diy fleurs sa c cha c es cra c ations et techniqu copy](#) - Apr 14 2023

web may 4 2023 diy fleurs sa c cha c es cra c ations et techniqu 3 3 downloaded from uniport edu ng on may 4 2023 by guest charles fleming 1873 boyer s royal dictionary

340 meilleures idées sur fleurs diy en 2023 pinterest - Jan 11 2023

web 26 mai 2023 explorez le tableau fleurs diy de drine de c auquel 176 utilisateurs de pinterest sont abonnés voir plus d idées sur le thème fleurs diy fleurs en tissu fleurs

[downloadable free pdfs diy fleurs sa c cha c es cra c](#) - Jul 05 2022

web diy fleurs sa c cha c es cra c ations et techniqu engineering optimization oct 11 2020 the classic introduction to engineering optimization theory and practice now

diy fleurs sa c cha c es cra c ations et techniqu pdf pdf - Aug 06 2022

web apr 20 2023 *diy fleurs sa c cha c es cra c ations et techniqu pdf* eventually you will categorically discover a new experience and carrying out by spending more cash yet

diy fleurs sa c cha c es cra c ations et techniqu 2023 - May 15 2023

web *diy fleurs sa c cha c es cra c ations et techniqu* if you ally infatuation such a referred *diy fleurs sa c cha c es cra c ations et techniqu* ebook that will have the funds for

diy fleurs sa c cha c es cra c ations et techniqu henry - Sep 07 2022

web as this *diy fleurs sa c cha c es cra c ations et techniqu* it ends in the works living thing one of the favored books *diy fleurs sa c cha c es cra c ations et techniqu*

diy fleurs sa c cha c es cra c ations et techniqu 2023 - Jun 04 2022

web *diy fleurs sa c cha c es cra c ations et techniqu* the american encyclopædic dictionary oct 08 2020 earth s incredible oceans jan 03 2023 enter the world of

diy créez facilement vos fleurs en papier la délicate - Dec 10 2022

web de quoi créer une décoration monochrome et très poétique pour cela il vous faut une paire de ciseaux du papier épais un crayon un patron de fleur de votre choix 1

3 manières de fabriquer des fleurs artificielles wikipédia - Nov 28 2021

web utilisez des ciseaux bien aiguisés pour découper un cercle tout autour de l agrafe au milieu des mouchoirs découpez le cercle selon la taille que vous voulez donner à vos fleurs

160 idées de fleurs diy en 2023 fleurs diy fleurs en - Feb 12 2023

web 27 mars 2023 explorez le tableau fleurs diy de shirley pons auquel 162 utilisateurs de pinterest sont abonnés voir plus d idées sur le thème fleurs diy fleurs en papier

diy fleurs sa c cha c es cra c ations et techniqu pdf - Jul 17 2023

web jun 4 2023 *diy fleurs sa c cha c es cra c ations et techniqu 3 3* downloaded from uniport edu ng on june 4 2023 by guest a french and english dictionary joseph wilson

diy fleurs sa c cha c es cra c ations et techniqu copy - Mar 01 2022

web 2 *diy fleurs sa c cha c es cra c ations et techniqu 2021 03 23* verity chicka chicka boom boom board book stop overthinking 23 techniques to relieve stress

diy fleurs sa c cha c es cra c ations et techniqu pdf - Sep 19 2023

web may 28 2023 right here we have countless ebook *diy fleurs sa c cha c es cra c ations et techniqu* and collections to check out we additionally meet the expense of variant

diy fleurs sa c cha c es cra c ations et techniqu edward - Nov 09 2022

web diy fleurs sa c cha c es cra c ations et techniqu is available in our book collection an online access to it is set as public so you can get it instantly our digital library hosts in

[diy fleurs sa c cha c es cra c ations et techniqu pdf](#) - Aug 18 2023

web jul 20 2023 diy fleurs sa c cha c es cra c ations et techniqu 1 1 downloaded from uniport edu ng on july 20 2023 by guest diy fleurs sa c cha c es cra c ations et