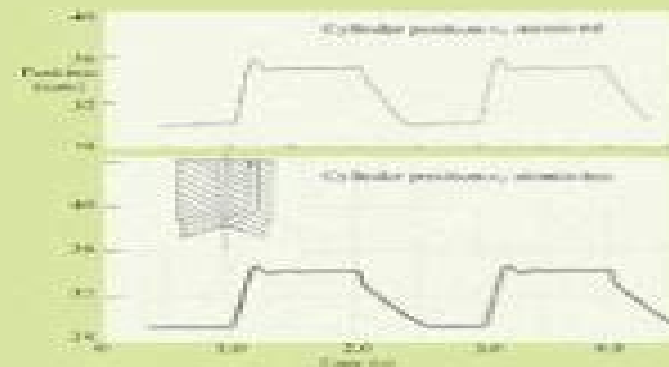
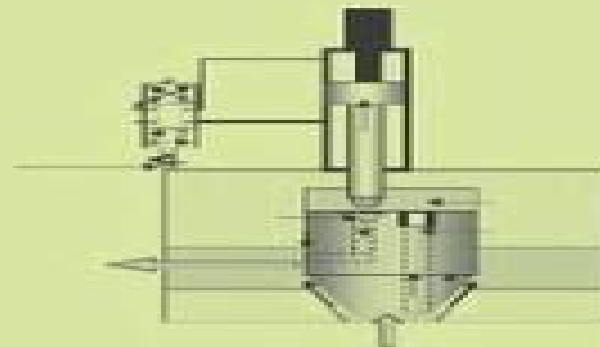
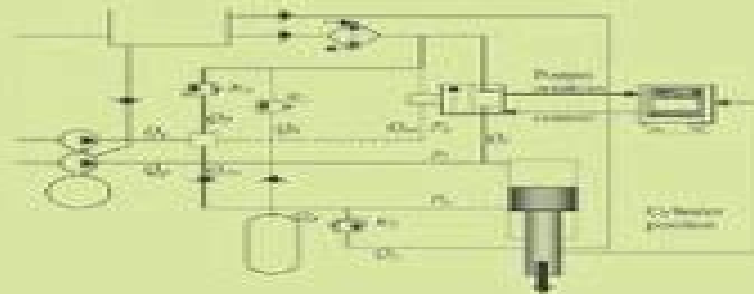
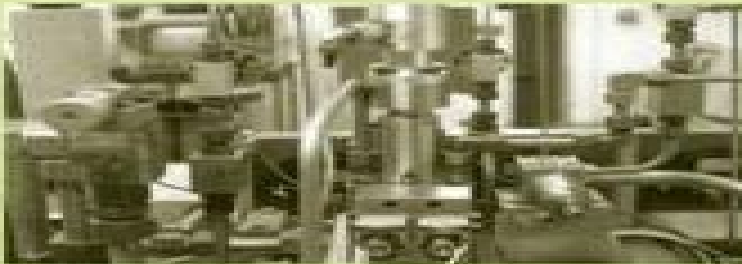


Fundamentals of Fluid Power Control

JOHN WATTON



Fundamentals Of Fluid Power Control Assets

G Psacharopoulos



Fundamentals Of Fluid Power Control Assets:

As recognized, adventure as capably as experience about lesson, amusement, as well as understanding can be gotten by just checking out a ebook **Fundamentals Of Fluid Power Control Assets** then it is not directly done, you could bow to even more a propos this life, more or less the world.

We manage to pay for you this proper as skillfully as easy mannerism to get those all. We provide Fundamentals Of Fluid Power Control Assets and numerous book collections from fictions to scientific research in any way. in the course of them is this Fundamentals Of Fluid Power Control Assets that can be your partner.

https://py.bijouxmedusa.com/files/book-search/HomePages/Boruto_Naruto_Next_Generations_15_Vostfr_Jetanime_Com.pdf

Table of Contents Fundamentals Of Fluid Power Control Assets

1. Understanding the eBook Fundamentals Of Fluid Power Control Assets
 - The Rise of Digital Reading Fundamentals Of Fluid Power Control Assets
 - Advantages of eBooks Over Traditional Books
2. Identifying Fundamentals Of Fluid Power Control Assets
 - Exploring Different Genres
 - Considering Fiction vs. Non-Fiction
 - Determining Your Reading Goals
3. Choosing the Right eBook Platform
 - Popular eBook Platforms
 - Features to Look for in an Fundamentals Of Fluid Power Control Assets
 - User-Friendly Interface
4. Exploring eBook Recommendations from Fundamentals Of Fluid Power Control Assets
 - Personalized Recommendations
 - Fundamentals Of Fluid Power Control Assets User Reviews and Ratings
 - Fundamentals Of Fluid Power Control Assets and Bestseller Lists
5. Accessing Fundamentals Of Fluid Power Control Assets Free and Paid eBooks

- Fundamentals Of Fluid Power Control Assets Public Domain eBooks
 - Fundamentals Of Fluid Power Control Assets eBook Subscription Services
 - Fundamentals Of Fluid Power Control Assets Budget-Friendly Options
6. Navigating Fundamentals Of Fluid Power Control Assets eBook Formats
 - ePub, PDF, MOBI, and More
 - Fundamentals Of Fluid Power Control Assets Compatibility with Devices
 - Fundamentals Of Fluid Power Control Assets Enhanced eBook Features
 7. Enhancing Your Reading Experience
 - Adjustable Fonts and Text Sizes of Fundamentals Of Fluid Power Control Assets
 - Highlighting and Note-Taking Fundamentals Of Fluid Power Control Assets
 - Interactive Elements Fundamentals Of Fluid Power Control Assets
 8. Staying Engaged with Fundamentals Of Fluid Power Control Assets
 - Joining Online Reading Communities
 - Participating in Virtual Book Clubs
 - Following Authors and Publishers Fundamentals Of Fluid Power Control Assets
 9. Balancing eBooks and Physical Books Fundamentals Of Fluid Power Control Assets
 - Benefits of a Digital Library
 - Creating a Diverse Reading Collection Fundamentals Of Fluid Power Control Assets
 10. Overcoming Reading Challenges
 - Dealing with Digital Eye Strain
 - Minimizing Distractions
 - Managing Screen Time
 11. Cultivating a Reading Routine Fundamentals Of Fluid Power Control Assets
 - Setting Reading Goals Fundamentals Of Fluid Power Control Assets
 - Carving Out Dedicated Reading Time
 12. Sourcing Reliable Information of Fundamentals Of Fluid Power Control Assets
 - Fact-Checking eBook Content of Fundamentals Of Fluid Power Control Assets
 - Distinguishing Credible Sources
 13. Promoting Lifelong Learning
 - Utilizing eBooks for Skill Development

- Exploring Educational eBooks
14. Embracing eBook Trends
- Integration of Multimedia Elements
 - Interactive and Gamified eBooks

Fundamentals Of Fluid Power Control Assets Introduction

In this digital age, the convenience of accessing information at our fingertips has become a necessity. Whether its research papers, eBooks, or user manuals, PDF files have become the preferred format for sharing and reading documents. However, the cost associated with purchasing PDF files can sometimes be a barrier for many individuals and organizations. Thankfully, there are numerous websites and platforms that allow users to download free PDF files legally. In this article, we will explore some of the best platforms to download free PDFs. One of the most popular platforms to download free PDF files is Project Gutenberg. This online library offers over 60,000 free eBooks that are in the public domain. From classic literature to historical documents, Project Gutenberg provides a wide range of PDF files that can be downloaded and enjoyed on various devices. The website is user-friendly and allows users to search for specific titles or browse through different categories. Another reliable platform for downloading Fundamentals Of Fluid Power Control Assets free PDF files is Open Library. With its vast collection of over 1 million eBooks, Open Library has something for every reader. The website offers a seamless experience by providing options to borrow or download PDF files. Users simply need to create a free account to access this treasure trove of knowledge. Open Library also allows users to contribute by uploading and sharing their own PDF files, making it a collaborative platform for book enthusiasts. For those interested in academic resources, there are websites dedicated to providing free PDFs of research papers and scientific articles. One such website is Academia.edu, which allows researchers and scholars to share their work with a global audience. Users can download PDF files of research papers, theses, and dissertations covering a wide range of subjects. Academia.edu also provides a platform for discussions and networking within the academic community. When it comes to downloading Fundamentals Of Fluid Power Control Assets free PDF files of magazines, brochures, and catalogs, Issuu is a popular choice. This digital publishing platform hosts a vast collection of publications from around the world. Users can search for specific titles or explore various categories and genres. Issuu offers a seamless reading experience with its user-friendly interface and allows users to download PDF files for offline reading. Apart from dedicated platforms, search engines also play a crucial role in finding free PDF files. Google, for instance, has an advanced search feature that allows users to filter results by file type. By specifying the file type as "PDF," users can find websites that offer free PDF downloads on a specific topic. While downloading Fundamentals Of Fluid Power Control Assets free PDF files is convenient, its important to note that copyright laws must be respected. Always ensure that

the PDF files you download are legally available for free. Many authors and publishers voluntarily provide free PDF versions of their work, but its essential to be cautious and verify the authenticity of the source before downloading Fundamentals Of Fluid Power Control Assets. In conclusion, the internet offers numerous platforms and websites that allow users to download free PDF files legally. Whether its classic literature, research papers, or magazines, there is something for everyone. The platforms mentioned in this article, such as Project Gutenberg, Open Library, Academia.edu, and Issuu, provide access to a vast collection of PDF files. However, users should always be cautious and verify the legality of the source before downloading Fundamentals Of Fluid Power Control Assets any PDF files. With these platforms, the world of PDF downloads is just a click away.

FAQs About Fundamentals Of Fluid Power Control Assets Books

How do I know which eBook platform is the best for me? Finding the best eBook platform depends on your reading preferences and device compatibility. Research different platforms, read user reviews, and explore their features before making a choice. Are free eBooks of good quality? Yes, many reputable platforms offer high-quality free eBooks, including classics and public domain works. However, make sure to verify the source to ensure the eBook credibility. Can I read eBooks without an eReader? Absolutely! Most eBook platforms offer web-based readers or mobile apps that allow you to read eBooks on your computer, tablet, or smartphone. How do I avoid digital eye strain while reading eBooks? To prevent digital eye strain, take regular breaks, adjust the font size and background color, and ensure proper lighting while reading eBooks. What the advantage of interactive eBooks? Interactive eBooks incorporate multimedia elements, quizzes, and activities, enhancing the reader engagement and providing a more immersive learning experience. Fundamentals Of Fluid Power Control Assets is one of the best book in our library for free trial. We provide copy of Fundamentals Of Fluid Power Control Assets in digital format, so the resources that you find are reliable. There are also many Ebooks of related with Fundamentals Of Fluid Power Control Assets. Where to download Fundamentals Of Fluid Power Control Assets online for free? Are you looking for Fundamentals Of Fluid Power Control Assets PDF? This is definitely going to save you time and cash in something you should think about.

Find Fundamentals Of Fluid Power Control Assets :

boruto naruto next generations 15 vostfr jetanime com
[brushless esc schematic pdf download](#)

business for the 21st century by skinner

~~boardado en cinta~~

bp oil spill solution

business and society thorne

business communication today 6th edition by bovee courtland l thill john v 1999 08 10 hardcover

~~building maintainable software java edition geekbooks~~

business communication topics for research paper

business answers international

business strategy in asia a casebook

~~bs en 12004 torrentismylife~~

business essentials 9th edition download

boring to brilliant a speakers

~~burger king assessment test answers~~

Fundamentals Of Fluid Power Control Assets :

engineering mechanics dynamics meriam 7th edition solutions scribd - Aug 15 2023

web download or read engineering mechanics dynamics meriam 7th edition solutions pdf here the writers of engineering mechanics dynamics meriam 7th edition solutions have made all reasonable attempts to offer latest and precise information and facts for the

engineering dynamics j l meriam 7th edition solution docsity - Sep 04 2022

web engineering dynamics j l meriam 7th edition solution exercises dynamics docsity study with the several resources on docsity prepare for your exams with the study notes shared by other students like you on docsity the best documents sold by students who completed their studies

engineering mechanics dynamics 7th edition solutions manual meriam kraige - Nov 06 2022

web download engineering mechanics dynamics 7th edition solutions manual meriam kraige pdf file for free get many pdf ebooks from our online library related with engineering mechanics dynamics 7th edition solutions manual meriam kraige engineering mechanics dynamics 7th edition solutions manual meriam kraige pdf

engineering mechanics dynamics 7th edition textbook solutions - Apr 30 2022

web textbook solutions for engineering mechanics dynamics 7th edition j l meriam and others in this series view step by step homework solutions for your homework ask our subject experts for help answering any of your homework questions

meriam statics 7th edition solution manual read online pdf scribd - Aug 03 2022

web meriam statics 7th edition solution manual read online if searching for the ebook meriam statics 7th edition solution manual in pdf format in that case you come on to the loyal website we present complete option of this ebook in djvu pdf epub txt doc forms you can reading online meriam statics 7th edition solution

engineering mechanics dynamics 7th edition j l meriam l - Dec 07 2022

web sign in engineering mechanics dynamics 7th edition j l meriam l g kraige pdf google drive sign in engineering mechanics dynamics meriam 7th edition solution - Mar 10 2023

web engineering mechanics dynamics meriam 7th edition solution manual the preview only show first 10 pages of manuals please download to view the full documents loading preview please wait submitted by beverly galiste file size 42 3 kb file type application pdf report dmca this file

solutions manual engineering mechanics dynamics 7th - Jun 01 2022

web aug 24 2014 solutions manual fundamentals of fluid mechanics 4e bruce r munson donald f young theodore h solutions manual fundamentals of futures and options markets 7th ed by hull solutions manual fundamentals of geotechnical engineering 4th edition by braja m das

meriam kraige engineering mechanics dynamics 7th solutions pdf scribd - May 12 2023

web our ebooks online or by storing it on your computer you have convenient answers with meriam kraige engineering mechanics dynamics 7th solutions pdf to get started finding meriam kraige engineering mechanics dynamics 7th solutions and you are right to find the biggest collection of listed

engineering mechanics dynamics 7th edition j l meriam l scribd - Oct 05 2022

web descripción meriam 7th edition copyright all rights reserved formatos disponibles descargue como pdf txt o lea en línea desde scribd marcar por contenido inapropiado descargar ahora de 2 problem answers 717 2r 0 3b□2gh 6 189 t 6 207 n 62 5 g 2 sin 7 k cos 2 b2 c2 2 6 208 s 5 tan 2r 0 sin k cos

engineering mechanics dynamics 7th edition solutions manual scribd - Apr 11 2023

web read online and download pdf ebook meriam kraige dynamics 7th edition solutions download meriam kraige dynamics 7th edition solutions pdf file for free get many pdf ebooks from our online library related with meriam kraige dynamics 7th edition solutions meriam kraige dynamics 7th edition solutions pdf filetype pdf

engineering mechanics dynamics 7th edition meriam solutions manual scribd - Jul 14 2023

web engineering mechanics dynamics 7th edition meriam solutions manual uploaded by williambeckymce description solutions manual copyright all rights reserved available formats download as pdf txt or read online from scribd flag for inappropriate content download now of 25 engineering mechanics dynamics 7th edition meriam

engineering mechanics dynamics 7th edition solution manual meriam scribd - Jun 13 2023

web engineering mechanics dynamics 7th edition solution manual meriam free download as pdf file pdf text file txt or read online for free meriam

dynamics 7th edition meriam kraige solution manual issuu - Mar 30 2022

web jul 4 2017 get dynamics 7th edition meriam kraige solution manual pdf file for free from our online l dynamics 7th edition meriam kraige solution manual table of content

engineering mechanics dynamics 7th edition solutions and quizlet - Feb 09 2023

web our resource for engineering mechanics dynamics includes answers to chapter exercises as well as detailed information to walk you through the process step by step with expert solutions for thousands of practice problems you can take the guesswork out of studying and move forward with confidence

meriam dynamics 7th edition solutions scribd pdf blog stylewe - Jan 28 2022

web solutions 7th edition pdf free meriam and kraige dynamics 7th edition solutions get read download ebook meriam and kraige dynamics 7th edition solutions as pdf for free at the biggest ebook library in the world

engineering mechanics dynamics meriam 7th edition solution - Jan 08 2023

web download engineering mechanics dynamics meriam 7th edition solution manual free in pdf format

statics meriam kraige 7th edition solutions manual scribd - Jul 02 2022

web this pdf ebook is one of digital edition of statics meriam kraige 7th edition solutions manual download that can be search along internet in google bing yahoo and other mayor seach engine this special edition completed with other document such as

meriam dynamics 7th edition solutions scribd pdf pdf - Dec 27 2021

web this edition clearly introduces critical concepts using features that connect real problems and examples with the fundamentals of engineering mechanics readers learn how to effectively analyze

free meriam dynamics 7th edition solutions scribd - Feb 26 2022

web meriam dynamics 7th edition solutions scribd engineering mechanics dynamics 7th edition quizlet apr 03 2023 web now with expert verified solutions from engineering mechanics dynamics 7th edition you ll learn how to solve your toughest homework problems our resource for engineering

cheese please 5 restaurants in singapore to try for a fromage fix - Oct 17 2023

web cheese please 5 restaurants in singapore to try for a fromage fix tatler asia from cheese buffets to cheese wheels these dining places are sure to satisfy any cheese

12 tips for cooking with cheese serious eats - Apr 11 2023

web mar 2 2023 here are a few tips that will have you creating amazing cheese based dishes that will dazzle and delight if you re shredding your cheese before cooking with it be sure to do so while it s cold lest it turn to mush this goes for hard cheeses as well ideal ways of shredding cheese are with a knife a food processor or a good old fashioned

griffith foods asia pacific cheese please - Jul 14 2023

web cheese on its own is a common snack throughout europe while south american consumers enjoy sweet cheese snacks on the go such as cottage cheese with guava apple cinnamon or strawberry toppings energy bars and snack mixes can also be great ways to bring cheese into the snacking space

griffith foods asia pacific webinar cheese please - Mar 10 2023

web join us as we take a deep dive into cheese please with global market research partner mintel this report covers cheese please through a regional lens across our three business segments including cpg snacking protein and qsr foodservice with the overarching objective of elevating insight driven culinary leadership around the world

bacon wrapped dates with goat cheese eatingwell - Dec 07 2022

web nov 17 2023 directions preheat oven to 375 f line a baking sheet with parchment paper mix goat cheese water and thyme in a medium bowl until well blended and smooth using a paring knife cut a slit lengthwise down one side of each date remove pit place the dates on the prepared baking sheet

these magnificent singapore grilled cheese sammies are - Feb 09 2023

web sep 9 2021 other highlights include the grilled cheese sammy for 13 the 18 roasted chook overloaded with chicken salad toppings the biggie croque at 18 that comes jam packed in country sourdough bread with smoked turkey ham mustard creamy swiss cheese and more

with cheese please knowitall - Oct 05 2022

web with cheese please knowitall 1 with cheese please knowitall as recognized adventure as with ease as experience approximately lesson amusement as skillfully as pact can be gotten by just checking out a ebook with cheese please knowitall also it is not directly done you could resign yourself to even more in relation to this life almost the

with cheese please knowitall - Aug 03 2022

web 4 with cheese please knowitall 2022 04 11 oxford please release me delacorte press 1 bestselling top secret recipes series with more than 1 5 million top secret recipes books sold todd wilbur is the reigning master of professional quality clones of america s best loved brand name foods in even more top secret recipes wilbur shares the

with cheese please knowitall - Sep 16 2023

web we give with cheese please knowitall and numerous books collections from fictions to scientific research in any way among them is this with cheese please knowitall that can be your partner weallgetalong gabrielle stanhope 2018 11 17 the

only thing that matters in weallgetalong texas is that they all get along with so many diverse

10 grilled cheese sandwiches that are super cheesy for the - May 12 2023

web feb 1 2018 address 252 north bridge road b1 54 raffles city shopping centre singapore 179103 opening hours daily 9am to 9pm tel 6920 2922 website menu full list of outlets 4 grandma s classic image credit 3fatbees from the folks behind once upon a milkshake the rösti farm specialises in rosti finger food and grilled cheese

with cheese please knowitall wrbb neu edu - Jul 02 2022

web 2 with cheese please knowitall 2023 01 02 those who had witnessed an evil that verges on the unspeakable manufactured milk products journal stephen stark in this deeply etched and haunting memoir vivian gornick tells the story of her lifelong battle with her mother for independence there have been numerous books about mother and

asmr mukbang boo s philly cheesesteak with cheese and crispy cheese - Nov 06 2022

web nov 16 2023 follow the vlog channel youtube com channel ucma90p6l9njqxlmqgkwzfhgs subscribe if you guys enjoyed it and please don t forget to

primus american life seas of cheese mr knowitall - Apr 30 2022

web larry is indeed a bastard we re primus we suck we have no qualms about that roskilde festival 1991

with cheese please knowitall protease odontocompany com - Feb 26 2022

web 2 with cheese please knowitall 2022 12 14 1 bestselling top secret recipes series with more than 1 5 million top secret recipes books sold todd wilbur is the reigning master of professional quality clones of america s best loved brand name foods in even more top secret recipes wilbur shares the secrets to making your own delicious

with cheese please knowitall - Sep 04 2022

web with cheese please knowitall 1 with cheese please knowitall recognizing the pretension ways to acquire this ebook with cheese please knowitall is additionally useful you have remained in right site to begin getting this info get the with cheese please knowitall connect that we come up with the money for here and check out the link

10 ultra cheesy dishes with an instagrammable cheese - Aug 15 2023

web aug 4 2020 in the spirit of breaking our limits of cheese consumption here s a guide to 10 ultra cheesy dishes that will make you melt or test your level of lactose intolerance photo credit burpple 1 cheese story mookata buffet cheese dip

the 15 best places for cheese in singapore foursquare - Jun 13 2023

web oct 27 2023 get the garlic cheese naan and pair it up with butter chicken plain awesome ness j butter chicken to die for really good naans butter garlic or cheese 14 etna italian restaurant 8 3 110 upper east coast road singapore italian restaurant bedok 36 tips and reviews

[cheese made in singapore singular matters](#) - Jun 01 2022

web le névé is a creamy and tender fresh cheese made from pasteurized cow milk it comes in different flavors of spices and herbs this is the perfect cheese for a snack to share with friends at apéro or as dessert with fruits jam or honey discover more singular matters is an artisanal cheese shop in singapore

with cheese please knowitall uniport edu ng - Mar 30 2022

web may 3 2023 with cheese please knowitall 2 7 downloaded from uniport edu ng on may 3 2023 by guest industrial and artisanal cheesemaking practices it promotes the use of ethical animal rennet and protests the use of laboratory grown freeze dried cultures it also explores how gmo technology is creeping into our cheese and the steps we can take

loaded grill cheese cheese please recipe by tasty - Jan 08 2023

web aug 14 2023 add 1 slice of swiss cheese to one slice of bread add even layer of mac n cheese on top of cheese add additional slices of swiss on top of mac n cheese add onions on top of cheese on low heat add sandwich to a pan and grill mayo side down grill for 3 5 minutes or until cheese melts and bread browns enjoy

printable puppets to craft and play moms and crafters - Jun 05 2022

web mar 15 2021 printable stick puppets good old stick puppets mostly require such basic supplies and are easy to use there are two types of printable stick puppets one is a printable coloring page or full color puppet that you use directly these are really design intensive on the designer s end but so quick and easy for you to assemble

parable of the good samaritan puppet template - May 04 2022

web in the parable the good samaritan jesus teaches christians to love their neighbors as they would love themselves the story is about a man who is robbed and left hurt on the side of the road both a priest and a levite pass by the man leaving him suffering and without help

bible stick puppets pinterest - Feb 13 2023

web mar 10 2018 explore digital by design inc s board bible stick puppets followed by 52 141 people on pinterest see more ideas about bible crafts sunday school crafts bible crafts for kids

simple puppets mission bible class - Oct 09 2022

web simple puppets how to make simple paper finger puppets watch on supplies paper scissors tape crayons markers or coloured pencils if you wish to colour the puppets simple puppet patterns or draw your own instructions choose a bible story and read the passage from the bible with this in mind make a list of characters needed to tell the story

free printable bible stick puppets thinking kids - Oct 21 2023

web feb 24 2023 your 42 bible character puppets come with free printable stick puppet templates instructions and finished pictures your children can use the stick puppet templates to create as many stick puppets as they d like and they can decorate them any way they want to

[bible stick puppet template etsy](#) - Jan 12 2023

web bible stick puppet template 1 2 of 2 results price shipping all sellers kids nativity craft bundle display finger puppets stick figures christmas cube bible christmas story jesus birth nativity coloring 552 5 00

nativity craft nativity stick puppets free printable patterns - Apr 03 2022

web dec 21 2020 to make these nativity stick puppets i have easy to follow step by step directions plus i have free downloadable mary joseph baby jesus and star stick puppet patterns for you to use advertisement note the downloadable pattern for the nativity stick puppets is available toward the end of this post

[samson paper craft dltk s crafts for kids](#) - Nov 10 2022

web instructions print out the template of choice color the pieces as appropriate and cut them out optional you can glue strands of wool to the hair to extend the craft templates close the template window after printing to return to this screen *puppets bible lesson activities for children sunday school zone* - Jul 06 2022

web this free printable puppets activity based on 2 kings 5 1 16 can remind children that god values trust and obedience it can be used in a homeschool setting one on one or in a classroom setting like sunday school

story of creation popsicle stick theater puppets whats in the bible - Mar 02 2022

web puppets for the story of creation popsicle stick theater puppets for popsicle stick theater creation here are all the wonderful puppets to download in order to put on

results for bible stick puppets tpt - Aug 07 2022

web these fun bible coloring pages are perfect for shavuot for hebrew school or for any bible educational class teaching the story of the book of ruth you get the printable shavuot puppets in black and white to print color cut out and glue onto craft sticks it also comes with a single page printable with an outline of the characters a quick syn

[family puppets dltk s crafts for kids](#) - Sep 08 2022

web dltk s bible activities for kids family puppets these can be treated as coloring pages puppets or felt board characters to make them into puppets simply tape a drinking straw popsicle stick or unsharpened pencil to the back to make them felt board characters glue a small piece of coarse sand paper to the back materials

free printable bible stick puppets thinking kids wooden - Sep 20 2023

web your 42 bible character puppets come with free printer stick puppet templates instructions and finished pictures your children able use the stick puppet templates to create while several stick puppets as they d like and they bucket decorate you whatever way they want to

[bible people printable the activity mom](#) - Aug 19 2023

web oct 14 2023 bible people printable last updated october 14 2023 you can use this free bible people printable to

introduce your children to some of the important people in the bible you could make puppets with them create felt board people or use them for other crafts and activities

[bible stick puppets for children s ministry danielle s place](#) - May 16 2023

web twenty bible stick puppets to teach or review bible stories available in three different sizes 7 inch 5 inch and 3 inch color and black white children color and draw in the faces on the black and white patterns member s instant download includes 7 inch 5 inch and 3 inch puppets in both color and black white more stick puppets

the prodigal son stick puppets teacher made twinkl - Dec 11 2022

web the prodigal son differentiated sequencing worksheet the prodigal son story powerpoint the good samaritan colouring sheets the prodigal son story sequencing cards the prodigal son story powerpoint help a set of small images for you to cut out and use as stick puppets to bring this story to life

[loose printable children s bible crafts you ll fondness](#) - Apr 15 2023

web children s bible crafts are a amusing way to enhance your family s bible study check out this list the free printable children s bible crafts

free printable bible stick puppets youtube - Mar 14 2023

web jun 1 2021 760 views 1 year ago tell each bible story with this large set of 42 free printable bible stick puppets stick puppet printables make creating bible puppets easy

twenty bible stick puppets printable craft patterns - Jun 17 2023

web printable patterns for this craft includes 29 pages 7 inch 5 inch and 3 inch puppets patterns 3 women 3 men 2 jesus puppets king and queen puppet 2 soldiers and 2 angels 3 wisemen mary joseph and manger black and white and color patterns

free printable children s bible crafts you ll love - Jul 18 2023

web bible stick puppet craft your child can tell bible stories with this large set of 42 free printable bible stick puppets advent coloring book a fun activity about the birth of jesus lacing paper plate craft create an interactive nativity scene with a