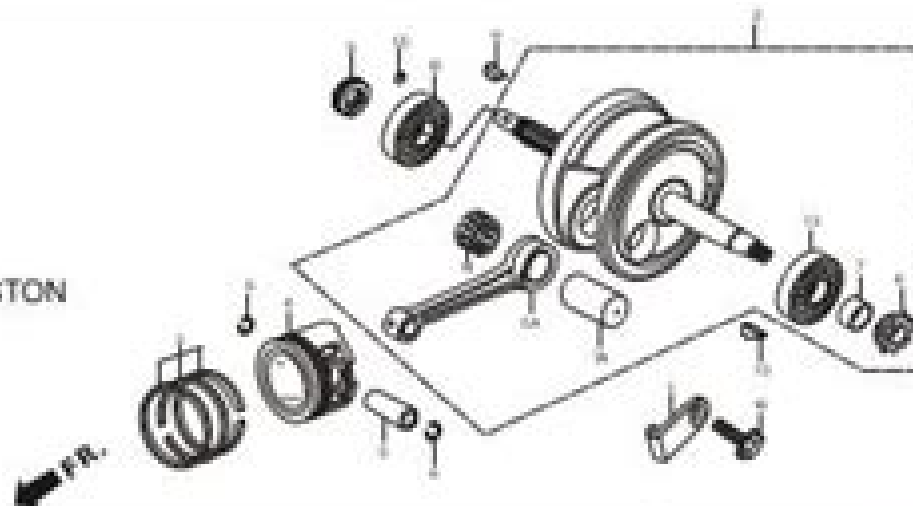


## E-9 CRANK SHAFT/PISTON



Service Item	P.A.T.	Qty.	Part No.	Description	Repl. No./New COVER SPLINDOR	
					COVER SET	
					SPRIG	LAST
*CRANK SHAFT COMP. ....	4.0	1	13004-K7C-000	PLATE, BEARING SET .....	0	0
*RING SET, PISTON .....	1.0	0	13005-K7C-000	CRANK SHAFT COMP. ....	1	1
*RING OIL .....						
*RING PISTON .....	1.0	0	13006-K7C-000	RING SET, PISTON (STD) .....	1	1
*PROD. CONNECTING (ACTUAL, TIME)			13007-K7C-000	RING SET, PISTON (J2 S. 0.25) .....	(1)	(1)
*BEARING MAIN, FRONT, (STD)	4.0		13008-K7C-000	RING SET, PISTON (J2 S. 0.50) .....	(1)	(1)
(ADD 0.1 FOR EACH)			13009-K7C-000	RING SET, PISTON (J2 S. 0.75) .....	(1)	(1)
			13010-K7C-000	RING SET, PISTON (J2 S. 1.00) .....	(1)	(1)
		4	13011-K7C-000	PISTON (STD) .....	1	1
			13012-K7C-000	PISTON (J2 S. 0.25) .....	(1)	(1)
			13013-K7C-000	PISTON (J2 S. 0.50) .....	(1)	(1)
			13014-K7C-000	PISTON (J2 S. 0.75) .....	(1)	(1)
			13015-K7C-000	PISTON (J2 S. 1.00) .....	(1)	(1)
		0	13016-K7C-000	PIN, PISTON .....	1	1
		0	13017-K7C-000	PISTON PIN CLIP .....	2	2
		54	13018-K7C-000	ROD, CONNECTING .....	1	1
		7	13019-K7C-000	COLLAR, CRANK SHAFT LEFT .....	1	1
		104	13020-K7C-000	PIN, CRANK .....	1	1
		0	13021-K7C-000	SPROCKET TIE ROD .....	1	1
		0	13022-K7C-000	GEAR OIL, PLAIN (100) .....	1	1

# Hero Honda Splendor Engine Diagram

**Michael Seilmaier**



**Hero Honda Splendor Engine Diagram:**

## **Hero Honda Splendor Engine Diagram** Book Review: Unveiling the Magic of Language

In a digital era where connections and knowledge reign supreme, the enchanting power of language has become more apparent than ever. Its power to stir emotions, provoke thought, and instigate transformation is really remarkable. This extraordinary book, aptly titled "**Hero Honda Splendor Engine Diagram**," published by a highly acclaimed author, immerses readers in a captivating exploration of the significance of language and its profound effect on our existence. Throughout this critique, we will delve into the book's central themes, evaluate its unique writing style, and assess its overall influence on its readership.

[https://py.bijouxmedusa.com/About/scholarship/default.aspx/for\\_small\\_business\\_86\\_967\\_nft\\_marketplace\\_tutorial\\_for\\_startups\\_86\\_1244.pdf](https://py.bijouxmedusa.com/About/scholarship/default.aspx/for_small_business_86_967_nft_marketplace_tutorial_for_startups_86_1244.pdf)

### **Table of Contents Hero Honda Splendor Engine Diagram**

1. Understanding the eBook Hero Honda Splendor Engine Diagram
  - The Rise of Digital Reading Hero Honda Splendor Engine Diagram
  - Advantages of eBooks Over Traditional Books
2. Identifying Hero Honda Splendor Engine Diagram
  - Exploring Different Genres
  - Considering Fiction vs. Non-Fiction
  - Determining Your Reading Goals
3. Choosing the Right eBook Platform
  - Popular eBook Platforms
  - Features to Look for in an Hero Honda Splendor Engine Diagram
  - User-Friendly Interface
4. Exploring eBook Recommendations from Hero Honda Splendor Engine Diagram
  - Personalized Recommendations
  - Hero Honda Splendor Engine Diagram User Reviews and Ratings
  - Hero Honda Splendor Engine Diagram and Bestseller Lists

5. Accessing Hero Honda Splendor Engine Diagram Free and Paid eBooks
  - Hero Honda Splendor Engine Diagram Public Domain eBooks
  - Hero Honda Splendor Engine Diagram eBook Subscription Services
  - Hero Honda Splendor Engine Diagram Budget-Friendly Options
6. Navigating Hero Honda Splendor Engine Diagram eBook Formats
  - ePub, PDF, MOBI, and More
  - Hero Honda Splendor Engine Diagram Compatibility with Devices
  - Hero Honda Splendor Engine Diagram Enhanced eBook Features
7. Enhancing Your Reading Experience
  - Adjustable Fonts and Text Sizes of Hero Honda Splendor Engine Diagram
  - Highlighting and Note-Taking Hero Honda Splendor Engine Diagram
  - Interactive Elements Hero Honda Splendor Engine Diagram
8. Staying Engaged with Hero Honda Splendor Engine Diagram
  - Joining Online Reading Communities
  - Participating in Virtual Book Clubs
  - Following Authors and Publishers Hero Honda Splendor Engine Diagram
9. Balancing eBooks and Physical Books Hero Honda Splendor Engine Diagram
  - Benefits of a Digital Library
  - Creating a Diverse Reading Collection Hero Honda Splendor Engine Diagram
10. Overcoming Reading Challenges
  - Dealing with Digital Eye Strain
  - Minimizing Distractions
  - Managing Screen Time
11. Cultivating a Reading Routine Hero Honda Splendor Engine Diagram
  - Setting Reading Goals Hero Honda Splendor Engine Diagram
  - Carving Out Dedicated Reading Time
12. Sourcing Reliable Information of Hero Honda Splendor Engine Diagram
  - Fact-Checking eBook Content of Hero Honda Splendor Engine Diagram
  - Distinguishing Credible Sources
13. Promoting Lifelong Learning

- Utilizing eBooks for Skill Development
  - Exploring Educational eBooks
14. Embracing eBook Trends
- Integration of Multimedia Elements
  - Interactive and Gamified eBooks

### **Hero Honda Splendor Engine Diagram Introduction**

In this digital age, the convenience of accessing information at our fingertips has become a necessity. Whether its research papers, eBooks, or user manuals, PDF files have become the preferred format for sharing and reading documents. However, the cost associated with purchasing PDF files can sometimes be a barrier for many individuals and organizations. Thankfully, there are numerous websites and platforms that allow users to download free PDF files legally. In this article, we will explore some of the best platforms to download free PDFs. One of the most popular platforms to download free PDF files is Project Gutenberg. This online library offers over 60,000 free eBooks that are in the public domain. From classic literature to historical documents, Project Gutenberg provides a wide range of PDF files that can be downloaded and enjoyed on various devices. The website is user-friendly and allows users to search for specific titles or browse through different categories. Another reliable platform for downloading Hero Honda Splendor Engine Diagram free PDF files is Open Library. With its vast collection of over 1 million eBooks, Open Library has something for every reader. The website offers a seamless experience by providing options to borrow or download PDF files. Users simply need to create a free account to access this treasure trove of knowledge. Open Library also allows users to contribute by uploading and sharing their own PDF files, making it a collaborative platform for book enthusiasts. For those interested in academic resources, there are websites dedicated to providing free PDFs of research papers and scientific articles. One such website is Academia.edu, which allows researchers and scholars to share their work with a global audience. Users can download PDF files of research papers, theses, and dissertations covering a wide range of subjects. Academia.edu also provides a platform for discussions and networking within the academic community. When it comes to downloading Hero Honda Splendor Engine Diagram free PDF files of magazines, brochures, and catalogs, Issuu is a popular choice. This digital publishing platform hosts a vast collection of publications from around the world. Users can search for specific titles or explore various categories and genres. Issuu offers a seamless reading experience with its user-friendly interface and allows users to download PDF files for offline reading. Apart from dedicated platforms, search engines also play a crucial role in finding free PDF files. Google, for instance, has an advanced search feature that allows users to filter results by file type. By specifying the file type as "PDF," users can find websites that offer free PDF downloads on a specific topic. While downloading Hero Honda Splendor Engine Diagram free PDF files is

convenient, its important to note that copyright laws must be respected. Always ensure that the PDF files you download are legally available for free. Many authors and publishers voluntarily provide free PDF versions of their work, but its essential to be cautious and verify the authenticity of the source before downloading Hero Honda Splendor Engine Diagram. In conclusion, the internet offers numerous platforms and websites that allow users to download free PDF files legally. Whether its classic literature, research papers, or magazines, there is something for everyone. The platforms mentioned in this article, such as Project Gutenberg, Open Library, Academia.edu, and Issuu, provide access to a vast collection of PDF files. However, users should always be cautious and verify the legality of the source before downloading Hero Honda Splendor Engine Diagram any PDF files. With these platforms, the world of PDF downloads is just a click away.

### **FAQs About Hero Honda Splendor Engine Diagram Books**

**What is a Hero Honda Splendor Engine Diagram PDF?** A PDF (Portable Document Format) is a file format developed by Adobe that preserves the layout and formatting of a document, regardless of the software, hardware, or operating system used to view or print it. **How do I create a Hero Honda Splendor Engine Diagram PDF?** There are several ways to create a PDF: Use software like Adobe Acrobat, Microsoft Word, or Google Docs, which often have built-in PDF creation tools. Print to PDF: Many applications and operating systems have a "Print to PDF" option that allows you to save a document as a PDF file instead of printing it on paper. Online converters: There are various online tools that can convert different file types to PDF. **How do I edit a Hero Honda Splendor Engine Diagram PDF?** Editing a PDF can be done with software like Adobe Acrobat, which allows direct editing of text, images, and other elements within the PDF. Some free tools, like PDFescape or Smallpdf, also offer basic editing capabilities. **How do I convert a Hero Honda Splendor Engine Diagram PDF to another file format?** There are multiple ways to convert a PDF to another format: Use online converters like Smallpdf, Zamzar, or Adobe Acrobats export feature to convert PDFs to formats like Word, Excel, JPEG, etc. Software like Adobe Acrobat, Microsoft Word, or other PDF editors may have options to export or save PDFs in different formats. **How do I password-protect a Hero Honda Splendor Engine Diagram PDF?** Most PDF editing software allows you to add password protection. In Adobe Acrobat, for instance, you can go to "File" -> "Properties" -> "Security" to set a password to restrict access or editing capabilities. Are there any free alternatives to Adobe Acrobat for working with PDFs? Yes, there are many free alternatives for working with PDFs, such as: LibreOffice: Offers PDF editing features. PDFsam: Allows splitting, merging, and editing PDFs. Foxit Reader: Provides basic PDF viewing and editing capabilities. How do I compress a PDF file? You can use online tools like Smallpdf, ILovePDF, or desktop software like Adobe Acrobat to compress PDF files without significant quality loss. Compression reduces the file size, making it easier to share and download. Can I fill out forms in a

PDF file? Yes, most PDF viewers/editors like Adobe Acrobat, Preview (on Mac), or various online tools allow you to fill out forms in PDF files by selecting text fields and entering information. Are there any restrictions when working with PDFs? Some PDFs might have restrictions set by their creator, such as password protection, editing restrictions, or print restrictions. Breaking these restrictions might require specific software or tools, which may or may not be legal depending on the circumstances and local laws.

### Find Hero Honda Splendor Engine Diagram :

for small business 86-967 NFT marketplace tutorial for startups 86-1244  
**86-1705 online business best practices for entrepreneurs 86-23 online**  
content marketing roadmap for small business 86-1604 content marketing  
**comparison America 86-268 side hustles comparison United States 86-1070**  
beginners for small business 86-2499 freelancing online guide America  
**86-1499 online business tutorial for startups 86-159 online privacy apps**  
lifestyle trends USA 86-125 minimalist lifestyle trends for small  
**ideas for startups 86-1711 wearable technology review for entrepreneurs**  
*creators 86-2421 TikTok marketing review USA 86-1038 TikTok marketing*  
*marketing ideas for startups 86-781 content marketing ideas for startups*  
**for creators 86-2869 chatbot development trends for small business**  
*step by step America 86-605 minimalist lifestyle tips USA 86-2646*  
**electric vehicles trends for entrepreneurs 86-1357 electric vehicles**  
*roadmap United States 86-647 coding for beginners roadmap for creators*  
**86-1174 remote jobs ideas for startups 86-2763 remote jobs review for**

### Hero Honda Splendor Engine Diagram :

**manual de resistencia de materiales g s pisarenko free** - Feb 25 2022  
web plata 1 6 10 8 por lo tanto las dos fórmulas importantes para la resistencia eléctrica son las siguientes  $r = \frac{\rho l}{a}$  donde  $r$  es la resistencia  $v$  es la tensión  $i$  es la corriente  $\rho$  es la resistividad  $l$  es la longitud y  $a$  es el  
**resistencia eléctrica qué es definición y formula** - Nov 24 2021  
web jan 30 2019 descargar manual de resistencia pedro sanchez perez castejon gratis epub pdf e mobi manual de

resistencia pedro sanchez perez castejon nota 4 22 de 5 descargar epub 978 kb debes crear una cuenta gratuita para descargar el ebook

*calaméo manual de resistencias* - Oct 24 2021

web resistencia eléctrica símbolo de la resistencia eléctrica en un circuito se le denomina resistencia eléctrica a la igualdad de oposición que tienen los electrones al moverse a través

**resistencia eléctrica wikipedia la enciclopedia libre** - Aug 02 2022

web feb 19 2019 ese recorrido vital lo narra el autor en este libro verdadero manual de resistencia como parte de un proceso personal de resiliencia que no se entendería sin la fortaleza de sus convicciones ha sido un cuatrienio de aceleración en la política donde todo se ha vuelto imprevisible

manual de resistencia pdf epub db libros - Mar 29 2022

web ese recorrido vital lo narra el autor en este libro verdadero manual de resistencia como parte de un proceso personal de resiliencia que no se entendería sin la fortaleza de sus convicciones ha sido un cuatrienio de aceleración en la

**manual de resistencia 2 lo que rubiales aprendió de pedro** - Jan 27 2022

web la variación del valor resistivo en algunos casos se puede hacer manualmente y en otros lo será por la acción de una magnitud física como la temperatura tensión luminosidad etc agrupando por las características mencionadas encontramos tres principales tipos de resistencias resistencias fijas

manual de resistencia la ideología de pedro sánchez el país - Jan 07 2023

web manual de resistencia sánchez perez castejón pedro nunca una moción de censura ha triunfado en españa es imposible ganarle unas primarias al aparato de un partido aquí nadie dimite para ser fiel a su palabra uno tras otro los lugares comunes de nuestra vida política han sido

*manual de resistencia sánchez pedro 9788499427959* - May 11 2023

web ese recorrido vital lo narra el autor en este libro verdadero manual de resistencia como parte de un proceso personal de resiliencia que no se entendería sin la fortaleza de sus convicciones ha sido un cuatrienio de aceleración en la

mianmar o jogo de celular que atrai dinheiro e apoio para a - Jun 19 2021

**manual de resistencia elibro online** - Aug 22 2021

**manual de resistencia librerías marcial pons** - Oct 04 2022

web en cuestión de meses ha situado a nuestro país en primera línea de la defensa de valores y políticas progresistas la justicia el europeísmo el feminismo y el ecologismo ese recorrido vital lo narra el autor en este libro verdadero manual de

resistencia como parte de un proceso personal de resiliencia que no se entendería sin la *manual de resistencia pedro sánchez google books* - Dec 06 2022

web manual de resistencia es el libro que da nombre a la biografía de pedro sánchez presidente del gobierno de españa y secretario general del partido socialista obrero español publicado el 19 de febrero de 2019 relata la trayectoria de sánchez desde que asume el liderazgo del psoe en 2014 hasta su llegada a la presidencia del gobierno [manual de resistencia huellas 1 península tapa dura](#) - Apr 10 2023

web feb 21 2019 la verdadera idea y fuerza de manual de resistencia es la vinculación indisoluble de los conceptos socialdemocracia y europa europa se fortalece con la socialdemocracia y se debilita **manual de resistencia pedro sanchez 2019 pdf y** - Jun 12 2023

web ese recorrido vital lo narra el autor en este libro verdadero manual de resistencia como parte de un proceso personal de resiliencia que no se entendería sin la fortaleza de sus convicciones ha sido un cuatrienio de aceleración en la política donde todo se ha vuelto imprevisible

**manual de resistencia wikipedia la** - Aug 14 2023

web feb 19 2019 ese recorrido vital lo narra el autor en este libro verdadero manual de resistencia como parte de un proceso personal de resiliencia que no se entendería sin la fortaleza de sus convicciones ha sido un cuatrienio de aceleración en la política donde todo se ha vuelto imprevisible

[manual de resistencia pedro sánchez p rez castej n](#) - Nov 05 2022

web s mbolos de la resistencia el ctrica en un circuito en electricidad se le denomina resistencia a la oposici n al flujo de corriente el ctrica a trav s de un conductor 1 2 la unidad de resistencia en el sistema internacional es el ohmio que se representa con la letra griega  $\Omega$  en honor al f sico alem n georg simon ohm quien descubri  el

**manual de resistencia epub 7ij2sor6hoe0 e book library** - Dec 26 2021

web para aprender a calcular el valor de una resistencia visita el siguiente enlace c digo de colores de resistencias el valor real de una resistencia lo podemos averiguar mediante el pol metro aparato de medidas el ctricas incluida el valor de la resistencia el ctrica tambi n con el fluke usado por la mayor a de los electricistas

*pdf manual de resistencia by pedro s nchez ebook perlego* - Mar 09 2023

web feb 19 2019 ese recorrido vital lo narra el autor en este libro verdadero manual de resistencia como parte de un proceso personal de resiliencia que no se entender a sin la fortaleza de sus convicciones ha sido un cuatrienio de aceleraci n en la pol tica donde todo se ha vuelto imprevisible

[manual de resistencia pedro s nchez planetadelibros](#) - Jul 13 2023

web ese recorrido vital lo narra el autor en este libro verdadero manual de resistencia como parte de un proceso personal de

resiliencia que no se entendería sin la fortaleza de sus convicciones ha sido un cuatrienio de aceleración en la política donde todo se ha vuelto imprevisible

[manual de resistencia by pedro sánchez overdrive](#) - Apr 29 2022

web sep 2 2023 manual de resistencia 2 lo que rubiales aprendió de pedro sánchez quien quiera su cabeza se la va a tener que arrancar de cuajo porque va a agotar todas las posibilidades que tenga de regresar de la isla de elba como hizo con éxito una y mil veces el presidente del gobierno en funciones siga en directo la última hora del caso

**manual de resistencia wikiwand** - Sep 03 2022

web feb 19 2019 manual de resistencia by pedro sánchez feb 19 2019 ediciones península edition hardcover

**manual de resistencia by pedro sánchez open library** - May 31 2022

web por el ingeniero b a mirchevski primera edición 1979 primera reimpresión 1985 un libro sobre diversas propiedades de los materiales y sus formas geométricas créditos al cargador original addeddate 2022 09 27 16 43 21 identifier pisarenko yakovlev matveev manual de resistencia de materiales mir 1979

[descargar libro manual de resistencia pdf epub somos](#) - Jul 01 2022

web libro manual de resistencia 2019 libro manual de resistencia jamás una propuesta de censura ha triunfado en España no es posible ganar unas primarias al ingenio del partido aquí no hay quién renuncie a ser fiel a la palabra uno a uno los sectores habituales de nuestro mundo político han terminado derrumbados por el hombre pablo

[resistencia electrica qué es tipos formulas código colores](#) - Sep 22 2021

web sep 8 2023 quando soldados de mianmar prenderam o amigo do programador ko toot e a esposa grávida após o golpe de fevereiro de 2021 ele ficou tão furioso que decidiu fazer a sua parte para tentar tirar

[resistenciaeléctrica acomee](#) - Jul 21 2021

*manual de resistencia pedro sanchez perez* - Feb 08 2023

web resumen y sinopsis de manual de resistencia de pedro sánchez perez castejón por primera vez en la historia de la democracia española un presidente publica un libro durante su mandato solo medio año después de haber accedido al cargo nunca una moción de censura ha triunfado en España es imposible ganarle unas primarias al

**haut les maths ce1 fichier de l élève en 2 volumes** - Mar 19 2022

[exercices de maths en ce1 à imprimer en pdf ou](#) - Aug 04 2023

web fin de l'exercice de maths mathématiques heure et durées ce1 ce2 cours 12 04 2009 16 26 un exercice de maths gratuit pour apprendre les maths 4 cp ce1

*ce1 mathématiques fichier de calcul mental* - May 01 2023

web pour répondre à votre souhait de rendre le fichier élève j apprends les maths ce1 plus léger et plus maniable pour vos élèves nous vous le proposons désormais aussi dans

**calcul mental ce1 fichiers à imprimer bien enseigner** - Jul 23 2022

web calcul ce1 07 décembre 2022 ajouter ou enlever un petit nombre passer la dizaine après avoir revu les additions et soustractions de petits nombres sans passage de la dizaine il

**mathématique ce1** - Jul 03 2023

web fin de l'exercice de maths mathématiques cp ce1 le nombre 20 cours 27 04 2009 08 48 un exercice de maths gratuit pour apprendre les maths 2 cp ce1 les

**calcul ce1 lutin bazar** - Feb 15 2022

**leçons maths ce1 lutin bazar** - Dec 16 2021

**fiches de mathématiques pour le ce1 nombres et calcul** - Jan 17 2022

**fichier calcul ce2 et ce1 la salle des maitres** - Nov 14 2021

*fiches de calcul niveau ce1 logicieleducatif* - Jun 21 2022

web 28 ressources en liste en images escape game de saint valentin ce1 l'escape game a ceci d'intéressant qu'il permet de faire travailler un certain nombre de compétences dans

**mathématiques fiches imprimables** - Jun 02 2023

web ateliers d'écriture et production d'écrits fichiers de mathématiques ceintures de calcul posé fichier de numération fichier de calculs fichier de géométrie fichier de

*archives des fichier de calculs l'école de crevette* - Dec 28 2022

web nov 22 2022 calcul mental ce1 à imprimer en pdf vous trouverez ci dessous une liste des fichiers de calcul mental en pdf pour les élèves de ce1 1 calcul mental ce1

*chaque jour compte maths ce1 ed 2023 fichier de l'élève* - Apr 19 2022

web fichier de 46 exercices de calcul balayant tout le programme de ce2 et 46 pages de correction facilitant la correction de l'enseignant e ou permettant une auto correction

**fichier de mathématiques ce1 trousse de billes free** - Sep 05 2023

web ce1 fichier d Étude de la langue lettres et sons grammaire conjugaison vocabulaire leçons d Étude de la langue fichier de mathématiques numération calcul espace

[une année de maths sans fichier en ce1 caracolus](#) - May 21 2022

web nov 24 2010 voilà toutes mes leçons de mathématiques pour le ce1 les fichiers ci dessous contiennent les leçons et les exercices de manière à pouvoir imprimer en mode

*exercices numération et calcul ce1 bout de gomme* - Aug 24 2022

web ce1 découvrez deux fichiers joyeux et faciles à prendre en main nombres et calculs et espace et géométrie grandeurs et mesures qui donnent envie d apprendre et

**séquences maths ce1 cartable d une maitresse** - Sep 24 2022

web mar 8 2023 le fichier mathématiques ce1 chaque jour compte une méthode fondée sur la ritualisation des apprentissages qui intègre la résolution de problèmes et la

**j apprends les maths ce1 fichier en 2 volumes éditions retz** - Nov 26 2022

web tableau de calcul des additions en colonnes à 3 chiffres affiche 5 fiches additions en colonnes à 3 chiffres sans retenue additions à 3 chiffres à poser sans retenue additions

**calcul ce1 bout de gomme** - Oct 06 2023

web 31 voici donc 2 fichiers numération sur les nombres de 0 à 999 par centaine il existait déjà pour les nombres de 0 à 999 maintenant vous les trouverez en plusieurs parties si

**fichier de numération ce1 ce2 l ecole de crevette** - Jan 29 2023

web sep 5 2016 exercices numération et calcul ce1 le 9 octobre voici la suite des fiches de maths 5 à 8 je posterai la suite prochainement je vous poste donc des fiches en

*fichier de mathematiques ce1 a l encre violette* - Oct 26 2022

web jun 8 2016 les 1000 premiers nombres tardivement dans l année par rapport à la plupart des fichiers et en favorisant les 3 points qu il préconise proposer des situations

*fichiers maths nombres et calculs pour l année ce1* - Mar 31 2023

web a l encre violette fichier de mathematiques ce1 dimanche 15 octobre 2017 fichier de mathematiques ce1 ayant des ce1 cette année j ai décidé comme pour mes

*calcul pour ce1 mathematiquesfaciles com* - Feb 27 2023

web je vous présente rarement des fiches de maths ici c est parce que j utilise un fichier en ce1 et un manuel en ce2 pour comprendre les mathématiques dans les deux cas

**how to make a lesson plan simple steps tips templates wikipediawikihow** - Aug 13 2023

web sep 29 2023 sample lesson plans constructing a lesson plan adjusting your lesson plans efficiently presenting the lesson video expert q a tips as a teacher developing a thoughtful lesson plan is an essential part of your job

**lesson plan example and template plus types and key parts** - Mar 08 2023

web jul 11 2023 lesson plan example here s a sample lesson plan to help you write your own grade level and subject grade seven english language arts type of lesson daily lesson duration one 50 minute class period topic reviewing counterclaims in an essay objective teacher reviews all parts of a counterclaim

how to build a great lesson plan with a template resource - Feb 07 2023

web oct 30 2019 sample lesson plan template you can find many teacher lesson plan templates online you could even ask your colleagues to share their format the lesson plan template included here is easy to use and you can adapt it to your own needs claim your free lesson plan template

**lesson plan example for new teachers scholastic** - May 10 2023

web scholastic offers a sample lesson plan for new teachers including articles resources books and ideas to teach an engaging unit on mythology congratulations you re a new teacher about to begin an incredible journey educating young minds

**29 lesson plan templates for teachers online instructors** - Jun 11 2023

web mar 16 2022 29 lesson plan templates for teachers online instructors create content types presentations keep your audience engaged documents formalize your branding videos add movement to your brand infographics share information visually printables create content for printing charts and graphs bring life to your data

**lesson plans for teachers teacher org** - Apr 09 2023

web teacher org s lesson plans are brought to you by teachers who are committed to encouraging conceptual understanding and lifelong learning these teachers have real life classroom experience and have gone above and beyond to

*lesson plan examples and templates for any subject adobe* - Jan 06 2023

web maybe a speaker can be brought in or you could do a hands on project we have many creative examples of lesson plans on the adobe education exchange that are free and easy to use immediately in any class 5 evaluate student knowledge remember to end each lesson with a formative assessment

lesson planning centre for teaching excellence - Jul 12 2023

web how can i engage students in the topic what are some relevant real life examples analogies or situations that can help students understand the topic what will students need to do to help them understand the topic better many activities can be used to

30 lesson plan examples for every grade and subject - Sep 14 2023

web aug 3 2023 whether you re a brand new teacher or an experienced educator looking for some new ideas these lesson plan examples offer inspiration for every subject and every grade level lesson plan sections preschool lesson plan examples elementary school lesson plan examples middle and high school lesson plan examples

**27 easy to edit lesson plan examples writing tips venngage** - Oct 15 2023

web may 29 2023 blog education 27 easy to edit lesson plan examples writing tips by alice corner may 29 2023 lesson plans are the best way to deliver an effective and engaging lesson lesson plans also help keep you on track to ensure that your learners hit their goals and targets in line with your course curriculum