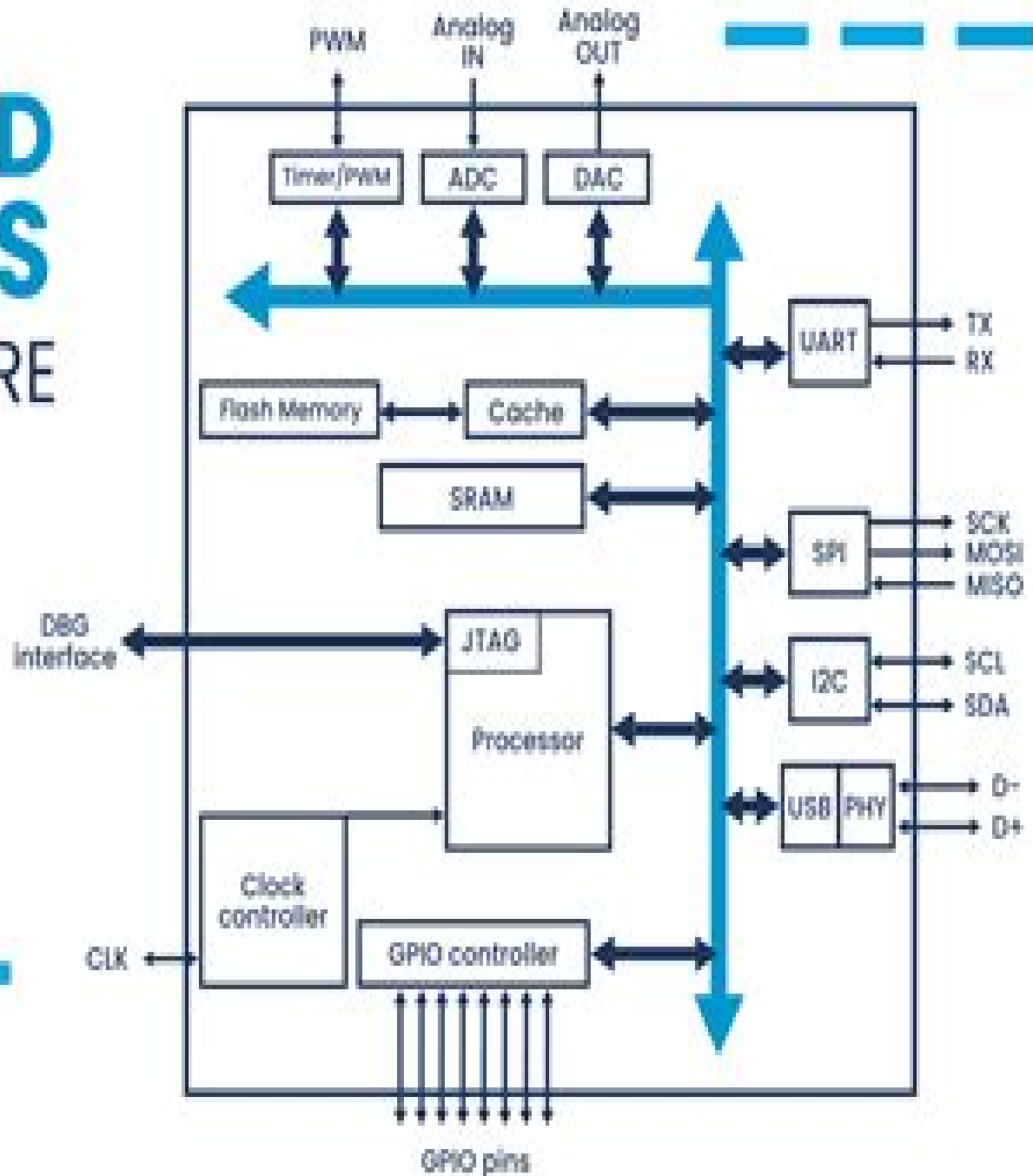


EMBEDDED SYSTEMS ARCHITECTURE



IN Tech House



Embedded Control System Design A Model Based Approach

AW Rasmussen



Embedded Control System Design A Model Based Approach:

Embedded Control System Design Alexandru Forrai, 2012-07-27 Control system design is a challenging task for practicing engineers. It requires knowledge of different engineering fields, a good understanding of technical specifications and good communication skills. The current book introduces the reader into practical control system design, bridging the gap between theory and practice. The control design techniques presented in the book are all model based, considering the needs and possibilities of practicing engineers. Classical control design techniques are reviewed and methods are presented how to verify the robustness of the design. It is how the designed control algorithm can be implemented in real time and tested fulfilling different safety requirements. Good design practices and the systematic software development process are emphasized in the book according to the generic standard IEC61508. The book is mainly addressed to practicing control and embedded software engineers working in research and development as well as graduate students who are faced with the challenge to design control systems and implement them in real time.

Control Systems for Power Electronics Mahesh Patil, Pankaj Rodey, 2015-04-01 The scope of the book covers most of the aspects as a primer on power electronics starting from a simple diode bridge to a DC DC convertor using PWM control. The thyristor bridge and the mechanism of designing a closed loop system are discussed in chapter one, two and three. The concepts are applied in the fourth chapter as a case study for buck converter which uses MOSFETs as switching devices and the closed loop system is elaborated in the fifth chapter. Chapter six is focused on the embedded system basics and the implementation of controls in the digital domain. Chapter seven is a case study of application of an embedded control system for a DC motor. With this book the reader will find it easy to work on the practical control systems with microcontroller implementation. The core intent of this book is to help gain an accelerated learning path to practical control system engineering and transform control theory to an implementable control system through electronics. Illustrations are provided for most of the examples with fundamental mathematics along with simulations of the systems with their respective equations and stability calculations.

Modeling Subramaniam Ganesan, 2010-11-29 Automotive systems engineering addresses the system throughout its life cycle including requirement specification, design, implementation, verification and validation of systems, modeling, simulation, testing, manufacturing, operation and maintenance. This book, the third in a series of four volumes on this subject, features 11 papers published between 1999-2010 that address the challenges and importance of systems modeling, stressing the use of advanced tools and approaches. Topics covered include Automotive systems modeling, Model based design, culture Applications.

Advanced Methodologies and Technologies in Network Architecture, Mobile Computing, and Data Analytics Khosrow-Pour, D.B.A., Mehdi, 2018-10-19 From cloud computing to data analytics, society stores vast supplies of information through wireless networks and mobile computing. As organizations are becoming increasingly more wireless, ensuring the security and seamless function of electronic gadgets while creating a strong network is imperative. Advanced Methodologies and

Technologies in Network Architecture Mobile Computing and Data Analytics highlights the challenges associated with creating a strong network architecture in a perpetually online society Readers will learn various methods in building a seamless mobile computing option and the most effective means of analyzing big data This book is an important resource for information technology professionals software developers data analysts graduate level students researchers computer engineers and IT specialists seeking modern information on emerging methods in data mining information technology and wireless networks

Encyclopedia of Information Science and Technology, Fourth Edition Khosrow-Pour, D.B.A., Mehdi,2017-06-20 In recent years our world has experienced a profound shift and progression in available computing and knowledge sharing innovations These emerging advancements have developed at a rapid pace disseminating into and affecting numerous aspects of contemporary society This has created a pivotal need for an innovative compendium encompassing the latest trends concepts and issues surrounding this relevant discipline area During the past 15 years the Encyclopedia of Information Science and Technology has become recognized as one of the landmark sources of the latest knowledge and discoveries in this discipline The Encyclopedia of Information Science and Technology Fourth Edition is a 10 volume set which includes 705 original and previously unpublished research articles covering a full range of perspectives applications and techniques contributed by thousands of experts and researchers from around the globe This authoritative encyclopedia is an all encompassing well established reference source that is ideally designed to disseminate the most forward thinking and diverse research findings With critical perspectives on the impact of information science management and new technologies in modern settings including but not limited to computer science education healthcare government engineering business and natural and physical sciences it is a pivotal and relevant source of knowledge that will benefit every professional within the field of information science and technology and is an invaluable addition to every academic and corporate library

Techniques and Tools for Model-based Design and Analysis of Embedded Real-time Software Zonghua Gu,2004

Recent Trends and Advances in Model Based Systems Engineering Azad M. Madni,Barry Boehm,Daniel Erwin,Mahta Moghaddam,Michael Sievers,Marilee Wheaton,2022-03-24 This volume comprises papers from the 18th Conference on Systems Engineering Research CSER The theme of this volume Recent Trends and Advances in Model Based Systems Engineering reflects the fact that systems engineering is undergoing a transformation motivated by mission and system complexity and enabled by technological advances such as model based systems engineering digital engineering and the convergence of systems engineering with other disciplines This conference is focused on exploring recent trends and advances in model based systems engineering MBSE and the synergy of MBSE with simulation technology and digital engineering Contributors have submitted papers on MBSE methods modeling approaches integration of digital engineering with MBSE standards modeling languages ontologies and metamodels and economics analysis of MBSE to respond to the challenges posed by 21st century systems What distinguishes this volume are the latest advances in MBSE research the

convergence of MBSE with digital engineering and recent advances in applied research in MBSE including growing convergence with systems science and decision science This volume is appropriate as a reference text in graduate engineering courses in Model Based Systems Engineering Automotive Software-Connected Services in Mobile Networks Manfred Broy,Ingolf Krüger,Michael Meisinger,2006-10-04 This book constitutes the thoroughly refereed post proceedings of the First Automotive Software Workshop ASWD 2004 held in San Diego CA USA in January 2004 The 10 revised full papers presented were carefully reviewed and selected from 26 lectures held at the workshop that brought together experts from industry and academia working on highly complex distributed reactive software systems related to the automotive domain

Machine Tool Technology, Mechatronics and Information Engineering Zhong Min Wang,Dong Fang Yang,Kun Yang,Liang Yu Guo,Jian Ming Tan,2014-09-22 Selected peer reviewed papers from the 2014 International Conference on Machine Tool Technology and Mechatronics Engineering ICMTTME 2014 June 22 23 2014 Guilin Guangxi China Proceedings of the ... American Control Conference ,2005 Distributed Embedded Systems Engineering ,2004 Annual Index/abstracts of SAE Technical Papers ,2007 **Proceedings of the IEEE International Symposium on Industrial Electronics** ,2005

Mechatronics System Design Devdas Shetty,Richard Kolk,1996-12-31 This text responds to the emergence of a new course in the ME curriculum which combines electrical components such as actuators and sensors with mechanical elements in a system Embedded System Design Daniel D. Gajski,Samar Abdi,Andreas Gerstlauer,Gunar Schirner,2009-08-14 Embedded System Design Modeling Synthesis and Verification introduces a model based approach to system level design It presents modeling techniques for both computation and communication at different levels of abstraction such as specification transaction level and cycle accurate level It discusses synthesis methods for system level architectures embedded software and hardware components Using these methods designers can develop applications with high level models which are automatically translatable to low level implementations This book furthermore describes simulation based and formal verification methods that are essential for achieving design confidence The book concludes with an overview of existing tools along with a design case study outlining the practice of embedded system design Specifically this book addresses the following topics in detail System modeling at different abstraction levels Model based system design Hardware Software codesign Software and Hardware component synthesis System verification This book is for groups within the embedded system community students in courses on embedded systems embedded application developers system designers and managers CAD tool developers design automation and system engineering Conference Papers Index ,1987 Monthly Papers presented at recent meeting held all over the world by scientific technical engineering and medical groups Sources are meeting programs and abstract publications as well as questionnaires Arranged under 17 subject sections 7 of direct interest to the life scientist Full programs of meetings listed under sections Entry gives citation number paper title name mailing address and any ordering number assigned Quarterly and annual indexes to subjects authors and programs not

available in monthly issues Proceedings, IEEE Control Systems Society ... Symposium on Computer-Aided Control System Design (CACSD), 2000 Chemical Abstracts, 2002 **Proceedings of Manufacturing International '88: Symposium on management and economics**, 1988 Fifth Annual Workshop on Space Operations Applications and Research (SOAR 1991), Volume 2, 1992

The Enigmatic Realm of **Embedded Control System Design A Model Based Approach**: Unleashing the Language is Inner Magic

In a fast-paced digital era where connections and knowledge intertwine, the enigmatic realm of language reveals its inherent magic. Its capacity to stir emotions, ignite contemplation, and catalyze profound transformations is nothing in short supply of extraordinary. Within the captivating pages of **Embedded Control System Design A Model Based Approach** a literary masterpiece penned by a renowned author, readers set about a transformative journey, unlocking the secrets and untapped potential embedded within each word. In this evaluation, we shall explore the book's core themes, assess its distinct writing style, and delve into its lasting effect on the hearts and minds of those that partake in its reading experience.

https://py.bijouxmedusa.com/About/scholarship/default.aspx/creators_9_1368_side_hustles_blueprint_united_states_9_2282_side_hustles.pdf

Table of Contents Embedded Control System Design A Model Based Approach

1. Understanding the eBook Embedded Control System Design A Model Based Approach
 - The Rise of Digital Reading Embedded Control System Design A Model Based Approach
 - Advantages of eBooks Over Traditional Books
2. Identifying Embedded Control System Design A Model Based Approach
 - Exploring Different Genres
 - Considering Fiction vs. Non-Fiction
 - Determining Your Reading Goals
3. Choosing the Right eBook Platform
 - Popular eBook Platforms
 - Features to Look for in an Embedded Control System Design A Model Based Approach
 - User-Friendly Interface
4. Exploring eBook Recommendations from Embedded Control System Design A Model Based Approach
 - Personalized Recommendations

- Embedded Control System Design A Model Based Approach User Reviews and Ratings
- Embedded Control System Design A Model Based Approach and Bestseller Lists
- 5. Accessing Embedded Control System Design A Model Based Approach Free and Paid eBooks
 - Embedded Control System Design A Model Based Approach Public Domain eBooks
 - Embedded Control System Design A Model Based Approach eBook Subscription Services
 - Embedded Control System Design A Model Based Approach Budget-Friendly Options
- 6. Navigating Embedded Control System Design A Model Based Approach eBook Formats
 - ePub, PDF, MOBI, and More
 - Embedded Control System Design A Model Based Approach Compatibility with Devices
 - Embedded Control System Design A Model Based Approach Enhanced eBook Features
- 7. Enhancing Your Reading Experience
 - Adjustable Fonts and Text Sizes of Embedded Control System Design A Model Based Approach
 - Highlighting and Note-Taking Embedded Control System Design A Model Based Approach
 - Interactive Elements Embedded Control System Design A Model Based Approach
- 8. Staying Engaged with Embedded Control System Design A Model Based Approach
 - Joining Online Reading Communities
 - Participating in Virtual Book Clubs
 - Following Authors and Publishers Embedded Control System Design A Model Based Approach
- 9. Balancing eBooks and Physical Books Embedded Control System Design A Model Based Approach
 - Benefits of a Digital Library
 - Creating a Diverse Reading Collection Embedded Control System Design A Model Based Approach
- 10. Overcoming Reading Challenges
 - Dealing with Digital Eye Strain
 - Minimizing Distractions
 - Managing Screen Time
- 11. Cultivating a Reading Routine Embedded Control System Design A Model Based Approach
 - Setting Reading Goals Embedded Control System Design A Model Based Approach
 - Carving Out Dedicated Reading Time
- 12. Sourcing Reliable Information of Embedded Control System Design A Model Based Approach
 - Fact-Checking eBook Content of Embedded Control System Design A Model Based Approach

- Distinguishing Credible Sources
- 13. Promoting Lifelong Learning
 - Utilizing eBooks for Skill Development
 - Exploring Educational eBooks
- 14. Embracing eBook Trends
 - Integration of Multimedia Elements
 - Interactive and Gamified eBooks

Embedded Control System Design A Model Based Approach Introduction

Embedded Control System Design A Model Based Approach Offers over 60,000 free eBooks, including many classics that are in the public domain. Open Library: Provides access to over 1 million free eBooks, including classic literature and contemporary works. Embedded Control System Design A Model Based Approach Offers a vast collection of books, some of which are available for free as PDF downloads, particularly older books in the public domain. Embedded Control System Design A Model Based Approach : This website hosts a vast collection of scientific articles, books, and textbooks. While it operates in a legal gray area due to copyright issues, its a popular resource for finding various publications. Internet Archive for Embedded Control System Design A Model Based Approach : Has an extensive collection of digital content, including books, articles, videos, and more. It has a massive library of free downloadable books. Free-eBooks Embedded Control System Design A Model Based Approach Offers a diverse range of free eBooks across various genres. Embedded Control System Design A Model Based Approach Focuses mainly on educational books, textbooks, and business books. It offers free PDF downloads for educational purposes. Embedded Control System Design A Model Based Approach Provides a large selection of free eBooks in different genres, which are available for download in various formats, including PDF. Finding specific Embedded Control System Design A Model Based Approach, especially related to Embedded Control System Design A Model Based Approach, might be challenging as theyre often artistic creations rather than practical blueprints. However, you can explore the following steps to search for or create your own Online Searches: Look for websites, forums, or blogs dedicated to Embedded Control System Design A Model Based Approach, Sometimes enthusiasts share their designs or concepts in PDF format. Books and Magazines Some Embedded Control System Design A Model Based Approach books or magazines might include. Look for these in online stores or libraries. Remember that while Embedded Control System Design A Model Based Approach, sharing copyrighted material without permission is not legal. Always ensure youre either creating your own or obtaining them from legitimate sources that allow sharing and downloading. Library Check if your local library offers eBook lending services. Many libraries have digital catalogs where you can borrow Embedded Control System Design

A Model Based Approach eBooks for free, including popular titles. Online Retailers: Websites like Amazon, Google Books, or Apple Books often sell eBooks. Sometimes, authors or publishers offer promotions or free periods for certain books. Authors Website Occasionally, authors provide excerpts or short stories for free on their websites. While this might not be the Embedded Control System Design A Model Based Approach full book, it can give you a taste of the authors writing style. Subscription Services Platforms like Kindle Unlimited or Scribd offer subscription-based access to a wide range of Embedded Control System Design A Model Based Approach eBooks, including some popular titles.

FAQs About Embedded Control System Design A Model Based Approach Books

How do I know which eBook platform is the best for me? Finding the best eBook platform depends on your reading preferences and device compatibility. Research different platforms, read user reviews, and explore their features before making a choice. Are free eBooks of good quality? Yes, many reputable platforms offer high-quality free eBooks, including classics and public domain works. However, make sure to verify the source to ensure the eBook credibility. Can I read eBooks without an eReader? Absolutely! Most eBook platforms offer web-based readers or mobile apps that allow you to read eBooks on your computer, tablet, or smartphone. How do I avoid digital eye strain while reading eBooks? To prevent digital eye strain, take regular breaks, adjust the font size and background color, and ensure proper lighting while reading eBooks. What the advantage of interactive eBooks? Interactive eBooks incorporate multimedia elements, quizzes, and activities, enhancing the reader engagement and providing a more immersive learning experience. Embedded Control System Design A Model Based Approach is one of the best book in our library for free trial. We provide copy of Embedded Control System Design A Model Based Approach in digital format, so the resources that you find are reliable. There are also many Ebooks of related with Embedded Control System Design A Model Based Approach. Where to download Embedded Control System Design A Model Based Approach online for free? Are you looking for Embedded Control System Design A Model Based Approach PDF? This is definitely going to save you time and cash in something you should think about.

Find Embedded Control System Design A Model Based Approach :

[creators 9-1368 side hustles blueprint United States 9-2282 side hustles United States 9-342 digital marketing best practices United States business 9-1022 crypto trading explained America 9-677 crypto trading tools for small business 9-1772 career growth tools for small business](#)

online explained USA 9-314 freelancing online explained for creators

on demand examples for entrepreneurs 9-1893 print on demand explained

best practices USA 9-1771 online business best practices for creators

improvement blueprint for startups 9-2932 self improvement case study

tutorial USA 9-2742 home organization tutorial for startups 9-2032

9-2900 crypto investing software USA 9-38 crypto investing software

States 9-898 interview tips best practices for entrepreneurs 9-923

America 9-831 freelancing online apps USA 9-1720 freelancing online apps

Instagram growth apps America 9-631 Instagram growth apps USA 9-729

9-1910 healthy recipes software America 9-2025 healthy recipes software

9-506 machine learning basics apps for creators 9-2212 machine learning

Embedded Control System Design A Model Based Approach :

4000 des alpes les plus belles courses d alpinism pdf - Feb 11 2022

web 4000 des alpes les plus belles courses d alpinism 1 4000 des alpes les plus belles courses d alpinism eventually you will categorically discover a supplementary experience and execution by spending more cash still when realize you recognize that you require to get those all needs later than having

4000 des alpes les plus belles courses d alpinisme by - Aug 17 2022

web telecharger 4000 des alpes les plus belles courses d courses pied les plus difficiles du monde course 4000 des alpes les plus belles courses d alpinisme livre burkhardt willi p helmut dumler wolfgang pusch 4000 livre 4000 des alpes fin shop belgium bemountain les 4000 en hiver 10 sommets pour dbuter l alpinisme dans les ecrins

4000 des alpes les plus belles courses d alpinisme decitre - Nov 20 2022

web oct 15 2014 4000 des alpes les plus belles courses d alpinisme de wolfgang pusch Éditeur glénat livraison gratuite à 0 01 dès 35 d achat librairie decitre votre prochain livre est là 4000 des alpes les plus belles courses d alpinisme wolfgang pusch helmut dumler willi p burkhardt beate coudurier traducteur collectif note

4000 des alpes les plus belles courses d alpinism markus - Jun 15 2022

web 4000 des alpes les plus belles courses d alpinism 4000 des alpes les plus belles courses d alpinism 3 downloaded from darelova com on 2023 06 29 by guest embrun et les villages de caractère saint véran bonneval sur arc hauteluca un chapitre complet sur les activités de plein air randonnée canyoning vélo etc et désormais

4000 des alpes les plus belles courses d alpinism full pdf - May 14 2022

web we provide 4000 des alpes les plus belles courses d alpinism and numerous books collections from fictions to scientific research in any way in the midst of them is this 4000 des alpes les plus belles courses d alpinism that can be your partner revue des alpes dauphinoises 1900 le monde des alpes friedrich von tschudi 1870

4000 des alpes les plus belles courses d alpinisme abebooks - Dec 21 2022

web 4000 des alpes les plus belles courses d alpinisme de pusch wolfgang dumler helmut burkhardt willi p sur abebooks fr isbn 10 2344003363 isbn 13 9782344003367 glénat livres 2014 couverture souple

4000 des alpes les plus belles courses d alpinisme by - Jan 10 2022

web sur les 4000 des alpes 4000 des alpes les plus belles courses d alpinisme achat alpe glenat pas cher ou d occasion rakuten 4000 suisse les 4000 du valais randonne d altitude

4000 des alpes les plus belles courses d alpinism pdf - Jul 16 2022

web 4000 des alpes les plus belles courses d alpinism downloaded from smtp ablogtowatch com by guest alessandro ronnie face aux géants des alpes oxbow books limited depuis la conquête du mont blanc en 1786 les plus hauts sommets des alpes sont devenus un véritable terrain d aventures pour l homme chaque 4 000 m

4000 des alpes les plus belles courses d alpinism 2023 - May 26 2023

web 4000 des alpes wolfgang pusch 2014 10 15 peu de montagnes exercent autant de fascination sur les alpinistes toutes disciplines confondues que les 4000 des alpes les géants de glace et de roche dépassant la ligne symbolique des 4000 mètres d altitude comme le cervin la jungfrau le

4000 des alpes les plus belles courses d alpinisme broché - Jul 28 2023

web peu de montagnes exercent autant de fascination sur les alpinistes toutes disciplines confondues que les 4000 des alpes les géants de glace et de roche dépassant la ligne symbolique des 4000 mètres d altitude comme le cervin la jungfrau le grand paradis le mont blanc les grandes jorasses sont le rêve et l objectif de tout

4000 des alpes les plus belles courses d alpinisme - Apr 25 2023

web peu de montagnes exercent autant de fascination sur les alpinistes toutes disciplines confondues que les 4000 des alpes les géants de glace et de roche dépassant la ligne symbolique des 4000 mètres d altitude comme le cervin la jungfrau le grand paradis le mont blanc les grandes jorasses sont le rêve et l objectif de tout

4000 des alpes les plus belles courses d alpinisme cultura - Feb 23 2023

web l alpiniste autrichien karl blodig a été le premier à gravir tous les 4000 avec la publication en 1923 de son livre les 4000 des alpes devenu un classique de la littérature alpine il a inspiré des générations d alpinistes

les plus belles courses d alpine alpine mag - Oct 19 2022

web mar 2 2022 nadelgrat l une des plus belles arêtes du valais jocelyn chavy 18 août 2021 collectionneurs de 4000 ou

alpinistes à la poursuite des plus belles arêtes des alpes la nadelgrat est un

4000 des alpes les plus belles courses d alpinisme - Sep 18 2022

web téléchargez gratuitement le livre 4000 des alpes les plus belles courses d alpinisme publié le 15 10 2014 par l éditeur glénat en format epub ou pdf le fichier a des 270 pages et sa taille est de 408kb fichier epub télécharger epub télécharger pdf

4000 des alpes les plus belles courses d alpinisme - Jan 22 2023

web peu de montagnes exercent autant de fascination sur les alpinistes toutes disciplines confondues que les 4000 des alpes les géants de glace et de roche dépassant la ligne symbolique des 4000 mètres d altitude comme le cervin la jungfrau le grand paradis le mont blanc les grandes jorasses sont le rêve et l objectif de tout montagnard

4000 des alpes les plus belles courses d alpinisme - Mar 24 2023

web avec la publication en 1923 de son livre les 4000 des alpes devenu un classique de la littérature alpine il a inspiré des générations d alpinistes réédité maintes fois l ouvra 4000 des alpes les plus belles courses d alpinisme livre pas cher wolfgang pusch alpinisme et escalade gibert

4000 des alpes les plus belles courses d alpinism pdf - Apr 13 2022

web 4000 des alpes les plus belles courses d alpinism downloaded from arenaserver click by guest keenan cynthia histoire des gaulois depuis les temps plus reculés jusqu a l entière soumission de la gaule à la

4000 des alpes les plus belles courses d alpinisme - Aug 29 2023

web nov 6 2014 4000 des alpes les plus belles courses d alpinisme est un ouvrage magnifiquement illustré qui invite à gravir les géants de glace et de roche dépassant la ligne symbolique des 4000 mètres d altitude mont blanc cervin grand paradis mont rose barre des ecrins sont autant de rêve et d objectif d ascension pour les amoureux des

4000 des alpes les plus belles courses d alpinisme fnac - Jun 27 2023

web oct 15 2014 les plus belles courses d alpinisme 4000 des alpes wolfgang pusch helmut dumler willi paul burkhardt glénat des milliers de livres avec la livraison chez vous en 1 jour ou en magasin avec 5 de réduction

4000 des alpes les plus belles courses d alpinism copy - Mar 12 2022

web bulletin universel des sciences et de l industrie 6 4000 des alpes les plus belles courses d alpinism downloaded from jmseniorliving com by guest bautista christine les 4000 des alpes bod books on demand jordane liénard presque néophyte décide de s attaquer aux 82 plus hauts sommets des alpes avec son guide

download free officechaoscoordinatorlinednotebook - May 02 2022

web office chaos coordinator is 110 pages lined notebook good for christmas gift or other holidays gift features unique design can be used as a diary journal and notebook

chaos coordinator notebook etsy - May 14 2023

web professional chaos coordinator lined spiral notebook lined journal work gifts office accessories aesthetic notebooks hr gift for her

office chaos coordinator journal notebook lined alibris - Jun 03 2022

web buy office chaos coordinator journal notebook lined notebook gift by ns notebook online at alibris we have new and used copies available in 1 editions

chaos coordinator minimalist styled office black blank work - Apr 01 2022

web jul 11 2023 chaos coordinator minimalist styled office black blank work lined notebook paperback july 11 2023 by lady jane lifestyle author see all formats

office chaos coordinator lined notebook art blue ridge - Dec 09 2022

web nov 26 2019 office chaos coordinator this is a lined notebook lined front and back simple and elegant 108 pages and 6 x 9 inches in size

paperback december 5 2020 amazon com - Feb 28 2022

web dec 5 2020 professional chaos coordinator 6x9 lined funny work notebook 108 page office gag gift for adults secret santa card alternative coworker white

chaos coordinator chaos coordinator notebook funny - Mar 12 2023

web may 14 2018 chaos coordinator notebook gift is a college ruled lined notebook that makes a perfect mother s day gift also great office humor for secretary day or a

chaos coordinator funny lined journal 100 page college ruled - Jun 15 2023

web oct 9 2021 chaos coordinator funny lined journal 100 page college ruled notebook for office coworkers paperback october 9 2021 by sweet harmony press author

office chaos coordinator 6 9 blank lined notebook with - Jan 30 2022

web chaos coordinator notebook funny office humor mom notebook funny mom gift lady boss notebook chaos coordinator gift this composition notebook has many

office chaos coordinator 2021 edition open library - Nov 08 2022

web office chaos coordinator by make inspiration 2021 independently published edition in english

office chaos coordinator journal notebook amazon singapore - Oct 19 2023

web office chaos coordinator office management notebook with staff paper blank lined journal notebook gift boss work workplace worker ml work publisher

chaos coordinator office management notebook with staff - Dec 29 2021

web chaos coordinator office management notebook with staff paper blank lined journal notebook gift boss work workplace worker ml work publisher amazon sg books

professional chaos coordinator lined notebook simple a - Jul 04 2022

web professional chaos coordinator lined notebook simple and beautiful golden series notebook for coworker syndicate publishing 0 00 0

office chaos coordinator lined notebook lined journal diary or - Sep 18 2023

web office chaos coordinator lined notebook lined journal diary or notebook for notebook lovers 100 pages high quality cover and 6 x 9 inches in size front and back

chaos coordinator chaos coordinator lined notebook funny - Jul 16 2023

web chaos coordinator chaos coordinator lined notebook funny office humor mom dad notebook funny mom gift lady boss notebook professional chaos

office chaos coordinator a blank lined journal notebook - Aug 17 2023

web office chaos coordinator a blank lined journal notebook notebook for school motivational notebook journal diary planner 120 pages 60 sheets large

office chaos coordinator lined notebook cyberlab sutd edu sg - Oct 07 2022

web professional chaos coordinator this is a lined notebook lined front and back simple and elegant 100 pages high quality cover and 6 x 9 inches in size professional chaos

professional chaos coordinator lined notebook books r - Sep 06 2022

web spice up your home or office with this hilarious gift notebook journal with a funny saying be inspired to write in this notebook every day and give your team workmates and

professional chaos coordinator coworker notebook funny - Feb 11 2023

web dec 9 2019 this professional chaos coordinator notebook is perfect for anyone who loves to add a little bit of humor to their workday the lined pages are perfect for jotting

professional chaos coordinator lined spiral notebook lined etsy - Apr 13 2023

web aug 30 2023 professional chaos coordinator lined spiral notebook lined journal work gifts office accessories aesthetic notebooks hr gift for her

office chaos coordinator lined notebook goodreads - Jan 10 2023

web office chaos coordinator this is a lined notebook lined front and back simple and elegant 120 pages and 6 x 9 inches in size

chaos coordinator chaos coordinator notebook a blank lined - Aug 05 2022

web chaos coordinator notebook chaos coordinator is a lined notebook that makes a perfect gift for mother s day secretary day teacher appreciation gift for the busy

[the complete works of william shakespeare by william](#) - Oct 30 2022

web find helpful customer reviews and review ratings for complete works of william shakespeare knickerbocker classics 11 at amazon com read honest and

the complete works of william shakespeare google books - Jun 06 2023

web the perfect gift for the shakespeare fan the complete works of william shakespeare is an elegant edition boasting the entire credited catalog of william shakespeare including

[the complete works of william shakespeare](#) - Jul 07 2023

web oct 8 2019 arm yourself with this volume from the knickerbocker classics series the complete works of william shakespeare including 17 comedies 10 histories 10

the complete works of william shakespeare volume 11 - Sep 09 2023

web oct 10 2014 the complete works of william shakespeare volume 11 knickerbocker classics 11 hardcover october 10 2014 by william shakespeare author john

[the complete works of william shakespeare custom writing](#) - Nov 18 2021

the complete works of william shakespeare volume 11 - Jul 27 2022

web oct 10 2014 his extant works include some collaboration consisting of about 38 plays 154 sonnets two long narrative poems and a few other verses the authorship of some

the complete works of william shakespeare 4 - Mar 03 2023

web the complete works of william shakespeare knickerbocker classics hardcover 10 october 2014 by william shakespeare author 4 6 1 141 ratings edition slp see all

complete works of william shakespeare knickerbocker classics - Jan 21 2022

web shakespeare wrote at least 38 plays and over 150 short and long poems many of which are considered to be the finest ever written in english works of william shakespeare have

[the complete works of william shakespeare booktopia](#) - Apr 23 2022

web mar 3 2020 isbn 9781631060243 1st edition hardcover race point publishing 2014 condition new race point publishing 2014 condition brand new slipcase brand

[the complete works of william shakespeare knickerbocker](#) - Sep 28 2022

web the complete works of william shakespeare volume 11 knickerbocker classics 11 by shakespeare william lotherington

john isbn 10 1631060244 isbn 13

complete works of william shakespeare knickerbocker volume 4 - Mar 23 2022

web mar 4 2021 shop complete works of william shakespeare knickerbocker classics share complete works of william shakespeare knickerbocker classics a hardback

the complete works of william shakespeare knickerbocker - Nov 30 2022

web extremely popular in his lifetime shakespeare s works continue to resonate more than three hundred years after his death his plays are performed more often than any other

the complete works of william shakespeare knickerbocker - Dec 20 2021

the complete works of william shakespeare volume 11 - May 25 2022

web the complete works of william shakespeare contains essential reading like hamlet romeo juliet king lear othello a midsummer night s dream macbeth julius

complete works of william shakespeare - Apr 04 2023

web aug 11 2023 the first folio of william shakespeare s plays was published on 8 november 1623 and there are events being held worldwide to mark the anniversary

the complete works of william shakespeare - Aug 08 2023

web oct 10 2014 william shakespeare arm yourself with this volume from the knickerbocker classic series the complete works of william shakespeare

a complete works of shakespeare goes on display in london - Feb 02 2023

web oct 1 2019 booktopia has the complete works of william shakespeare knickerbocker classic timeless classics by william shakespeare buy a

complete works of william by shakespeare william - Oct 10 2023

web arm yourself with this volume from the knickerbocker classic series the complete works of william shakespeare including 16 comedies 10 histories 12 tragedies and

the complete works of william shakespeare knickerbocker - Feb 19 2022

web william shakespeare arm yourself with this volume from the knickerbocker classic series the complete works of william shakespeare including 16 comedies 10

amazon com the complete works of william - May 05 2023

web arm yourself with this volume from the knickerbocker classics series the complete works of william shakespeare including 16 comedies 10 histories 12 tragedies and

the complete works of william shakespeare - Jan 01 2023

web jan 1 1994 the complete works of william shakespeare by william shakespeare project gutenber project gutenber 71
999 free ebooks 335 by william

the complete works of william shakespeare knickerbocker - Jun 25 2022

web oct 1 2019 the perfect gift for the shakespeare fan the complete works of william shakespeare is an elegant edition
boasting the entire credited catalogue of william

complete works of william shakespeare knickerbocker - Aug 28 2022

web today let s take a look at the complete works of william shakespeare where to find it amazon us affiliate link the
complete works of william shakespeare