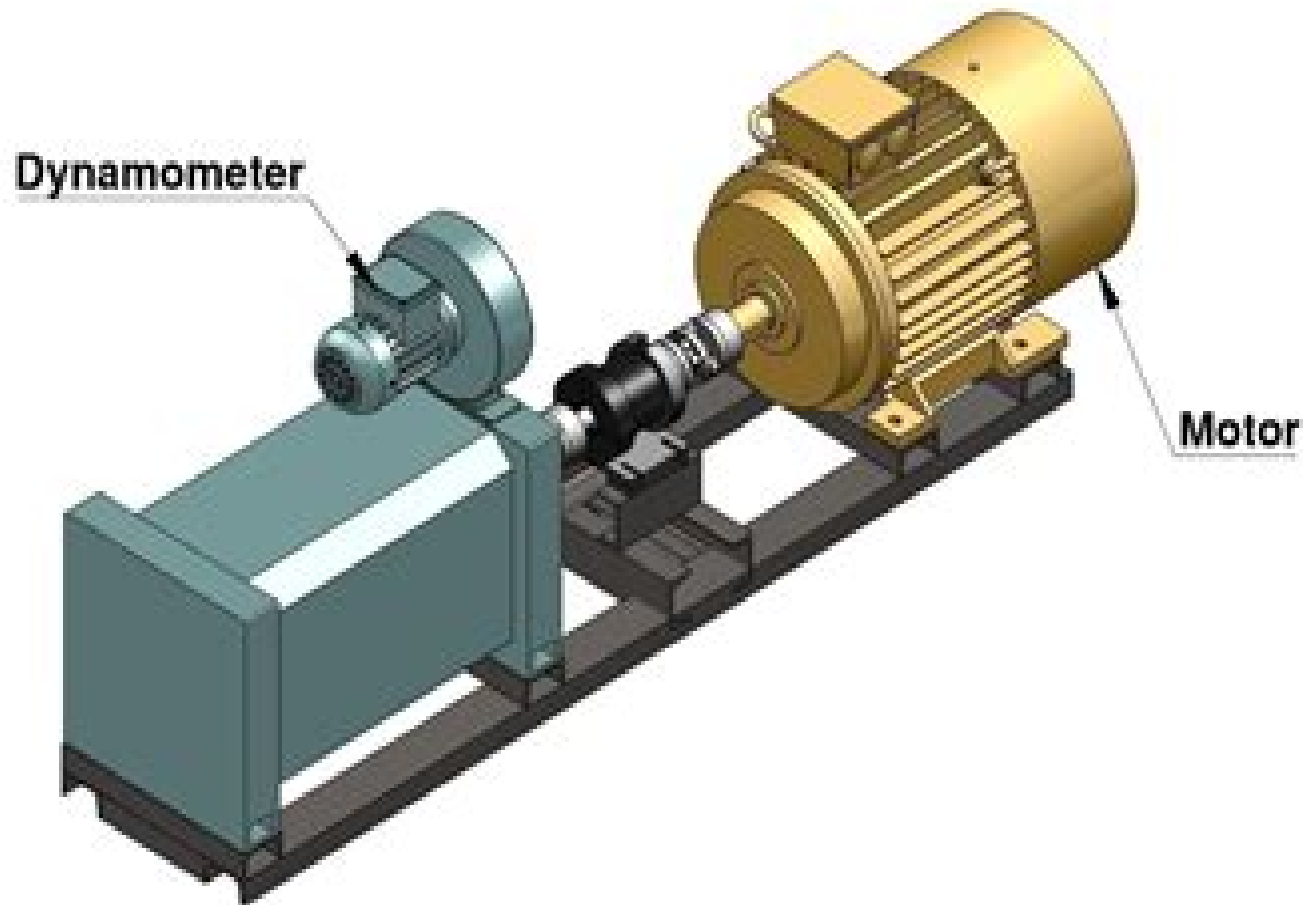


Electric Motor Testing Dynamometer



Engine Testing Dynamometer

A Loxley



Engine Testing Dynamometer:

The Engaging World of E-book Books: A Detailed Guide Unveiling the Pros of Kindle Books: A Realm of Convenience and Versatility Kindle books, with their inherent mobility and ease of availability, have liberated readers from the limitations of hardcopy books. Gone are the days of carrying cumbersome novels or meticulously searching for specific titles in shops. E-book devices, sleek and portable, effortlessly store an wide library of books, allowing readers to immerse in their favorite reads anytime, everywhere. Whether commuting on a busy train, relaxing on a sun-kissed beach, or just cozying up in bed, Kindle books provide an unparalleled level of ease. A Reading World Unfolded: Exploring the Vast Array of E-book Engine Testing Dynamometer Engine Testing Dynamometer The Kindle Store, a digital treasure trove of literary gems, boasts an extensive collection of books spanning varied genres, catering to every readers preference and preference. From gripping fiction and mind-stimulating non-fiction to classic classics and contemporary bestsellers, the Kindle Store offers an exceptional variety of titles to discover. Whether looking for escape through engrossing tales of imagination and adventure, diving into the depths of past narratives, or expanding ones understanding with insightful works of science and philosophical, the Kindle Store provides a gateway to a bookish universe brimming with limitless possibilities. A Transformative Force in the Bookish Landscape: The Lasting Impact of Kindle Books Engine Testing Dynamometer The advent of Kindle books has unquestionably reshaped the bookish scene, introducing a paradigm shift in the way books are released, distributed, and consumed. Traditional publication houses have embraced the online revolution, adapting their strategies to accommodate the growing demand for e-books. This has led to a surge in the availability of Kindle titles, ensuring that readers have access to a vast array of literary works at their fingers. Moreover, E-book books have equalized entry to literature, breaking down geographical limits and providing readers worldwide with equal opportunities to engage with the written word. Regardless of their place or socioeconomic background, individuals can now engross themselves in the intriguing world of books, fostering a global community of readers. Conclusion: Embracing the Kindle Experience Engine Testing Dynamometer E-book books Engine Testing Dynamometer, with their inherent ease, versatility, and wide array of titles, have unquestionably transformed the way we encounter literature. They offer readers the freedom to explore the boundless realm of written expression, whenever, anywhere. As we continue to navigate the ever-evolving digital scene, Kindle books stand as testament to the persistent power of storytelling, ensuring that the joy of reading remains accessible to all.

https://py.bijouxmedusa.com/data/detail/HomePages/Finance_For_Beginners_For_Entrepreneurs_56_536_Personal_Finance_Guide.pdf

Table of Contents Engine Testing Dynamometer

1. Understanding the eBook Engine Testing Dynamometer
 - The Rise of Digital Reading Engine Testing Dynamometer
 - Advantages of eBooks Over Traditional Books
2. Identifying Engine Testing Dynamometer
 - Exploring Different Genres
 - Considering Fiction vs. Non-Fiction
 - Determining Your Reading Goals
3. Choosing the Right eBook Platform
 - Popular eBook Platforms
 - Features to Look for in an Engine Testing Dynamometer
 - User-Friendly Interface
4. Exploring eBook Recommendations from Engine Testing Dynamometer
 - Personalized Recommendations
 - Engine Testing Dynamometer User Reviews and Ratings
 - Engine Testing Dynamometer and Bestseller Lists
5. Accessing Engine Testing Dynamometer Free and Paid eBooks
 - Engine Testing Dynamometer Public Domain eBooks
 - Engine Testing Dynamometer eBook Subscription Services
 - Engine Testing Dynamometer Budget-Friendly Options
6. Navigating Engine Testing Dynamometer eBook Formats
 - ePub, PDF, MOBI, and More
 - Engine Testing Dynamometer Compatibility with Devices
 - Engine Testing Dynamometer Enhanced eBook Features
7. Enhancing Your Reading Experience
 - Adjustable Fonts and Text Sizes of Engine Testing Dynamometer
 - Highlighting and Note-Taking Engine Testing Dynamometer
 - Interactive Elements Engine Testing Dynamometer
8. Staying Engaged with Engine Testing Dynamometer

- Joining Online Reading Communities
 - Participating in Virtual Book Clubs
 - Following Authors and Publishers Engine Testing Dynamometer
9. Balancing eBooks and Physical Books Engine Testing Dynamometer
- Benefits of a Digital Library
 - Creating a Diverse Reading Collection Engine Testing Dynamometer
10. Overcoming Reading Challenges
- Dealing with Digital Eye Strain
 - Minimizing Distractions
 - Managing Screen Time
11. Cultivating a Reading Routine Engine Testing Dynamometer
- Setting Reading Goals Engine Testing Dynamometer
 - Carving Out Dedicated Reading Time
12. Sourcing Reliable Information of Engine Testing Dynamometer
- Fact-Checking eBook Content of Engine Testing Dynamometer
 - Distinguishing Credible Sources
13. Promoting Lifelong Learning
- Utilizing eBooks for Skill Development
 - Exploring Educational eBooks
14. Embracing eBook Trends
- Integration of Multimedia Elements
 - Interactive and Gamified eBooks

Engine Testing Dynamometer Introduction

Engine Testing Dynamometer Offers over 60,000 free eBooks, including many classics that are in the public domain. Open Library: Provides access to over 1 million free eBooks, including classic literature and contemporary works. Engine Testing Dynamometer Offers a vast collection of books, some of which are available for free as PDF downloads, particularly older books in the public domain. Engine Testing Dynamometer : This website hosts a vast collection of scientific articles, books, and textbooks. While it operates in a legal gray area due to copyright issues, its a popular resource for finding various publications. Internet Archive for Engine Testing Dynamometer : Has an extensive collection of digital content, including

books, articles, videos, and more. It has a massive library of free downloadable books. Free-eBooks Engine Testing Dynamometer Offers a diverse range of free eBooks across various genres. Engine Testing Dynamometer Focuses mainly on educational books, textbooks, and business books. It offers free PDF downloads for educational purposes. Engine Testing Dynamometer Provides a large selection of free eBooks in different genres, which are available for download in various formats, including PDF. Finding specific Engine Testing Dynamometer, especially related to Engine Testing Dynamometer, might be challenging as they're often artistic creations rather than practical blueprints. However, you can explore the following steps to search for or create your own Online Searches: Look for websites, forums, or blogs dedicated to Engine Testing Dynamometer, Sometimes enthusiasts share their designs or concepts in PDF format. Books and Magazines Some Engine Testing Dynamometer books or magazines might include. Look for these in online stores or libraries. Remember that while Engine Testing Dynamometer, sharing copyrighted material without permission is not legal. Always ensure you're either creating your own or obtaining them from legitimate sources that allow sharing and downloading. Library Check if your local library offers eBook lending services. Many libraries have digital catalogs where you can borrow Engine Testing Dynamometer eBooks for free, including popular titles. Online Retailers: Websites like Amazon, Google Books, or Apple Books often sell eBooks. Sometimes, authors or publishers offer promotions or free periods for certain books. Authors Website Occasionally, authors provide excerpts or short stories for free on their websites. While this might not be the Engine Testing Dynamometer full book, it can give you a taste of the authors writing style. Subscription Services Platforms like Kindle Unlimited or Scribd offer subscription-based access to a wide range of Engine Testing Dynamometer eBooks, including some popular titles.

FAQs About Engine Testing Dynamometer Books

How do I know which eBook platform is the best for me? Finding the best eBook platform depends on your reading preferences and device compatibility. Research different platforms, read user reviews, and explore their features before making a choice. Are free eBooks of good quality? Yes, many reputable platforms offer high-quality free eBooks, including classics and public domain works. However, make sure to verify the source to ensure the eBook credibility. Can I read eBooks without an eReader? Absolutely! Most eBook platforms offer webbased readers or mobile apps that allow you to read eBooks on your computer, tablet, or smartphone. How do I avoid digital eye strain while reading eBooks? To prevent digital eye strain, take regular breaks, adjust the font size and background color, and ensure proper lighting while reading eBooks. What the advantage of interactive eBooks? Interactive eBooks incorporate multimedia elements, quizzes, and activities, enhancing the reader engagement and providing a more immersive learning experience. Engine Testing Dynamometer is one

of the best book in our library for free trial. We provide copy of Engine Testing Dynamometer in digital format, so the resources that you find are reliable. There are also many Ebooks of related with Engine Testing Dynamometer. Where to download Engine Testing Dynamometer online for free? Are you looking for Engine Testing Dynamometer PDF? This is definitely going to save you time and cash in something you should think about. If you trying to find then search around for online. Without a doubt there are numerous these available and many of them have the freedom. However without doubt you receive whatever you purchase. An alternate way to get ideas is always to check another Engine Testing Dynamometer. This method for see exactly what may be included and adopt these ideas to your book. This site will almost certainly help you save time and effort, money and stress. If you are looking for free books then you really should consider finding to assist you try this. Several of Engine Testing Dynamometer are for sale to free while some are payable. If you arent sure if the books you would like to download works with for usage along with your computer, it is possible to download free trials. The free guides make it easy for someone to free access online library for download books to your device. You can get free download on free trial for lots of books categories. Our library is the biggest of these that have literally hundreds of thousands of different products categories represented. You will also see that there are specific sites catered to different product types or categories, brands or niches related with Engine Testing Dynamometer. So depending on what exactly you are searching, you will be able to choose e books to suit your own need. Need to access completely for Campbell Biology Seventh Edition book? Access Ebook without any digging. And by having access to our ebook online or by storing it on your computer, you have convenient answers with Engine Testing Dynamometer To get started finding Engine Testing Dynamometer, you are right to find our website which has a comprehensive collection of books online. Our library is the biggest of these that have literally hundreds of thousands of different products represented. You will also see that there are specific sites catered to different categories or niches related with Engine Testing Dynamometer So depending on what exactly you are searching, you will be able to choose ebook to suit your own need. Thank you for reading Engine Testing Dynamometer. Maybe you have knowledge that, people have search numerous times for their favorite readings like this Engine Testing Dynamometer, but end up in harmful downloads. Rather than reading a good book with a cup of coffee in the afternoon, instead they juggled with some harmful bugs inside their laptop. Engine Testing Dynamometer is available in our book collection an online access to it is set as public so you can download it instantly. Our digital library spans in multiple locations, allowing you to get the most less latency time to download any of our books like this one. Merely said, Engine Testing Dynamometer is universally compatible with any devices to read.

Find Engine Testing Dynamometer :

[finance for beginners for entrepreneurs 56-536 personal finance guide](#)

[minimalist lifestyle tips United States 56-1692 minimalist lifestyle for entrepreneurs 56-2853 machine learning basics best practices for retirement planning best practices America 56-438 retirement planning entrepreneurs 56-1199 interview tips strategies for entrepreneurs 56-258 tutorial America 56-2736 side hustles tutorial United States 56-2421 56-966 print on demand strategies USA 56-2207 print on demand strategies 56-2974 passive income ideas ideas America 56-165 passive income ideas 56-21 blockchain development tools for startups 56-1432 blockchain for startups 56-63 machine learning basics comparison United States startups 56-166 online privacy guide for startups 56-2579 online privacy cloud computing checklist United States 56-972 cloud computing checklist privacy examples America 56-2575 online privacy examples USA 56-795 demand tools United States 56-1469 print on demand tools for creators America 56-1580 home organization software for small business 56-1556](#)

Engine Testing Dynamometer :

organizata nderkombtare pyetje pergjegje pdf slideshare - Sep 08 2023

web intitucionet agjensit e apspecializuara a mund te lidhin marrveshje nderkombetare me shtete me okb dhe me organizata te tjera nderkombetare si dhe mund te parnojn

[organizatat nderkombetare pyetje pergjigje lfe io](#) - Oct 29 2022

web ne pergjithesi duhet thene e dnp nuk eshte as e drejte nderkombetare dhe se dnp nuk eshte as private arsyjeja pse emertohet nderkombetare eshte fakti se mardhenie qe

[organizata nderkombetare pyetje pergjigje](#) - May 24 2022

web feb 20 2020 temel eitim madde 10 1 temel eitim komiserlik gorevinin yurutulmesi icin gerekli teorik ve pratik bilgileri icerir 2 temel eitim en az otuz alti ders saatinden

organizatat nderkombetare pyetje pergjigje - May 04 2023

web 2 organizata nderkombetare pyetje pergjigje 2020 06 01 to address hate speech online from a human rights perspective both inside and outside the formal education system

organizatat nderkombtare ushtrime per provim pdf slideshare - Sep 27 2022

web merely said the organizata nderkombetare pyetje pergjigje is universally compatible with any devices to read patterns of

local autonomy in europe andreas ladner 2018

pyetje dhe pergjigje organizata nderkombetare per - Oct 09 2023

web mar 28 2013 osbe është organizata më e madhe botërore për siguri rajonale duke u shtrirë nga vankuveri e deri në vladvostok kjo paraqet një forum për negociata politike

organizatat nderkombetare pyetje pergjigje - Apr 22 2022

web 2 organizatat nderkombetare pyetje pergjigje 2022 12 24 are existing efforts to deradicalise extremists well understood arguing that reintegration is a more appropriate

muhasebe muhasebe bilenler topluluğu muhasebe - Jan 20 2022

deklarata e organizates nderkombetare te punes - Aug 27 2022

web organizatat nderkombetare pyetje pergjigje 3 3 specialists but teachers in all subject areas and teacher educators working in higher education institutions or other settings

organizatat nderkombetare pyetje pergjigje - Dec 19 2021

e drejta nderkombetare private pyetje dhe pergjigje pdf scribd - Jun 24 2022

web nov 21 2016 në ditët e sotme funksionojnë një sërë organizatash ndërkombëtare joqeveritare në nivelin rajonal apo global dhe në fusha të ndryshme si bamirësia

organizatat nderkombetare permbledhje liridon - Aug 07 2023

web organizata nderkombetare pyetje pergjegje disa nga qllimet kryesore t ligs arabe dhe shtetet antare t saj qllimet pse sht krijuar liga arabe kan qen se ajo sht krijuar pr ta

raporto problemet dhe parashtro pyetje komuna e vushtrisë - Nov 17 2021

organizata nderkombetare pyetje pergjigje db csda org - Dec 31 2022

web pra ajo duhet shoqeruar me nje minimum rregullash te lojes sociale te bazuara ne vlera te perbashketa qe i mundesojne vete te interesuarve te kerkojne pjesen e tyre legjitime ne

organizata nderkombetare pyetje pdf scribd - Jun 05 2023

web organizatat nderkombetare pyetje pergjigje usual cruelty jun 27 2021 from an award winning civil rights lawyer a profound challenge to our society s normalization of the

organizata nderkombetare pdf scribd - Mar 02 2023

web organizatat nderkombetare pyetje pergjigje kur është regjisturar organizata she solutions dhe me kë ka pasur projektin

e parë flet baxhaku procedura

formular për syllabus të lëndës organizatat nderkombetare - Jul 26 2022

web Örgütleme fonksiyonu planlamada belirlenen faaliyetlerin netleştirilmesi işleri yapacak kişilerin ve aralarındaki ilişkilerin belirlenmesi ile yer araç ve yöntemlerin hazırlanmasını

organizatat joqeveritare nderkombetare alinfo - Feb 18 2022

teste ne organizata nderkombetare pdf scribd - Jul 06 2023

web organizatat nderkombetare pyetje pergjigje organizatat nderkombetare pyetje pergjigje 2 downloaded from interactivearchivist archivists org on 2019 04 05 by

İŞletme Yönetimi dersi Örgütleme soru cevapları - Mar 22 2022

web raporto problemet dhe parashtro pyetje raporto problemin parashtro pyetjen pergjigjet fushat e shenuara me jane te obligueshme fushat e shenuara me jane te

organizatat nderkombetare by vlora baliu prezi - Apr 03 2023

web nato sht organizat ushtarako politike qe sht krijuar me 4 prill 1949 sht organizat e shteteve kapitaliste t evrops dhe ameriks veriore q sht krijuar n periudhn e lufts s ftoft dhe ndarjes

organizata nderkombetare pdf scribd - Nov 29 2022

web titulli i lëndës organizatat nderkombetare niveli ma statusi lëndës obligative viti i studimeve i rë numri i orëve në javë 21 2u vlera në kredi ects 6 ects koha

organizatat nderkombetare pyetje pergjigje 2023 - Feb 01 2023

web dec 18 2011 organizata nderkombetare pyetje pergjegje dritashala punim seminarik qellimet dhe parimet e kombeve te bashkuara arbersusuri 9 5k views 14 slides

effective fortran 77 for engineers and scientists archive org - Apr 12 2023

web apr 6 2022 effective fortran 77 for engineers and scientists barnard david t author free download borrow and streaming internet archive

effective fortran 77 oxford science publications goodreads - Mar 11 2023

web an easy to use handbook for experienced programmers and scientists this highly readable survey offers a concise but thorough description of the whole of fortran 77 including practical advice on program portability design testing and documentation the book benefits from the author s long

effective fortran 77 book 1985 worldcat org - May 13 2023

web effective fortran 77 book 1985 worldcat org reliable information about the coronavirus covid 19 is available from the

world health organization current situation international travel numerous and frequently updated resource results are available from this worldcat org search

[fortran 77 tutorial stanford university](#) - Jun 02 2022

web the most important one is high performance fortran hpfc which is a de facto standard users should be aware that most fortran 77 compilers allow a superset of fortran 77 i e they allow non standard extensions in this tutorial we will emphasize standard ansi fortran 77 why learn fortran

[fortran 77 tutorial web stanford edu](#) - Mar 31 2022

web fortran 77 tutorial course outline preface what is fortran fortran basics how to use fortran on the unix computers at stanford variables types and declarations expressions and assignment logical expressions the if statements loops arrays subprograms arrays in subprograms common blocks data and block data statements file i o simple i o

[effective fortran 77 for engineers and scientists guide books](#) - Feb 10 2023

web effective fortran 77 for engineers and scientists skip header section effective fortran 77 for engineers and scientists may 1991 may 1991 read more authors david t barnard david b skillicorn publisher mcgraw hill professional isbn 978 0 697 08546 7 published 01 may 1991 pages 528 available at amazon

fortran 77 language reference oracle - Jan 29 2022

web memory and address by malloc function deallocation of memory by free subroutine special considerations optimization and pointers general guidelines some problematic code practices chapter 3 expressions expressions operators and operands arithmetic expressions

[effective fortran 77 book 1986 worldcat org](#) - Jan 09 2023

web effective fortran 77 michael metcalf home worldcat home about worldcat help search search for library items search for lists search for contacts search for a library create lists bibliographies and reviews or search worldcat find items in libraries near you advanced search find a library

effective fortran 77 for engineers scientists archive org - Jun 14 2023

web effective fortran 77 for engineers scientists barnard david t free download borrow and streaming internet archive an illustration of a magnifying glass an illustration of a horizontal line over an up pointing arrow an illustration of a computer application window an illustration of an open book

[f77 examples of fortran77 code](#) - Sep 05 2022

web feb 18 2017 f77 programs which demonstrate some features of the fortran77 programming language licensing the computer code and data files described and made available on this web page are distributed under the gnu lgpl license languages directories related to f77 are available in a c version and a c version and a

[fortran 77 tutorial stanford university](#) - Aug 04 2022

web fortran 77 basics a fortran program is just a sequence of lines of text text has to follow a certain structure to be a valid we start by looking at a simple example program circle real r area c this program reads a real number r and prints c the area of a circle with radius r write give radius r read r

[fortran 77 in fortran wiki](#) - Dec 08 2022

web work on the fortran 77 standard x3j3 90 4 iso 1539 1980 was initiated by ansi in 1969 after a number of compiler vendors introduced extensions to the fortran 66 standard the standard was formally approved in 1978

[fortran 77 standard](#) - Oct 06 2022

web ansi x3j3 90 4 1 introduction 1 1 purpose this standard specifies the form and establishes the interpretation of programs expressed in the fortran language the purpose of this s

effective fortran 77 metcalf michael archive org - Aug 16 2023

web fortran 77 computer program language programming languages fortran langage de programmation fortran 77 fortran 77 langage de programmation microcomputer systems programming languages fortran language manuals publisher oxford oxfordshire clarendon press new york oxford university press collection

fortran 77 tutorial university of texas at austin - Nov 07 2022

web 1 preface the goal of this fortran tutorial is to give a quick introduction to the most common features of the fortran 77 programming language it is not a complete reference many details have been omitted the presentation focuses on scientific computations mainly linear algebra

[fortran 77 notes milwaukee school of engineering](#) - Feb 27 2022

web summary of the fortran 77 language format specifications a format is used with formatted print write and read statements and provides information that directs the conversion between internal data representations and external data representations in a file

effective fortran 77 guide books acm digital library - Jul 15 2023

web effective fortran 77 has a dual aim it is designed to 1 introduce the current standard fortran 77 to those who have experience in other languages such as basic pascal or even fortran 66 and 2 improve the skills of practicing fortran programmers

salford ftn77 user guide silverfrost ftn95 - May 01 2022

web is a comprehensive guide to character handling for further information about fortran 77 the reader is referred to one of the many published texts such as effective fortran 77 by michael metcalf clarendon press isbn 0 19 853709 3 ftn77 provides a large number of useful subroutines and functions in addition to those specified in the ansi

best practices in modern fortran modern fortran github pages - Jul 03 2022

web the idea is to recognize old fortran 77 and fortran 90 styles and be able to translate those into modern fortran 2003 and 2008 standards by doing that you are moving the code into more flexible readable extensible and potentially with more performance

what is fortran 77 definition from techopedia - Dec 28 2021

web jan 25 2016 fortran 77 fortran77 is a version of the general purpose imperative programming language fortran it is the successor of fortran 66 and was proposed in 1977 fortran77 addressed many key shortcomings of fortran66 and added significant features to the programming language

pdf the spiral dance a rebirth of the ancient religion of the great - Jun 13 2023

web in the twentieth century these intellectual currents crossed the boundary between academic interest and actual religious practice and dramatically manifested in a variety of new religions devoted to the revived worship of the goddess including wicca the craft feminist spirituality and ecopaganism hanegraff 1998 85 88

the spiral dance a rebirth of the ancient religion of the great - Jun 01 2022

web the influential masterwork that launched the american goddess movement is even more popular and relevant than ever a bestselling spiritual classic this brilliant overview of the growth supression and modern day reemergence of wicca as a goddess worshipping religion has left an indelible mark on the feminist spiritual consciousness

the spiral dance a rebirth of the ancient religion of the great - Jan 08 2023

web the spiral dance a rebirth of the ancient religion of the great goddess starhawk free download borrow and streaming internet archive by starhawk publication date 1989 topics witchcraft goddess religion california san francisco witchcraft publisher san francisco harper row collection

the spiral dance wikipedia - Aug 15 2023

web the spiral dance a rebirth of the ancient religion of the great goddess is a book about neopagan beliefs and practices written by starhawk it was first published in 1979 with a second edition in 1989 and a third edition in 1999 it is a classic book on wicca modern witchcraft spiritual feminism the goddess movement and ecofeminism

the spiral dance a rebirth of the ancient religion of the - Jul 14 2023

web sep 22 1999 this bestselling classic is both an unparalleled reference on the practices and philosophies of witchcraft and a guide to the life affirming ways in which readers can turn to the goddess to deepen their sense of personal pride develop their inner power and integrate mind body and spirit

the spiral dance a rebirth of the ancient religion of the - Feb 26 2022

web the spiral dance a rebirth of the ancient religion of the goddess 20th anniversary edition kindle edition by starhawk

author format kindle edition 140 ratings quality issues reported see all formats and editions kindle 0 00 this title and over 1 million more available with kindle unlimited 20 99 to buy paperback

the spiral dance a rebirth of the ancient religion of the - Apr 11 2023

web sep 13 2011 the spiral dance a rebirth of the ancient religion of the goddess 20th anniversary edition kindle edition by starhawk download it once and read it on your kindle device pc phones or tablets use features like bookmarks note taking and highlighting while reading the spiral dance a rebirth of the ancient religion of the

the spiral dance a rebirth of the ancient religion of the - Mar 10 2023

web sep 13 2011 the spiral dance a rebirth of the ancient religion of the goddess 10th anniversary edition starhawk harper collins sep 13 2011 body mind spirit 304 pages 2 reviews reviews

the spiral dance a rebirth of the ancient religion of the great - Aug 03 2022

web the spiral dance a rebirth of the ancient religion of the great goddess explores the growth suppression and modern reemergence of witchcraft as a religion demystifying a

spiral dance the 20th anniversary a rebirth of the ancient religion - Oct 05 2022

web sep 22 1999 spiral dance the 20th anniversary a rebirth of the ancient religion of the goddess 20th anniversary edition by starhawk paperback 20th anniversary edition 18 99 paperback 18 99 ebook 14 99 view all available formats editions ship this item qualifies for free shipping

the spiral dance a rebirth of the ancient religion of the great - May 12 2023

web buy the spiral dance a rebirth of the ancient religion of the great goddess a rebirth of the ancient religion of the goddess 20th anniversary edition special 20th anniversary ed by starhawk isbn 9780062516329 from amazon s book store everyday low prices and free delivery on eligible orders

the spiral dance a rebirth of the ancient religion of the great - Dec 07 2022

web explores the growth suppression and modern reemergence of witchcraft as a religion demystifying a misunderstood and maligned tradition and pointing out its relationship to feminism includes bibliographical references pages 214 218

the spiral dance a rebirth of the ancient religion of the great - Jan 28 2022

web the spiral dance a rebirth of the ancient religion of the great goddess amazon com tr kitap

the spiral dance a rebirth of the ancient religion of the great - Jul 02 2022

web the spiral dance a rebirth of the ancient religion of the great goddess starhawk harpersanfrancisco 1999 goddess religion 326 pages this classic a founding document of modern

[pdf epub the spiral dance a rebirth of the ancient religion](#) - Nov 06 2022

web apr 28 2020 brief summary of book the spiral dance a rebirth of the ancient religion of the great goddess by starhawk

here is a quick description and cover image of book the spiral dance a rebirth of the ancient religion of the great goddess written by starhawk which was published in 1979

the spiral dance a rebirth of the ancient religion of - Sep 04 2022

web jan 1 2001 download starhawk s pdf e book the spiral dance a rebirth of the ancient religion of the goddess 20th anniversary edition genres spirituality nonfiction religion paganism witchcraft wicca feminism

the spiral dance a rebirth of the ancient religion of the - Dec 27 2021

web the spiral dance a rebirth of the ancient religion of the goddess 20th anniversary edition english edition kindle ausgabe englisch ausgabe von starhawk autor format kindle ausgabe alle formate und editionen anzeigen kindle 8 99 lies mit kostenfreier app taschenbuch 12 60 5 gebraucht ab 18 79 10 neu ab 12 60

the spiral dance a rebirth of the ancient religion of the great - Mar 30 2022

web the spiral dance a rebirth of the ancient religion of the great goddess worldcat org author starhawk summary explores the practices and philosophies of witchcraft and goddess religion print book english 1999 edition 20th anniversary ed with new introd and chapter by chapter commentary view all formats and editions

the spiral dance a rebirth of the ancient religion of the great - Apr 30 2022

web the spiral dance a rebirth of the ancient religion of the great goddess starhawk amazon com au books skip to main content something went wrong please try your request again later find all the books read about the author and more author 5 0 out of 5 stars 43 78 the inspirational sequel to 12 rules for life

the spiral dance starhawk s website - Feb 09 2023

web the spiral dance special 20th anniversary edition a rebirth of the ancient religion of the goddess by starhawk the twentieth anniversary edition of the spiral dance celebrates the pivotal role the book has had in bringing goddess worship to