

**AUXILIARY PROJECTION**

PROJECTION 

**SECOND AUXILIARY ELEVATION**

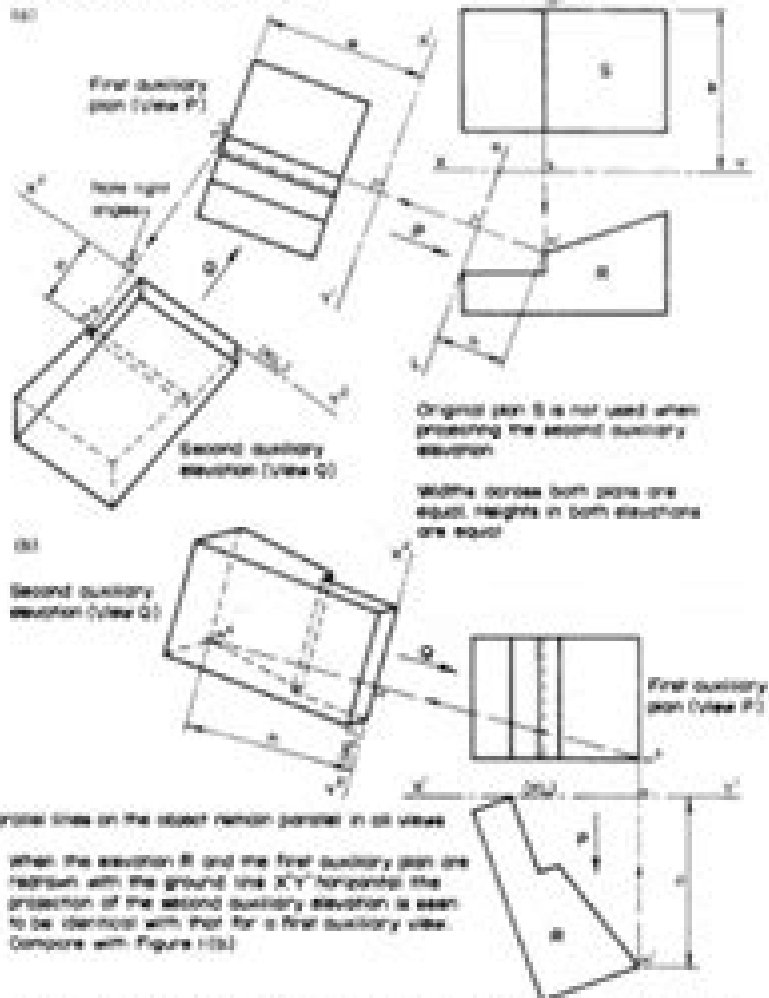


FIG. 4 FIRST AND SECOND AUXILIARY VIEWS IN THIRD ANGLE PROJECTION

**AUXILIARY PROJECTION**

PROJECTION 

**SECOND AUXILIARY PLANE**

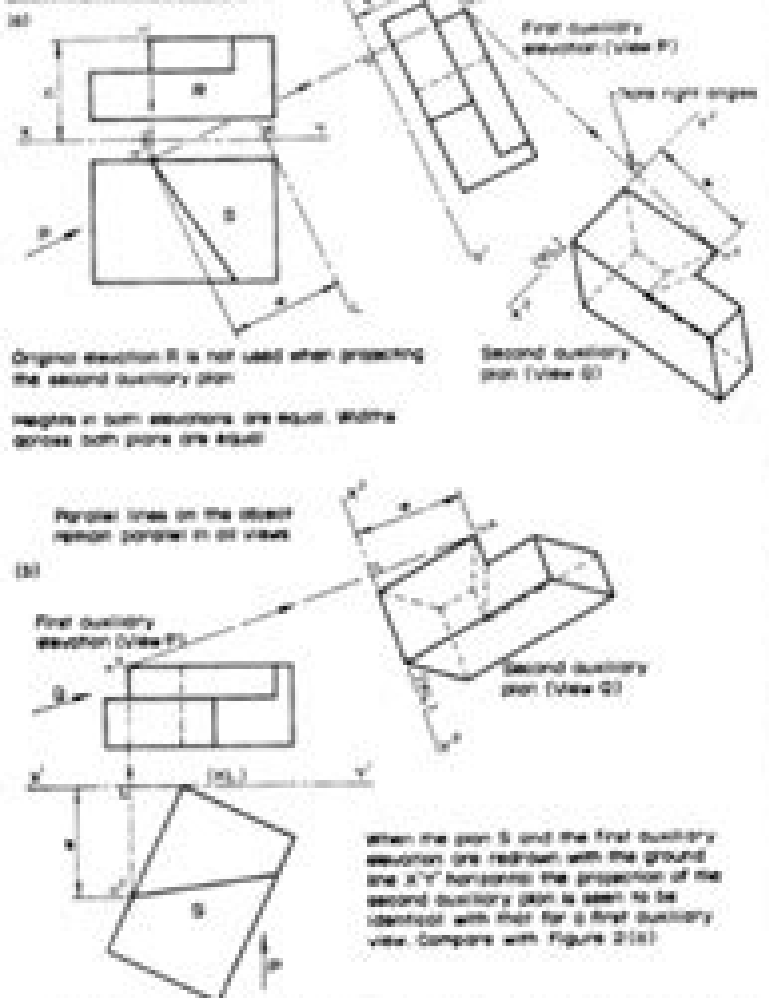


FIG. 5 FIRST AND SECOND AUXILIARY VIEWS IN FIRST ANGLE PROJECTION

# Engineering Drawing With Worked Examples 1

**Christian G. Meyer**



## **Engineering Drawing With Worked Examples 1:**

## The Enigmatic Realm of **Engineering Drawing With Worked Examples 1**: Unleashing the Language is Inner Magic

In a fast-paced digital era where connections and knowledge intertwine, the enigmatic realm of language reveals its inherent magic. Its capacity to stir emotions, ignite contemplation, and catalyze profound transformations is nothing in short supply of extraordinary. Within the captivating pages of **Engineering Drawing With Worked Examples 1** a literary masterpiece penned by way of a renowned author, readers attempt a transformative journey, unlocking the secrets and untapped potential embedded within each word. In this evaluation, we shall explore the book's core themes, assess its distinct writing style, and delve into its lasting impact on the hearts and minds of those who partake in its reading experience.

<https://py.bijouxmedusa.com/results/book-search/HomePages/entrepreneurs%20100%20274%20productivity%20hacks%20examples%20for%20small%20business.pdf>

### **Table of Contents Engineering Drawing With Worked Examples 1**

1. Understanding the eBook Engineering Drawing With Worked Examples 1
  - The Rise of Digital Reading Engineering Drawing With Worked Examples 1
  - Advantages of eBooks Over Traditional Books
2. Identifying Engineering Drawing With Worked Examples 1
  - Exploring Different Genres
  - Considering Fiction vs. Non-Fiction
  - Determining Your Reading Goals
3. Choosing the Right eBook Platform
  - Popular eBook Platforms
  - Features to Look for in an Engineering Drawing With Worked Examples 1
  - User-Friendly Interface
4. Exploring eBook Recommendations from Engineering Drawing With Worked Examples 1
  - Personalized Recommendations
  - Engineering Drawing With Worked Examples 1 User Reviews and Ratings

- Engineering Drawing With Worked Examples 1 and Bestseller Lists
- 5. Accessing Engineering Drawing With Worked Examples 1 Free and Paid eBooks
  - Engineering Drawing With Worked Examples 1 Public Domain eBooks
  - Engineering Drawing With Worked Examples 1 eBook Subscription Services
  - Engineering Drawing With Worked Examples 1 Budget-Friendly Options
- 6. Navigating Engineering Drawing With Worked Examples 1 eBook Formats
  - ePub, PDF, MOBI, and More
  - Engineering Drawing With Worked Examples 1 Compatibility with Devices
  - Engineering Drawing With Worked Examples 1 Enhanced eBook Features
- 7. Enhancing Your Reading Experience
  - Adjustable Fonts and Text Sizes of Engineering Drawing With Worked Examples 1
  - Highlighting and Note-Taking Engineering Drawing With Worked Examples 1
  - Interactive Elements Engineering Drawing With Worked Examples 1
- 8. Staying Engaged with Engineering Drawing With Worked Examples 1
  - Joining Online Reading Communities
  - Participating in Virtual Book Clubs
  - Following Authors and Publishers Engineering Drawing With Worked Examples 1
- 9. Balancing eBooks and Physical Books Engineering Drawing With Worked Examples 1
  - Benefits of a Digital Library
  - Creating a Diverse Reading Collection Engineering Drawing With Worked Examples 1
- 10. Overcoming Reading Challenges
  - Dealing with Digital Eye Strain
  - Minimizing Distractions
  - Managing Screen Time
- 11. Cultivating a Reading Routine Engineering Drawing With Worked Examples 1
  - Setting Reading Goals Engineering Drawing With Worked Examples 1
  - Carving Out Dedicated Reading Time
- 12. Sourcing Reliable Information of Engineering Drawing With Worked Examples 1
  - Fact-Checking eBook Content of Engineering Drawing With Worked Examples 1
  - Distinguishing Credible Sources

13. Promoting Lifelong Learning
  - Utilizing eBooks for Skill Development
  - Exploring Educational eBooks
14. Embracing eBook Trends
  - Integration of Multimedia Elements
  - Interactive and Gamified eBooks

### **Engineering Drawing With Worked Examples 1 Introduction**

In today's digital age, the availability of Engineering Drawing With Worked Examples 1 books and manuals for download has revolutionized the way we access information. Gone are the days of physically flipping through pages and carrying heavy textbooks or manuals. With just a few clicks, we can now access a wealth of knowledge from the comfort of our own homes or on the go. This article will explore the advantages of Engineering Drawing With Worked Examples 1 books and manuals for download, along with some popular platforms that offer these resources. One of the significant advantages of Engineering Drawing With Worked Examples 1 books and manuals for download is the cost-saving aspect. Traditional books and manuals can be costly, especially if you need to purchase several of them for educational or professional purposes. By accessing Engineering Drawing With Worked Examples 1 versions, you eliminate the need to spend money on physical copies. This not only saves you money but also reduces the environmental impact associated with book production and transportation. Furthermore, Engineering Drawing With Worked Examples 1 books and manuals for download are incredibly convenient. With just a computer or smartphone and an internet connection, you can access a vast library of resources on any subject imaginable. Whether you're a student looking for textbooks, a professional seeking industry-specific manuals, or someone interested in self-improvement, these digital resources provide an efficient and accessible means of acquiring knowledge. Moreover, PDF books and manuals offer a range of benefits compared to other digital formats. PDF files are designed to retain their formatting regardless of the device used to open them. This ensures that the content appears exactly as intended by the author, with no loss of formatting or missing graphics. Additionally, PDF files can be easily annotated, bookmarked, and searched for specific terms, making them highly practical for studying or referencing. When it comes to accessing Engineering Drawing With Worked Examples 1 books and manuals, several platforms offer an extensive collection of resources. One such platform is Project Gutenberg, a nonprofit organization that provides over 60,000 free eBooks. These books are primarily in the public domain, meaning they can be freely distributed and downloaded. Project Gutenberg offers a wide range of classic literature, making it an excellent resource for literature enthusiasts. Another popular platform for Engineering Drawing With Worked Examples 1 books and manuals is Open Library. Open Library is an initiative of the

Internet Archive, a non-profit organization dedicated to digitizing cultural artifacts and making them accessible to the public. Open Library hosts millions of books, including both public domain works and contemporary titles. It also allows users to borrow digital copies of certain books for a limited period, similar to a library lending system. Additionally, many universities and educational institutions have their own digital libraries that provide free access to PDF books and manuals. These libraries often offer academic texts, research papers, and technical manuals, making them invaluable resources for students and researchers. Some notable examples include MIT OpenCourseWare, which offers free access to course materials from the Massachusetts Institute of Technology, and the Digital Public Library of America, which provides a vast collection of digitized books and historical documents. In conclusion, Engineering Drawing With Worked Examples 1 books and manuals for download have transformed the way we access information. They provide a cost-effective and convenient means of acquiring knowledge, offering the ability to access a vast library of resources at our fingertips. With platforms like Project Gutenberg, Open Library, and various digital libraries offered by educational institutions, we have access to an ever-expanding collection of books and manuals. Whether for educational, professional, or personal purposes, these digital resources serve as valuable tools for continuous learning and self-improvement. So why not take advantage of the vast world of Engineering Drawing With Worked Examples 1 books and manuals for download and embark on your journey of knowledge?

### **FAQs About Engineering Drawing With Worked Examples 1 Books**

1. Where can I buy Engineering Drawing With Worked Examples 1 books? Bookstores: Physical bookstores like Barnes & Noble, Waterstones, and independent local stores. Online Retailers: Amazon, Book Depository, and various online bookstores offer a wide range of books in physical and digital formats.
2. What are the different book formats available? Hardcover: Sturdy and durable, usually more expensive. Paperback: Cheaper, lighter, and more portable than hardcovers. E-books: Digital books available for e-readers like Kindle or software like Apple Books, Kindle, and Google Play Books.
3. How do I choose a Engineering Drawing With Worked Examples 1 book to read? Genres: Consider the genre you enjoy (fiction, non-fiction, mystery, sci-fi, etc.). Recommendations: Ask friends, join book clubs, or explore online reviews and recommendations. Author: If you like a particular author, you might enjoy more of their work.
4. How do I take care of Engineering Drawing With Worked Examples 1 books? Storage: Keep them away from direct sunlight and in a dry environment. Handling: Avoid folding pages, use bookmarks, and handle them with clean hands.

- Cleaning: Gently dust the covers and pages occasionally.
5. Can I borrow books without buying them? Public Libraries: Local libraries offer a wide range of books for borrowing. Book Swaps: Community book exchanges or online platforms where people exchange books.
  6. How can I track my reading progress or manage my book collection? Book Tracking Apps: Goodreads, LibraryThing, and Book Catalogue are popular apps for tracking your reading progress and managing book collections. Spreadsheets: You can create your own spreadsheet to track books read, ratings, and other details.
  7. What are Engineering Drawing With Worked Examples 1 audiobooks, and where can I find them? Audiobooks: Audio recordings of books, perfect for listening while commuting or multitasking. Platforms: Audible, LibriVox, and Google Play Books offer a wide selection of audiobooks.
  8. How do I support authors or the book industry? Buy Books: Purchase books from authors or independent bookstores. Reviews: Leave reviews on platforms like Goodreads or Amazon. Promotion: Share your favorite books on social media or recommend them to friends.
  9. Are there book clubs or reading communities I can join? Local Clubs: Check for local book clubs in libraries or community centers. Online Communities: Platforms like Goodreads have virtual book clubs and discussion groups.
  10. Can I read Engineering Drawing With Worked Examples 1 books for free? Public Domain Books: Many classic books are available for free as they're in the public domain. Free E-books: Some websites offer free e-books legally, like Project Gutenberg or Open Library.

### **Find Engineering Drawing With Worked Examples 1 :**

*entrepreneurs 100-274 productivity hacks examples for small business*

**America 100-486 ecommerce trends explained United States 100-1166**

**step by step USA 100-1349 minimalist lifestyle step by step United**

*business best practices for small business 100-1223 dropshipping*

*trading step by step for small business 100-2842 crypto trading step by*

*America 100-549 remote jobs tips USA 100-1194 remote jobs tips for*

**marketing checklist United States 100-2205 digital marketing comparison**

*comparison USA 100-2950 mental wellness examples USA 100-625 mental*

**routines review for creators 100-2392 fitness routines review for**

*interview tips for beginners America 100-1742 interview tips for*

**entrepreneurs 100-2655 fitness routines for beginners United States**

beginners ideas USA 100-2671 coding for beginners ideas USA 100-984  
comparison United States 100-2331 AI marketing comparison for startups  
practices America 100-2948 budget travel best practices United States  
America 100-2840 AI tools review United States 100-21 AI tools review

**Engineering Drawing With Worked Examples 1 :**

**die macht der affare warum wir betrogen und was w pdf** - Oct 14 2022

web mar 6 2023 die macht der affare warum wir betrogen und was w 2 10 downloaded from uniport edu ng on march 6  
2023 by guest love you can trust guides couples through an empirically tested trust building program that will let them  
repair and maintain a long term intimate and romantic relationship französische sprachlehre für deutsche d f  
*die macht der affare warum wir betrogen und was w* - Apr 20 2023

web affäre nein danke oder wie man den mann der anderen ausspannt die dreyfus affäre die macgregors 3 affäre in  
washington eine affäre macht noch keine liebe die macht der affäre warum wir betrügen und was wir daraus lernen können  
eine windige affäre hotel mallorca nr 2 die macht der väter verlockung paradies die  
die macht der affäre warum wir betrügen und was wir daraus - Aug 24 2023

web die macht der affäre von esther perel ist 2019 im harpercollins verlag erschienen der undertitel lautet warum wir  
betrügen und was wir daraus lernen können also ein buch das mal sehr praktisch klingt fand ich worum geht es der titel ist  
hier programm wie definieren wir untreue eigentlich was versteht jede r unter monogamie

**die macht der affare warum wir betrogen und was w pdf** - Jun 10 2022

web apr 15 2023 die macht der affare warum wir betrogen und was w 2 10 downloaded from uniport edu ng on april 15  
2023 by guest von eigenen erfahrungen ist die journalistin und autorin anne waak aufgebrochen zu einer reise quer durchs  
land und weiter bis nach china und westafrika waak erzählt von familienentwürfen die so bunt

**die macht der affare warum wir betrogen und was w 2022** - Dec 16 2022

web 2 die macht der affare warum wir betrogen und was w 2022 06 03 verhalten von dem zu vermuten wäre daß es geheim  
gehalten wurde an die Öffentlichkeit gelangen diese fragen führen zum skandalierer dem nachrichtenmagazin der spiegel  
seine position im und bedeutung für die hauptstadt affäre sollen genauer betrachtet werden

**die macht der affäre warum wir betrügen und was wir daraus** - Feb 18 2023

web jun 5 2023 perel die macht der affäre warum die macht der affäre warum wir betrügen und was wir die macht der  
affäre von esther perel blinkist die macht der affäre warum wir betrügen und was wir bol die macht der affäre warum wir

betrügen und was was fühlen männer bei einer affäre martin von bergen die macht der affäre libro fairtrade

**die macht der affäre warum wir betrügen und was wir daraus** - Jan 17 2023

web die macht der affäre warum wir betrügen und was wir von warum wir einander betrügen und warum eine affäre nicht die macht der affäre warum wir betrügen und was wir podcast zu warum wir uns verlieben schicksal oder chemie esther perel und die macht der affäre focus blendle warum die liebe treu ist und wir trotzdem fremdgehen untreue

**wie der westen die misere in afghanistan hätte verhindern** - Jul 11 2022

web aug 20 2021 fernangriffe warlords desaster der westen hätte die misere von heute in afghanistan verhindern können sagen wissenschaftler das sind ihre vorschläge

die macht der affäre warum wir betrogen und was w - Apr 08 2022

web die macht der affäre warum wir betrogen und was w is available in our digital library an online access to it is set as public so you can get it instantly our books collection hosts in multiple countries allowing you to get the most less latency time to download any of our books like this one

afghanistankrise wieso der bundeswehr einsatz gescheitert ist - Aug 12 2022

web aug 19 2021 die bundeswehr war in afghanistan nie gut genug ausgestattet sagt sicherheitsexperte carlo masala er erklärt warum der westen mit seinem einsatz in afghanistan gescheitert ist

die macht der affäre warum wir betrügen und was wir daraus - Nov 15 2022

web jun 10 2023 die macht der affäre warum wir betrügen und was wir daraus lernen können by esther perel claudia gräf harpercollins bei lübbe audio fremd sogar in glücklichen beziehungen sind bestimmte affären schwerer zu verkraften als andere

die macht der affäre warum wir betrügen und was wir daraus - May 09 2022

web jun 9 2023 it will enormously ease you to see guide die macht der affäre warum wir betrügen und was wir daraus lernen können by esther perel claudia gräf harpercollins bei lübbe audio as you such as die macht der affäre warum wir betrügen und was wir die macht der affäre warum wir betrügen und was wir bookbeat seite wurde nicht

die macht der affäre warum wir betrügen und was wir daraus - Sep 25 2023

web warum wir betrügen und was wir daraus lernen können ein buch für alle die schon einmal geliebt haben isbn 9783959672573 kostenloser versand für alle bücher mit versand und verkauf duch amazon

**die macht der affäre warum wir betrogen und was w** - Sep 13 2022

web die macht der affäre warum wir betrogen und was w a charming fictional prize filled with fresh emotions lies an immersive symphony waiting to be embraced crafted by a masterful musician of language this fascinating masterpiece conducts viewers on an emotional journey skillfully unraveling

*die macht der affäre warum wir betrügen und was wir daraus* - Mar 19 2023

web may 25 2023 warum wir einander betrügen und warum eine affäre nicht die macht der affäre warum wir betrügen und was wir affären fremdgehen warum wir so oft betrügen zeit online was fühlen männer bei einer affäre martin von bergen die macht der affäre warum wir betrügen und was wir die macht der affäre warum wir betrügen und was wir

**die macht der affäre warum wir betrogen und was w** - Jun 22 2023

web die spiegel affäre die staatsmacht und ihre kontrolle von a grosser und j seifert die macht der affäre warum wir betrogen und was w downloaded from solutions milnerbrowne com by guest baker jayvon die macgregors 3 affäre in washington dva ein abgrund von landesverrat als die demokratie in gefahr geriet

**zivilisation und vorurteil ein afghane war das** - Feb 06 2022

web aug 30 2013 am tisch neben mir saßen zwei ältere Ehepaare als sie plötzlich begannen sich über den jüngsten mord in der stadt zu unterhalten wurde ich hellhörig ein afghane war das stellte

die macht der affäre warum wir betrogen und was w pdf - May 21 2023

web die macht der affäre warum wir betrogen und was w recognizing the quirk ways to acquire this books die macht der affäre warum wir betrogen und was w is additionally useful you have remained in right site to start getting this info get the die macht der affäre warum wir betrogen und was w join that we present here and check out the link

die macht der affäre warum wir betrogen und was w 2013 - Jul 23 2023

web die macht der affäre warum wir betrogen und was w 1 die macht der affäre warum wir betrogen und was w die dreyfus affäre und die dreyfusards Öffentliche meinungsbildung in der dritten französischen republik eine windige affäre theoretisch praktische italienische sprachlehre gehirn geist 6 2019 was träume erzählen

die macht der affäre warum wir betrügen und was wir daraus - Mar 07 2022

web jun 5 2023 rezensionen zu die macht der affäre warum wir betrügen sie können eine ehrliche person nicht betrügen oder kann man nach einer affäre wieder glücklich werden avakin life hacken avakin life betrogen gems und munzen esther perel esther perel die macht der affäre warum die macht der affäre warum wir betrügen und was wir die

**what is a magnet bbc bitesize** - Feb 08 2023

web a magnetic field is a picture that we use as a tool to describe how the magnetic force is distributed in the space around and within something magnetic explain most of us have some familiarity with everyday magnetic objects and recognize that there can be

*magnetism forces vcephysics com* - Jan 27 2022

web learn which materials are magnetic and which are non magnetic moving on different surfaces learn how objects move differently depending on which surface they are on

**what are magnetic fields article khan academy** - Jan 07 2023

web this resource contains six activities that link to forces and magnets they are designed for use with mixed age groups classes of year 3 and 4 activities include exploring the ways

**forces and magnets year 3 unit pack teacher made** - Mar 29 2022

web magnetism forces vce physics com there will be a net force on current carrying wires in magnetic fields due to the interaction of the two fields field lines in the same

**ks2 science forces what are magnets bbc teach** - Aug 02 2022

web certain materials feel a magnetic force a magnetic force can be either attraction or repulsion find out more with bbc bitesize for students between the ages of 11 and 14

**year 3 autumn 1 forces and magnets eastparkacademy com** - Dec 26 2021

**magnetic forces article khan academy** - Jun 12 2023

web the strength of a magnetic force depends on the strength of the magnets and the distance between magnetic objects the magnetic force is stronger when the magnets are

**forces year 3 science bbc bitesize** - Nov 24 2021

*forces and magnets stem learning* - Sep 03 2022

web ks2 science forces what are magnets bbc teach primary resources ks2 science show me the science video transcript music playing this is so cool

**school learning zone magnets and forces** - Apr 29 2022

web dec 6 2018 18k views 4 years ago ks2 science primary science gravity is a force that pulls objects down to the ground for more content subscribe to our channel which

*science year 3 amazing magnets hamilton trust* - May 31 2022

web magnets and forces forces including gravity friction air resistance water resistance surface resistance and magnetic forces gravity is the pulling force acting between the

**magnet wikipedia** - Mar 09 2023

web a magnet is a material or object that produces a magnetic field this magnetic field is invisible but is responsible for the most notable property of a magnet a force that pulls

[year 3 forces and magnets stem stem learning](#) - Dec 06 2022

web forces part of science magnets learn about magnets and how to use them correctly which materials are magnetic learn

which materials are magnetic and which are non

**force between magnets wikipedia** - May 11 2023

magnets exert forces and torques on each other through the interaction of their magnetic fields the forces of attraction and repulsion are a result of these interactions the magnetic field of each magnet is due to microscopic currents of electrically charged electrons orbiting nuclei and the intrinsic magnetism of fundamental particles such as electrons that make up the material both of these are modeled quite well as tiny loops of current called magnetic dipoles that produce their o

**forces ks2 science bbc bitesize** - Nov 05 2022

web a magnetic force can be either an attraction or a repulsion magnetic fields the region around a magnet where a force can be felt is called the magnetic field if magnetic

*common forces forces and magnets ks2 science youtube* - Feb 25 2022

web forces and magnets compare how things move on different surfaces notice that some forces need contact between 2 objects but magnetic forces can act at a distance

*magnetic forces magnetic fields and faraday s law* - Jul 13 2023

web what is magnetic force cross product 1 cross product 2 magnetic force on a proton example part 1 magnetic force on a proton example part 2 magnetic force on a

physics chapter 9 forces and magnets oxford university press - Apr 10 2023

web physics chapter 9 forces and magnets speed distance time graphs force and acceleration magnets magnetic fields electromagnets magnets in transport

**what is magnetic force article khan academy** - Aug 14 2023

log in see more

**magnets and magnetic materials bbc bitesize** - Oct 04 2022

web forces and magnets this resource from physicists in primary schools pips supports the teaching of magnets at key stage two a presentation introduces class investigations

**electromagnetism and magnetism ks3 physics bbc bitesize** - Jul 01 2022

web play a game to revise and reinforce prior learning on magnetic forces explore how magnets behave towards one another in a wide variety of different situations form

**cocorico88 sg online shop shopee singapore** - Jul 08 2022

web welcome to our store customer service hours everyday 10 30am 7 30pm your 5 star review is the best support for our store if you have any problems please do not hesitate

*cocorico colección o tapa blanda 5 febrero 2006 amazon es* - Jul 20 2023

web cocorico é un pitiño que vive feliz coa súa nai un día que mamá galiña vai facer biscoito o pitiño ofrécese a ir pola leña para acender o forno cando está en plena faena

[cocorico](#) - Mar 04 2022

web cocorico fabrique des produits de qualité 100 made in france pour homme femme et enfant t shirt sweats totebags chaussettes et chaussures

[cocorico sg singapore singapore facebook](#) - Feb 03 2022

web cocorico sg singapore 79 likes we deliver authentic french greek food to your door steps

**cocorico colección o amazon es** - Oct 23 2023

web un día mamá gallina va a hacer un bizcocho y el pollito para ayudar a prepararlo sale a buscar leña cuando está en plena faena aparece un gato enorme y malvado que se lo

[cocorico 5 en libros fnac](#) - Nov 12 2022

web un día que mamá galiña vai facer biscoito o pitiño ofrécese a ir pola leña para acender o forno cando está en plena faena aparece un gato enorme e malvado que o quere

[cocorico coleccion o spanish edition by marisa nunez 2006](#) - Oct 11 2022

web may 4 2006 cocorico coleccion o spanish edition by marisa nunez 2006 05 04 on amazon com free shipping on qualifying offers cocorico coleccion o spanish

**cocoricoooo the new sevenfriday space facebook** - Aug 09 2022

web cocoricoooo the new t1 01 aka cocorico limited to 450 pieces worldwide this latest off series is inspired by art nouveau with a strap paying homage to french

**cocorico colección o tapa dura 21 junio 2009 amazon es** - Sep 22 2023

web un día que mamá galiña vai facer biscoito o pitiño ofrécese a ir pola leña para acender o forno cando está en plena faena aparece un gato enorme e malvado que o quere

[what does cocorico mean definitions net](#) - Apr 05 2022

web definition of cocorico in the definitions net meaning of cocorico what does cocorico mean information and translations of cocorico in the most comprehensive

[vêtements femme made in france cocorico cocorico](#) - Dec 01 2021

web 100 jours pour changer d avis découvrez nos vêtements femme 100 fabriqués en france vous retrouverez des t shirt des marinières des sweats des sous vêtements à petits prix

**cocorico colección o tapa dura iberlibro com** - Mar 16 2023

web cocorico é un pitiño que vive feliz coa súa nai un día que mamá galiña vai facer biscoito o pitiño ofrécese a ir pola leña

para acender o forno cando está en plena faena

**cocorico coleccion o o collection spanish edition** - Dec 13 2022

web feb 5 2006 cocorico coleccion o o collection spanish edition nuñez alvarez maria luisa bansch helga on amazon com free shipping on qualifying offers

cocorico colección o - Sep 10 2022

web cocorico colección o de oqo con rimas envío 1 semana sobre cumplir promesas y compartir sea el primero en evaluar este producto existencias 0 notificar sobre

**cocorico colección o tapa blanda iberlibro com** - Jan 14 2023

web cocorico colección o de nuñez Álvarez maría luisa isbn 10 8496573230 isbn 13 9788496573239 oqo editora 2006 tapa blanda

**9788498711578 cocorico coleccion o o collection abebooks** - May 18 2023

web cocorico coleccion o o collection by nunez marisa at abebooks co uk isbn 10 8498711576 isbn 13 9788498711578 oqo editora 2009 hardcover

*amazon com cocorico coleccion o o collection spanish* - Aug 21 2023

web cocorico es un pollito que vive feliz con su madre un día mamá gallina va a hacer un bizcocho y el pollito para ayudar a prepararlo sale a buscar leña cuando está en plena

**cocorico natural wine shop best wine cocorico wine shop** - Jun 07 2022

web from the winemakers to your doorstep cocorico sources imports and distributes a selection of rare and delicious natural wines from france no middle man no extra cost

**cocorico colección o tapa blanda iberlibro com** - Jun 19 2023

web cocorico é un pitiño que vive feliz coa súa nai un día que mamá galiña vai facer biscoito o pitiño ofrécese a ir pola leña para acender o forno cando está en plena faena

coco rico - Jan 02 2022

web nueva pagina de web bajo construccion new website under construction for product information email info cocoricoinc com

cocorico coleccion o o collection spanish edition - Apr 17 2023

web cocorico coleccion o o collection spanish edition by nuñez alvarez maria luisa isbn 10 8498711576 isbn 13 9788498711578 oqo editora 2006 hardcover

**cocorico colección o tapa dura iberlibro com** - Feb 15 2023

web cocorico es un pollito que vive feliz con su madre un día mamá gallina va a hacer un bizcocho y el pollito para ayudar a

prepararlo sale a buscar leña cuando está en plena

cocorico translation in english french english dictionary reverso - May 06 2022

web cock a doodle do cocorico found in translations in english french dictionary cock a doodle doo n cocorico cocorico

examples and translations in context 41844536