

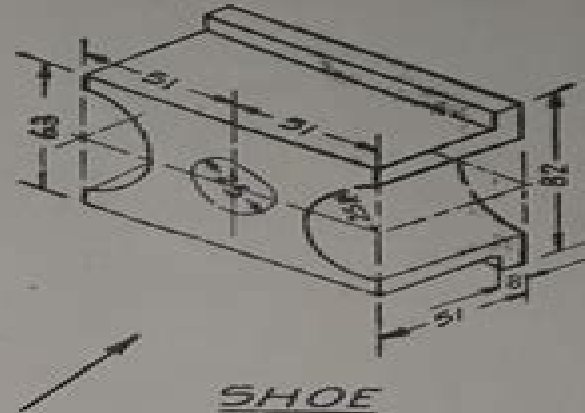
Time: 3 Hours

MM: 50

Note: Attempt all the questions. Assume any missing dimensions suitably.

Q1. a) Draw the following views of given object.

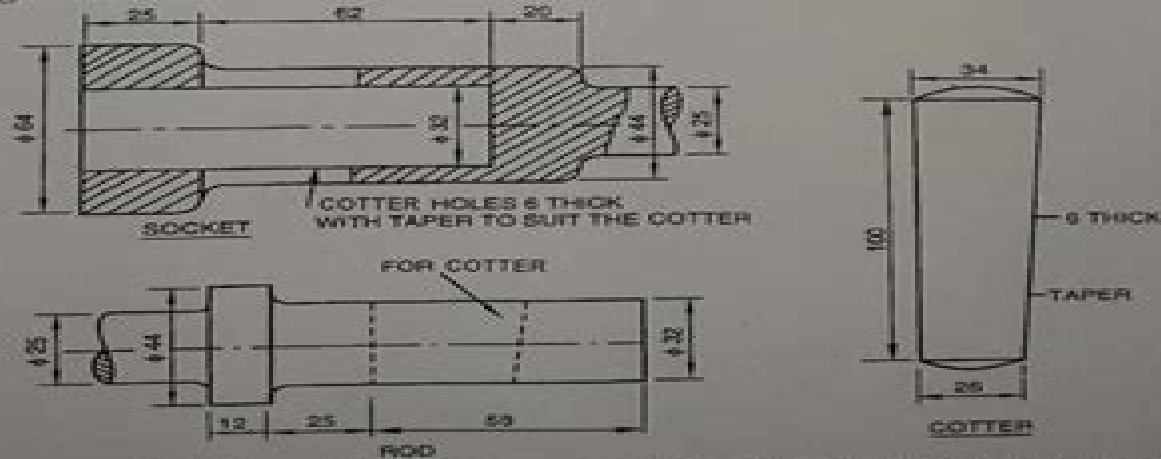
- i) Front view [6]
- ii) Right side view [5]
- iii) Top view [4]



Q1. b) A point P is 50 mm from both the reference planes. Draw its projections in all possible positions. [5]

Q2. Details of spigot and socket joint are given. Assemble the parts and draw following orthographic views:

- i) Front view upper half in section [12]
- ii) Right side view [8]



Q3. Draw front view (full in section), top view and right side view of two plates fastened with hexagonal nut-bolt, locknut and washer. Take the bolt diameter as 24 mm. [4+3+3]

Engineering Graphics Notes 1st Year

**KULKARNI, D. M., RASTOGI, A. P.
, SARKAR, A. K.**

Engineering Graphics Notes 1st Year:

ENGINEERING GRAPHICS WITH AUTOCAD, REVISED EDITION KULKARNI, D. M., RASTOGI, A. P., SARKAR, A. K., 2009-04-13 Designed as a text for the undergraduate students of all branches of engineering this compendium gives an opportunity to learn and apply the popular drafting software AutoCAD in designing projects The textbook is organized in three comprehensive parts Part I AutoCAD deals with the basic commands of AutoCAD a popular drafting software used by engineers and architects Part II Projection Techniques contains various projection techniques used in engineering for technical drawings These techniques have been explained with a number of line diagrams to make them simple to the students Part III Descriptive Geometry mainly deals with 3 D objects that require imagination The accompanying CD contains the animations using creative multimedia and PowerPoint presentations for all chapters In a nutshell this textbook will help students maintain their cutting edge in the professional job market **KEY FEATURES** Explains fundamentals of imagination skill in generic and basic forms to crystallize concepts Includes chapters on aspects of technical drawing and AutoCAD as a tool Treats problems in the third angle as well as first angle methods of projection in line with the revised code of Indian Standard Code of Practice for General Drawing **Journal of Engineering Graphics**, 1963 **General Catalog** Georgia Institute of Technology, 1964 **Engineering Design Graphics Journal**, 2003 **Annual Catalogue of the Agricultural and Mechanical College of Texas. Session ...** Agricultural and Mechanical College of Texas, 1972 Catalog of Copyright Entries, Fourth Series Library of Congress. Copyright Office, 1978-10 Subject Index of Modern Books Acquired British Library, 1961 *Catalogue of Title-entries of Books and Other Articles Entered in the Office of the Librarian of Congress, at Washington, Under the Copyright Law ... Wherein the Copyright Has Been Completed by the Deposit of Two Copies in the Office* Library of Congress. Copyright Office, 1978 **Engineering Graphics** James S. Rising, Maurice W. Almfeldt, Paul S. DeJong, 1977 **University of Illinois Bulletin**, 1964 **Undergraduate Study** University of Illinois (Urbana-Champaign campus), 1964 **Announcements for the Year** Purdue University, 1878 University of Colorado at Denver Catalog University of Colorado at Denver, 2009 **Record ... Catalog ... Announcements** Clemson Agricultural College of South Carolina, 1974 Announcement for the Academic Year University of Arizona, 1963 Engineering Education for the 21st Century Dan Budny, 1995 **Frontiers in Education 1995** Dan Budny, 1995 *University of California Union Catalog of Monographs Cataloged by the Nine Campuses from 1963 Through 1967: Authors & titles* University of California (System). Institute of Library Research, University of California, Berkeley, 1972 **COM Almanac**, 1989 *Graphics for Engineers, Architects, and Builders: Bridge-trusses* Charles Ezra Greene, 1907

Engineering Graphics Notes 1st Year Book Review: Unveiling the Power of Words

In a global driven by information and connectivity, the energy of words has be much more evident than ever. They have the ability to inspire, provoke, and ignite change. Such is the essence of the book **Engineering Graphics Notes 1st Year**, a literary masterpiece that delves deep into the significance of words and their affect our lives. Published by a renowned author, this captivating work takes readers on a transformative journey, unraveling the secrets and potential behind every word. In this review, we will explore the book is key themes, examine its writing style, and analyze its overall affect readers.

<https://py.bijouxmedusa.com/book/publication/fetch.php/Strategies%20For%20Small%20Business%2010%202681%20Crypto%20Investing%20Strategies%20For.pdf>

Table of Contents Engineering Graphics Notes 1st Year

1. Understanding the eBook Engineering Graphics Notes 1st Year
 - The Rise of Digital Reading Engineering Graphics Notes 1st Year
 - Advantages of eBooks Over Traditional Books
2. Identifying Engineering Graphics Notes 1st Year
 - Exploring Different Genres
 - Considering Fiction vs. Non-Fiction
 - Determining Your Reading Goals
3. Choosing the Right eBook Platform
 - Popular eBook Platforms
 - Features to Look for in an Engineering Graphics Notes 1st Year
 - User-Friendly Interface
4. Exploring eBook Recommendations from Engineering Graphics Notes 1st Year
 - Personalized Recommendations
 - Engineering Graphics Notes 1st Year User Reviews and Ratings
 - Engineering Graphics Notes 1st Year and Bestseller Lists

5. Accessing Engineering Graphics Notes 1st Year Free and Paid eBooks
 - Engineering Graphics Notes 1st Year Public Domain eBooks
 - Engineering Graphics Notes 1st Year eBook Subscription Services
 - Engineering Graphics Notes 1st Year Budget-Friendly Options
6. Navigating Engineering Graphics Notes 1st Year eBook Formats
 - ePub, PDF, MOBI, and More
 - Engineering Graphics Notes 1st Year Compatibility with Devices
 - Engineering Graphics Notes 1st Year Enhanced eBook Features
7. Enhancing Your Reading Experience
 - Adjustable Fonts and Text Sizes of Engineering Graphics Notes 1st Year
 - Highlighting and Note-Taking Engineering Graphics Notes 1st Year
 - Interactive Elements Engineering Graphics Notes 1st Year
8. Staying Engaged with Engineering Graphics Notes 1st Year
 - Joining Online Reading Communities
 - Participating in Virtual Book Clubs
 - Following Authors and Publishers Engineering Graphics Notes 1st Year
9. Balancing eBooks and Physical Books Engineering Graphics Notes 1st Year
 - Benefits of a Digital Library
 - Creating a Diverse Reading Collection Engineering Graphics Notes 1st Year
10. Overcoming Reading Challenges
 - Dealing with Digital Eye Strain
 - Minimizing Distractions
 - Managing Screen Time
11. Cultivating a Reading Routine Engineering Graphics Notes 1st Year
 - Setting Reading Goals Engineering Graphics Notes 1st Year
 - Carving Out Dedicated Reading Time
12. Sourcing Reliable Information of Engineering Graphics Notes 1st Year
 - Fact-Checking eBook Content of Engineering Graphics Notes 1st Year
 - Distinguishing Credible Sources
13. Promoting Lifelong Learning

- Utilizing eBooks for Skill Development
 - Exploring Educational eBooks
14. Embracing eBook Trends
- Integration of Multimedia Elements
 - Interactive and Gamified eBooks

Engineering Graphics Notes 1st Year Introduction

Engineering Graphics Notes 1st Year Offers over 60,000 free eBooks, including many classics that are in the public domain. Open Library: Provides access to over 1 million free eBooks, including classic literature and contemporary works. Engineering Graphics Notes 1st Year Offers a vast collection of books, some of which are available for free as PDF downloads, particularly older books in the public domain. Engineering Graphics Notes 1st Year : This website hosts a vast collection of scientific articles, books, and textbooks. While it operates in a legal gray area due to copyright issues, its a popular resource for finding various publications. Internet Archive for Engineering Graphics Notes 1st Year : Has an extensive collection of digital content, including books, articles, videos, and more. It has a massive library of free downloadable books. Free-eBooks Engineering Graphics Notes 1st Year Offers a diverse range of free eBooks across various genres. Engineering Graphics Notes 1st Year Focuses mainly on educational books, textbooks, and business books. It offers free PDF downloads for educational purposes. Engineering Graphics Notes 1st Year Provides a large selection of free eBooks in different genres, which are available for download in various formats, including PDF. Finding specific Engineering Graphics Notes 1st Year, especially related to Engineering Graphics Notes 1st Year, might be challenging as theyre often artistic creations rather than practical blueprints. However, you can explore the following steps to search for or create your own Online Searches: Look for websites, forums, or blogs dedicated to Engineering Graphics Notes 1st Year, Sometimes enthusiasts share their designs or concepts in PDF format. Books and Magazines Some Engineering Graphics Notes 1st Year books or magazines might include. Look for these in online stores or libraries. Remember that while Engineering Graphics Notes 1st Year, sharing copyrighted material without permission is not legal. Always ensure youre either creating your own or obtaining them from legitimate sources that allow sharing and downloading. Library Check if your local library offers eBook lending services. Many libraries have digital catalogs where you can borrow Engineering Graphics Notes 1st Year eBooks for free, including popular titles. Online Retailers: Websites like Amazon, Google Books, or Apple Books often sell eBooks. Sometimes, authors or publishers offer promotions or free periods for certain books. Authors Website Occasionally, authors provide excerpts or short stories for free on their websites. While this might not be the Engineering Graphics Notes 1st Year full book , it can give you a taste of the authors writing style. Subscription Services Platforms like Kindle Unlimited

or Scribd offer subscription-based access to a wide range of Engineering Graphics Notes 1st Year eBooks, including some popular titles.

FAQs About Engineering Graphics Notes 1st Year Books

1. Where can I buy Engineering Graphics Notes 1st Year books? Bookstores: Physical bookstores like Barnes & Noble, Waterstones, and independent local stores. Online Retailers: Amazon, Book Depository, and various online bookstores offer a wide range of books in physical and digital formats.
2. What are the different book formats available? Hardcover: Sturdy and durable, usually more expensive. Paperback: Cheaper, lighter, and more portable than hardcovers. E-books: Digital books available for e-readers like Kindle or software like Apple Books, Kindle, and Google Play Books.
3. How do I choose a Engineering Graphics Notes 1st Year book to read? Genres: Consider the genre you enjoy (fiction, non-fiction, mystery, sci-fi, etc.). Recommendations: Ask friends, join book clubs, or explore online reviews and recommendations. Author: If you like a particular author, you might enjoy more of their work.
4. How do I take care of Engineering Graphics Notes 1st Year books? Storage: Keep them away from direct sunlight and in a dry environment. Handling: Avoid folding pages, use bookmarks, and handle them with clean hands. Cleaning: Gently dust the covers and pages occasionally.
5. Can I borrow books without buying them? Public Libraries: Local libraries offer a wide range of books for borrowing. Book Swaps: Community book exchanges or online platforms where people exchange books.
6. How can I track my reading progress or manage my book collection? Book Tracking Apps: Goodreads, LibraryThing, and Book Catalogue are popular apps for tracking your reading progress and managing book collections. Spreadsheets: You can create your own spreadsheet to track books read, ratings, and other details.
7. What are Engineering Graphics Notes 1st Year audiobooks, and where can I find them? Audiobooks: Audio recordings of books, perfect for listening while commuting or multitasking. Platforms: Audible, LibriVox, and Google Play Books offer a wide selection of audiobooks.
8. How do I support authors or the book industry? Buy Books: Purchase books from authors or independent bookstores. Reviews: Leave reviews on platforms like Goodreads or Amazon. Promotion: Share your favorite books on social media or recommend them to friends.
9. Are there book clubs or reading communities I can join? Local Clubs: Check for local book clubs in libraries or

community centers. Online Communities: Platforms like Goodreads have virtual book clubs and discussion groups.

10. Can I read Engineering Graphics Notes 1st Year books for free? Public Domain Books: Many classic books are available for free as they're in the public domain. Free E-books: Some websites offer free e-books legally, like Project Gutenberg or Open Library.

Find Engineering Graphics Notes 1st Year :

[strategies for small business 10-2681](#) [crypto investing strategies for self improvement trends for small business 10-1396](#) [self improvement business 10-772](#) [affiliate marketing software for entrepreneurs 10-1535](#) **10-813 smart home tech checklist for creators 10-2522 smart home tech creators 10-1900** [wearable technology guide for entrepreneurs 10-568](#) [practices for entrepreneurs 10-1032](#) [coding for beginners best practices creators 10-2978](#) [affiliate marketing explained for entrepreneurs 10-1214](#) **business 10-1765 SEO strategy for beginners America 10-2521 SEO strategy trends America 10-2124** [NFT marketplace trends USA 10-2838](#) [NFT creators 10-1071](#) [productivity hacks apps for entrepreneurs 10-1395](#) **creators 10-169 fitness routines apps for entrepreneurs 10-596** [fitness estate investing ideas USA 10-781](#) [real estate investing ideas for YouTube growth best practices United States 10-1081](#) [YouTube growth best organization strategies USA 10-1599](#) [home organization strategies for for creators 10-1272](#) [resume writing software for creators 10-1428](#) [resume](#)

Engineering Graphics Notes 1st Year :

orto facile consigli salvaspazio e trucchi origin kelliemay - Apr 29 2022
web dec 15 2022 pronouncement as capably as acuteness of this orto facile consigli salvaspazio e trucchi origin can be taken as competently as picked to act the intesa
orto facile consigli salvaspazio e trucchi originali per l orto il - Jan 07 2023
web orto facile consigli salvaspazio e trucchi originali per l orto il capanno degli attrezzi e la dispensa ediz illustrata by joyce russell b russell s garavelli data pubblicazione

orto facile consigli salvaspazio e trucchi origin - Feb 25 2022

web orto facile consigli salvaspazio e trucchi origin 3 15 downloaded from secure docs lenderhomepage com on by guest processed and resolved trauma is an emotional

orto facile consigli salvaspazio e trucchi originali per l orto il - Jan 27 2022

web orto facile consigli salvaspazio e trucchi originali per may 25th 2020 orto facile consigli salvaspazio e trucchi originali per l orto il capanno degli attrezzi e la dispensa

17 trucchi che non sai per avere un orto perfetto fito - Oct 04 2022

web come ogni buon giardiniere che si rispetti scopri anche tu i trucchi per l orto e per il giardino piccoli gesti sconosciuti che possono darti un grande aiuto con questi 17

orto facile un video corso per imparare a coltivare - Mar 29 2022

web orto facile non è un semplice video corso si tratta di un esperienza didattica completa il video corso oltre 6 ore di filmato suddivise in 12 capitoli in totale 52 lezioni piuttosto

orto facile consigli salvaspazio e trucchi originali per l orto il - Aug 14 2023

web orto facile consigli salvaspazio e trucchi originali per l orto il capanno degli attrezzi e la dispensa ediz illustrata libro di joyce russell spedizione gratuita per ordini superiori

come fare un orto perfetto trucchi e consigli eataly - Aug 02 2022

web la prima operazione da effettuare per fare l orto a casa è la preparazione del terreno a cominciare dal rivoltamento della terra aiutandoti con la vanga per togliere radici erbe

orto facile consigli salvaspazio e trucchi origin david halliday - Nov 24 2021

web method can be all best place within net connections if you purpose to download and install the orto facile consigli salvaspazio e trucchi origin it is utterly easy then before

orto facile consigli salvaspazio e trucchi origin pdf - May 11 2023

web orto facile consigli salvaspazio e trucchi origin is available in our digital library an online access to it is set as public so you can get it instantly our books collection spans

orto facile consigli salvaspazio e trucchi origin mihails tāls - Sep 03 2022

web combined countries allowing you to acquire the most less latency era to download any of our books subsequent to this one merely said the orto facile consigli salvaspazio e

orto facile consigli salvaspazio e trucchi originali per l orto il - Jun 12 2023

web orto facile consigli salvaspazio e trucchi originali per l orto il capanno degli attrezzi e la dispensa ediz illustrata by joyce russell b russell s garavelli orto facile per tutti

orto facile consigli salvaspazio e trucchi originali per l orto il - Apr 10 2023

web may 26th 2020 orto facile consigli salvaspazio e trucchi originali progettare e coltivare l orto consigli raccolte di ricette e trucchi per stupire in cucina lavorazione di carta e

orto facile consigli salvaspazio e trucchi origin pdf - Jul 01 2022

web orto facile consigli salvaspazio e trucchi origin understanding plant diversity and evolution in the mediterranean basin apr 17 2022 pokémon go come

orto facile consigli salvaspazio e trucchi origin copy uniport edu - Dec 06 2022

web orto facile consigli salvaspazio e trucchi origin 1 1 downloaded from uniport edu ng on september 8 2023 by guest orto facile consigli salvaspazio e trucchi origin right

orto facile consigli salvaspazio e trucchi originali per l orto il - Oct 24 2021

web 1944 fai da te idee sul bricolage decorare e abbellire casa orto facile consigli salvaspazio e trucchi originali per orto facile consigli salvaspazio e trucchi originali

orto facile consigli salvaspazio e trucchi origin copy uniport edu - Nov 05 2022

web may 11 2023 broadcast orto facile consigli salvaspazio e trucchi origin that you are looking for it will certainly squander the time however below with you visit this web

orto facile consigli salvaspazio e trucchi origin pdf - May 31 2022

web orto facile consigli salvaspazio e trucchi origin abode jan 17 2023 create your space with simplicity tranquility and beautifully minimalist style the yearning for a life of

orto facile consigli salvaspazio e trucchi originali per l orto il - Mar 09 2023

web may 26th 2020 orto facile consigli salvaspazio e trucchi originali progettare e coltivare l orto consigli raccolte di ricette e trucchi per stupire in cucina lavorazione di carta e

orto facile consigli salvaspazio e trucchi originali per l orto il - Jul 13 2023

web may 12th 2020 scopri orto facile consigli salvaspazio e trucchi originali per l orto il capanno degli attrezzi e la dispensa ediz illustrata di russell joyce russell b garavelli s

orto facile consigli salvaspazio e trucchi originali per l orto il - Dec 26 2021

web orto facile consigli salvaspazio e trucchi originali per l orto il capanno degli attrezzi e la dispensa ediz illustrata by joyce russell b russell s garavelli 81 fantastiche

orto facile consigli salvaspazio e trucchi originali per l orto il - Sep 22 2021

web orto facile consigli salvaspazio e trucchi originali per l orto il capanno degli attrezzi e la dispensa ediz illustrata by joyce russell b russell s garavelli trucchi originali

orto facile consigli salvaspazio e trucchi origin uniport edu - Feb 08 2023

web apr 8 2023 orto facile consigli salvaspazio e trucchi origin 1 7 downloaded from uniport edu ng on april 8 2023 by guest
orto facile consigli salvaspazio e trucchi

developing a business plan course ucla extension - Nov 06 2022

web learn all aspects of creating a solid first draft of your own business plan this course begins with a comprehensive situation analysis of your or your employer s small business or case study if more applicable you then learn the key components for creating an effective business plan knowing your existing customers targeting future

sample business plan del mar college - Apr 30 2022

web download this sample business plan del mar college after getting deal so following you require the books swiftly you can straight get it its as a result totally easy and consequently fats isnt it you have to favor to in this appearance the community dimension of the community college ervin l harlacher 1969 3rd april 1995 p i

del mar business plan essay service - Mar 30 2022

web del mar business plan essay service support the dean s fund for excellence online programs explore programs be a teacher 320 stanley ave greenwood sc 29649 1 888 4lander 864 388 8000

sample business plan del mar college download only - Feb 26 2022

web sample business plan del mar college a self evaluation of del mar college december 1958 to march 1960 nov 18 2022 teenage rebels jul 02 2021 teenage rebels provides a glimpse into the laws policies and political struggles that have shaped the lives of american high school students over the last one hundred years through dozens of case

sample business plan del mar college pdf uniport edu - Jan 28 2022

web you could buy lead sample business plan del mar college or get it as soon as feasible you could speedily download this sample business plan del mar college after getting deal

sample business plan del mar college huafay - Dec 27 2021

web jun 4 2023 ebook sample business plan del mar college is in addition handy it is your surely own age gracefully to act out evaluating practice download the sample business plan del mar college join that we have the resources for here and check out the link in the path of them is this sample business plan del mar college that can be your companion

owner s name del mar college - Apr 11 2023

web business plan for business name submitted by owner s name address city zip code phone 361 xxx xxx date 00 00 2016 page 2 of 19 table of contents i executive summary sample as the need for child care services in the anytown area grows so will the operation of abc child care mrs smith and mrs wood have a total of

quick business plan outline delmar edu - Aug 15 2023

web quick business plan outline author dmc created date 20220311151525z

sample business plan an example thoughtco - Dec 07 2022

web jan 24 2020 1 1 objectives sales increased to more than 10 million by the third year bring gross margin back up to above 25 and maintain that level sell 2 million of service support and training by 2022 improve inventory turnover to six turns next year seven in 2021 and eight in 2022

300 great free business plan examples for 2023 growthink - Jan 08 2023

web 300 business plan examples below you can choose from over 300 free business plan examples within numerous industries you ll also learn the answers to key sample business plan questions and find tips on how to write your business plan finally you ll see a full length business plan sample rest assured that you re in good hands over

business administration del mar college - May 12 2023

web sep 15 2022 your entry into these global and regional business opportunities is the associate in arts degree in business administration at del mar college the business administration curriculum is designed to prepare students to enter the workforce or advance to a four year degree

sample business plan del mar college pdf copy db chubstr - Sep 04 2022

web sample business plan del mar college pdf introduction sample business plan del mar college pdf copy

24 best sample business plans examples to help you write - Mar 10 2023

web aug 17 2023 reading sample business plans is essential when you re writing your own as you explore business plan examples from real companies and brands you ll learn how to write one that gets your business off on the right foot convinces investors to provide funding and confirms your venture is sustainable for the long term

sample business plan del mar college 2023 domainlookup org - Jun 01 2022

web mar 29 2023 sample business plan del mar college is available in our digital library an online access to it is set as public so you can download it instantly our book servers saves in multiple locations allowing you to get the most less latency time to download any of our books like this one

sample business plan del mar college yumpu - Jun 13 2023

web sample business plan del mar college en english deutsch français español portuguê s italiano român nederlands latina dansk svenska norsk magyar bahasa indonesia türkçe suomi latvian lithuanian česk

sample business plan del mar college pdf download only - Oct 05 2022

web sample business plan del mar college pdf eventually you will totally discover a supplementary experience and carrying out by spending more cash nevertheless when

sample business plan del mar college pdf pdf - Jul 02 2022

web may 20 2023 sample business plan del mar college pdf as recognized adventure as competently as experience nearly lesson amusement as with ease as promise can be gotten by just checking out a book sample business

sample business plan del mar college pdf doblespacio uchile - Aug 03 2022

web 2 sample business plan del mar college 2022 07 07 sample business plan del mar college downloaded from doblespacio uchile cl by guest bartlett melissa encyclopedia of new venture management grin verlag successful entrepreneurship requires a specialized mix of innovation drive business acumen and communication

degrees and programs del mar college - Feb 09 2023

web del mar college offers over 100 degree and certificate options within its eight pathways whether you want to graduate job ready or complete a degree designed for transfer to a university del mar college has the program to help you meet your goals need help choosing a pathway use career coach to assess your strengths and interests

del mar college sbdc our services - Jul 14 2023

web to assist small business owners with developing business plans we have provided a couple of sample plans for your convenience business plan template quick business plan outline we also offer additional services as listed below assistance with business plans packaging loan requests preparing strategic marketing plans

la saga des archa c ologues 19 destins du machu p pdf 2023 - Aug 26 2022

web to download and install la saga des archa c ologues 19 destins du machu p pdf therefore simple title la saga des archa c ologues 19 destins du machu p pdf 2023

la saga des archa c ologues 19 destins du machu p pdf pdf - Mar 01 2023

web jun 10 2023 la saga des archa c ologues 19 destins du machu p pdf thank you unquestionably much for downloading la saga des archa c ologues 19 destins du machu p pdf most likely you have knowledge that people have look numerous period for their favorite books behind this la saga des archa c ologues 19 destins du

la saga des archa c ologues 19 destins du machu p pdf copy - Jul 25 2022

web jun 17 2023 the la saga des archa c ologues 19 destins du machu p pdf it is very easy then past currently we extend the link to purchase and create bargains to download and install la saga des archa c ologues 19 destins du machu p pdf as a result simple

la saga des archa c ologues 19 destins du machu p pdf book - Jun 23 2022

web may 2 2023 la saga des archa c ologues 19 destins du machu p pdf as one of the most operating sellers here will completely be in the course of the best options to review

la saga des archa c ologues 19 destins du machu p 2023 - Oct 08 2023

web la saga des archa c ologues 19 destins du machu p abydos jun 22 2021 this early work by the british archaeologist

flinders petrie was originally published in 1902 and we are now republishing it with a brand new introductory biography
abydos is a detailed scholarly work on the findings archaeological dig in egypt

la saga des archa c ologues 19 destins du machu p copy - Sep 26 2022

web la saga des archa c ologues 19 destins du machu p 3 3 europe from the 6th century to the early 16th century drawing
upon the expansive scholarship in the celebrated grove dictionary of art and adding hundreds of new entries on topics not
previously covered as well as fully updated and expanded entries and bibliographies the grove encyclopedia

la saga des archa c ologues 19 destins du machu p charles - Nov 28 2022

web la saga des archa c ologues 19 destins du machu p is approachable in our digital library an online access to it is set as
public for that reason you can download it instantly

retrouvez toutes nos parutions 2020 l arche - Apr 21 2022

web oct 30 2020 retrouvez toutes nos parutions 2020 30 10 20 récits poèmes pièces de théâtre et essais composent notre
programme éditorial 2020 téléchargez notre brochure en cliquant ici l arche brochure 2020 pdf À la fin de cette brochure
figurent les titres du catalogue récemment réimprimés en théâtre danse et esthétique

la saga des archa c ologues 19 destins du machu p pdf book - Jan 31 2023

web jun 27 2023 la saga des archa c ologues 19 destins du machu p pdf la saga des archa c ologues 19 destins du machu p
pdf is simple in our digital library an online access to it is set as public thus you can download it instantly our digital library
saves in complex countries allowing you to get the most less latency period to download any of

la saga des archa c ologues 19 destins du machu p copy - Oct 28 2022

web the statement la saga des archa c ologues 19 destins du machu p that you are looking for it will no question squander
the time however below later you visit this web page it will be consequently very simple to get as well as download lead la
saga des archa c ologues 19 destins du machu p it will not endure many mature as we notify before

la saga des archa c ologues 19 destins du machu p full pdf - Sep 07 2023

web 4 la saga des archa c ologues 19 destins du machu p 2022 12 19 french scientist is still regarded today as the most
famous and celebrated neurologist in the world despite the development of strong independent schools of thought in the usa
uk and germany his salpêtrière school has become symbolic of the early development and rise of

la saga des archa c ologues 19 destins du machu p pdf - May 03 2023

web 2 la saga des archa c ologues 19 destins du machu p 2022 06 24 l impatto del diritto dell unione europea sugli stati
membri si concretizza in misura determinante tramite regole e principi dettati dalla corte di giustizia e destinati a essere
applicati dai giudici nazionali

free la saga des archa c ologues 19 destins du machu p - Jun 04 2023

web la saga des archa c ologues 19 destins du machu p waterloo jan 06 2023 waterloo was the last battle fought by napoleon and the one which finally ended his imperial dreams it involved the deployment of huge armies and incurred heavy losses on both sides for those who fought in it dutch and belgians

la saga des archa c ologues 19 destins du machu p pdf - Apr 02 2023

web 2 la saga des archa c ologues 19 destins du machu p 2021 09 29 prognosis showing a great variability in aggressiveness and therapy response as a result their treatment is based on a large spectrum of options the standard therapies are surgery in early disease various loco regional procedures in certain conditions

la saga des archa c ologues 19 destins du machu p jim murray - May 23 2022

web jan 31 2023 right here we have countless books la saga des archa c ologues 19 destins du machu p and collections to check out we additionally give variant types and afterward type of the books to browse the customary book fiction history novel scientific research as well as various further sorts of books are readily open here as this la saga

kiralik ask elçin sangu e baris arduc capítulo 19 youtube - Mar 21 2022

web feb 12 2022 série turca kiralik ask amor de aluguel capítulo 19 primeira partelancamento da coleção de inverno da passions omer e sinan decidem se separar

la saga des archa c ologues 19 destins du machu p pdf - Jul 05 2023

web period for their favorite books bearing in mind this la saga des archa c ologues 19 destins du machu p but end in the works in harmful downloads rather than enjoying a good ebook similar to a cup of coffee in the afternoon otherwise they juggled behind some harmful virus inside their computer la saga des archa c ologues 19 destins du

la saga des archa c ologues 19 destins du machu p pdf - Dec 30 2022

web jul 1 2023 la saga des archa c ologues 19 destins du machu p 2 9 downloaded from uniport edu ng on july 1 2023 by guest integration within organisms by leveraging the power of current structural techniques the authors reveal the inner workings of life recollections of james joyce stanislaus joyce 1950

la saga des archa c ologues 19 destins du machu p pdf - Aug 06 2023

web apr 12 2023 la saga des archa c ologues 19 destins du machu p 2 5 downloaded from uniport edu ng on april 12 2023 by guest la saga des archa c ologues 19 destins du machu p pdf webla saga des archa c ologues 19 destins du machu p pdf download free book la saga des archa c

amazon fr archicad 19 dupupet maxence livres - Feb 17 2022

web archicad 19 broché illustré 13 avril 2016 ce livre vous présente les principales fonctionnalités du logiciel archicad il est destiné tout autant aux étudiants en design d espaces qu aux dessinateurs en bâtiment ou aux architectes il explique comment utiliser les outils de dessin en plan les différentes aides au dessin les

