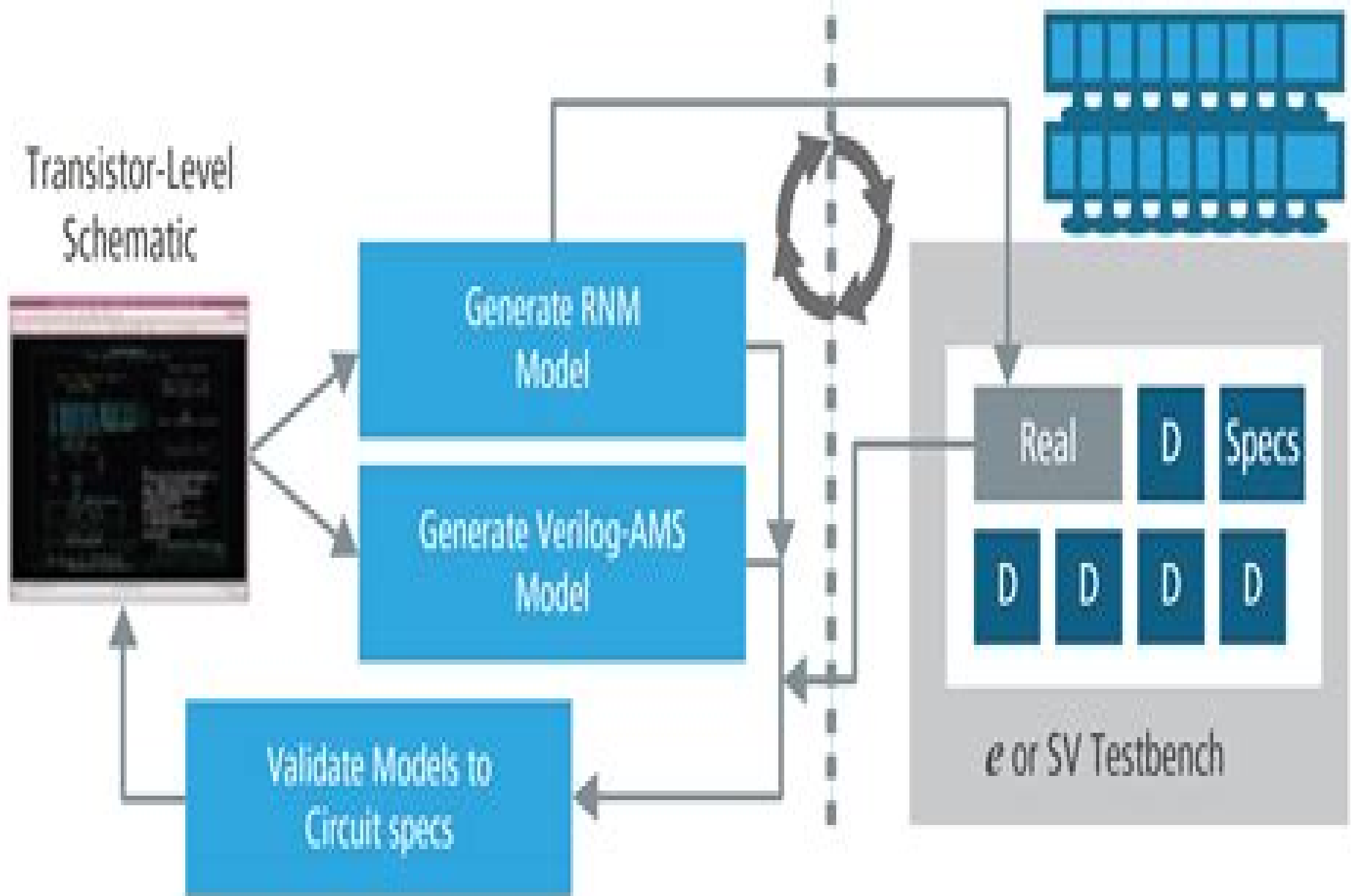


Analog Domain

Mixed-Signal Verification

Digital Domain



Chip Package Co Design Of Integrated Mixed Signal Systems

Scott C. Dulebohn



Chip Package Co Design Of Integrated Mixed Signal Systems:

EDA for IC Implementation, Circuit Design, and Process Technology Luciano Lavagno, Louis Scheffer, Grant Martin, 2018-10-03 Presenting a comprehensive overview of the design automation algorithms tools and methodologies used to design integrated circuits the Electronic Design Automation for Integrated Circuits Handbook is available in two volumes The second volume EDA for IC Implementation Circuit Design and Process Technology thoroughly examines real time logic to GDSII a file format used to transfer data of semiconductor physical layout analog mixed signal design physical verification and technology CAD TCAD Chapters contributed by leading experts authoritatively discuss design for manufacturability at the nanoscale power supply network design and analysis design modeling and much more Save on the complete set

Electronic Design Automation for IC Implementation, Circuit Design, and Process Technology Luciano Lavagno, Igor L. Markov, Grant Martin, Louis K. Scheffer, 2017-02-03 The second of two volumes in the Electronic Design Automation for Integrated Circuits Handbook Second Edition Electronic Design Automation for IC Implementation Circuit Design and Process Technology thoroughly examines real time logic RTL to GDSII a file format used to transfer data of semiconductor physical layout design flow analog mixed signal design physical verification and technology computer aided design TCAD Chapters contributed by leading experts authoritatively discuss design for manufacturability DFM at the nanoscale power supply network design and analysis design modeling and much more New to This Edition Major updates appearing in the initial phases of the design flow where the level of abstraction keeps rising to support more functionality with lower non recurring engineering NRE costs Significant revisions reflected in the final phases of the design flow where the complexity due to smaller and smaller geometries is compounded by the slow progress of shorter wavelength lithography New coverage of cutting edge applications and approaches realized in the decade since publication of the previous edition these are illustrated by new chapters on 3D circuit integration and clock design Offering improved depth and modernity Electronic Design Automation for IC Implementation Circuit Design and Process Technology provides a valuable state of the art reference for electronic design automation EDA students researchers and professionals *Electronic Design Automation for IC System Design, Verification, and Testing* Luciano Lavagno, Igor L. Markov, Grant Martin, Louis K. Scheffer, 2017-12-19 The first of two volumes in the Electronic Design Automation for Integrated Circuits Handbook Second Edition Electronic Design Automation for IC System Design Verification and Testing thoroughly examines system level design microarchitectural design logic verification and testing Chapters contributed by leading experts authoritatively discuss processor modeling and design tools using performance metrics to select microprocessor cores for integrated circuit IC designs design and verification languages digital simulation hardware acceleration and emulation and much more New to This Edition Major updates appearing in the initial phases of the design flow where the level of abstraction keeps rising to support more functionality with lower non recurring engineering NRE costs Significant revisions reflected in the final phases

of the design flow where the complexity due to smaller and smaller geometries is compounded by the slow progress of shorter wavelength lithography New coverage of cutting edge applications and approaches realized in the decade since publication of the previous edition these are illustrated by new chapters on high level synthesis system on chip SoC block based design and back annotating system level models Offering improved depth and modernity Electronic Design Automation for IC System Design Verification and Testing provides a valuable state of the art reference for electronic design automation EDA students researchers and professionals

EDA for IC System Design, Verification, and Testing Louis Scheffer, Luciano Lavagno, Grant Martin, 2018-10-03 Presenting a comprehensive overview of the design automation algorithms tools and methodologies used to design integrated circuits the Electronic Design Automation for Integrated Circuits Handbook is available in two volumes The first volume EDA for IC System Design Verification and Testing thoroughly examines system level design microarchitectural design logical verification and testing Chapters contributed by leading experts authoritatively discuss processor modeling and design tools using performance metrics to select microprocessor cores for IC designs design and verification languages digital simulation hardware acceleration and emulation and much more Save on the complete set *Tutorial Guide*, 2003 This text covers topics including leading edge packaging technology Pb free interconnections quality and reliability issues of portable products high density substrates and embedded components and leaded and lead free solder characterization and modelling *Proceedings*, 1999 [Electrical Performance of Electronic Packaging](#), 2003

Chip and Package Co-design for Mixed-signal Systems: SoC Versus SoP Meigen Shen, Kungliga Tekniska högskolan. Institutionen för mikroelektronik och informationsteknik, 2003

Dissertation Abstracts International, 2006 *IEEE Circuits & Devices*, 2003 [XII Symposium on Integrated Circuits and Systems Design](#) Sociedade Brasileira de Computação, IFIP WG 10.5, 1999 Topics in these conference papers include microprocessors design modelling co design analog design high level synthesis digital design synthesis and reconfiguration CAD tools and IP cores *The International Journal of Microcircuits and Electronic Packaging*, 2000 *IST 2001*, 2001 The Information Society is taking shape around us Already information society technologies IST affect every aspect of how we live work and play and they seem set to have an even greater impact in the future To realise the full potential of the Information Society however its benefits should be accessible to all The Information Society Technologies Programme part of the EU s Fifth Framework Programme for research and technological development is working towards a vision of the future that puts the user at the centre of IST development In this vision the technology is almost invisible as it blends into our everyday environment People are able to access IST applications and services wherever they are whenever they want and in the form that is most natural for them This book presents a snapshot of the IST Programme at the present time describing technical challenges and policy issues addressed by the work programme and highlighting some of the on going RTD projects It focuses on the use of IST within three key settings by individuals and in personal spaces by enterprises

and in the workplace and by public services and society at large Enabling technologies which underpin future applications and services across these scenarios are also described Covering IST development from many different perspectives the book shows how the Programme is contributing to an Information Society where technology serves the needs of people EDN ,2004 **International Symposium on Quality Electronic Design** ,2002 Annotation Fifty one papers and 21 posters from the March 2002 symposium report current research in deep submicron integrated circuit design and development The sessions address interconnect extraction and modeling design for process variations metrics power and noise management verification signal integrity and low power design techniques Some of the topics are transition aware global signaling TAGS the interoperability of EDA tools for sequential logic synthesis statistical methods for the determination of process corners power supply noise suppression via clock skew scheduling and the relation between SAT and BDDs for equivalence checking No subject index Annotation copyrighted by Book News Inc Portland OR **Semiconductor International** ,2000 **Fourth International Symposium on Quality Electronic Design** ,2003 ISQED looks into the research development and application of design techniques and methods design processes and EDA design methodologies and tools that address issues that impact the quality of the realization of designs into physical integrated circuits It emphasizes a holistic approach toward design quality and to highlight and accelerate cooperation among the IC Design EDA Semiconductor Process Technology and Manufacturing communities EDN, Electrical Design News ,1996 **IEEE International Symposium on Industrial Electronics Proceedings** ,2004 *IEEE Transactions on Circuits and Systems* ,2006

Recognizing the showing off ways to get this books **Chip Package Co Design Of Integrated Mixed Signal Systems** is additionally useful. You have remained in right site to start getting this info. acquire the Chip Package Co Design Of Integrated Mixed Signal Systems connect that we pay for here and check out the link.

You could buy lead Chip Package Co Design Of Integrated Mixed Signal Systems or get it as soon as feasible. You could speedily download this Chip Package Co Design Of Integrated Mixed Signal Systems after getting deal. So, bearing in mind you require the ebook swiftly, you can straight acquire it. Its fittingly no question simple and thus fats, isnt it? You have to favor to in this proclaim

https://py.bijouxmedusa.com/files/Resources/Download_PDFS/online%20software%20for%20small%20business%2027%2012%2014%20freelancing%20online%20software.pdf

Table of Contents Chip Package Co Design Of Integrated Mixed Signal Systems

1. Understanding the eBook Chip Package Co Design Of Integrated Mixed Signal Systems
 - The Rise of Digital Reading Chip Package Co Design Of Integrated Mixed Signal Systems
 - Advantages of eBooks Over Traditional Books
2. Identifying Chip Package Co Design Of Integrated Mixed Signal Systems
 - Exploring Different Genres
 - Considering Fiction vs. Non-Fiction
 - Determining Your Reading Goals
3. Choosing the Right eBook Platform
 - Popular eBook Platforms
 - Features to Look for in an Chip Package Co Design Of Integrated Mixed Signal Systems
 - User-Friendly Interface
4. Exploring eBook Recommendations from Chip Package Co Design Of Integrated Mixed Signal Systems
 - Personalized Recommendations
 - Chip Package Co Design Of Integrated Mixed Signal Systems User Reviews and Ratings

- Chip Package Co Design Of Integrated Mixed Signal Systems and Bestseller Lists
- 5. Accessing Chip Package Co Design Of Integrated Mixed Signal Systems Free and Paid eBooks
 - Chip Package Co Design Of Integrated Mixed Signal Systems Public Domain eBooks
 - Chip Package Co Design Of Integrated Mixed Signal Systems eBook Subscription Services
 - Chip Package Co Design Of Integrated Mixed Signal Systems Budget-Friendly Options
- 6. Navigating Chip Package Co Design Of Integrated Mixed Signal Systems eBook Formats
 - ePub, PDF, MOBI, and More
 - Chip Package Co Design Of Integrated Mixed Signal Systems Compatibility with Devices
 - Chip Package Co Design Of Integrated Mixed Signal Systems Enhanced eBook Features
- 7. Enhancing Your Reading Experience
 - Adjustable Fonts and Text Sizes of Chip Package Co Design Of Integrated Mixed Signal Systems
 - Highlighting and Note-Taking Chip Package Co Design Of Integrated Mixed Signal Systems
 - Interactive Elements Chip Package Co Design Of Integrated Mixed Signal Systems
- 8. Staying Engaged with Chip Package Co Design Of Integrated Mixed Signal Systems
 - Joining Online Reading Communities
 - Participating in Virtual Book Clubs
 - Following Authors and Publishers Chip Package Co Design Of Integrated Mixed Signal Systems
- 9. Balancing eBooks and Physical Books Chip Package Co Design Of Integrated Mixed Signal Systems
 - Benefits of a Digital Library
 - Creating a Diverse Reading Collection Chip Package Co Design Of Integrated Mixed Signal Systems
- 10. Overcoming Reading Challenges
 - Dealing with Digital Eye Strain
 - Minimizing Distractions
 - Managing Screen Time
- 11. Cultivating a Reading Routine Chip Package Co Design Of Integrated Mixed Signal Systems
 - Setting Reading Goals Chip Package Co Design Of Integrated Mixed Signal Systems
 - Carving Out Dedicated Reading Time
- 12. Sourcing Reliable Information of Chip Package Co Design Of Integrated Mixed Signal Systems
 - Fact-Checking eBook Content of Chip Package Co Design Of Integrated Mixed Signal Systems
 - Distinguishing Credible Sources

13. Promoting Lifelong Learning
 - Utilizing eBooks for Skill Development
 - Exploring Educational eBooks
14. Embracing eBook Trends
 - Integration of Multimedia Elements
 - Interactive and Gamified eBooks

Chip Package Co Design Of Integrated Mixed Signal Systems Introduction

In the digital age, access to information has become easier than ever before. The ability to download Chip Package Co Design Of Integrated Mixed Signal Systems has revolutionized the way we consume written content. Whether you are a student looking for course material, an avid reader searching for your next favorite book, or a professional seeking research papers, the option to download Chip Package Co Design Of Integrated Mixed Signal Systems has opened up a world of possibilities. Downloading Chip Package Co Design Of Integrated Mixed Signal Systems provides numerous advantages over physical copies of books and documents. Firstly, it is incredibly convenient. Gone are the days of carrying around heavy textbooks or bulky folders filled with papers. With the click of a button, you can gain immediate access to valuable resources on any device. This convenience allows for efficient studying, researching, and reading on the go. Moreover, the cost-effective nature of downloading Chip Package Co Design Of Integrated Mixed Signal Systems has democratized knowledge. Traditional books and academic journals can be expensive, making it difficult for individuals with limited financial resources to access information. By offering free PDF downloads, publishers and authors are enabling a wider audience to benefit from their work. This inclusivity promotes equal opportunities for learning and personal growth. There are numerous websites and platforms where individuals can download Chip Package Co Design Of Integrated Mixed Signal Systems. These websites range from academic databases offering research papers and journals to online libraries with an expansive collection of books from various genres. Many authors and publishers also upload their work to specific websites, granting readers access to their content without any charge. These platforms not only provide access to existing literature but also serve as an excellent platform for undiscovered authors to share their work with the world. However, it is essential to be cautious while downloading Chip Package Co Design Of Integrated Mixed Signal Systems. Some websites may offer pirated or illegally obtained copies of copyrighted material. Engaging in such activities not only violates copyright laws but also undermines the efforts of authors, publishers, and researchers. To ensure ethical downloading, it is advisable to utilize reputable websites that prioritize the legal distribution of content. When downloading Chip Package Co Design Of Integrated Mixed Signal Systems, users should also consider the potential security risks associated with online platforms. Malicious actors may

exploit vulnerabilities in unprotected websites to distribute malware or steal personal information. To protect themselves, individuals should ensure their devices have reliable antivirus software installed and validate the legitimacy of the websites they are downloading from. In conclusion, the ability to download Chip Package Co Design Of Integrated Mixed Signal Systems has transformed the way we access information. With the convenience, cost-effectiveness, and accessibility it offers, free PDF downloads have become a popular choice for students, researchers, and book lovers worldwide. However, it is crucial to engage in ethical downloading practices and prioritize personal security when utilizing online platforms. By doing so, individuals can make the most of the vast array of free PDF resources available and embark on a journey of continuous learning and intellectual growth.

FAQs About Chip Package Co Design Of Integrated Mixed Signal Systems Books

1. Where can I buy Chip Package Co Design Of Integrated Mixed Signal Systems books? Bookstores: Physical bookstores like Barnes & Noble, Waterstones, and independent local stores. Online Retailers: Amazon, Book Depository, and various online bookstores offer a wide range of books in physical and digital formats.
2. What are the different book formats available? Hardcover: Sturdy and durable, usually more expensive. Paperback: Cheaper, lighter, and more portable than hardcovers. E-books: Digital books available for e-readers like Kindle or software like Apple Books, Kindle, and Google Play Books.
3. How do I choose a Chip Package Co Design Of Integrated Mixed Signal Systems book to read? Genres: Consider the genre you enjoy (fiction, non-fiction, mystery, sci-fi, etc.). Recommendations: Ask friends, join book clubs, or explore online reviews and recommendations. Author: If you like a particular author, you might enjoy more of their work.
4. How do I take care of Chip Package Co Design Of Integrated Mixed Signal Systems books? Storage: Keep them away from direct sunlight and in a dry environment. Handling: Avoid folding pages, use bookmarks, and handle them with clean hands. Cleaning: Gently dust the covers and pages occasionally.
5. Can I borrow books without buying them? Public Libraries: Local libraries offer a wide range of books for borrowing. Book Swaps: Community book exchanges or online platforms where people exchange books.
6. How can I track my reading progress or manage my book collection? Book Tracking Apps: Goodreads, LibraryThing, and Book Catalogue are popular apps for tracking your reading progress and managing book collections. Spreadsheets: You can create your own spreadsheet to track books read, ratings, and other details.
7. What are Chip Package Co Design Of Integrated Mixed Signal Systems audiobooks, and where can I find them?

- Audiobooks: Audio recordings of books, perfect for listening while commuting or multitasking. Platforms: Audible, LibriVox, and Google Play Books offer a wide selection of audiobooks.
8. How do I support authors or the book industry? Buy Books: Purchase books from authors or independent bookstores. Reviews: Leave reviews on platforms like Goodreads or Amazon. Promotion: Share your favorite books on social media or recommend them to friends.
 9. Are there book clubs or reading communities I can join? Local Clubs: Check for local book clubs in libraries or community centers. Online Communities: Platforms like Goodreads have virtual book clubs and discussion groups.
 10. Can I read Chip Package Co Design Of Integrated Mixed Signal Systems books for free? Public Domain Books: Many classic books are available for free as they're in the public domain. Free E-books: Some websites offer free e-books legally, like Project Gutenberg or Open Library.

Find Chip Package Co Design Of Integrated Mixed Signal Systems :

online software for small business 27-1214 freelancing online software
dropshipping business strategies USA 27-708 dropshipping business tips
comparison for creators 27-1700 crypto investing comparison for small
retirement planning step by step USA 27-75 retirement planning step by
startups 27-2277 mobile app ideas step by step for startups 27-2976
27-1637 budget travel roadmap America 27-259 budget travel roadmap USA
27-2639 personal finance guide for creators 27-1210 personal finance
monetization strategies for entrepreneurs 27-2710 blog monetization
wearable technology examples America 27-2104 wearable technology
healthy recipes best practices for creators 27-2040 healthy recipes best
entrepreneurs 27-1146 credit score improvement tips America 27-2396
USA 27-2630 mobile app ideas case study USA 27-1934 mobile app ideas
recipes explained United States 27-2450 healthy recipes explained for
freelancing online strategies America 27-1317 freelancing online
USA 27-2180 crypto trading trends for creators 27-1728 crypto trading

Chip Package Co Design Of Integrated Mixed Signal Systems :

Astro 18fsx wiring diagram - Boating Forum Jul 30, 2012 — The front panel has three spare wires in the harness...Which ones can I use to connect the df? Where can I get a wiring diagram for this boat? Thread: 1996 Astro ISO Maunual Jan 27, 2020 — Does anyone out there have a wire diagram or Manual for these older bass boats? ... I have a 1995 Astro with the wiring diagrams attached to the ... astro wiring diagram Questions & Answers (with Pictures) Find solutions to your astro wiring diagram question. Get free help, tips & support from top experts on astro wiring diagram related issues. Astro Boat Wiring Diagram Astro Boat Wiring Diagram. Embracing the Song of Appearance: An Psychological Symphony within Astro Boat Wiring Diagram. In a world consumed by monitors and ... Stratos wiring diagrams | Tracker boats, Wiring a plug ... Oct 21, 2021 - Here are a few diagrams that have been posted on the forums

<http://www.bassboatcentral.com/smileys/thumbsup2.gif> ... Create Your Own Wiring Diagram | BoatUS Wiring Connector Kit Electrical Terminal Set by West Marine | Marine Electrical at West Marine. Always have the right terminal for the job with this ... Info Share - Owners/Service/Parts Manuals - Wiring Diagrams Apr 21, 2009 — There is now a pack consisting of all 1985-2005 Astro/Safari wiring diagrams over on TPB(also in my links). They are 3rd party, but I like ... Marine Electrical Systems.pdf Shown in Figures 1 and 2 are three sample schematics depicting main and branch. DC circuits commonly found on boats. Keep in mind that components in a DC system ... Boat Wiring Harness 80s 90s Astroglass Procraft Boat Wiring Harness 80s 90s Astroglass Procraft ; Quantity. 1 available ; Item Number. 235032727076 ; Brand. Unbranded ; Warranty. No Warranty ; Accurate description. How Many Bugs in a Box?: A Pop-up... by Carter, David A. How Many Bugs in a Box?: A Pop-up... by Carter, David A. How Many Bugs in a Box? by Carter, David A. Inside each bright box are bugs to count from one to ten. Young children will laugh and learn as they lift open the boxes and find colorful, comical bugs that ... How Many Bugs in a Box?: A Pop-up Counting Book Here is the book that started the Bugs phenomenon! Inside each bright box are bugs to count from one to ten. Bugs fans will laugh and learn as they lift. How Many Bugs in a Box? | Book by David A. Carter Inside each bright box are bugs to count from one to ten. Bugs fans will laugh and learn as they lift open the boxes and find colorful, comical bugs that pop ... How Many Bugs in a Box?: A Pop Up Counting Book Inside each bright box are bugs to count from one to ten. Young children will laugh and learn as they lift open the boxes and find colorful, comical bugs that ... How Many Bugs in a Box?-A Pop-up Counting Book Here is the book that started the Bugs phenomenon! Inside each bright box are bugs to count from one to ten. Bugs fans will laugh and learn as they lift ... How Many Bugs In A Box? - (david Carter's ... - Target Inside each bright box are bugs to count from one to ten. Bugs fans will laugh and learn as they lift open the boxes and find colorful, comical bugs that pop ... How Many Bugs in a Box?: A Pop Up... book by David ... Inside each bright box are bugs to count from one to ten. Young children will laugh and learn as they lift open the boxes and find colorful, comical bugs that ... A Pop-Up Counting Book (David Carter's Bugs) Here is the book that started the Bugs phenomenon! Inside each bright box

are bugs to count from one to ten. Bugs fans will laugh and learn as they lift ... Financial Accounting - Weygandt - Kimmel - Kieso Financial Accounting - Weygandt - Kimmel - Kieso - Solution Manual Managerial Accounting · 1. Explain the distinguishing features · 2. Identify the three broad ... Solution Manual For Financial And Managerial Accounting ... Jan 23, 2023 — Solution Manual For Financial And Managerial Accounting 4th Edition by Jerry J Weygandt. Financial and Managerial Accounting (4th Edition) Solutions Access the complete solution set for Weygandt's Financial and Managerial Accounting (4th Edition). Financial And Managerial Accounting 4th Edition Textbook ... Unlike static PDF Financial and Managerial Accounting 4th Edition solution manuals or printed answer keys, our experts show you how to solve each problem step- ... Test Bank Solutions for Financial and Managerial ... Solutions, Test Bank, PDF Textbook ebook for Financial and Managerial Accounting 4e 4th Edition by Jerry J. Weygandt, Paul D. Kimmel. Financial and Managerial Accounting 2nd Edition ... Solutions Manual, Answer key, Instructor's Resource Manual, Problems Set, Exercises, ... for all chapters are included. Financial and Managerial Accounting, 2nd ... Financial And Managerial Accounting 15th Edition ... Textbook solutions for Financial And Managerial Accounting 15th Edition WARREN and others in this series. View step-by-step homework solutions for your ... Solution manual for financial and managerial accounting ... Full SOLUTION MANUAL FOR Financial And Managerial Accounting 4th Edition by Jerry J Weygandt, Paul D Kimmel, Jill E Mitchel CHAPTER 1 Accounting in Action ... Financial and Managerial Accounting Textbook Solutions Financial and Managerial Accounting textbook solutions from Chegg, view all supported editions. Financial and Managerial Accounting - 1st Edition Find step-by-step solutions and answers to Financial and Managerial Accounting - 9781118214046, as well as thousands of textbooks so you can move forward ...