

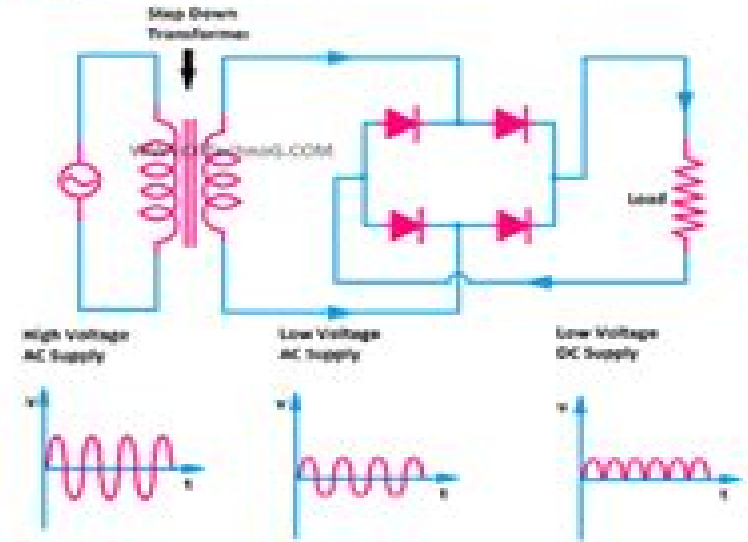
Important Electronic Circuits

Electronics



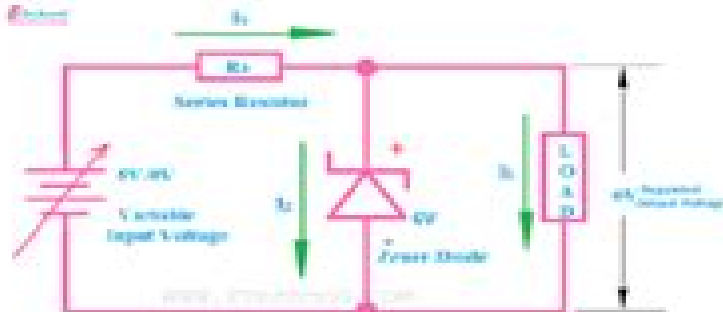
Important Electronic Circuit 1 : Half Wave Rectifier

Electronics



Important Electronic Circuit 2 : Full Wave Rectifier

Electronics



Important Electronic Circuit 3 : Voltage Regulator



Important Electronic Circuit 4 : Filter Circuit

Circuit Diagram Guide

RJ Alexander



Circuit Diagram Guide:

This is likewise one of the factors by obtaining the soft documents of this **Circuit Diagram Guide** by online. You might not require more mature to spend to go to the book establishment as well as search for them. In some cases, you likewise attain not discover the proclamation Circuit Diagram Guide that you are looking for. It will utterly squander the time.

However below, taking into consideration you visit this web page, it will be so totally easy to get as skillfully as download lead Circuit Diagram Guide

It will not believe many period as we tell before. You can attain it even though play in something else at home and even in your workplace. so easy! So, are you question? Just exercise just what we have the funds for below as without difficulty as evaluation **Circuit Diagram Guide** what you in imitation of to read!

<https://py.bijouxmedusa.com/files/browse/HomePages/how%20to%20master%20the%20ielts%20over%20400%20questions%20for%20all%20parts%20of%20the%20international%20english%20language%20testing%20system.pdf>

Table of Contents Circuit Diagram Guide

1. Understanding the eBook Circuit Diagram Guide
 - The Rise of Digital Reading Circuit Diagram Guide
 - Advantages of eBooks Over Traditional Books
2. Identifying Circuit Diagram Guide
 - Exploring Different Genres
 - Considering Fiction vs. Non-Fiction
 - Determining Your Reading Goals
3. Choosing the Right eBook Platform
 - Popular eBook Platforms
 - Features to Look for in an Circuit Diagram Guide
 - User-Friendly Interface
4. Exploring eBook Recommendations from Circuit Diagram Guide

- Personalized Recommendations
 - Circuit Diagram Guide User Reviews and Ratings
 - Circuit Diagram Guide and Bestseller Lists
5. Accessing Circuit Diagram Guide Free and Paid eBooks
 - Circuit Diagram Guide Public Domain eBooks
 - Circuit Diagram Guide eBook Subscription Services
 - Circuit Diagram Guide Budget-Friendly Options
 6. Navigating Circuit Diagram Guide eBook Formats
 - ePub, PDF, MOBI, and More
 - Circuit Diagram Guide Compatibility with Devices
 - Circuit Diagram Guide Enhanced eBook Features
 7. Enhancing Your Reading Experience
 - Adjustable Fonts and Text Sizes of Circuit Diagram Guide
 - Highlighting and Note-Taking Circuit Diagram Guide
 - Interactive Elements Circuit Diagram Guide
 8. Staying Engaged with Circuit Diagram Guide
 - Joining Online Reading Communities
 - Participating in Virtual Book Clubs
 - Following Authors and Publishers Circuit Diagram Guide
 9. Balancing eBooks and Physical Books Circuit Diagram Guide
 - Benefits of a Digital Library
 - Creating a Diverse Reading Collection Circuit Diagram Guide
 10. Overcoming Reading Challenges
 - Dealing with Digital Eye Strain
 - Minimizing Distractions
 - Managing Screen Time
 11. Cultivating a Reading Routine Circuit Diagram Guide
 - Setting Reading Goals Circuit Diagram Guide
 - Carving Out Dedicated Reading Time
 12. Sourcing Reliable Information of Circuit Diagram Guide

- Fact-Checking eBook Content of Circuit Diagram Guide
 - Distinguishing Credible Sources
13. Promoting Lifelong Learning
- Utilizing eBooks for Skill Development
 - Exploring Educational eBooks
14. Embracing eBook Trends
- Integration of Multimedia Elements
 - Interactive and Gamified eBooks

Circuit Diagram Guide Introduction

In this digital age, the convenience of accessing information at our fingertips has become a necessity. Whether its research papers, eBooks, or user manuals, PDF files have become the preferred format for sharing and reading documents. However, the cost associated with purchasing PDF files can sometimes be a barrier for many individuals and organizations. Thankfully, there are numerous websites and platforms that allow users to download free PDF files legally. In this article, we will explore some of the best platforms to download free PDFs. One of the most popular platforms to download free PDF files is Project Gutenberg. This online library offers over 60,000 free eBooks that are in the public domain. From classic literature to historical documents, Project Gutenberg provides a wide range of PDF files that can be downloaded and enjoyed on various devices. The website is user-friendly and allows users to search for specific titles or browse through different categories. Another reliable platform for downloading Circuit Diagram Guide free PDF files is Open Library. With its vast collection of over 1 million eBooks, Open Library has something for every reader. The website offers a seamless experience by providing options to borrow or download PDF files. Users simply need to create a free account to access this treasure trove of knowledge. Open Library also allows users to contribute by uploading and sharing their own PDF files, making it a collaborative platform for book enthusiasts. For those interested in academic resources, there are websites dedicated to providing free PDFs of research papers and scientific articles. One such website is Academia.edu, which allows researchers and scholars to share their work with a global audience. Users can download PDF files of research papers, theses, and dissertations covering a wide range of subjects. Academia.edu also provides a platform for discussions and networking within the academic community. When it comes to downloading Circuit Diagram Guide free PDF files of magazines, brochures, and catalogs, Issuu is a popular choice. This digital publishing platform hosts a vast collection of publications from around the world. Users can search for specific titles or explore various categories and genres. Issuu offers a seamless reading experience with its user-friendly interface and allows users to download PDF files for offline reading. Apart from dedicated

platforms, search engines also play a crucial role in finding free PDF files. Google, for instance, has an advanced search feature that allows users to filter results by file type. By specifying the file type as "PDF," users can find websites that offer free PDF downloads on a specific topic. While downloading Circuit Diagram Guide free PDF files is convenient, it's important to note that copyright laws must be respected. Always ensure that the PDF files you download are legally available for free. Many authors and publishers voluntarily provide free PDF versions of their work, but it's essential to be cautious and verify the authenticity of the source before downloading Circuit Diagram Guide. In conclusion, the internet offers numerous platforms and websites that allow users to download free PDF files legally. Whether it's classic literature, research papers, or magazines, there is something for everyone. The platforms mentioned in this article, such as Project Gutenberg, Open Library, Academia.edu, and Issuu, provide access to a vast collection of PDF files. However, users should always be cautious and verify the legality of the source before downloading Circuit Diagram Guide any PDF files. With these platforms, the world of PDF downloads is just a click away.

FAQs About Circuit Diagram Guide Books

How do I know which eBook platform is the best for me? Finding the best eBook platform depends on your reading preferences and device compatibility. Research different platforms, read user reviews, and explore their features before making a choice. Are free eBooks of good quality? Yes, many reputable platforms offer high-quality free eBooks, including classics and public domain works. However, make sure to verify the source to ensure the eBook credibility. Can I read eBooks without an eReader? Absolutely! Most eBook platforms offer web-based readers or mobile apps that allow you to read eBooks on your computer, tablet, or smartphone. How do I avoid digital eye strain while reading eBooks? To prevent digital eye strain, take regular breaks, adjust the font size and background color, and ensure proper lighting while reading eBooks. What the advantage of interactive eBooks? Interactive eBooks incorporate multimedia elements, quizzes, and activities, enhancing the reader engagement and providing a more immersive learning experience. Circuit Diagram Guide is one of the best books in our library for free trial. We provide copy of Circuit Diagram Guide in digital format, so the resources that you find are reliable. There are also many eBooks related to Circuit Diagram Guide. Where to download Circuit Diagram Guide online for free? Are you looking for Circuit Diagram Guide PDF? This is definitely going to save you time and cash in something you should think about.

Find Circuit Diagram Guide :

[how to master the ielts over 400 questions for all parts of the international english language testing system](#)

[houghton mifflin science grade 5 teacher39s edition](#)

[ielts academic reading passages with answers](#)

icd 10 cm coding guidelines made easy 2017

human anatomy coloring book by margaret matt

[hrm mba exam questions and model answers](#)

[icivics government spending answers](#)

[human development a lifespan view 6th edition](#)

[iacobucci marketing management](#)

how to speak listen

[i like myself karen beaumont](#)

[how to grow cannabis at home a pot lovers guide to growing cannabis indoors for self consumption growing marijuana](#)

[indoors growing weed indoors](#)

[i am slappys evil twin goosebumps slappyworld book 3](#)

[how to learn memorize a randomized deck of playing cards using a memory palace and image association system specifically designed for card memorization mastery](#)

how to make someone fall in love with you

Circuit Diagram Guide :

waec animal husbandry practical 2023 questions and answers - Aug 02 2022

web 2023 waec animal husbandry practical questions and answers frequently asked questions faq question 1 how legit will this answers be ans the answers sent to you will be 100 correct because our machinery comprises of senior

2023 neco animal husbandry practical questions and answers - Feb 25 2022

web aug 2 2023 neco 2023 animal husbandry practical questions and answers thursday 3rd august 2023 animal husbandry practical 10 00am 11 30am

waec animal husbandry questions and answers 2023 2024 - Dec 26 2021

[animal husbandry 60 mcq mock test agristudyinfo com](#) - Sep 22 2021

2021 waec animal husbandry practical questions and answers - Dec 06 2022

web jun 20 2023 waec animal husbandry practical 2023 questions and answers in this section you will read the steps and requirements needed for you to get waec animal husbandry practical 2023 questions and answers before exam

neco 2023 animal husbandry practical questions and answers - Oct 24 2021

2022 wassce animal husbandry practical revision - Aug 14 2023

web jun 13 2023 1 a i name two farm animals from which specimen c fresh meat could be obtained ii mention four ways in which specimen c could be preserved b i mention three farm animals from which the raw form of specimen d powdered milk could be

2022 waec gce animal husbandry practical questions and - Feb 08 2023

web nov 27 2022 waec 2023 animal husbandry practical questions and answers by jambclass on november 27th 2022 waec attention please kindly know that we will assist you well in the above subject and supply the answer

waec animal husbandry practical questions and answers 2023 - May 31 2022

web welcome to official 2023 animal h waec answer page we provide 2023 animal h waec questions and answers on essay theory obj midnight before the exam this is verified correct waec animal husbandry expo

animal husbandry questions quiz 195 agri exam study - Apr 29 2022

web may 4 2023 1b i sheep nose bot flies ii fleece worms iii sheep scale 1c i proper medication ii provision of good shelter iii availability of water iv use of machinery and technology 2ai pick any three i breeds which are not originally present in the

waec 2023 animal husbandry practical questions and answers - Oct 04 2022

web may 26 2023 a i name two farm animals from which specimen c fresh meat could be obtained ii mention four ways in which specimen c could be preserved b i mention three farm animals from which the raw form of specimen d powdered milk could be

2023 waec animal husbandry practical questions - Jul 13 2023

web aug 2 2023 neco animal husbandry practical answers 1a specimen a heart of a cattle specimen b shank leg of a fowl specimen c gizzard specimen d small intestine of goat 1b pick any four i size the heart of a cattle is relatively

animal husbandry objective type questions and answers - Nov 24 2021

animal husbandry practical questions and answers copy - Sep 03 2022

web aug 12 2019 10 question which among this is an exotic breed of cattle in agriexam com animal husbandry questions quiz for agriculture exam online for exams like ibps afo agriculture field officer iffco kribhco nfl nsc icar jrf srf

2021 waec expo animal husbandry practical - May 11 2023

web aug 3 2023 welcome to our comprehensive guide on the neco animal husbandry practical questions and answers for the year 2023 if you are a candidate preparing for the national examination council neco animal husbandry paper you have come to

waec animal husbandry practical specimen for 2023 - Apr 10 2023

web 2021 08 20 by ngozi aima waec animal husbandry 2021 specimen a dry groundnut haulm b fresh guinea grass c kitchen knife d rat preserved e live land snail f bamboo stick g water in a bowl labelled h plastic bucket with cover i mercury in

[2023 waec animal h 3192 gistpower com](#) - Jan 27 2022

web mock test for jrf animal science question pdf download 2020 rs 200 00 rs 50 00 mock test icar jrf bhu pre pg 2020 practice quiz with pdf 120 questions mcq type it helps to improve your study and it saves your time less in price total test 10 test

[waec animal husbandry practical questions and](#) - Jun 12 2023

web may 20 2023 2022 waec gce animal husbandry practical solutions 1a a centrosema pubescent b panicum maximum 1aii i it increases the fertility of the soil ii it gives farm animals a balanced ration iii it serves as cover crops iv it

2023 waec animal husbandry practical questions and answers - Mar 29 2022

web animal husbandry multiple choice questions with answers ebook 24 oogenesis and spermatogenesis are a major physiological action of hormone released from pituitary gland 25 failure of the retractor penis muscles to relax and to allow the penis to

waec animal husbandry practical questions and answers 2023 - Jul 01 2022

web aug 2 2023 the national examination council neco has scheduled the 2023 neco animal husbandry practical questions and answers paper to kick off on thursday 3rd august 2023

animal husbandry questions and answers homework study com - Nov 05 2022

web aug 6 2023 see the 2023 waec animal husbandry practical answers that will help boost your score and your overall performance in the animal husbandry examination below the 2023 waec practical questions and answers for animal husbandry are

neco animal husbandry practical essay and objective 2023 - Jan 07 2023

web animal husbandry practical questions and answers is available in our digital library an online access to it is set as public so you can get it instantly our books collection hosts in multiple locations allowing you to get the most less latency time to download any of our

neco 2023 animal husbandry practical questions with solutions - Mar 09 2023

web get help with your animal husbandry homework access the answers to hundreds of animal husbandry questions that are explained in a way that s easy for you to understand can t find the

rockwell automation logix5000 controllers messages programming manual - Dec 27 2021

web preface this manual shows how to program message msg instructions to and from logix5000 controllers this manual is one of a set of related manuals that show common procedures for programming and operating logix5000 controllers

logix 5000 controllers tasks programs and routines rockwell automation - Feb 09 2023

web this manual is one of a set of related manuals that show common procedures for programming and operating logix 5000 controllers for a complete list of common procedures manuals refer to the log ix 5000 controllers common procedures programming manual publication 1756 pm001

logix5000 controllers messages programming manual - Feb 26 2022

web this manual is one of a set of related manuals that show common procedures for programming and operating logix5000 controllers for a complete list of common procedures manuals refer to the logix5000 controllers common procedures programming manual publication 1756pm001

logix 5000 controllers information and status 1756 pm015n en p - Apr 11 2023

web this manual describes how logix 5000 controllers use connections with other devices this manual also describes status keywords and how to get controller information such as memory resources this manual is one of a set of related manuals that show common procedures for programming and operating logix 5000 controllers

allen bradley 1756 l5 programming manual pdf - Apr 30 2022

web view and download allen bradley 1756 l5 programming manual online logix5000 controllers messages 1756 l5 controller pdf manual download also for 1756 l61 1756 l1 1756 l63 1756 l62 1769 l31 1769 l32c 1769 l32e 1769 l35cr 1789 l60 1769 l35e powerflex 700s 1794 l34

logix 5000 controllers common procedures programming manual - Jul 14 2023

web this publication links to a collection of programming manuals that describe how you can use procedures that are common to all logix5000 controller projects programming manual publication number add on instructions 1756 pm010 ascii strings 1756 pm013 data access 1756 pm020 eds aop guidelines for logix designer 1756 pm002

allen bradley logix5000 programming manual pdf - Mar 30 2022

web view and download allen bradley logix5000 programming manual online i o and tag data logix5000 controller pdf manual download also for 1756 controllogix 1789 softlogix powerflex with drivelogix 1756 guardlogix 1768 compact guardlogix 1769 compactlogix controllers messages 38 pages controller allen bradley logix

logix 5000 controllers structured text rockwell automation - Jun 13 2023

web rockwell automation publication 1756 pm007j en p march 2022 7 preface this manual shows how to program logix 5000 controllers with structured text programming language this manual is one of a set of related manuals that show common procedures for programming and operating logix 5000 controllers

[logix 5000 controllers design considerations reference manual](#) - Nov 06 2022

web replacement guidelines logix 5000 controllers reference manual publication 1756 rm100 logix 5000 common procedures programming manual publication 1756 pm001 logix 5000 controllers controllogix 5580 and guardlogix 5580 controllers user manual publication 1756 um543 controllogix system user manual publication 1756

allen bradley logix 5000 series controller programming manual - Sep 04 2022

web allen bradley logix 5000 series controller programming manual manualslib manuals brands allen bradley manuals controller studio 5000 logix emulate programming manual allen bradley logix 5000 series programming manual nonvolatile memory card also see for logix 5000 series reference manual 561

[logix 5000 controllers messages publication 1756 pm012j en p](#) - Aug 15 2023

web logix 5000 controllers this manual is one of a set of related manuals that show common procedures for programming and operating logix 5000 controllers for a complete list of common procedures manuals refer to the logix 5000 controllers common procedures programming manual publication 1756 pm001

rockwell automation allen bradley logix5000 series programming manual - Jul 02 2022

web view and download rockwell automation allen bradley logix5000 series programming manual online controllers ascii strings allen bradley logix5000 series controller pdf manual download

logix 5000 controllers i o and tag data rockwell automation - Jan 08 2023

web for programming and operating logix 5000 controllers for a complete list of common procedures manuals refer to the logix 5000 controllers common procedures programming manual publication 1756 pm001 the term logix 5000 controller refers to any controller based on the logix 5000 operating system

logix5000 controllers common procedures - Oct 05 2022

web refer to the user manual for your specific type of controller use this manual as a reference when needed how to use this manual this manual is divided into the basic tasks that you perform while programming a logix5000 controller each chapter covers a task the tasks are organized in the sequence that you will typically perform

logix5000 controllers messages programming manual - Jan 28 2022

web this manual shows how to program msg instructions to and from logix5000 controllers this manual is one of a set of related manuals that show common procedures for programming and operating logix5000 controllers

[logix 5000 general instructions reference manual](#) - Jun 01 2022

web mar 17 2022 [logix 5000 general instructions reference manual published date 03 17 2022](#)

logix 5000 controllers add on instructions publication 1756 - Mar 10 2023

web this manual is one of a set of related manuals that show common procedures for programming and operating logix 5000 controllers for a complete list of common procedures manuals refer to the [logix 5000 controllers common p rocedures programming manual publication 1756 pm001](#)

logix 5000 controllers data access rockwell automation - May 12 2023

web communicating with logix 5000 controllers require using cip explicit messaging this chapter describes the subset of the cip explicit messaging constructs for understanding the service explanations that follow see also [cip services overview allen bradley logix 5000 controller programming manual](#) - Aug 03 2022

web allen bradley logix 5000 controller programming manual manualslib manuals brands allen bradley manuals controller studio 5000 logix emulate programming manual allen bradley logix 5000 programming manual controllers messages also see for [logix 5000 reference manual 561 pages programming](#)

[logix 5000 controllers security 1756 pm016r en p rockwell automation](#) - Dec 07 2022

web this manual explains how to configure security for the logix designer application it also explains how to set up source protection for your logic and projects this manual is one of a set of related manuals that show common procedures for programming and operating logix 5000 controllers

saint malo dinard or dinan tripadvisor - Mar 30 2022

web i like both st malo and dinan not keen on dinard at all sort of monaco on the cheap and would recommend both of the two st malo is great for coastal exploring and good food dinan is nice for a quieter holiday especially the port du dinan with the river rance to enjoy walking and cycling on

1116et st malo dinard dinan map mapsworldwide com - Nov 06 2022

web 1116et st malo dinard dinan map ign top25 série bleue for sale with worldwide shipping from maps worldwide the uk s leading online map travel guide shop

carte ign saint malo 1116et bleu i run - Sep 04 2022

web Élément essentiel au bon déroulement de vos escapades la carte ign saint malo dinard dinan 1116et trouve rapidement sa place dans votre sac à dos véritable mine d informations elle vous permet d organiser vos prochains itinéraires en vous assurant de ne manquer aucun détail

1116et saint malo dinard dinan collectif ign cultura - Apr 11 2023

web 1116et saint malo dinard dinan par collectif ign aux éditions ign ces 413 cartes au 1 25 000 1 cm 250 m couvrent l ensemble des zones touristiques littoral massifs forestiers ou montagneux

carte ign saint malo 1116et sportzubehör karten carte ign - Oct 05 2022

web die ign karte saint malo dinard dinan 1116et ist ein unverzichtbares element für den erfolg ihrer unternehmungen und wird schnell ihren platz in ihrem rucksack finden eine wahre fundgrube an informationen die es ihnen ermöglicht ihre nächste reiseroute zu planen und dabei nichts zu übersehen

1116et saint malo cartes de randonnÉe ign - Aug 15 2023

web descriptif l indispensable carte de randonnée ign 1116et d une très grande précision elle contient tous les détails existant sur le terrain voies de communication et sentiers constructions y compris les hangars bois arbres isolés rivièress sources

wandelkaart topografische kaart 1116et saint malo dinard dinan - Feb 09 2023

web wandelkaart topografische kaart 1116et saint malo dinard dinan rothéneuf cancale châteauneuf d ille vilaine ign institut géographique national 9782758551799 isbn code 9782758551799 editie nieuwste editie schaal 1 25000

1116et st malo dinard dinan by collectif liululu - Feb 26 2022

web 1116et st malo dinard dinan pas 1116et st malo dinard dinan wandelkaart 1 25 000 topografische kaarten bretagne reisboekwinkel de zwerver couchage ign rue du merce

carte top 25 n 1116 et saint malo dinard dinan ign - Jul 14 2023

web carte topographique top 25 n 1116et de saint malo dinard dinan éditée par ign cette carte de randonnée propose des courbes de niveau espacées de 10 mètres et une légende détaillée végétation rochers voies de communication jusqu au moindre sentier constructions jusqu au hangar bois arbre isolé rivière sourc

216 0216 nerenin alan kodu İstanbul anadolu ilçe telefon kodları - Dec 27 2021

web jan 19 2011 tunus ülke ve şehir alan kodlarına buradan ulaşabilirsiniz türkiye de 0216 veya 90216 İstanbul anadolu yakası alan kodundan hemen sonra gelen ilçe telefon alan kodlarına prefiks ve hangi ilçeye ait olduğu bilgisine de aşağıdaki listeden ulaşabilirsiniz liste ilçelerde kullanılmakta olan sabit telefon numaralarından

1116et saint malo ign - Mar 10 2023

web feb 7 2022 code article 1116et code ean 9782758551799 code ean édition précédente 9782758534969 prix éditeur 2023 valable du 01 01 2023 au 31 12 2023 tva à 5 50 pour les cartes pliées tva à 20 00 pour les posters cartes anciennes et reliefs produits complémentaires 1215ot le mont saint michel 1016et saint cast

16f findikli mahallesİ ÜskÜdar hareket saatleri ve güzargahı - Jan 28 2022

web bu sayfada 16f findikli mahallesİ ÜskÜdar hattının otobüs kalkış ve hareket saatlerini bu hattın güzargahını ve otobüslerin geçtiği durak isimlerini öğrenebilirsiniz

1116et st malo dinard dinan carte au meilleur prix - Aug 03 2022

web 1116et st malo dinard dinan carte achat en ligne au meilleur prix sur e leclerc retrait gratuit dans de 700 magasins

1116et saint malo dinard dinan collectif ign cultura - Jun 13 2023

web 1116et saint malo dinard dinan par collectif ign aux éditions ign l indispensable carte de randonnée ces cartes topographiques d une très grande précision contiennent tous les détails existants sur le terrain les sentiers b

carte ign 1116et st malo dinard dinan mon beau village - Jan 08 2023

web carte papier top25 1116et nom st malo dinard dinan voir les 39 communes présentes sur la carte dinan langrolay sur rance lanvallay léhon pleslin trigavou pleudihen sur rance plouër sur rance quévert saint hélén saint samson sur rance taden trélivan trémereuc la vicomté sur rance cancale châteauneuf d ille et

carte ign saint malo dinard dinan 1 la livraison opleinair - Jun 01 2022

web avec cette carte ign rando découvrez les randonnées pédestres et en vélo autour de saint malo dinard et dinan la carte top 25 est imprimée d un seul côté elle se déplie et se plie très facilement

carte ign n 1116et st malo dinard dinan cartes de randonnée - Jul 02 2022

web carte de randonnée ign n 1116 et st malo dinard dinan voici les points référencés qui sont présents sur cette carte de randonnée de ign 1116 et certains points ou randonnées peuvent être absents car aucune carte ne leur a été affecté pour le moment

1116et st malo dinard dinan collectif amazon fr - Dec 07 2022

web noté 5 achetez 1116et st malo dinard dinan de collectif isbn 9782758534969 sur amazon fr des millions de livres livrés chez vous en 1 jour

st malo dinard dinan 2022 amazon co uk - Apr 30 2022

web buy st malo dinard dinan 2022 5 by isbn 9782758551799 from amazon s book store everyday low prices and free delivery on eligible orders st malo dinard dinan 2022 amazon co uk 9782758551799 books

saint malo dinard dinan ign 1116et stanfords - May 12 2023

web saint malo dinard dinan ign 1116et 13 99 in stock online free delivery on orders 35 free collection view product details view delivery collection options quantity be the first to review this product got a question about this product click here to ask us a question product details