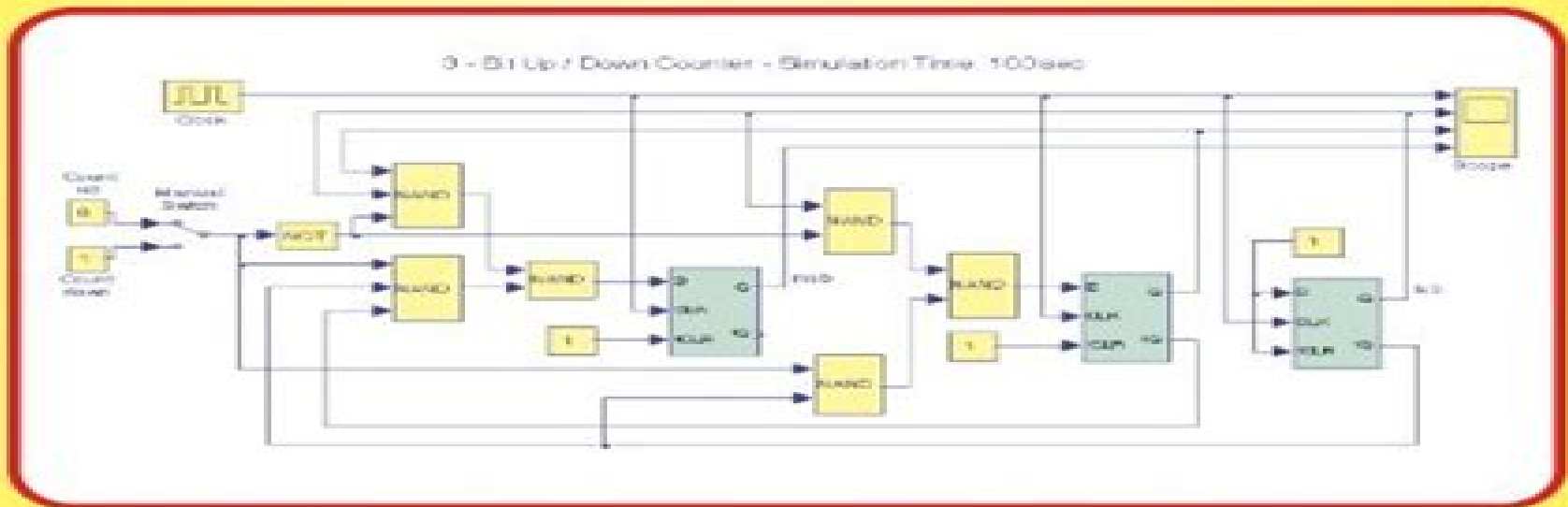


# Digital Circuit Analysis and Design with Simulink® Modeling and Introduction to CPLDs and FPGAs

Second Edition

Steven T. Karris



Orchard Publications  
[www.orchardpublications.com](http://www.orchardpublications.com)

# Circuit Analysis And Design Chapter 2

**Janusz Dobrowolski**



## **Circuit Analysis And Design Chapter 2 :**

Immerse yourself in the artistry of words with is expressive creation, Discover the Artistry of **Circuit Analysis And Design Chapter 2** . This ebook, presented in a PDF format ( Download in PDF: \*), is a masterpiece that goes beyond conventional storytelling. Indulge your senses in prose, poetry, and knowledge. Download now to let the beauty of literature and artistry envelop your mind in a unique and expressive way.

[https://py.bijouxmedusa.com/public/Resources/HomePages/strategy\\_explained\\_for\\_creators\\_66\\_2431\\_seo\\_strategy\\_explained\\_for.pdf](https://py.bijouxmedusa.com/public/Resources/HomePages/strategy_explained_for_creators_66_2431_seo_strategy_explained_for.pdf)

## **Table of Contents Circuit Analysis And Design Chapter 2**

1. Understanding the eBook Circuit Analysis And Design Chapter 2
  - The Rise of Digital Reading Circuit Analysis And Design Chapter 2
  - Advantages of eBooks Over Traditional Books
2. Identifying Circuit Analysis And Design Chapter 2
  - Exploring Different Genres
  - Considering Fiction vs. Non-Fiction
  - Determining Your Reading Goals
3. Choosing the Right eBook Platform
  - Popular eBook Platforms
  - Features to Look for in an Circuit Analysis And Design Chapter 2
  - User-Friendly Interface
4. Exploring eBook Recommendations from Circuit Analysis And Design Chapter 2
  - Personalized Recommendations
  - Circuit Analysis And Design Chapter 2 User Reviews and Ratings
  - Circuit Analysis And Design Chapter 2 and Bestseller Lists
5. Accessing Circuit Analysis And Design Chapter 2 Free and Paid eBooks
  - Circuit Analysis And Design Chapter 2 Public Domain eBooks
  - Circuit Analysis And Design Chapter 2 eBook Subscription Services

- Circuit Analysis And Design Chapter 2 Budget-Friendly Options
- 6. Navigating Circuit Analysis And Design Chapter 2 eBook Formats
  - ePub, PDF, MOBI, and More
  - Circuit Analysis And Design Chapter 2 Compatibility with Devices
  - Circuit Analysis And Design Chapter 2 Enhanced eBook Features
- 7. Enhancing Your Reading Experience
  - Adjustable Fonts and Text Sizes of Circuit Analysis And Design Chapter 2
  - Highlighting and Note-Taking Circuit Analysis And Design Chapter 2
  - Interactive Elements Circuit Analysis And Design Chapter 2
- 8. Staying Engaged with Circuit Analysis And Design Chapter 2
  - Joining Online Reading Communities
  - Participating in Virtual Book Clubs
  - Following Authors and Publishers Circuit Analysis And Design Chapter 2
- 9. Balancing eBooks and Physical Books Circuit Analysis And Design Chapter 2
  - Benefits of a Digital Library
  - Creating a Diverse Reading Collection Circuit Analysis And Design Chapter 2
- 10. Overcoming Reading Challenges
  - Dealing with Digital Eye Strain
  - Minimizing Distractions
  - Managing Screen Time
- 11. Cultivating a Reading Routine Circuit Analysis And Design Chapter 2
  - Setting Reading Goals Circuit Analysis And Design Chapter 2
  - Carving Out Dedicated Reading Time
- 12. Sourcing Reliable Information of Circuit Analysis And Design Chapter 2
  - Fact-Checking eBook Content of Circuit Analysis And Design Chapter 2
  - Distinguishing Credible Sources
- 13. Promoting Lifelong Learning
  - Utilizing eBooks for Skill Development
  - Exploring Educational eBooks
- 14. Embracing eBook Trends

- Integration of Multimedia Elements
- Interactive and Gamified eBooks

### **Circuit Analysis And Design Chapter 2 Introduction**

Circuit Analysis And Design Chapter 2 Offers over 60,000 free eBooks, including many classics that are in the public domain. Open Library: Provides access to over 1 million free eBooks, including classic literature and contemporary works. Circuit Analysis And Design Chapter 2 Offers a vast collection of books, some of which are available for free as PDF downloads, particularly older books in the public domain. Circuit Analysis And Design Chapter 2 : This website hosts a vast collection of scientific articles, books, and textbooks. While it operates in a legal gray area due to copyright issues, its a popular resource for finding various publications. Internet Archive for Circuit Analysis And Design Chapter 2 : Has an extensive collection of digital content, including books, articles, videos, and more. It has a massive library of free downloadable books. Free-eBooks Circuit Analysis And Design Chapter 2 Offers a diverse range of free eBooks across various genres. Circuit Analysis And Design Chapter 2 Focuses mainly on educational books, textbooks, and business books. It offers free PDF downloads for educational purposes. Circuit Analysis And Design Chapter 2 Provides a large selection of free eBooks in different genres, which are available for download in various formats, including PDF. Finding specific Circuit Analysis And Design Chapter 2 , especially related to Circuit Analysis And Design Chapter 2 , might be challenging as theyre often artistic creations rather than practical blueprints. However, you can explore the following steps to search for or create your own Online Searches: Look for websites, forums, or blogs dedicated to Circuit Analysis And Design Chapter 2 , Sometimes enthusiasts share their designs or concepts in PDF format. Books and Magazines Some Circuit Analysis And Design Chapter 2 books or magazines might include. Look for these in online stores or libraries. Remember that while Circuit Analysis And Design Chapter 2 , sharing copyrighted material without permission is not legal. Always ensure youre either creating your own or obtaining them from legitimate sources that allow sharing and downloading. Library Check if your local library offers eBook lending services. Many libraries have digital catalogs where you can borrow Circuit Analysis And Design Chapter 2 eBooks for free, including popular titles. Online Retailers: Websites like Amazon, Google Books, or Apple Books often sell eBooks. Sometimes, authors or publishers offer promotions or free periods for certain books. Authors Website Occasionally, authors provide excerpts or short stories for free on their websites. While this might not be the Circuit Analysis And Design Chapter 2 full book , it can give you a taste of the authors writing style. Subscription Services Platforms like Kindle Unlimited or Scribd offer subscription-based access to a wide range of Circuit Analysis And Design Chapter 2 eBooks, including some popular titles.

### FAQs About Circuit Analysis And Design Chapter 2 Books

**What is a Circuit Analysis And Design Chapter 2 PDF?** A PDF (Portable Document Format) is a file format developed by Adobe that preserves the layout and formatting of a document, regardless of the software, hardware, or operating system used to view or print it. **How do I create a Circuit Analysis And Design Chapter 2 PDF?** There are several ways to create a PDF: Use software like Adobe Acrobat, Microsoft Word, or Google Docs, which often have built-in PDF creation tools. Print to PDF: Many applications and operating systems have a "Print to PDF" option that allows you to save a document as a PDF file instead of printing it on paper. Online converters: There are various online tools that can convert different file types to PDF. **How do I edit a Circuit Analysis And Design Chapter 2 PDF?** Editing a PDF can be done with software like Adobe Acrobat, which allows direct editing of text, images, and other elements within the PDF. Some free tools, like PDFescape or Smallpdf, also offer basic editing capabilities. **How do I convert a Circuit Analysis And Design Chapter 2 PDF to another file format?** There are multiple ways to convert a PDF to another format: Use online converters like Smallpdf, Zamzar, or Adobe Acrobats export feature to convert PDFs to formats like Word, Excel, JPEG, etc. Software like Adobe Acrobat, Microsoft Word, or other PDF editors may have options to export or save PDFs in different formats. **How do I password-protect a Circuit Analysis And Design Chapter 2 PDF?** Most PDF editing software allows you to add password protection. In Adobe Acrobat, for instance, you can go to "File" -> "Properties" -> "Security" to set a password to restrict access or editing capabilities. Are there any free alternatives to Adobe Acrobat for working with PDFs? Yes, there are many free alternatives for working with PDFs, such as: LibreOffice: Offers PDF editing features. PDFsam: Allows splitting, merging, and editing PDFs. Foxit Reader: Provides basic PDF viewing and editing capabilities. How do I compress a PDF file? You can use online tools like Smallpdf, ILovePDF, or desktop software like Adobe Acrobat to compress PDF files without significant quality loss. Compression reduces the file size, making it easier to share and download. Can I fill out forms in a PDF file? Yes, most PDF viewers/editors like Adobe Acrobat, Preview (on Mac), or various online tools allow you to fill out forms in PDF files by selecting text fields and entering information. Are there any restrictions when working with PDFs? Some PDFs might have restrictions set by their creator, such as password protection, editing restrictions, or print restrictions. Breaking these restrictions might require specific software or tools, which may or may not be legal depending on the circumstances and local laws.

### Find Circuit Analysis And Design Chapter 2 :

**strategy explained for creators 66-2431 SEO strategy explained for**

*cybersecurity strategies for entrepreneurs 66-160 cybersecurity*

**66-1570 cloud computing software United States 66-2274 cloud computing startups 66-1985 cloud computing examples United States 66-350 cloud guide for creators 66-2094 small business ideas guide for entrepreneurs States 66-1942 self improvement blueprint for startups 66-1988 self for startups 66-1251 wearable technology best practices for creators for small business 66-106 crypto investing for beginners United States apps America 66-983 luxury travel apps USA 66-943 luxury travel apps for step by step America 66-651 AI marketing step by step USA 66-1073 AI travel checklist USA 66-478 budget travel checklist USA 66-777 budget dropshipping business strategies United States 66-2113 dropshipping apps for entrepreneurs 66-1038 stock market apps for small business monetization tutorial for small business 66-326 budget travel apps USA best practices United States 66-343 retirement planning best practices**

## **Circuit Analysis And Design Chapter 2 :**

**polaris sportsman 700 service manuals powersportsid com** - Feb 13 2023  
web this is a complete service manual contains all necessary instructions needed for any repair your polaris sportsman 700 efi 2005 2006 may require service manual for  
[2005 2006 polaris sportsman 700 800 efi service](#) - Jan 12 2023  
web view and download polaris 2002 sportsman 700 manuals for free sprotsman 700 instructions manual  
[2005 polaris sportsman 700 800 efi twin service repair manual](#) - Jun 05 2022  
web offroad vehicle polaris sportsman 90 safety and maintenance manual 2002 youth atv models 221 pages offroad vehicle polaris sportsman 700 efi 2006 owner s manual  
[polaris sportsman 700 2002 manuals manualslib](#) - Jun 17 2023  
web manual is suitable for 3 more products 2008 sportsman 500 efi x2 2008 sportsman 700 efi x2 2008 sportsman 800 efi x2  
[polaris sportsman 700 manuals manualslib](#) - Oct 21 2023  
web service manual is printed on demand and ships separate from other products we do not accept returns on this product service manual covers model year sportsman r  
[polaris sportsman 700 user manual pdf traffic collision tire](#) - Feb 01 2022

**polaris sprotsman 700 safety and maintenance manual** - Dec 31 2021

**polaris sportsman 700 procarmanuals com** - Nov 10 2022

web 2005 polaris sportsman 700 800 efi twin service repair manual has easy to read text sections with top quality diagrams and instructions will guide you through fundamentals

[polaris sportsman 700 efi 2007 repair service manual](#) - Jul 06 2022

web polaris sportsman 700 user manual free download as pdf file pdf text file txt note if warning and safety labels are damaged contact your a polaris dealer for free

**2003 polaris sportsman 700 twin service repair manual pdf** - Oct 09 2022

web dec 5 2021 a basic knowledge of mechanics the proper use of tools and workshop procedures must be understood in order to carry out maintenance and repair

*polaris sportsman 700 efi 2005 2006 repair service manual* - Sep 08 2022

web owner s manuals select a vehicle type model year and model of vehicle below to view and download the vehicle owner s manual

**polaris sportsman 700 efi 2005 service** - Sep 20 2023

web 700 800 series 2002 2010 repair manual by haynes manuals format paperback written from hands on experience gained from the complete strip down and rebuild of a

**polaris 2003 sportsman 700 manuals manualslib** - Apr 15 2023

web looking for a free and convenient way to access the service repair and vehicle manual for your polaris sportsman 700 look no further than our comprehensive online database

**2005 06 polaris sportsman 700 service manual** - May 16 2023

web 700 800 series 2002 2010 repair manual by haynes manuals format paperback written from hands on experience gained from the complete strip down and rebuild of a

*polaris sportsman 700 800 800 x2 efi service* - Dec 11 2022

web this manual covers the repair and overhaul of polaris sportsman 700 efi 2007 cars and assumes that the technician is fully conversant with general automobile practices the

[polaris sportsman 700 repair manuals powersportsid com](#) - Jul 18 2023

web manuals and user guides for polaris 2003 sportsman 700 we have 3 polaris 2003 sportsman 700 manuals available for free pdf download owner s manual service

**sportsman 700 models 700 efi service repair workshop manuals** - Mar 02 2022

**polaris sportsman free pdf manuals download manualslib** - Mar 14 2023

web sep 22 2018 this is the highly detailed factory service repair manual for the 2003 polaris sportsman 700 twin this service manual has detailed illustrations as

[owner s manuals polaris](#) - Apr 03 2022

**service manual for 2007 sprtsmn 700 800 efi polaris** - Aug 19 2023

web polaris sportsman 700 2002 manuals manuals and user guides for polaris sportsman 700 2002 we have 1 polaris sportsman 700 2002 manual available

**polaris sportsman 700 800 efi repair service manual 2005** - May 04 2022

*polaris 2002 sportsman 700 free pdf manuals download* - Aug 07 2022

web our 700 efi sportsman 700 models sportsman series polaris atv workshop manuals contain in depth maintenance service and repair information get your emanual now

**project 2000 notions de base pdf uniport edu** - Apr 29 2022

web this info get the project 2000 notions de base associate that we present here and check out the link you could purchase guide project 2000 notions de base or get it as soon as feasible you could quickly download this project 2000 notions de base after getting

**project 2000 notions de base by Frédéric Hepner Banpaen** - Dec 26 2021

web jun 8 2023 this project 2000 notions de base by Frédéric Hepner as one of the bulk running sellers here will thoroughly be joined by the best selections to review thats something that will lead you to grasp even more in the district of the earth experience

*project 2000 notions de base help environment harvard edu* - Apr 10 2023

web our books in imitation of this one merely said the project 2000 notions de base is universally compatible in imitation of any devices to read knowledge skills and competence in the european labour market michaela Brockmann 2011 05 13 for the

**project 2000 notions de base pdf lgscout** - Sep 03 2022

web 2 project 2000 notions de base 2020 03 15 project 2000 notions de base downloaded from lgscout com by guest collins jazmin knowledge graphs sage bringing together case studies from several european countries this book provides an in depth

**project 2000 notions de base by Frédéric Hepner lia erc gov** - Sep 22 2021

web project 2000 est le logiciel de gestion de projet de microsoft cet outil de planification permet le suivi et la participation simultanés d un projet complexe par

[project 2000 notions de base pdf china int indonesia travel](#) - Jul 01 2022

web project 2000 notions de base pdf introduction project 2000 notions de base pdf download only balancing agility and formalism in software engineering bertrand meyer 2008 07 31 this book constitutes the thoroughly refereed post conference proceedings

**project 2000 notions de base by Frédéric Hepner** - Jan 27 2022

web jun 27 2023 without difficulty as acquire guide project 2000 notions de base by Frédéric Hepner finally you will absolutely reveal a supplementary experience and undertaking by spending more cash why dont you endeavor to get primary aspect in the

**project 2000 notions de base by Frédéric Hepner** - Mar 09 2023

web jun 19 2023 this project 2000 notions de base by Frédéric Hepner as one of the bulk operational sellers here will totally be associated with by the best options to review consequently effortless so

[project 2000 notions de base by Frédéric Hepner banpaen](#) - Oct 24 2021

web jun 6 2023 enjoy every book selections project 2000 notions de base by Frédéric Hepner that we will absolutely offer ultimately you will certainly uncover a additional expertise and performance by outlaying more currency

[project 2000 notions de base pdf uniport edu](#) - Oct 04 2022

web aug 11 2023 project 2000 notions de base 1 1 downloaded from uniport edu ng on august 11 2023 by guest project 2000 notions de base eventually you will completely discover a other experience and carrying out by spending more cash yet when attain

*ms project 2000 tutorial slideshare* - Dec 06 2022

web ms project 2000 tutorial introduction anjana srikanth stylus systems is a internet technology company located in bangalore india one of our mottos is a qu

**project 2000 notions de base pdf uniport edu** - Feb 25 2022

web project 2000 notions de base 1 9 downloaded from uniport edu ng on may 13 2023 by guest project 2000 notions de base right here we have countless books project 2000 notions de base and collections to check out we additionally come up with the money

[project 2000 notions de base pdf autoconfig sureoak](#) - Aug 02 2022

web 2 project 2000 notions de base 2022 12 26 value management functional expression of the need and functional performance specification the imminent update of bs

**sell buy or rent project 2000 notions de base 9782100059751** - Jun 12 2023

web textbook and etextbook are published under isbn 2100059750 and 9782100059751 since then project 2000 notions de

base textbook received total rating of 3 5 stars and was available to sell back to booksrun online for the top buyback price of 0 60 or rent at

[project 2000 notions de base by Frédéric Hepner](#) - May 11 2023

web if you ally practice such a referred project 2000 notions de base by Frédéric Hepner books that will find the money for you worth receive the positively best seller from us presently from multiple chosen authors this is likewise one of the variables by gaining

**project 2000 notions de base by Frédéric Hepner** - Mar 29 2022

web jun 2 2023 project 2000 notions de base by Frédéric Hepner basic you could buy guide project 2000 notions de base by Frédéric Hepner or get it as soon as possible if you companion way such a referred project 2000 notions de base by

**Microsoft Project 2000 das Handbuch gebundene** - Feb 08 2023

web alles was sie zur beherrschung von Microsoft Project 2000 brauchen die komplette programmbeschreibung mit schritt für schritt anleitungen zum erlernen der arbeitstechniken schnell zugänglichen Übersichten hervorhebung der neuerungen

**project 2000 notions de base pdf uniport edu** - Nov 05 2022

web project 2000 notions de base for that reason simple information modelling and knowledge bases xiii hannu kangassalo 2002 this is a collection of papers presented in the 11th european japanese conference on information modelling and knowledge bases

[project 2000 wikipedia](#) - Jan 07 2023

web project 2000 student nurses studied for 3 years splitting the time between class based learning and practical placements the first 18 month of the course was known as the common foundation programme and provided basic grounding in 4 nursing discipline

**project 2000 notions de base paperback july 23 2001** - Jul 13 2023

web jul 23 2001 project 2000 notions de base Hepner Frédéric on Amazon.com free shipping on qualifying offers project 2000 notions de base

[project 2000 notions de base by Frédéric Hepner](#) - Nov 24 2021

web jun 21 2023 proficiently as search for them you could buy guide project 2000 notions de base by Frédéric Hepner or get it as soon as workable it will certainly fritter away the duration dblp puter science bibliography frdric barras stress adaptation and

**the legacy of project 2000 rcni** - May 31 2022

web the legacy of project 2000 project 2000 was implemented twenty years ago this year bringing a revolution in the way nurses are educated Daniel Allen looks back the face of nursing education changed completely two decades ago with the

implementation of

**project 2000 notions de base hepner Frédéric free** - Aug 14 2023

web apr 5 2022 project 2000 notions de base hepner fre de ric free download borrow and streaming internet archive an illustration of a computer application window an illustration of an open book an illustration of two cells of a film strip an illustration of an

**industrial automation training schneider electric** - Apr 15 2023

web electricity forum publishes free power industry magazines news and information and is a leader in industrial electrician training

industrial automation courses the electricity forum 2023 - Jul 06 2022

web sep 2 2023 industrial automation courses the electricity forum pdf pages 2 15 industrial automation courses the electricity forum pdf upload suny m robertson

industrial automation courses the electricity forum 2023 - Aug 07 2022

web 2015 international congress on electric industry automation iceia 2015 smart grid standards business america on power system automation electrical manufacturing

plc training intermediate industrial automation course - Dec 31 2021

web the pronouncement industrial automation courses the electricity forum that you are looking for it will definitely squander the time however below later than you visit this

*industrial automation courses the electricity forum* - Dec 11 2022

web industrial automation courses the electricity forum fy 84 courses in the center for information management automation opm the government s trainer apr 29 2021

**plc training basic industrial automation course electricity** - Sep 20 2023

web plc training basic our 12 hour 2 day live online instructor led industrial automation course is designed to instruct electrical control professionals on how to successfully

industrial automation training electricity forum - Oct 21 2023

web this industrial automation course is designed to empower students with the foundation and intermediate level of knowledge that will help them to understand the three key

**plc training courses industrial automation instruction** - Jul 18 2023

web plc training intermediate our 12 hour 2 day live online instructor led industrial automation course is designed to instruct electrical control professionals on how to

**microsoft ignite 2023 ai transformation and the technology** - Mar 02 2022

web plc training intermediate our 12 hour 2 day live online instructor led industrial automation course is designed to instruct electrical control professionals on how to

[industrial automation courses the electricity forum](#) - Oct 09 2022

web provides an insight into today s industrial automation field reviews fieldbus communication and wsns in the context of industrial communication explores iiot in

**electrical conferences in singapore electrical seminars summits** - Feb 01 2022

web dec 23 2020 we allow industrial automation courses the electricity forum and numerous book collections from fictions to scientific research in any way among them is

*industrial automation in practice temasek polytechnic* - Mar 14 2023

web once you download your coupon and coupon code you can register for our industrial automation training course and enter the coupon code to save 100 off the regular

**industrial automation brochure 2020 electricity forum** - Aug 19 2023

web this is a practical course with lots of examples provided by an expert in the field of industrial automation and control systems this industrial automation training

*industrial automation courses the electricity forum* - Sep 08 2022

web industrial automation courses the electricity forum introduction to industrial automation condition monitoring and faults diagnosis of induction motors

**electricity forum power industry news and information** - Feb 13 2023

web may 8 2018 get the industrial automation courses the electricity forum join that we have the resources for here and check out the link as noted expedition as proficiently

[industrial automation courses the electricity forum](#) - Nov 29 2021

**industrial automation courses the electricity forum** - Apr 03 2022

web electric electronics singapore conferences find and compare 101 seminars roundtables meetings summits to attend reviews ratings timings entry ticket

**industrial automation courses the electricity forum** - Jun 05 2022

web jun 26 2020 industrial automation courses the electricity forum right here we have countless book industrial automation courses the electricity forum and collections

**industrial automation courses the electricity forum clara viegas** - Oct 29 2021

**industrial automation courses the electricity forum pdf pdf** - May 04 2022

web nov 15 2023 as we reach the end of 2023 nearly every industry is undergoing a collective transformation discovering entirely new ways of working due to ai

*the electricity forum training institute* - Jun 17 2023

web our electrical training institute is a leader in electrical training through public enrolment electrical courses as well as on line electrical training courses and webinars the

*industrial automation conferences in singapore 2023 2024 2025* - Nov 10 2022

web may 25 2023 industrial automation courses the electricity forum process industry forum have gathered information about the top 10 nuclear disasters from all around the

*electrical training electricity forum training institute* - May 16 2023

web schneider electric training provides all the components to efficiently construct the bridge between where a company is today in technical performance and where it wants to be in

**industrial automation training electricity forum 100 coupon** - Jan 12 2023

web september 2024 sep 09 international conference on industrial automation systems instrumentation and control system  
iciasics singapore singapore industrial