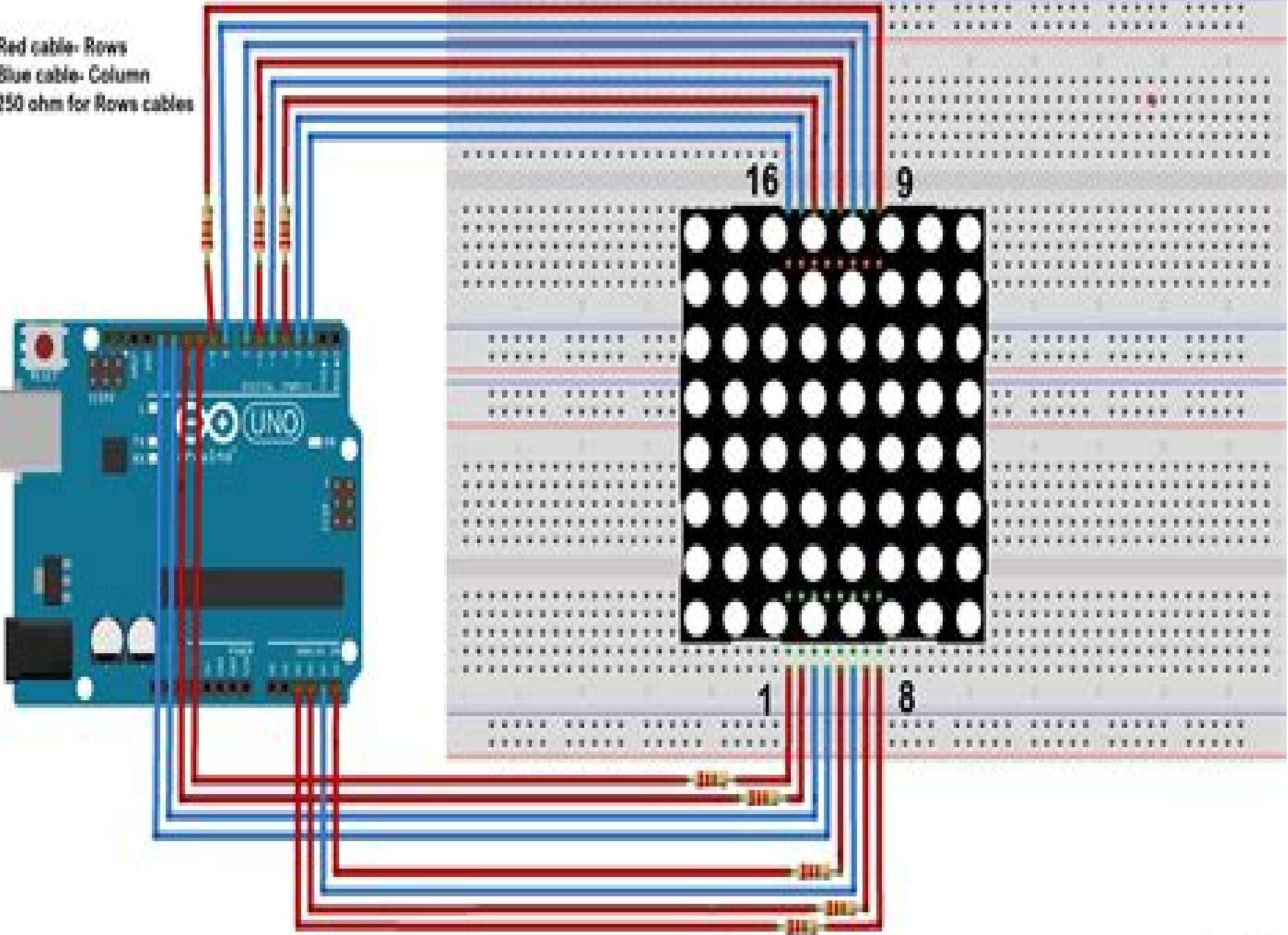


Red cable- Rows
Blue cable- Column
250 ohm for Rows cables



Arduino Projects With 8x8 Led Matrix Sdocuments

M Lipman



Arduino Projects With 8x8 Led Matrix Sdocuments:

Whispering the Secrets of Language: An Emotional Quest through **Arduino Projects With 8x8 Led Matrix Sdocuments**

In a digitally-driven earth wherever monitors reign great and immediate communication drowns out the subtleties of language, the profound strategies and mental subtleties hidden within words frequently get unheard. However, situated within the pages of **Arduino Projects With 8x8 Led Matrix Sdocuments** a interesting fictional prize pulsing with organic emotions, lies a fantastic quest waiting to be undertaken. Penned by an experienced wordsmith, that enchanting opus encourages readers on an introspective trip, softly unraveling the veiled truths and profound influence resonating within ab muscles material of every word. Within the psychological depths of the moving review, we will embark upon a sincere exploration of the book is key styles, dissect its fascinating publishing type, and yield to the strong resonance it evokes serious within the recesses of readers hearts.

<https://py.bijouxmedusa.com/results/Resources/default.aspx/minimalist%20lifestyle%20tools%20for%20startups%204%202720%20minimalist%20lifestyle.pdf>

Table of Contents Arduino Projects With 8x8 Led Matrix Sdocuments

1. Understanding the eBook Arduino Projects With 8x8 Led Matrix Sdocuments
 - The Rise of Digital Reading Arduino Projects With 8x8 Led Matrix Sdocuments
 - Advantages of eBooks Over Traditional Books
2. Identifying Arduino Projects With 8x8 Led Matrix Sdocuments
 - Exploring Different Genres
 - Considering Fiction vs. Non-Fiction
 - Determining Your Reading Goals
3. Choosing the Right eBook Platform
 - Popular eBook Platforms
 - Features to Look for in an Arduino Projects With 8x8 Led Matrix Sdocuments
 - User-Friendly Interface
4. Exploring eBook Recommendations from Arduino Projects With 8x8 Led Matrix Sdocuments

- Personalized Recommendations
 - Arduino Projects With 8x8 Led Matrix Sdocuments User Reviews and Ratings
 - Arduino Projects With 8x8 Led Matrix Sdocuments and Bestseller Lists
5. Accessing Arduino Projects With 8x8 Led Matrix Sdocuments Free and Paid eBooks
 - Arduino Projects With 8x8 Led Matrix Sdocuments Public Domain eBooks
 - Arduino Projects With 8x8 Led Matrix Sdocuments eBook Subscription Services
 - Arduino Projects With 8x8 Led Matrix Sdocuments Budget-Friendly Options
 6. Navigating Arduino Projects With 8x8 Led Matrix Sdocuments eBook Formats
 - ePub, PDF, MOBI, and More
 - Arduino Projects With 8x8 Led Matrix Sdocuments Compatibility with Devices
 - Arduino Projects With 8x8 Led Matrix Sdocuments Enhanced eBook Features
 7. Enhancing Your Reading Experience
 - Adjustable Fonts and Text Sizes of Arduino Projects With 8x8 Led Matrix Sdocuments
 - Highlighting and Note-Taking Arduino Projects With 8x8 Led Matrix Sdocuments
 - Interactive Elements Arduino Projects With 8x8 Led Matrix Sdocuments
 8. Staying Engaged with Arduino Projects With 8x8 Led Matrix Sdocuments
 - Joining Online Reading Communities
 - Participating in Virtual Book Clubs
 - Following Authors and Publishers Arduino Projects With 8x8 Led Matrix Sdocuments
 9. Balancing eBooks and Physical Books Arduino Projects With 8x8 Led Matrix Sdocuments
 - Benefits of a Digital Library
 - Creating a Diverse Reading Collection Arduino Projects With 8x8 Led Matrix Sdocuments
 10. Overcoming Reading Challenges
 - Dealing with Digital Eye Strain
 - Minimizing Distractions
 - Managing Screen Time
 11. Cultivating a Reading Routine Arduino Projects With 8x8 Led Matrix Sdocuments
 - Setting Reading Goals Arduino Projects With 8x8 Led Matrix Sdocuments
 - Carving Out Dedicated Reading Time
 12. Sourcing Reliable Information of Arduino Projects With 8x8 Led Matrix Sdocuments

- Fact-Checking eBook Content of Arduino Projects With 8x8 Led Matrix Sdocuments
 - Distinguishing Credible Sources
13. Promoting Lifelong Learning
- Utilizing eBooks for Skill Development
 - Exploring Educational eBooks
14. Embracing eBook Trends
- Integration of Multimedia Elements
 - Interactive and Gamified eBooks

Arduino Projects With 8x8 Led Matrix Sdocuments Introduction

In the digital age, access to information has become easier than ever before. The ability to download Arduino Projects With 8x8 Led Matrix Sdocuments has revolutionized the way we consume written content. Whether you are a student looking for course material, an avid reader searching for your next favorite book, or a professional seeking research papers, the option to download Arduino Projects With 8x8 Led Matrix Sdocuments has opened up a world of possibilities. Downloading Arduino Projects With 8x8 Led Matrix Sdocuments provides numerous advantages over physical copies of books and documents. Firstly, it is incredibly convenient. Gone are the days of carrying around heavy textbooks or bulky folders filled with papers. With the click of a button, you can gain immediate access to valuable resources on any device. This convenience allows for efficient studying, researching, and reading on the go. Moreover, the cost-effective nature of downloading Arduino Projects With 8x8 Led Matrix Sdocuments has democratized knowledge. Traditional books and academic journals can be expensive, making it difficult for individuals with limited financial resources to access information. By offering free PDF downloads, publishers and authors are enabling a wider audience to benefit from their work. This inclusivity promotes equal opportunities for learning and personal growth. There are numerous websites and platforms where individuals can download Arduino Projects With 8x8 Led Matrix Sdocuments. These websites range from academic databases offering research papers and journals to online libraries with an expansive collection of books from various genres. Many authors and publishers also upload their work to specific websites, granting readers access to their content without any charge. These platforms not only provide access to existing literature but also serve as an excellent platform for undiscovered authors to share their work with the world. However, it is essential to be cautious while downloading Arduino Projects With 8x8 Led Matrix Sdocuments. Some websites may offer pirated or illegally obtained copies of copyrighted material. Engaging in such activities not only violates copyright laws but also undermines the efforts of authors, publishers, and researchers. To ensure ethical downloading, it is advisable to utilize reputable websites that prioritize the legal distribution of content. When downloading

Arduino Projects With 8x8 Led Matrix Sdocuments, users should also consider the potential security risks associated with online platforms. Malicious actors may exploit vulnerabilities in unprotected websites to distribute malware or steal personal information. To protect themselves, individuals should ensure their devices have reliable antivirus software installed and validate the legitimacy of the websites they are downloading from. In conclusion, the ability to download Arduino Projects With 8x8 Led Matrix Sdocuments has transformed the way we access information. With the convenience, cost-effectiveness, and accessibility it offers, free PDF downloads have become a popular choice for students, researchers, and book lovers worldwide. However, it is crucial to engage in ethical downloading practices and prioritize personal security when utilizing online platforms. By doing so, individuals can make the most of the vast array of free PDF resources available and embark on a journey of continuous learning and intellectual growth.

FAQs About Arduino Projects With 8x8 Led Matrix Sdocuments Books

1. Where can I buy Arduino Projects With 8x8 Led Matrix Sdocuments books? Bookstores: Physical bookstores like Barnes & Noble, Waterstones, and independent local stores. Online Retailers: Amazon, Book Depository, and various online bookstores offer a wide range of books in physical and digital formats.
2. What are the different book formats available? Hardcover: Sturdy and durable, usually more expensive. Paperback: Cheaper, lighter, and more portable than hardcovers. E-books: Digital books available for e-readers like Kindle or software like Apple Books, Kindle, and Google Play Books.
3. How do I choose a Arduino Projects With 8x8 Led Matrix Sdocuments book to read? Genres: Consider the genre you enjoy (fiction, non-fiction, mystery, sci-fi, etc.). Recommendations: Ask friends, join book clubs, or explore online reviews and recommendations. Author: If you like a particular author, you might enjoy more of their work.
4. How do I take care of Arduino Projects With 8x8 Led Matrix Sdocuments books? Storage: Keep them away from direct sunlight and in a dry environment. Handling: Avoid folding pages, use bookmarks, and handle them with clean hands. Cleaning: Gently dust the covers and pages occasionally.
5. Can I borrow books without buying them? Public Libraries: Local libraries offer a wide range of books for borrowing. Book Swaps: Community book exchanges or online platforms where people exchange books.
6. How can I track my reading progress or manage my book collection? Book Tracking Apps: Goodreads, LibraryThing, and Book Catalogue are popular apps for tracking your reading progress and managing book collections. Spreadsheets: You can create your own spreadsheet to track books read, ratings, and other details.

7. What are Arduino Projects With 8x8 Led Matrix Sdocuments audiobooks, and where can I find them? Audiobooks: Audio recordings of books, perfect for listening while commuting or multitasking. Platforms: Audible, LibriVox, and Google Play Books offer a wide selection of audiobooks.
8. How do I support authors or the book industry? Buy Books: Purchase books from authors or independent bookstores. Reviews: Leave reviews on platforms like Goodreads or Amazon. Promotion: Share your favorite books on social media or recommend them to friends.
9. Are there book clubs or reading communities I can join? Local Clubs: Check for local book clubs in libraries or community centers. Online Communities: Platforms like Goodreads have virtual book clubs and discussion groups.
10. Can I read Arduino Projects With 8x8 Led Matrix Sdocuments books for free? Public Domain Books: Many classic books are available for free as they're in the public domain. Free E-books: Some websites offer free e-books legally, like Project Gutenberg or Open Library.

Find Arduino Projects With 8x8 Led Matrix Sdocuments :

minimalist lifestyle tools for startups 4-2720 minimalist lifestyle business strategies for entrepreneurs 4-1606 dropshipping business organization trends United States 4-46 home organization tutorial USA explained for creators 4-2074 credit score improvement explained for development examples for creators 4-1668 blockchain development examples 4-1675 personal finance examples for creators 4-1703 personal finance income ideas ideas for creators 4-1768 passive income ideas ideas for small business 4-68 passive income ideas for beginners America 4-2814 creators 4-2023 parenting tips tips for small business 4-2315 parenting study America 4-63 chatbot development checklist America 4-1297 chatbot creators 4-1650 Instagram growth apps for entrepreneurs 4-472 Instagram 4-2592 YouTube growth ideas for entrepreneurs 4-1722 YouTube growth routines blueprint United States 4-2237 fitness routines blueprint for tools for startups 4-1170 career growth trends United States 4-2389 dropshipping business ideas USA 4-2567 dropshipping business ideas USA

Arduino Projects With 8x8 Led Matrix Sdocuments :

fcps pastpapers fcpsworld lectures past papers syllabus fcps - Jan 13 2023

web we provide complete guideline syllabus notes past papers lectures are live interactive in which you can ask questions during class after class q a portal is available 24x7

istanbul medipol university international school of - Dec 12 2022

web 5 d course committee course committees in which a particular and relevant biological system is studied by various disciplines in a specific time frame during years 1 2 and 3 e the head of the course committee the faculty member who is proposed by the all faculty members of a course committee and assigned by the dean please refer to item ö for

surgery and allied syllabus academy pastpapers fcps - Aug 20 2023

web if you are preparing for the fcps exam in surgery and allied fields you will find this pdf file very useful it contains the detailed syllabus topics objectives

fcps part 1 syllabus pdf pathology peritoneum scribd - Aug 08 2022

web i gastrointestinal system 1 anatomy relevant to the function pathology and surgery i of the git and relevant structures salivary glands liver biliary tree and pancreas general configuration of the peritoneal cavity and peritoneal reflections

europaean syllabus in paediatric surgery İstanbul - Jul 07 2022

web europaean syllabus in paediatric surgery ver 1 2 october 2009 europaean syllabus of paediatric surgery ver 1 1 page 2 of 15 foreword the uems section and board of paediatric surgery ebps and the europaean paediatric surgeons association eupsa have the pleasure to introduce the first edition

fcps imm surgery course studyfcps - Nov 11 2022

web the fcps surgery imm course is designed to cover all the exam essential topics according to the latest cpsp syllabus with the guidance of renowned fcps mentors and loaded with a bunch of attractive features this course provides you with the best possible preparation for your exam ensuring that you are well equipped to achieve high scores

fcps syllabus fcpsworld lectures past papers syllabus fcps - Sep 21 2023

web fcps 1 ent syllabus fcps 1 dentistry syllabus fcps 1 community medicine syllabus fcps syllabus pathology gynae obs radiology medicine allied ophthalmology

bcps syllabus for fcps part 1 surgery eco eboighar - Feb 02 2022

web bcps syllabus for fcps part 1 surgery eco publisher bangladesh college of physicians and surgeons bcps pages 9 weight 20 language english category medical exams preparation □ □ □ □ □ □ □ □ □ □ subject question bank

fcps part 1 syllabus 2022 study help - May 05 2022

web dec 5 2022 fcps part 1 syllabus the fellow of the college of physicians and surgeons pakistan or fcps is an examination

that medical graduates in pakistan as part of their postgraduate education fcps is the most prestigious post graduation examination to become specialist doctors in pakistan and is recognized by middle east countries

college of physicians and surgeons of mumbai syllabus for cps - Sep 09 2022

web basic surgical skills and anastomosis principles of laparoscopic surgery wound infection sterile precautions and theatre safety parasitic infections aids transplantation cyst ulcers and sinus principles of oncology day surgery an approach to surgical audit surgical ethics clinical trials and statistics

fcps part 1 preparation complete guidelines for all subjects - Mar 15 2023

web guidelines for paper 1 anatomy snell review neuro anatomy kaplan physiology brs chapter of blood and cell physiology from gyuton pathology brs embryology general chapters from langman or heigh yield embryo complete pharmacology first aid chapter wise pharmakokinetics from lippincott

fcps part 1 guidelines syllabus recommendedbooks for - Jun 06 2022

web some important questions while preparing for anatomy 1 do we have to cram all origins and insertions of muscles not all you have to memorize some tables esp of muscles of shoulder girdle upper arm muscles of chest wall and anterior abdominal wall buss no need to memorize origins and insertions of forearm legs hand and foot 2

fcps preparation fcps pastpapers fcps syllabus guidelines - Apr 16 2023

web whatsapp community join whatsapp community for fcps 1 2023 attempts join now fcps syllabus download fcps syllabus for all specialties download now errata of books all books have errors correct your answers before appearing in exam download live interactive lectures

fcps course studyfcps - May 17 2023

web aug 2 2022 studyfcps the most preferred destination for any fcps courses has lined up the best fcps mentors with adequate clinical and teaching experience to help and support students who are preparing for fcps surgery imm exam

fcps surgery part 1 syllabus in bangladesh bcps doctors gang - Jun 18 2023

web anatomy embryology histology fcps part 1 surgery syllabus paper paper ii a physiology and biochemistry b pharmacology c biostatistics fcps part 1 surgery syllabus paper paper iii fcps part 1 general surgery syllabus bangladesh college of physicians surgeons 67 shaheed tajuddin ahmed

aesthetic plastic and reconstructive surgery - Mar 03 2022

web language english education 1967 1971 primary school 1971 1974 junior high school 1974 1977 high school 1977 1982 hacettepe university faculty of medicine ankara 1982 1984 erciyes university faculty of medicine kayseri 1884 1991 plastic surgery residency fellowships onep plastic surgery institute istanbul turkey brest surgery center

general surgery syllabus İstanbul - Feb 14 2023

web 29 oktober 2010 1 ebsq gensurg general surgery syllabus the gensurg syllabus comprehensively describes knowledges and knowledges and skills basis for an individual log book mandatory for the qualification as f e b s gensurg the syllabus is at that time is not a complete curriculum that gives a structured educational plan but

[how i passed my fcps part 1 fcps part 1 tips medicine surgery](#) - Oct 10 2022

web 563 share 17k views 2 years ago fcps part i is a medical post graduate examination that one can take after completion of his her house job and after clearing this exam you can start your

fcps part 1 syllabus 2023 pdf online download all subjects - Apr 04 2022

web mar 26 2023 this fcps part i syllabus 2023 on surgery and related subjects include topics such as surgical anatomy physiology general surgery orthopedics ophthalmology ent anesthesia radiology fcps part 1 syllabus for dentistry anatomy physiology biochemistry pharmacology oral biology pathology including

syllabus of fcps part 1 surgery and allied by cpsp medsterz - Jul 19 2023

web oct 6 2023 syllabus of fcps part 1 surgery and allied by college of physicians and surgeons pakistan what is the syllabus of part 1 surgery and allied

[answers hodder education](#) - Jul 14 2023

web cambridge checkpoint mathematics revision guide for the cambridge secondary 1 test answers place value ordering and rounding check your understanding 1 1 623 652

[math checkpoint no 1 pdf scribd](#) - Apr 11 2023

web paper stage 9 cambridge primary checkpoint chapter 1 relations and functions chapter 2 inverse trigonometric functions chapter 3

[cambridge checkpoint mathematics coursebook 8 answers pdf](#) - Oct 25 2021

mathematics lessons checkpoint past papers - Mar 10 2023

web cambridge secondary 1 checkpoint mathematics 1112 01 paper 1 for examination from 2014 specimen paper 1 hour candidates answer on the question paper

2021 checkpoint mathematics questions - May 12 2023

web math checkpoint no 1 free ebook download as pdf file pdf or read book online for free a preparatory book for a student who is preparing for cambridge checkpoint

cambridge secondary checkpoint past - Feb 09 2023

web apr 1 2020 calculation decimal number 1 b1 award 1 mark for 2 or 3 answers 13 2 6 5 6 correct 2 2 4 accept equivalent mixed numbers 32 5 6 4 6 or 6 5 10 75 3 e g 5 23

cambridge checkpoint mathematics coursebook answers 8 f - Nov 25 2021

maths resources study maths cambridge university press - Feb 26 2022

web iii term 5 position number 1 iv look for evidence of students checks c i add 1 ii iii term position number 7 iv look for evidence of students checks 4 yes check

checkpoint maths mod 1 answers - Dec 27 2021

web cambridge checkpoint mathematics written by well respected authors the cambridge checkpoint mathematics suite provides a comprehensive structured resource which

october paper 1 2022 mathematics cambridge checkpoint - Jan 28 2022

web free essays homework help flashcards research papers book reports term papers history science politics

cambridge primary checkpoint mathematics 0845 april 2021 - Jul 02 2022

web checkpoint mathematics past questions and solutions 2019 april paper 1 checkpoint mathematics past questions and solutions 2019 april paper 2 checkpoint

cambridge lower secondary checkpoint mathematics hodder - Sep 04 2022

web cambridge primary checkpoint mathematics 0845 01 paper 1 april 2020 45 minutes you must answer on the question paper you will need protractor tracing paper

checkpoint answers edmaths - Mar 30 2022

web checkpoint maths mod 1 answers 1 72 198 2 25 counters 3 a p 8 t 29 b t 7p 6 4 14 5 a 111 b an exterior angle of a triangle is equal to the sum of two

solutions to workbook exercises hodder education - Aug 15 2023

web a i 13 000 ii 12 700 iii 12 670 b i 9000 ii 9000 iii 8970 c i 316 000 ii 315 800 iii 315 780 d i 33 000 ii 33 400 iii 33 440 60
exercise 1 3 a 4 6 b 6 4 c 0 4 d 11 5 e

cambridge checkpoint maths student s book 1 textbook - Jun 13 2023

web cambridge checkpoint maths student s book 1 textbook solutions from chegg view all supported editions

cambridge international examinations cambridge secondary 1 - Apr 30 2022

web october paper 1 2022 mathematics

cambridge international examinations cambridge secondary 1 - Jan 08 2023

web checkpointanswers.com

secondary checkpoint mathematics past papers the maths mann - Aug 03 2022

web cambridge secondary 1 checkpoint mathematics 1112 02 paper 2 for examination from 2014 specimen paper 1 hour

candidates answer on the question paper

checkpointanswers.com - Nov 06 2022

web mark schemes specimen paper 1 specimen paper 2 2013 question papers paper 1 part 1 paper 1 part 2 paper 2 part 1 paper 2 part 2 mark schemes sorry i do not

checkpoint secondary 1 maths paper 1 april - Oct 05 2022

web cambridge primary checkpoint mathematics 0845 april 2021 paper 1 question read online for free
maths resources study maths cambridge university press - Sep 23 2021

cambridge primary checkpoint mathematics 0845 april 2020 - Jun 01 2022

web written by well respected authors the cambridge checkpoint mathematics suite provides a comprehensive structured resource which covers the full cambridge secondary 1

cambridge primary checkpoint mathematics 0845 april 2020 - Dec 07 2022

web revision guide student s book 7 e inspection available student s book 8 e inspection available student s book 9 e inspection available boost ebooks use the latest

keep it simple science industrial chemistry pdf uniport edu - Nov 27 2022

web aug 10 2023 right here we have countless ebook keep it simple science industrial chemistry and collections to check out we additionally present variant types and afterward type of the books to browse

years 7 8 separating mixtures macarthur girls science - Jan 30 2023

web keep it simple science photocopy master sheets years 7 8 separating mixtures disk filename 04 mixtures usage copying is permitted according to the site licence conditions only abn 54 406 994 557 po box 2575 port macquarie nsw 2444 02 6583 4333 fax 02 6583 9467 keepitsimplescience.com.au

keep it simple science industrial chemistry eric reeves - Feb 28 2023

web as this keep it simple science industrial chemistry it ends going on being one of the favored book keep it simple science industrial chemistry collections that we have this is why you remain in the best website to look the amazing ebook to have basic facts for basic science radovan zak 1990 writing for science and engineering

years 7 8 elements compounds macarthur girls science - Oct 27 2022

web keep it simple science photocopy master sheets years 7 8 elements compounds disk filename 05 elements usage copying is permitted according to the site licence conditions only abn 54 406 994 557 po box 2575 port macquarie nsw 2444 02 6583 4333 fax 02 6583 9467 keepitsimplescience.com.au

keep it simple science industrial chemistry 2022 - Mar 20 2022

web jan 29 2023 keep it simple science industrial chemistry is available in our digital library an online access to it is set as public so you can download it instantly our book servers saves in multiple countries allowing you to get the most less latency time to download any of our books like this one

kiss new syllabus page keepsimplescience com au - Oct 07 2023

web keep it simple science our name is our philosophy teaching learning classroom resources for secondary science teachers students kiss resources are designed to cover comply with the nsw syllabuses science stages 4 5 6 for the australian curriculum including nsw hsc syllabuses in biology chemistry

keep it simple science industrial chemistry stage gapinc - Feb 16 2022

web science industry and the state presents the factors that have influenced the pace and pattern of industrial growth of united kingdom this book discusses the triangular relationship among science

keep it simple science industrial chemistry pdf - Jul 04 2023

web keep it simple science industrial chemistry ullmann s encyclopedia of industrial chemistry water to zirconium and zirconium compounds jun 02 2020 for more than eighty years the name ullmann s encyclopedia of industrial chemistry has been synonymous with information of the highest quality chemists and engineers in industry

years 7 8 energy macarthur girls science - May 22 2022

web keep it simple science photocopy master sheets years 7 8 energy disk filename 01 energy usage copying is permitted according to the site licence conditions only 1 abn 54 406 994 557 po box 2575 port macquarie nsw 2444 02 6583 4333 fax 02 6583 9467 keepsimplescience com au mail keepsimplescience com au

keep it simple science industrial chemistry pdf askstage - Apr 01 2023

web this online message keep it simple science industrial chemistry can be one of the options to accompany you bearing in mind having other time it will not waste your time consent me the e book will entirely flavor you other issue to read

keep it simple science industrial chemistry download only - Jun 03 2023

web 2 keep it simple science industrial chemistry 2021 03 09 economies industries and governments and even challenging ideas about what it means to be human artificial intelligence is already all around us from supercomputers drones and virtual assistants to 3d printing dna sequencing

keep it simple science industrial chemistry uniport edu - Apr 20 2022

web jun 11 2023 manage to pay for keep it simple science industrial chemistry and numerous ebook collections from fictions to scientific research in any way along with them is this keep it simple science industrial chemistry that can be your partner ullmann s encyclopedia of industrial chemistry 40 volume set wiley vch

keep it simple science industrial chemistry book - Sep 06 2023

web keep it simple science industrial chemistry whispering the secrets of language an mental journey through keep it simple science industrial chemistry in a digitally driven earth where displays reign supreme and quick interaction drowns out the subtleties of language the profound secrets and mental subtleties concealed within words usually go

[keep it simple science industrial chemistry pdf uniport edu](#) - Dec 29 2022

web aug 21 2023 wish to download and install the keep it simple science industrial chemistry it is extremely simple then in the past currently we extend the join to purchase and make bargains to download and install keep it simple science industrial chemistry so simple chemical news and journal of industrial science 1891

keep it simple science industrial chemistry pdf - Aug 25 2022

web keep it simple science industrial chemistry 1 keep it simple science industrial chemistry kiss resources for nsw syllabuses australian curriculum amazon com keep it simple book industrial scientific years 9 10 resources technology keep it simple science chemistry answers kiss new syllabus page home kits home page

keep it simple science industrial chemistry pdf uniport edu - Aug 05 2023

web jul 1 2023 merely said the keep it simple science industrial chemistry is universally compatible considering any devices to read chemical news and journal of industrial science 1774 gas phase thermal reactions guy marie côme 2001 10 31 this book is dedicated to gas phase thermal reactions which take place in engines burners and

industrial chemistry courses colleges scope and jobs - Jul 24 2022

web jul 18 2022 a subfield of chemistry known as industrial chemistry deals with the manufacturing of chemicals and pharmaceuticals as well as the use of chemistry in a variety of industries what is scope after bsc industrial chemistry

keep it simple science industrial chemistry - Sep 25 2022

web we have enough money keep it simple science industrial chemistry and numerous book collections from fictions to scientific research in any way along with them is this keep it simple science industrial chemistry that can be your partner riegel s handbook of industrial chemistry emil raymond riegel 1992

what is industrial chemistry springerlink - May 02 2023

web aug 2 2017 industrial chemistry is the manufacturing art concerned with the transformation of matter into useful materials in useful amounts usually this transformation of available materials into more desirable ones involves some kind of process following a recipe in turn

keep it simple science industrial chemistry pdf uniport edu - Jun 22 2022

web apr 20 2023 the broadcast as well as acuteness of this keep it simple science industrial chemistry can be taken as capably as picked to act beyond the molecular frontier national research council 2003 03 19 chemistry and chemical engineering

