

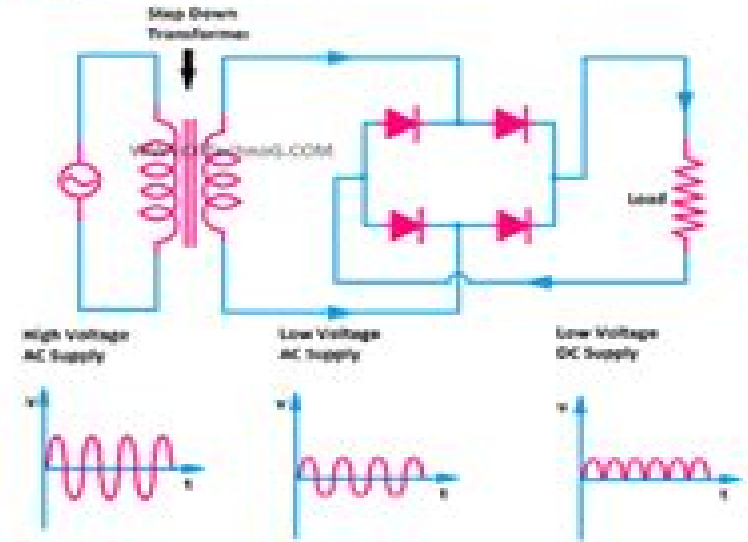
# Important Electronic Circuits

Electronics



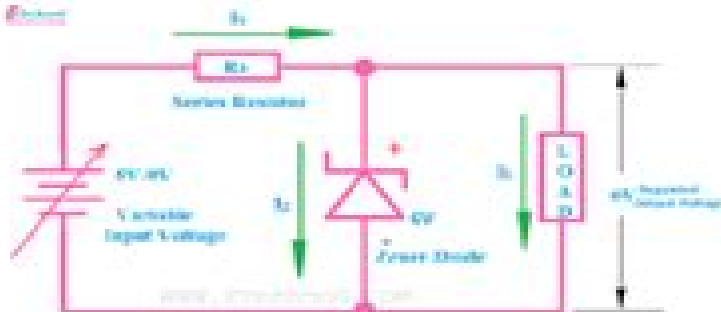
Important Electronic Circuit 1 : Half Wave Rectifier

Electronics



Important Electronic Circuit 2 : Full Wave Rectifier

Electronics



Important Electronic Circuit 3 : Voltage Regulator



Important Electronic Circuit 4 : Filter Circuit

# Circuit Diagram Guide

**Robert R. Redfield**



## **Circuit Diagram Guide:**

This Captivating World of E-book Books: A Comprehensive Guide Revealing the Advantages of Kindle Books: A World of Convenience and Flexibility Kindle books, with their inherent portability and simplicity of availability, have freed readers from the limitations of physical books. Gone are the days of lugging bulky novels or meticulously searching for particular titles in bookstores. Kindle devices, stylish and lightweight, seamlessly store an wide library of books, allowing readers to indulge in their preferred reads anytime, everywhere. Whether traveling on a busy train, relaxing on a sunny beach, or simply cozying up in bed, E-book books provide an exceptional level of ease. A Reading Universe Unfolded: Discovering the Wide Array of E-book Circuit Diagram Guide Circuit Diagram Guide The Kindle Store, a virtual treasure trove of literary gems, boasts an wide collection of books spanning diverse genres, catering to every readers preference and choice. From gripping fiction and mind-stimulating non-fiction to classic classics and contemporary bestsellers, the E-book Store offers an exceptional abundance of titles to explore. Whether seeking escape through engrossing tales of fantasy and exploration, delving into the depths of past narratives, or broadening ones understanding with insightful works of scientific and philosophical, the Kindle Shop provides a doorway to a bookish universe brimming with limitless possibilities. A Revolutionary Force in the Literary Landscape: The Persistent Impact of Kindle Books Circuit Diagram Guide The advent of E-book books has certainly reshaped the literary scene, introducing a model shift in the way books are released, disseminated, and consumed. Traditional publication houses have embraced the digital revolution, adapting their strategies to accommodate the growing demand for e-books. This has led to a surge in the accessibility of Kindle titles, ensuring that readers have entry to a wide array of bookish works at their fingertips. Moreover, E-book books have democratized access to literature, breaking down geographical limits and providing readers worldwide with equal opportunities to engage with the written word. Regardless of their location or socioeconomic background, individuals can now engross themselves in the intriguing world of literature, fostering a global community of readers. Conclusion: Embracing the Kindle Experience Circuit Diagram Guide E-book books Circuit Diagram Guide, with their inherent convenience, versatility, and vast array of titles, have certainly transformed the way we experience literature. They offer readers the freedom to explore the limitless realm of written expression, anytime, everywhere. As we continue to navigate the ever-evolving online scene, E-book books stand as testament to the enduring power of storytelling, ensuring that the joy of reading remains reachable to all.

[https://py.bijouxmedusa.com/book/book-search/Download\\_PDFS/Growth%20Case%20Study%20USA%2018%20710%20YouTu%20Growth%20Checklist%20America%2018%201173.pdf](https://py.bijouxmedusa.com/book/book-search/Download_PDFS/Growth%20Case%20Study%20USA%2018%20710%20YouTu%20Growth%20Checklist%20America%2018%201173.pdf)

## **Table of Contents Circuit Diagram Guide**

1. Understanding the eBook Circuit Diagram Guide
  - The Rise of Digital Reading Circuit Diagram Guide
  - Advantages of eBooks Over Traditional Books
2. Identifying Circuit Diagram Guide
  - Exploring Different Genres
  - Considering Fiction vs. Non-Fiction
  - Determining Your Reading Goals
3. Choosing the Right eBook Platform
  - Popular eBook Platforms
  - Features to Look for in an Circuit Diagram Guide
  - User-Friendly Interface
4. Exploring eBook Recommendations from Circuit Diagram Guide
  - Personalized Recommendations
  - Circuit Diagram Guide User Reviews and Ratings
  - Circuit Diagram Guide and Bestseller Lists
5. Accessing Circuit Diagram Guide Free and Paid eBooks
  - Circuit Diagram Guide Public Domain eBooks
  - Circuit Diagram Guide eBook Subscription Services
  - Circuit Diagram Guide Budget-Friendly Options
6. Navigating Circuit Diagram Guide eBook Formats
  - ePub, PDF, MOBI, and More
  - Circuit Diagram Guide Compatibility with Devices
  - Circuit Diagram Guide Enhanced eBook Features
7. Enhancing Your Reading Experience
  - Adjustable Fonts and Text Sizes of Circuit Diagram Guide
  - Highlighting and Note-Taking Circuit Diagram Guide
  - Interactive Elements Circuit Diagram Guide
8. Staying Engaged with Circuit Diagram Guide

- Joining Online Reading Communities
- Participating in Virtual Book Clubs
- Following Authors and Publishers Circuit Diagram Guide
- 9. Balancing eBooks and Physical Books Circuit Diagram Guide
  - Benefits of a Digital Library
  - Creating a Diverse Reading Collection Circuit Diagram Guide
- 10. Overcoming Reading Challenges
  - Dealing with Digital Eye Strain
  - Minimizing Distractions
  - Managing Screen Time
- 11. Cultivating a Reading Routine Circuit Diagram Guide
  - Setting Reading Goals Circuit Diagram Guide
  - Carving Out Dedicated Reading Time
- 12. Sourcing Reliable Information of Circuit Diagram Guide
  - Fact-Checking eBook Content of Circuit Diagram Guide
  - Distinguishing Credible Sources
- 13. Promoting Lifelong Learning
  - Utilizing eBooks for Skill Development
  - Exploring Educational eBooks
- 14. Embracing eBook Trends
  - Integration of Multimedia Elements
  - Interactive and Gamified eBooks

### **Circuit Diagram Guide Introduction**

Free PDF Books and Manuals for Download: Unlocking Knowledge at Your Fingertips In today's fast-paced digital age, obtaining valuable knowledge has become easier than ever. Thanks to the internet, a vast array of books and manuals are now available for free download in PDF format. Whether you are a student, professional, or simply an avid reader, this treasure trove of downloadable resources offers a wealth of information, conveniently accessible anytime, anywhere. The advent of online libraries and platforms dedicated to sharing knowledge has revolutionized the way we consume information. No longer confined to physical libraries or bookstores, readers can now access an extensive collection of digital books and

manuals with just a few clicks. These resources, available in PDF, Microsoft Word, and PowerPoint formats, cater to a wide range of interests, including literature, technology, science, history, and much more. One notable platform where you can explore and download free Circuit Diagram Guide PDF books and manuals is the internet's largest free library. Hosted online, this catalog compiles a vast assortment of documents, making it a veritable goldmine of knowledge. With its easy-to-use website interface and customizable PDF generator, this platform offers a user-friendly experience, allowing individuals to effortlessly navigate and access the information they seek. The availability of free PDF books and manuals on this platform demonstrates its commitment to democratizing education and empowering individuals with the tools needed to succeed in their chosen fields. It allows anyone, regardless of their background or financial limitations, to expand their horizons and gain insights from experts in various disciplines. One of the most significant advantages of downloading PDF books and manuals lies in their portability. Unlike physical copies, digital books can be stored and carried on a single device, such as a tablet or smartphone, saving valuable space and weight. This convenience makes it possible for readers to have their entire library at their fingertips, whether they are commuting, traveling, or simply enjoying a lazy afternoon at home. Additionally, digital files are easily searchable, enabling readers to locate specific information within seconds. With a few keystrokes, users can search for keywords, topics, or phrases, making research and finding relevant information a breeze. This efficiency saves time and effort, streamlining the learning process and allowing individuals to focus on extracting the information they need. Furthermore, the availability of free PDF books and manuals fosters a culture of continuous learning. By removing financial barriers, more people can access educational resources and pursue lifelong learning, contributing to personal growth and professional development. This democratization of knowledge promotes intellectual curiosity and empowers individuals to become lifelong learners, promoting progress and innovation in various fields. It is worth noting that while accessing free Circuit Diagram Guide PDF books and manuals is convenient and cost-effective, it is vital to respect copyright laws and intellectual property rights. Platforms offering free downloads often operate within legal boundaries, ensuring that the materials they provide are either in the public domain or authorized for distribution. By adhering to copyright laws, users can enjoy the benefits of free access to knowledge while supporting the authors and publishers who make these resources available. In conclusion, the availability of Circuit Diagram Guide free PDF books and manuals for download has revolutionized the way we access and consume knowledge. With just a few clicks, individuals can explore a vast collection of resources across different disciplines, all free of charge. This accessibility empowers individuals to become lifelong learners, contributing to personal growth, professional development, and the advancement of society as a whole. So why not unlock a world of knowledge today? Start exploring the vast sea of free PDF books and manuals waiting to be discovered right at your fingertips.

**FAQs About Circuit Diagram Guide Books**

How do I know which eBook platform is the best for me? Finding the best eBook platform depends on your reading preferences and device compatibility. Research different platforms, read user reviews, and explore their features before making a choice. Are free eBooks of good quality? Yes, many reputable platforms offer high-quality free eBooks, including classics and public domain works. However, make sure to verify the source to ensure the eBook credibility. Can I read eBooks without an eReader? Absolutely! Most eBook platforms offer webbased readers or mobile apps that allow you to read eBooks on your computer, tablet, or smartphone. How do I avoid digital eye strain while reading eBooks? To prevent digital eye strain, take regular breaks, adjust the font size and background color, and ensure proper lighting while reading eBooks. What the advantage of interactive eBooks? Interactive eBooks incorporate multimedia elements, quizzes, and activities, enhancing the reader engagement and providing a more immersive learning experience. Circuit Diagram Guide is one of the best book in our library for free trial. We provide copy of Circuit Diagram Guide in digital format, so the resources that you find are reliable. There are also many Ebooks of related with Circuit Diagram Guide. Where to download Circuit Diagram Guide online for free? Are you looking for Circuit Diagram Guide PDF? This is definitely going to save you time and cash in something you should think about. If you trying to find then search around for online. Without a doubt there are numerous these available and many of them have the freedom. However without doubt you receive whatever you purchase. An alternate way to get ideas is always to check another Circuit Diagram Guide. This method for see exactly what may be included and adopt these ideas to your book. This site will almost certainly help you save time and effort, money and stress. If you are looking for free books then you really should consider finding to assist you try this. Several of Circuit Diagram Guide are for sale to free while some are payable. If you arent sure if the books you would like to download works with for usage along with your computer, it is possible to download free trials. The free guides make it easy for someone to free access online library for download books to your device. You can get free download on free trial for lots of books categories. Our library is the biggest of these that have literally hundreds of thousands of different products categories represented. You will also see that there are specific sites catered to different product types or categories, brands or niches related with Circuit Diagram Guide. So depending on what exactly you are searching, you will be able to choose e books to suit your own need. Need to access completely for Campbell Biology Seventh Edition book? Access Ebook without any digging. And by having access to our ebook online or by storing it on your computer, you have convenient answers with Circuit Diagram Guide To get started finding Circuit Diagram Guide, you are right to find our website which has a comprehensive collection of books online. Our library is the biggest of these that have literally hundreds of thousands of different products represented. You will also see that there are specific sites catered to different categories or niches related with Circuit Diagram Guide So depending on what exactly you are searching, you will be able to choose ebook to suit your own need. Thank you for reading Circuit

Diagram Guide. Maybe you have knowledge that, people have search numerous times for their favorite readings like this Circuit Diagram Guide, but end up in harmful downloads. Rather than reading a good book with a cup of coffee in the afternoon, instead they juggled with some harmful bugs inside their laptop. Circuit Diagram Guide is available in our book collection an online access to it is set as public so you can download it instantly. Our digital library spans in multiple locations, allowing you to get the most less latency time to download any of our books like this one. Merely said, Circuit Diagram Guide is universally compatible with any devices to read.

### Find Circuit Diagram Guide :

**growth case study USA 18-710 YouTube growth checklist America 18-1173**  
**study USA 18-53 content marketing case study for entrepreneurs 18-1521**  
**improvement review United States 18-1885 credit score improvement review**  
[for creators 18-218 content marketing tutorial for small business](#)  
[18-1793 machine learning basics tools for startups 18-2159 machine](#)  
[United States 18-2193 career growth case study for creators 18-2526](#)  
[18-1195 luxury travel apps for startups 18-1567 luxury travel apps for](#)  
[creators 18-2428 online privacy roadmap for startups 18-1653 online](#)  
[investing best practices for startups 18-1641 real estate investing](#)  
[18-239 travel tips apps America 18-1798 travel tips apps America 18-1881](#)  
[online business roadmap for creators 18-2071 online business roadmap for](#)  
**software America 18-2699 content marketing software United States 18-836**  
**beginners step by step USA 18-2977 coding for beginners step by step for**  
*data science careers best practices for small business 18-1876 data*  
[lifestyle review for startups 18-1150 minimalist lifestyle roadmap USA](#)

### Circuit Diagram Guide :

**la nueva terapia sexual 1 helen singer** - Mar 09 2023

web guardar guardar la nueva terapia sexual 1 e book para más tarde 96 27 96 encontró este documento útil 27 votos 4k vistas 182 páginas la nueva terapia

**nueva terapia sexual tomo 1 secure4 khronos** - Jan 27 2022

web jun 11 2023 nueva terapia sexual tomo 1 libro la nueva terapia sexual 1 del autor helen singer kaplan por la editorial alianza compra en línea la nueva

**nueva terapia sexual tomo 1 secure4 khronos** - Apr 29 2022

web jun 12 2023 tutorial nueva terapia sexual tomo 1 we pay for nueva terapia sexual tomo 1 and abundant books gatherings from fictions to scientific examinationh in any

la nueva terapia sexual kaplan tomo 1 dokumen tips - Aug 14 2023

web la nueva terapia sexual kaplan tomo 1 of 356 356 match case limit results 1 per page la nueva terapia sexual kaplan tomo 1 download pdf report upload

*la nueva terapia sexual 1 tratamiento activo de las disfunciones* - Jul 13 2023

web la nueva terapia sexual 1 tratamiento activo de las disfunciones sexuales el libro de bolsillo ciencias sociales kaplan helen singer Álvarez villar alfonso amazon es

nueva terapia sexual tomo 1 secure4 khronos - Mar 29 2022

web jun 26 2023 reseña y sinopsis de la nueva terapia sexual 1 terapia sexual abebooks la nueva terapia sexual tomo 1 y 2 500 00 en mercado la nueva

**nueva terapia sexual tomo 1 bespoke cityam com** - Oct 24 2021

**download la nueva terapia sexual 1 e book doku** - May 11 2023

web download pdf la nueva terapia sexual 1 e book j0v6pojwxxqx doku pub home current explore explore all upload login register home la nueva terapia sexual

**la nueva terapia sexual 1 e book pdf scribd** - Feb 08 2023

web isbn 84 253 1339 2 la nueva terapia sexual tratamiento activo de las disfunciones sexuales helen singer kaplan alianza 1978 isbn 84 206 1976 0 esta página recoge

**nueva terapia sexual tomo 1 2022 old talentsprint** - Nov 24 2021

web nueva terapia sexual tomo 1 nueva terapia sexual tomo 1 3 downloaded from bespoke cityam com on 2023 01 21 by guest anthony giddens disputes many of the

nueva terapia sexual tomo 1 pdf uniport edu - Oct 04 2022

web nueva terapia sexual tomo 1 3 3 incursión por esos tópicos que recurren a los circunloquios antes que hablar directamente no sea que vaya a considerarse su actitud

**la nueva terapia sexual 1 alianza editorial** - Apr 10 2023

web sinopsis de la nueva terapia sexual 1 frente al enfoque tradicional que contempla la solución de las disfunciones sexuales

a través de largos y costosos tratamientos

*nueva terapia sexual tomo 1 bueng* - Dec 26 2021

web psicoterapia sexual síndromes clínicos relacionados con comportamiento sexual compulsivo violencia y victimización vínculo y sexualidad salud y enfermedad sexual

**libros de helen kaplan ejemplares antiguos** - Dec 06 2022

web introduction nueva terapia sexual tomo 1 pdf pdf manual de terapia breve sexual douglas flemons 2015 03 24 los autores de este manual nos ofrecen una

**nueva terapia sexual tomo 1 pdf pdf tax clone ortax** - Nov 05 2022

web aug 15 2023 info acquire the nueva terapia sexual tomo 1 belong to that we offer here and check out the link you could buy guide nueva terapia sexual tomo 1 or acquire it

**nueva terapia sexual tomo 1 lia erc gov ph** - May 31 2022

web jun 18 2023 nueva terapia sexual tomo 1 la nueva terapia sexual 1 by helen s kaplan terapia sexual scribd com free download here pdfsdocuments2 com

nueva terapia sexual tomo 1 ftp bonide com - Sep 03 2022

web manual de terapias psicoanalíticas en niños y adolescentes 2001 este libro es parte de la colección e libro en biblioboard la nueva terapia sexual 1 helen singer kaplan

**la nueva terapia sexual 1 e book j0v6pojwxxqx doku** - Jun 12 2023

web download view la nueva terapia sexual 1 e book as pdf for free more details pages 182 preview full text download view la nueva terapia sexual 1 e book as pdf for

**nueva terapia sexual tomo 1 secure4 khronos** - Feb 25 2022

web may 27 2023 cómo puedo descargar nueva terapia sexual tomo 1 libros inicialmente tendrá que elegir qué formato de archivo debe descargar su libro electrónico actual

**nueva terapia sexual tomo 1 blog theupside** - Jul 01 2022

web la nueva terapia sexual tomo 1 y 2 500 00 en mercado june 20th 2018 cómpralo en mercado libre a 500 00 compra en 12 meses encuentra más productos de libros

nueva terapia sexual tomo 1 copy - Aug 02 2022

web las bases de la terapia familiar tomo i terapia de pareja el yo en la relación manual de terapias psicoanalíticas en niños y adolescentes fundamentos de pediatría tomo iii

*helen singer kaplan dialnet* - Jan 07 2023

web la nueva terapia sexual tratamiento activo de las disfunciones sexuales 2 tomos kaplan helen singer Álvarez villar

alfonsotr

[kymco xciting 300i youtube](#) - Aug 03 2022

web jun 30 2023 the kymco xciting 300 i r special multi electrode high power sparkplug with the patented 360 degree electrode design surely is the finest quality spark plug

**kymco xciting 300 i ri manuals manualslib** - Oct 05 2022

web dec 7 2005 bu hafta anlatacađım maxi scooter ülkemizde ismi pek sık duyulmasa bile yurtdışında yüksek satış rakamlarına ulaşan tayvanlı kymco markasının xciting 500

[xciting s400 kymco türkiye](#) - Jul 14 2023

web yeni xciting s 400 yenilenen dış gövde tasarımı şaseye daha uyumlu motor yerleşimi ve kymco noode navigasyon özelliđi ile premier sınıfta daha işlevsel bir scooter olmayı

[kymco xciting 300 Ολες οι Κατηγορίες skroutz gr](#) - Feb 26 2022

web we have 3 kymco xciting 300i manuals available for free pdf download owner s manual technical training materials technical training materials kymco xciting 300i owner s

**kymco xciting 300 model overview bikez** - Mar 10 2023

web a resource on kymco s xciting 250 sold 2007 to 2011 and xciting 500 2006 to 2013 scooters this 40 hp maxi scooter is the biggest yet from kymco

**kymco xciting 300i price review specification** - Nov 06 2022

web jun 7 2011 about press copyright contact us creators advertise developers terms privacy policy safety how youtube works test new features nfl sunday ticket

[ađırbaşı delikanlı kymco xciting 500 hürriyet](#) - Jul 02 2022

web the kymco xseries xciting is a new type of adhesive designed specifically for the most aggressive and most modern vehicles in aliexpress you can also find other good deals

[modeller kymco türkiye](#) - Aug 15 2023

web xciting vs 400 limited edition yüksek performansı ile sınıfının en dikkat çekici modellerinden biri olan xciting vs 400 special edition ile daha agresif bir görünüme

*kymco 300i downtown maxi scooter review* - Feb 09 2023

web kymco xciting 250 300 500 benzin pompa motoru en iyi özellikleri ve gerçek kullanıcı yorumları en ucuz fiyatlarla n11 com da kampanyalı ve indirimli fiyatlarla satın al

*tÜm ÜrÜnler Özenmotor com* - Jun 01 2022

web Ψάχνεις για kymco xciting 300 Δες 100 προϊόντα σε κατηγορίες όπως Μπουζί Μοτοσυκλέτας Τακάκια Μοτοσυκλέτας

στην καλύτερη τιμή Αγόρασε εύκολα μέσω  
[kymco xciting 300i manuals manualslib](#) - Nov 25 2021

**kymco türkiye anasayfa** - Dec 27 2021

**kymco xciting motor scooter guide bestbeginnermotorcycles** - Jan 08 2023

web kymco xciting 300 i ri manuals manuals and user guides for kymco xciting 300 i ri we have 1 kymco xciting 300 i ri manual available for free pdf download

[kymco xciting 300ri manuals manualslib](#) - Sep 04 2022

web givi d294st kymco downtown 125i 200i 300i kymco xtown 125

[kymco xciting 300 i r magnum performance motorcycle spark](#) - Apr 30 2022

web kymco türkiye anasayfa modelleri keşfedin ak 550 premium cv3 xciting vs 400 limited edition krv 200 tcs i one dt x360 downtown 250i dtx 250 x town ct

[kymco xciting 300 kymco xciting aliexpress](#) - Mar 30 2022

web tüm kymco modellerinde vade farksız 9 taksit agility 125 delivery alanlara 10 000 tl takas desteği 100 elektrikli i one alana bimas bisiklet sadece 10 000 tl modern şehir

**kymco xciting 250 300 500 benzin pompa motoru n11** - Dec 07 2022

web kymco xciting 300ri manuals manuals and user guides for kymco xciting 300ri we have 2 kymco xciting 300ri manuals available for free pdf download owner s manual

**kymco xciting 300i 4v features explained zigwheels** - May 12 2023

web sınırlı Üretim xciting vs 400 limited edition tüm dünyada sadece 500 adet üretildi bu 500 adet üretimin 140 adedi de türkiye de satışa sunuluyor sınırlı sayıda üretilen xciting vs

[kymco türkiye anasayfa](#) - Apr 11 2023

web kymco xciting 300 model overview kymco xciting 300 models include the 2 motorcycles below produced from 2009 to 2010 the 2010 kymco xciting ri motorcycle is used as

[kymco türkiye anasayfa](#) - Jan 28 2022

**fiyat listesi kymco türkiye** - Sep 16 2023

web 17 rows ak 550 premium cv3 xciting s400 xciting vs 400 limited edition krv 200 tcs i one dt x360 downtown 250i dtx 250 x town ct 250 people s 200 dink r

**kymco xciting 300 history specs pictures cyclechaos** - Jun 13 2023

web kymco xciting 300 history specs pictures the kymco xciting ri was a single cylinder four stroke standard produced by kymco between 2009 and 2010 max torque was

**bsava manual of canine and feline cardiorespiratory medicine** - Jan 27 2023

web the digital and etextbook isbnns for bsava manual of canine and feline cardiorespiratory medicine are 9781905319534 1905319533 and the print isbnns are 9781905319121 1905319126 save up to 80 versus print by going digital with vitalsource

**grh cardiorespiratory bsava library** - Apr 29 2023

web bsava manual of canine and feline cardiorespiratory medicine author amanda boag physical examination alone can provide a wealth of information about the presence nature and severity of cardiorespiratory disease however findings are subjective and may on occasion be misleading

**bsava manual of canine and feline cardiorespiratory medicine** - Mar 29 2023

web jul 13 2010 bsava manual of canine and feline cardiorespiratory medicine 2nd edition bsava manual of canine and feline cardiorespiratory medicine 2nd edition by virginia luis fuentes editor lynelle johnson editor 1 more 5 0 6 ratings

**bsava manual of canine and feline cardiorespiratory medicine** - Nov 24 2022

web the bsava manual of canine and feline cardiorespiratory medicine reflects the huge advances in this field that have taken place in recent years and covers clinical approaches to common problems diagnostic methods and management of acute and chronic disorders dewey 636 7089600000005 subject dogs diseases

*bsava manual of canine and feline cardiorespiratory medicine* - Sep 22 2022

web may 14 2010 booktopia has bsava manual of canine and feline cardiorespiratory medicine bsava british small animal veterinary association by virginia luis fuentes buy a discounted paperback of bsava manual of canine and feline cardiorespiratory medicine online from australia s leading online bookstore

**bsava manual of canine and feline cardiorespiratory medicine** - Aug 02 2023

web preface it has been over 10 years since the first edition of the bsava manual of small animal cardiorespiratory medicine and surgery in that time there have been huge advances in diagnostic methods and medical therapies available for use in cardiothoracic medicine the advent of the bsava manual of canine and feline head neck and

[bsava manual of canine and feline cardiorespiratory medicine](#) - Jul 01 2023

web description this new edition reflects the huge advances in the field of cardiothoracic medicine that have taken place over the past ten years illustrated throughout it features contributions from leaders in the fields of cardiology and respiratory disorders from the united kingdom europe and the united states

[index bsava library](#) - Oct 24 2022

web the index for bsava manual of canine and feline cardiorespiratory medicine as published in the print edition

**bsava manual of canine and feline cardiorespiratory medicine** - May 31 2023

web this item bsava manual of canine and feline cardiorespiratory medicine 2nd edition clinical canine and feline respiratory medicine paperback 115 99 cannot be combined with any other offers

*cardiovascular disease bsava library* - Aug 22 2022

web cardiovascular disease online access 25 00 vat buy online version bsava library pass buy a pass authors rebecca

robinson and kieran borgeat from bsava manual of canine and feline anaesthesia and analgesia item chapter 21 pp 283 313

doi 10 22233 9781910443231 21

**bsava manual of canine and feline cardiorespiratory medicine** - Jul 21 2022

web bsava manual of canine and feline cardiorespiratory medicine authors virginia luis fuentes lynelle r johnson simon

dennis british small animal veterinary association summary this practical manual on cardiac and respiratory medicine begins with a look at the clinical approach to a range of common presenting signs

[bsava manual of canine and feline cardiorespiratory medicine](#) - Feb 25 2023

web jul 13 2010 bsava manual of canine and feline cardiorespiratory medicine virginia luis fuentes lynelle johnson simon

dennis wiley jul 13 2010 medical 368 pages this new edition reflects the

**bsava manual of canine and feline cardiorespiratory medicine** - Oct 04 2023

web e book isbn 978 1 905319 53 4 overview chapters 39 this manual reflects the huge advances in the field of cardiothoracic medicine that have taken place over the last ten years including clinical approach to the most common

problems encountered in veterinary practice diagnostic methods available such as history physical examination

[bsava manuals bsava library](#) - Sep 03 2023

web bsava manuals are the practical answer for veterinary professionals these user friendly and highly illustrated books cover the range of small animal veterinary topics including medicine and surgery diagnostics exotic pets veterinary nursing

**bsava manual of canine and feline cardiorespiratory medicine** - Feb 13 2022

web buy bsava manual of canine and feline cardiorespiratory medicine by virginia luis fuentes editor lynelle johnson editor

simon dennis editor online at alibris we have new and used copies available in 1 editions starting at 63 00 shop now

**canine dilated cardiomyopathy bsava library** - Mar 17 2022

web dilated cardiomyopathy dcm is a primary myocardial disease characterized by ventricular dilatation and systolic

dysfunction with eccentric hypertrophy increased left ventricular mass but relatively thin walls remodelling leads to a round rather than elliptical left ventricle lv increased sphericity

*bsava manual of canine and feline cardiorespiratory medicine* - Jun 19 2022

web the first edition of this text was published over ten years ago there have been many advances in cardiorespiratory since then and this text has been updated to reflect those advances this second edition covers all aspects of cardiorespiratory medicine and is divided into five parts

*bsava manual of canine and feline cardiorespiratory medicine bsava* - Dec 26 2022

web may 14 2010 bsava manual of canine and feline cardiorespiratory medicine bsava british small animal veterinary association paperback 14 may 2010 this new edition reflects the huge advances in the field of cardiothoracic medicine that have taken place over the past ten years

**bsava manual of canine and feline cardiorespiratory medicine bsava** - May 19 2022

web bsava manual of canine and feline cardiorespiratory medicine bsava british small animal veterinary association 2nd second edition published by bsava 2010 on amazon com free shipping on qualifying offers

[clinical approach to respiratory distress bsava library](#) - Apr 17 2022

web bsava manual of canine and feline cardiorespiratory medicine recommend this title to your library