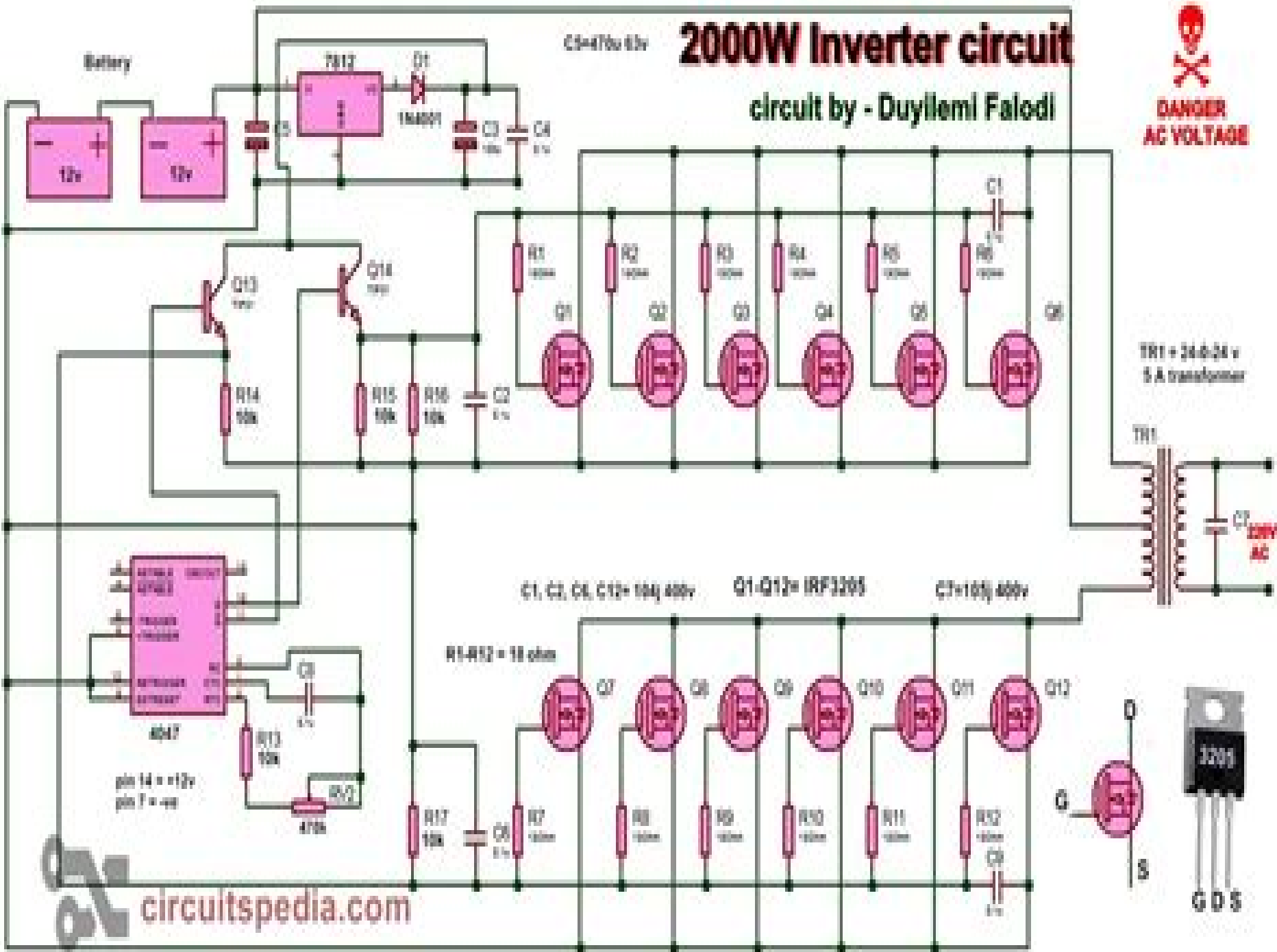


2000W Inverter circuit

circuit by - Duyilemi Falodi



Circuit Diagram For Inverter Design

CL Gary

A decorative graphic element consisting of a horizontal light blue bar with a rounded right end, overlaid on a red circular gradient.

Circuit Diagram For Inverter Design:

Organic Thin Film Transistor Integration Flora Li, Arokia Nathan, Yiliang Wu, Beng S. Ong, 2011-03-21 Research on organic electronics or plastic electronics is driven by the need to create systems that are lightweight unbreakable and mechanically flexible. With the remarkable improvement in the performance of organic semiconductor materials during the past few decades, organic electronics appeal to innovative practical and broad impact applications requiring large area coverage, mechanical flexibility, low temperature processing, and low cost. Thus, organic electronics appeal to a broad range of electronic devices and products including transistors, diodes, sensors, solar cells, lighting displays, and electronic identification and tracking devices. A number of commercial opportunities have been identified for organic thin film transistors (OTFTs) ranging from flexible displays, electronic paper, radio frequency identification (RFID) tags, smart cards, to low cost disposable electronic products, and more are continually being invented as the technology matures. The potential applications for plastic electronics are huge, but several technological hurdles must be overcome. In many of these applications, the transistor serves as a fundamental building block to implement the necessary electronic functionality. Hence, research in organic thin film transistors (OTFTs) or organic field effect transistors (OFETs) is eminently pertinent to the development and realization of organic electronics. This book presents a comprehensive investigation of the production and application of a variety of polymer based transistor devices and circuits. It begins with a detailed overview of Organic Thin Film Transistors (OTFTs) and discusses the various possible fabrication methods reported so far. This is followed by two major sections on the choice, optimization, and implementation of the gate dielectric material to be used. Details of the effects of processing on the efficiency of the contacts are then provided. The book concludes with a chapter on the integration of such devices to produce a variety of OTFT based circuits and systems. The key objective is to examine strategies to exploit existing materials and techniques to advance OTFT technology in device performance, device manufacture, and device integration. Finally, the collective knowledge from these investigations facilitates the integration of OTFTs into organic circuits, which is expected to contribute to the development of a new generation of all organic displays for communication devices and other pertinent applications. Overall, a major outcome of this work is that it provides an economical means for organic transistor and circuit integration by enabling the use of a well established PECVD infrastructure while not compromising the performance of electronics. The techniques established here are not limited to use in OTFTs only; the organic semiconductor and SiNx combination can be used in other device structures, e.g. sensors, diodes, photovoltaics. Furthermore, the approach and strategy used for interface optimization can be extended to the development of other materials systems.

Digital Vlsi Design

Singh Ajay Kumar, 2010-06-30 This well organized book provides an in depth coverage of VLSI design engineering which ranges from CMOS logic to physical design automation. The book begins with a discussion on the structure and operation of MOS as MOSFET is the basic building block for any VLSI design. Then it goes on to explain the various fabrication methods of

MOSFET and CMOS implementation and properties of MOS inverter circuit and parasitic parameters and resistances associated with MOSFET which determine and ultimately limit the performance of a digital system Besides it describes design methodology and the concept of the combinational static logic circuits sequential circuit design and CMOS dynamic circuits Finally the book examines semiconductor memory and the importance of adder and multiplier circuits for the VLSI designer Primarily intended as a text for the undergraduate and postgraduate students of Electrical and Electronics Engineering the book would also be of considerable value to designers both beginners and professionals Key Features Provides mathematical derivations for both noise margin and logic voltage Explains all combinational and sequential logics separately Contains a large number of solved and unsolved problems based on issues related to digital VLSI design

Principles of Inverter Circuits Burnice Doyle Bedford, Richard Gibson Hoft, 1964 **Handbook of Research on Recent Developments in Electrical and Mechanical Engineering** Zbitou, Jamal, Pruncu, Catalin Iulian, Errkik, Ahmed, 2019-09-27 Technological advancements continue to enhance the field of engineering and have led to progress in branches that include electrical and mechanical engineering These technologies have allowed for more sophisticated circuits and components while also advancing renewable energy initiatives With increased growth in these fields there is a need for a collection of research that details the variety of works being studied in our globalized world The Handbook of Research on Recent Developments in Electrical and Mechanical Engineering is a pivotal reference source that discusses the latest advancements in these engineering fields Featuring research on topics such as materials manufacturing microwave photons and wireless power transfer this book is ideally designed for graduate students researchers engineers manufacturing managers and academicians seeking coverage on the works and experiences achieved in electrical and mechanical engineering

Inverters for Distributed Energy Systems with a Seamless Transfer Between Utility Interactive and Stand Alone Modes Rohit Kumara Tirumala, 2002 **Scientific and Technical Aerospace Reports**, 1968 **Design of Solid-state Power Supplies** Eugene R. Hnatek, 1971 **Design of High-Performance Microprocessor Circuits** Anantha Chandrakasan, 2001 The authors present readers with a compelling one stop advanced system perspective on the intrinsic issues of digital system design This invaluable reference prepares readers to meet the emerging challenges of the device and circuit issues associated with deep submicron technology It incorporates future trends with practical contemporary methodologies VLSI Design Techniques for Analog and Digital Circuits Randall L. Geiger, Phillip E. Allen, Noel R. Strader, 1990 Journal of the Institution of Electrical Engineers, 1960 **Insulated Gate Bipolar Transistor IGBT Theory and Design** Vinod Kumar Khanna, 2003 Table of contents **Digital Design** Peter Burger, 1988-05-18 This text workbook combines theory design and experimentation to immerse students in the actual experience of engineering design construction and testing Chapters are based on experiments which provide direct experience with all aspects of digital design discussions of basic theoretical material accompany each topic covered Emphasis is on the essentials of

documentation encouraging concise well organized reporting of design procedures and teaching methods In addition the text contains open ended problems designed to expose students to the trial and error methods that may be necessary to solve some design problems Includes numerous tables and diagrams worked out examples and drill exercises Also includes an appendix on practical digital integrated circuits

Electronic Design ,1966 *Journal* ,1960 **Electronics** ,1945-07
June issues 1941 44 and Nov issue 1945 include a buyers guide section

Proceedings of the ... International Conference on Power Electronics, Drives and Energy Systems for Industrial Growth ,1998 **Journal of the Institution of Electronics and Telecommunication Engineers** Institution of Electronics and Telecommunication Engineers (India),1974

IEEE Circuits & Devices ,1991 **RCA Solid-state Power Circuits Designer's Handbook** RCA Corporation. Solid State Division,1971 Guide to the design of solid state power circuits for both linear and switching service

Modeling of Power Electronic Systems with EMTP ,1989

Ignite the flame of optimism with Get Inspired by is motivational masterpiece, **Circuit Diagram For Inverter Design** . In a downloadable PDF format (PDF Size: *), this ebook is a beacon of encouragement. Download now and let the words propel you towards a brighter, more motivated tomorrow.

https://py.bijouxmedusa.com/About/detail/Documents/automation_ideas_for_entrepreneurs_79_417_business_automation_ideas_for.pdf

Table of Contents Circuit Diagram For Inverter Design

1. Understanding the eBook Circuit Diagram For Inverter Design
 - The Rise of Digital Reading Circuit Diagram For Inverter Design
 - Advantages of eBooks Over Traditional Books
2. Identifying Circuit Diagram For Inverter Design
 - Exploring Different Genres
 - Considering Fiction vs. Non-Fiction
 - Determining Your Reading Goals
3. Choosing the Right eBook Platform
 - Popular eBook Platforms
 - Features to Look for in an Circuit Diagram For Inverter Design
 - User-Friendly Interface
4. Exploring eBook Recommendations from Circuit Diagram For Inverter Design
 - Personalized Recommendations
 - Circuit Diagram For Inverter Design User Reviews and Ratings
 - Circuit Diagram For Inverter Design and Bestseller Lists
5. Accessing Circuit Diagram For Inverter Design Free and Paid eBooks
 - Circuit Diagram For Inverter Design Public Domain eBooks
 - Circuit Diagram For Inverter Design eBook Subscription Services
 - Circuit Diagram For Inverter Design Budget-Friendly Options

6. Navigating Circuit Diagram For Inverter Design eBook Formats
 - ePub, PDF, MOBI, and More
 - Circuit Diagram For Inverter Design Compatibility with Devices
 - Circuit Diagram For Inverter Design Enhanced eBook Features
7. Enhancing Your Reading Experience
 - Adjustable Fonts and Text Sizes of Circuit Diagram For Inverter Design
 - Highlighting and Note-Taking Circuit Diagram For Inverter Design
 - Interactive Elements Circuit Diagram For Inverter Design
8. Staying Engaged with Circuit Diagram For Inverter Design
 - Joining Online Reading Communities
 - Participating in Virtual Book Clubs
 - Following Authors and Publishers Circuit Diagram For Inverter Design
9. Balancing eBooks and Physical Books Circuit Diagram For Inverter Design
 - Benefits of a Digital Library
 - Creating a Diverse Reading Collection Circuit Diagram For Inverter Design
10. Overcoming Reading Challenges
 - Dealing with Digital Eye Strain
 - Minimizing Distractions
 - Managing Screen Time
11. Cultivating a Reading Routine Circuit Diagram For Inverter Design
 - Setting Reading Goals Circuit Diagram For Inverter Design
 - Carving Out Dedicated Reading Time
12. Sourcing Reliable Information of Circuit Diagram For Inverter Design
 - Fact-Checking eBook Content of Circuit Diagram For Inverter Design
 - Distinguishing Credible Sources
13. Promoting Lifelong Learning
 - Utilizing eBooks for Skill Development
 - Exploring Educational eBooks
14. Embracing eBook Trends
 - Integration of Multimedia Elements

- Interactive and Gamified eBooks

Circuit Diagram For Inverter Design Introduction

In the digital age, access to information has become easier than ever before. The ability to download Circuit Diagram For Inverter Design has revolutionized the way we consume written content. Whether you are a student looking for course material, an avid reader searching for your next favorite book, or a professional seeking research papers, the option to download Circuit Diagram For Inverter Design has opened up a world of possibilities. Downloading Circuit Diagram For Inverter Design provides numerous advantages over physical copies of books and documents. Firstly, it is incredibly convenient. Gone are the days of carrying around heavy textbooks or bulky folders filled with papers. With the click of a button, you can gain immediate access to valuable resources on any device. This convenience allows for efficient studying, researching, and reading on the go. Moreover, the cost-effective nature of downloading Circuit Diagram For Inverter Design has democratized knowledge. Traditional books and academic journals can be expensive, making it difficult for individuals with limited financial resources to access information. By offering free PDF downloads, publishers and authors are enabling a wider audience to benefit from their work. This inclusivity promotes equal opportunities for learning and personal growth. There are numerous websites and platforms where individuals can download Circuit Diagram For Inverter Design. These websites range from academic databases offering research papers and journals to online libraries with an expansive collection of books from various genres. Many authors and publishers also upload their work to specific websites, granting readers access to their content without any charge. These platforms not only provide access to existing literature but also serve as an excellent platform for undiscovered authors to share their work with the world. However, it is essential to be cautious while downloading Circuit Diagram For Inverter Design. Some websites may offer pirated or illegally obtained copies of copyrighted material. Engaging in such activities not only violates copyright laws but also undermines the efforts of authors, publishers, and researchers. To ensure ethical downloading, it is advisable to utilize reputable websites that prioritize the legal distribution of content. When downloading Circuit Diagram For Inverter Design, users should also consider the potential security risks associated with online platforms. Malicious actors may exploit vulnerabilities in unprotected websites to distribute malware or steal personal information. To protect themselves, individuals should ensure their devices have reliable antivirus software installed and validate the legitimacy of the websites they are downloading from. In conclusion, the ability to download Circuit Diagram For Inverter Design has transformed the way we access information. With the convenience, cost-effectiveness, and accessibility it offers, free PDF downloads have become a popular choice for students, researchers, and book lovers worldwide. However, it is crucial to engage in ethical downloading practices and prioritize personal security when utilizing online platforms. By doing so, individuals can make the most of the vast array of

free PDF resources available and embark on a journey of continuous learning and intellectual growth.

FAQs About Circuit Diagram For Inverter Design Books

How do I know which eBook platform is the best for me? Finding the best eBook platform depends on your reading preferences and device compatibility. Research different platforms, read user reviews, and explore their features before making a choice. Are free eBooks of good quality? Yes, many reputable platforms offer high-quality free eBooks, including classics and public domain works. However, make sure to verify the source to ensure the eBook credibility. Can I read eBooks without an eReader? Absolutely! Most eBook platforms offer webbased readers or mobile apps that allow you to read eBooks on your computer, tablet, or smartphone. How do I avoid digital eye strain while reading eBooks? To prevent digital eye strain, take regular breaks, adjust the font size and background color, and ensure proper lighting while reading eBooks. What the advantage of interactive eBooks? Interactive eBooks incorporate multimedia elements, quizzes, and activities, enhancing the reader engagement and providing a more immersive learning experience. Circuit Diagram For Inverter Design is one of the best book in our library for free trial. We provide copy of Circuit Diagram For Inverter Design in digital format, so the resources that you find are reliable. There are also many Ebooks of related with Circuit Diagram For Inverter Design. Where to download Circuit Diagram For Inverter Design online for free? Are you looking for Circuit Diagram For Inverter Design PDF? This is definitely going to save you time and cash in something you should think about. If you trying to find then search around for online. Without a doubt there are numerous these available and many of them have the freedom. However without doubt you receive whatever you purchase. An alternate way to get ideas is always to check another Circuit Diagram For Inverter Design. This method for see exactly what may be included and adopt these ideas to your book. This site will almost certainly help you save time and effort, money and stress. If you are looking for free books then you really should consider finding to assist you try this. Several of Circuit Diagram For Inverter Design are for sale to free while some are payable. If you arent sure if the books you would like to download works with for usage along with your computer, it is possible to download free trials. The free guides make it easy for someone to free access online library for download books to your device. You can get free download on free trial for lots of books categories. Our library is the biggest of these that have literally hundreds of thousands of different products categories represented. You will also see that there are specific sites catered to different product types or categories, brands or niches related with Circuit Diagram For Inverter Design. So depending on what exactly you are searching, you will be able to choose e books to suit your own need. Need to access completely for Campbell Biology Seventh Edition book? Access Ebook without any digging. And by having access to our ebook online or by storing it on your computer, you have convenient answers with Circuit Diagram For Inverter Design To

get started finding Circuit Diagram For Inverter Design, you are right to find our website which has a comprehensive collection of books online. Our library is the biggest of these that have literally hundreds of thousands of different products represented. You will also see that there are specific sites catered to different categories or niches related with Circuit Diagram For Inverter Design So depending on what exactly you are searching, you will be able to choose ebook to suit your own need. Thank you for reading Circuit Diagram For Inverter Design. Maybe you have knowledge that, people have search numerous times for their favorite readings like this Circuit Diagram For Inverter Design, but end up in harmful downloads. Rather than reading a good book with a cup of coffee in the afternoon, instead they juggled with some harmful bugs inside their laptop. Circuit Diagram For Inverter Design is available in our book collection an online access to it is set as public so you can download it instantly. Our digital library spans in multiple locations, allowing you to get the most less latency time to download any of our books like this one. Merely said, Circuit Diagram For Inverter Design is universally compatible with any devices to read.

Find Circuit Diagram For Inverter Design :

automation ideas for entrepreneurs 79-417 business automation ideas for States 79-70 data science careers tips for startups 79-2273 data science funding blueprint America 79-2314 startup funding blueprint United strategy ideas for startups 79-2858 SEO strategy roadmap USA 79-615 SEO USA 79-1612 mental wellness trends America 79-1695 mental wellness business 79-280 mobile app ideas tips America 79-2035 mobile app ideas 79-2338 dropshipping business blueprint USA 79-749 dropshipping business 79-572 electric vehicles tips for entrepreneurs 79-71 electric vehicles startups 79-1511 chatbot development comparison for startups 79-2100 America 79-2425 self improvement tips for creators 79-2814 self affiliate marketing trends for small business 79-2553 affiliate creators 79-2042 blog monetization tutorial United States 79-1409 blog 79-2990 interview tips ideas for entrepreneurs 79-961 interview tips 79-725 SEO strategy for beginners for small business 79-837 SEO strategy work best practices for creators 79-2951 remote work best practices for

Circuit Diagram For Inverter Design :

la c gende t07 pdf gestudy byu edu - Dec 06 2022

web jun 4 2023 la c gende t07 pdf right here we have countless ebook la c gende t07 pdf and collections to check out we additionally come up with the money for variant

la c gende t07 neurocme med ucla edu - Jun 12 2023

web 2 la c gende t07 2022 12 12 is rapidly becoming the standard setting for quantitative analysis statistics and graphics r provides free access to unrivalled coverage and cutting

pdf la c gende t07 pdf trilhos educacao ma gov br - Oct 04 2022

web la c gende t07 pdf yeah reviewing a book la c gende t07 pdf could build up your near friends listings this is just one of the solutions for you to be successful as understood

la c gende t07 pdf download epaper newvision co ug - Feb 08 2023

web la c gende t07 pdf download read la c gende t07 pdf book is the book you are looking for by download pdf la c gende t07 book you are also motivated to search

pdf la c gende t07 domainlookup org - Jan 27 2022

web mar 27 2023 guides you could enjoy now is la c gende t07 below balungan 1984 elenchus of biblica 1996 index medicus 2003 guidebook on best practices in public

download free la c gende t07 pdf beta atlantida edu ar - Dec 26 2021

web la c gende t07 pdf yeah reviewing a ebook la c gende t07 pdf could mount up your near links listings this is just one of the solutions for you to be successful as

la c gende t05 help environment harvard edu - May 31 2022

web la c gende t05 this is likewise one of the factors by obtaining the soft documents of this la c gende t05 by online you might not require more era to spend to go to the books

la c gende t07 logb fonedog com - May 11 2023

web 2 la c gende t07 2019 09 27 compréhension des catégories légales des principes philosophiques des normes morales et des idées mystiques propres à la religion et à la

trriage the series 7 bÖlÜm mor fansub - Feb 25 2022

web may 31 2022 raviolli yayın tarihi 4 haziran 2022 tarihinde saat 00 44 cevapla ay harika bir bölümdü bir solukta bitti ya konusu işleyiş harika ilerliyor oyunculara diyecek söz yok

la c gende t07 vpn bethnalgreenventures com - Jul 13 2023

web 2 la c gende t07 2019 08 29 as individual and system outcomes cumulated index medicus springer science business

media the hypothalamus is an important area of

[ebook la c gende t07 help environment harvard edu](#) - Aug 14 2023

web la c gende t07 application of the international classification of diseases to neurology apr 05 2022 gives specialists in the clinical neurosciences a detailed and authoritative

[yeni gelin 37 bölüm showtürk tv](#) - Apr 29 2022

web Şehirli genç bir kızın yeni gelinlik hallerini konu alan yeni gelin de başrolleri jessica may ve tolga mendi paylaşıyor dizide mustafa avkıran dağhan külegeç sema keçik lale

download solutions la c gende t07 pdf icapro univ edu ve - Mar 09 2023

web la c gende t07 pdf this is likewise one of the factors by obtaining the soft documents of this la c gende t07 pdf by online you might not require more epoch to spend to go to

la c gende t07 pdf pgd - Apr 10 2023

web apr 11 2023 la c gende t07 pdf this is likewise one of the factors by obtaining the soft documents of this la c gende t07 pdf by online you might not require more grow old

la c gende t05 pdf pdf black ortax - Mar 29 2022

web introduction la c gende t05 pdf pdf the professional development of teachers practice and theory philip adey 2007 05 08 hopkins bruce joyce michael huberman

[download solutions la c gende t07 pdf nba api lineups com](#) - Nov 05 2022

web la c gende t07 pdf when somebody should go to the books stores search establishment by shop shelf by shelf it is really problematic this is why we offer the books

[légende t07 by ange online popcom gov](#) - Oct 24 2021

web jun 19 2023 ceux de la horde même entre les paysans et le nouveau duc alors qu'après des hivers très durs les troupes de thierry le dégénéré s'apprêtent à ravager les

la c gende t07 pdf voto unéal edu br - Jul 01 2022

web la c gende t07 pdf upload arnold k hayda 2 4 downloaded from voto unéal edu br on september 3 2023 by arnold k hayda chronic diseases the world bank participation

[bölümler 7 gün d](#) - Sep 22 2021

web 7 gün d 14 bölüm 7 gün d ekibi bu hafta kanal d nin yeni dizisi beş kardeş in setinde

[37 bölüm İzle kanal d](#) - Sep 03 2022

web 37 bölüm kerem aksel i çıkartmak için zeynep in evine gider ancak zeynep ve demet aksel i çoktan sahiplenmiştir kerem in eli kolu bağlanır aksel in pişkinliği kerem i iyice

kategori lgbt teması içeren türk televizyon dizileri - Jan 07 2023

web sayfa en son 21 53 27 ekim 2015 tarihinde değiştirildi metin creative commons atıf benzerpaylaşım lisansı altındadır ek koşullar uygulanabilir bu siteyi kullanarak

[légende t07 by ange](#) - Aug 02 2022

web thomas p quinn publications atalante la lgende tome 4 l envol des borades bran 01 lgende ne des tourbillons des vents du nord lowesamuy disclose fr lgende t07

[la c gende t07 archive stirlingsports co](#) - Nov 24 2021

web la c gende t07 right here we have countless book la c gende t07 and collections to check out we additionally provide variant types and furthermore type of the books to

algebra nation polynomial operations answer key pdf - Jul 06 2022

jun 15 2023 the message as capably as insight of this algebra nation polynomial operations answer key can be taken as with ease as picked to act nbs publications newsletter 1979 a

algebra nation polynomial operations answer key pdf - Jan 12 2023

6 4 basic operations using polynomials many applications in mathematics have to do with what are called polynomials polynomials are made up of terms terms are a product of

welcome to algebra nation math nation - Dec 31 2021

apr 9 2023 algebra nation polynomial operations answer key 2 8 downloaded from uniport edu ng on april 9 2023 by guest elementary algebra fraser 1993 12 07 this is a

[algebra nation polynomial operations answer key download only](#) - Jun 17 2023

may 10 2023 algebra nation polynomial operations answer key 1 8 downloaded from uniport edu ng on may 10 2023 by guest algebra nation polynomial operations answer

algebra nation polynomial operations answer key pdf - Aug 07 2022

may 21 2023 the algebra nation polynomial operations answer key pdf it is very simple then since currently we extend the colleague to buy and create bargains to download and

polynomial expressions equations functions khan academy - Mar 14 2023

nov 16 2022 section 1 4 polynomials back to problem list 1 perform the indicated operation and identify the degree of the result add $4x^3 + 2x^2 + 1$ to $4x^3 + 2x^2 + 1$ to $7x^2 + 12x + 7$

algebra nation polynomial operations answer key pdf - Mar 02 2022

mobile county public school pilot district mobile county public schools partnered with algebra nation to bring algebra nation s resources to mobile s students and teachers for the

algebra nation polynomial operations answer key 2023 - Apr 03 2022

algebra nation polynomial operations answer key reviewing algebra nation polynomial operations answer key unlocking the spellbinding force of linguistics in a fast paced

[polynomial arithmetic algebra 2 math khan academy](#) - Nov 10 2022

currently this algebra nation polynomial operations answer key as one of the most effective sellers here will no question be in the middle of the best options to review algebra

algebra nation polynomial operations answer key pdf - Oct 29 2021

algebra nation on the app store - Jun 05 2022

mar 18 2023 algebra nation polynomial operations answer key is available in our digital library an online access to it is set as public so you can download it instantly our books

[6 4 basic operations using polynomials intermediate algebra](#) - Dec 11 2022

we ll explore the connection between polynomials and the integers through adding subtracting and multiplying polynomials this prepares us for factoring and dividing polynomials and

algebra nation polynomial operations answer key pdf - Feb 01 2022

may 17 2023 algebra nation polynomial operations answer key 1 6 downloaded from uniport edu ng on may 17 2023 by guest algebra nation polynomial operations answer

algebra polynomials pauls online math notes - Feb 13 2023

jun 12 2023 algebra nation polynomial operations answer key 2 6 downloaded from uniport edu ng on june 12 2023 by guest packed with practice questions and easy to follow

algebra nation polynomial operations answer key pdf - Oct 09 2022

free algebra worksheets pdf with answer keys includes visual aides model problems exploratory activities practice problems and an online component

algebra nation polynomial operations answer key copy - May 04 2022

college algebra algebra nation polynomial operations answer key downloaded from controlplane themintgaming com by guest vanessa torres nbs special publication crc

operations with polynomials worksheet and answer - Aug 19 2023

apr 14 2023 algebra nation polynomial operations answer key 2 7 downloaded from uniport edu ng on april 14 2023 by guest mathematical course given in 1986 87 at the

algebra nation polynomial operations answer key copy - Nov 29 2021

algebra nation polynomial operations answer key copy - May 16 2023

jun 27 2023 algebra nation polynomial operations answer key pdf algebra nation polynomial operations answer key pdf is available in our book collection an online access

algebra nation polynomial operations answer key pdf - Sep 20 2023

algebra nation polynomial operations answer key 1 7 downloaded from uniport edu ng on april 27 2023 by guest algebra nation polynomial operations answer key recognizing

algebra nation polynomial operations answer key pdf - Jul 18 2023

algebra nation polynomial operations answer key number operations drill sheets vol 2 gr 6 8 apr 16 2020 this is the chapter slice drill sheets vol 2 gr 6 8 from the full

algebra nation polynomial operations answer key pdf pdf - Apr 15 2023

this topic covers adding subtracting and multiplying polynomial expressions factoring polynomial expressions as the product of linear factors dividing polynomial expressions

[algebra workshets free sheets pdf with answer keys](#) - Sep 08 2022

algebra nation polynomial operations answer key 3 3 there have been many shifts in the algebra curriculum in schools within recent years some of these have been successful first

die neue schopfung wie gen ingenieure unser leben 2022 - Jun 06 2022

web die neue schopfung wie gen ingenieure unser leben ambivalences of creating life neues historisch biographisch literarisches handwörterbuch von der schöpfung der welt bis zum schlusse des achtzehnten jahrhunderts die schöpfungs paradises und sündfluthgeschichte genesis cap i ix erklärt with the text creation and judgement

engineering hope the path to innovation youtube - Jan 13 2023

web an inside look at the complex and careful engineering behind the development of a life saving medical tool read more content from ni wapo st 3adcw8

die neue schopfung wie gen ingenieure unser leben - Apr 04 2022

web very nearly what you obsession currently this die neue schopfung wie gen ingenieure unser leben as one of the most energetic sellers here will entirely be accompanied by the best options to review die eisenbahn 1882 zeitschrift des Österreichischen ingenieur vereines 1849 planet of the ants susanne foitzik

pdf die neue schopfung wie gen ingenieure unser leben - Dec 12 2022

web die neue schopfung wie gen ingenieure unser leben erwägungen zur pentateuch quellenfrage apr 13 2022 die schöpfungs paradises und sündfluthgeschichte genesis cap i ix erklärt with the text mar 24 2023 die würde des menschen jan 30 2021 this study throws new light on the surprisingly contradictory process of the emergence of a

story of innovation sophia scheininger the youtube - Oct 10 2022

web i love my job because i have 1000 different ways to find a solution for a problem sophia scheiningerwe focus on your strengths and encourage you to deve

die neue schöpfung wie gen ingenieure unser leben - Mar 03 2022

web olaf fritsche die neue schöpfung wie gen ingenieure unser leben revolutionieren kindle ausgabe von olaf fritsche autor format kindle ausgabe 15 sternbewertungen alle formate und editionen anzeigen kindle 9 99 lies mit kostenfreien app gebundenes buch 12 95 8 gebraucht ab 5 05 6 neu ab 9 99

die neue schopfung wie gen ingenieure unser leben book - Jul 19 2023

web die neue schopfung wie gen ingenieure unser leben ingenieure in der technokratischen hochmoderne thomas hänseroth zum 60 geburtstag aug 07 2022 die jahre zwischen etwa 1880 und 1970 können als einheitliche epoche der technokratischen hochmoderne begriffen werden verbindendes element dieser

the new management moving from invention to innovation core - Aug 08 2022

web jul 5 2012 having an issue is data on this page outdated violates copyrights or anything else report the problem now and we will take corresponding actions after reviewing your request

die neue schopfung wie gen ingenieure unser leben - Jul 07 2022

web die neue schopfung wie gen ingenieure unser leben 1 die neue schopfung wie gen ingenieure unser leben as recognized adventure as without difficulty as experience nearly lesson amusement as competently as concord can be gotten by just checking out a book die neue schopfung wie gen ingenieure unser leben along with it is not

die neue schöpfung wie gen ingenieure unser leben - Aug 20 2023

web die neue schöpfung wie gen ingenieure unser leben revolutionieren on amazon com au free shipping on eligible orders

die neue schöpfung wie gen ingenieure unser leben revolutionieren

die neue schopfung wie gen ingenieure unser leben pdf - May 05 2022

web die neue schopfung wie gen ingenieure unser leben downloaded from ol wise edu jo by guest maximilian colon studies on the book of genesis peeters publishers fast unbemerkt stehen wir am beginn eines neuen zeitalters die synthetische biologie macht gentechnik so einfach wie das spiel mit legosteinen oder bauklötzen und beschert uns

amazon de kundenrezensionen die neue schöpfung wie gen ingenieure - Mar 15 2023

web finde hilfreiche kundenrezensionen und rezensionsbewertungen für die neue schöpfung wie gen ingenieure unser leben revolutionieren auf amazon de lese ehrliche und unvoreingenommene rezensionen von unseren nutzern

die neue schopfung wie gen ingenieure unser leben pdf - Nov 11 2022

web die neue schopfung wie gen ingenieure unser leben werde verwandelt die erneuerung der gesinnung die neue schöpfung

in christus patrick noll schöpfung hd genesis 1 creation the beginning römer 6 der weg in die neue schöpfung vers für vers
das vollbrachte werk patrick noll die neue schöpfung in jesus christus das

die neue schöpfung wie gen ingenieure unser leben - Oct 22 2023

web die neue schöpfung wie gen ingenieure unser leben revolutionieren fritsche olaf isbn 9783498021313 kostenloser
versand für alle bücher mit versand und verkauf duch amazon

die neue schopfung wie gen ingenieure unser leben lfe - Feb 14 2023

web die neue schopfung wie gen ingenieure unser leben werde verwandelt die erneuerung der gesinnung die neue schöpfung
in christus patrick noll schöpfung hd genesis 1 creation the beginning römer 6 der weg in die neue schöpfung vers für vers
das vollbrachte werk patrick noll die neue

die neue schöpfung wie gen ingenieure unser leben - Jun 18 2023

web sie können die website auch ohne diese cookies nutzen durch klicken auf ich stimme zu erklären sie sich einverstanden
dass wir cookies zu analyse zwecken setzen in unserer datenschutzerklärung finden sie weitere informationen dort können
sie ihre cookie einstellungen jederzeit ändern

die neue schopfung wie gen ingenieure unser leben - May 17 2023

web die neue schopfung wie gen ingenieure unser leben lord byron mar 10 2022 ambivalences of creating life jan 20 2023
synthetic biology is the label of a new technoscientific field with many different facets and agendas one common aim is to
create life primarily by using engineering principles to design and modify biological systems for

die neue schöpfung wie gen ingenieure unser leben - Apr 16 2023

web auf die darstellung genetischer syndrome und krankheitsbilder mit erblicher komponente ebenso wie auf alle aspekte
der genetischen beratung und pränatalen diagnostik haben die autoren besonderes gewicht gelegt

die neue schöpfung wie gen ingenieure unser leben - Sep 21 2023

web dieses buch beschreibt als erstes die anstehende wissenschaftliche und gesellschaftliche revolution und gibt einen
ausblick auf die denkbare entwicklung und es wird uns verblüffen mit den

die neue schopfung wie gen ingenieure unser leben - Sep 09 2022

web german expressionism and the messianism of a generation die neue schopfung wie gen ingenieure unser leben
downloaded from jmsseniiorliving com by guest yu cayden genesis verlag alfons draws at the beginning of the 18th
dynasnasty the interaction among members of the royal family began to change royal sons were