

Activity - Practice with Complex Circuits

$$V = IR$$

Part I

In the circuits below, the voltage of the battery is 12 V and each resistor is 2 Ω. For each circuit:

- Describe the circuit and any assumptions you make. Which resistors are in series? Which are in parallel?
- Calculate the current through each resistor and the voltage across each resistor.

$$\text{Total: } 8 + 2 = 10$$

$$\text{Series} = 2 + 2 + 2 + 2 = 8 \Omega$$

$$\text{Parallel} = \frac{1}{2} = 2 \Omega$$

$$V = IR \rightarrow I = \frac{V}{R} = \frac{12}{10} = 1.2 \text{ A}$$

$$A = \frac{2 \Omega}{4.67} (12)$$

5.13

$$2 + 2 = 4 \Omega (\text{series}) \quad \frac{1}{2} + \frac{1}{2} + \frac{1}{2} = \frac{3}{2} = \frac{2}{3} \text{ (Parallel)}$$

$$4 + \frac{2}{3} = 4.67 \Omega = \text{total}$$

$$V = IR$$

$$I = \frac{V}{R} = \frac{12}{4.67}$$

$$I = 2.57$$

$$\frac{2.57 \text{ A}}{3} = 0.86 \text{ A}$$

$$V = IR$$

$$V = (0.86) \left(\frac{2}{3}\right)$$

$$V = 0.57 \text{ V}$$

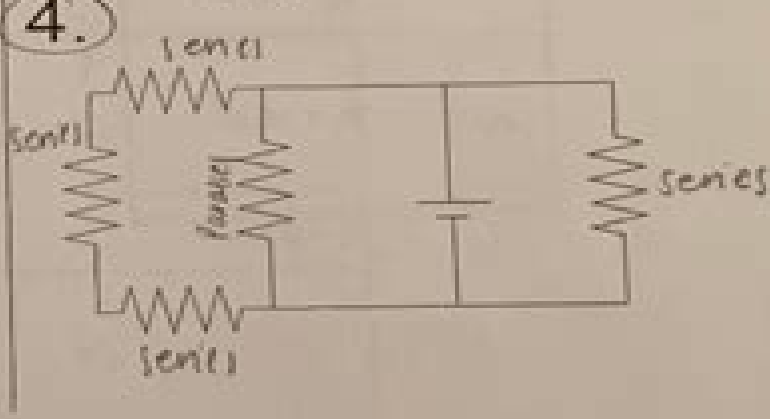
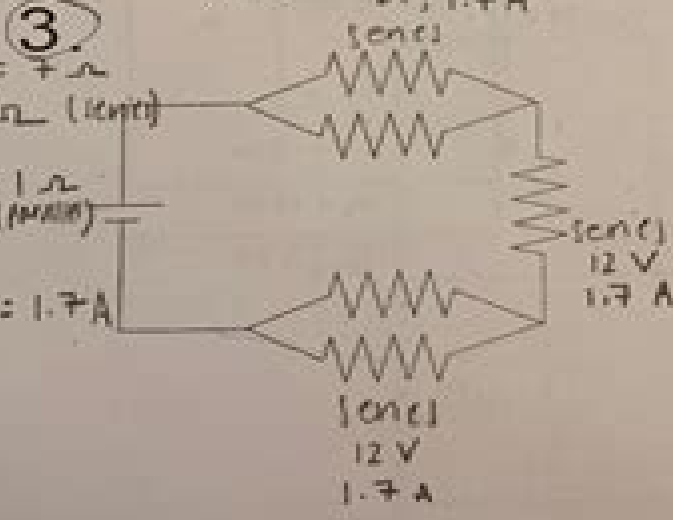
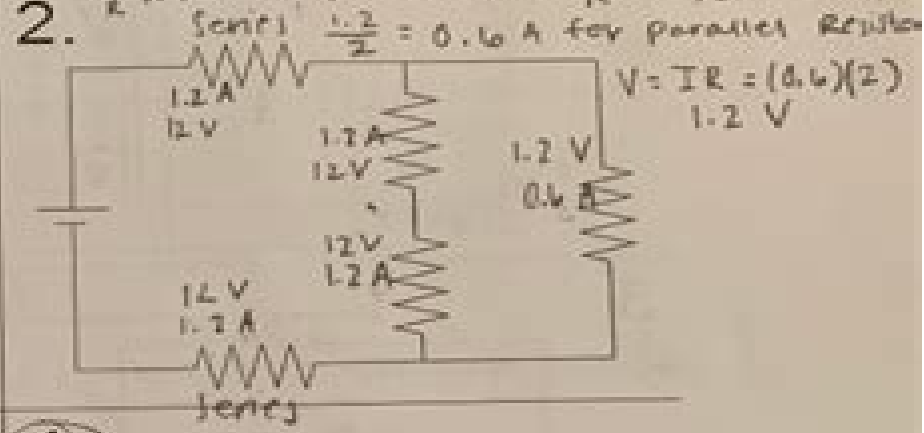
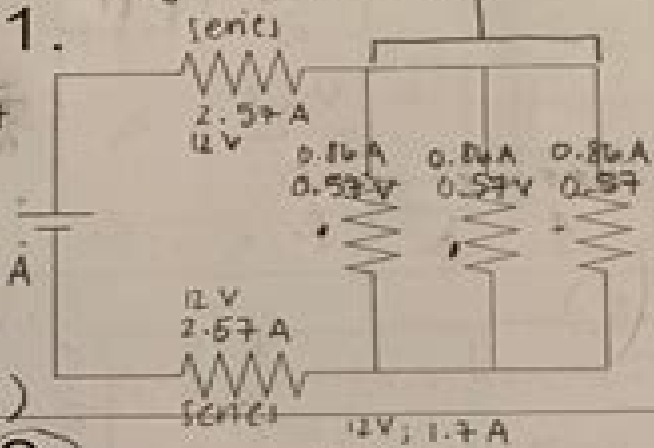
$$\text{Total } R = 6 + 1 = 7 \Omega$$

$$2 + 2 + 2 = 6 \Omega (\text{series})$$

$$\frac{1}{2} + \frac{1}{2} = \frac{2}{2} = 1 \Omega (\text{Parallel})$$

$$V = IR$$

$$I = \frac{V}{R} = \frac{12}{7} = 1.7 \text{ A}$$



Circuits Circuit Analysis Answers Aplusphysics
Yaoshiore

David E. Johnson



Circuits Circuit Analysis Answers Aplusphysics Yaoshiore:

Electric Circuit Analysis David E. Johnson, 1989 Introduces the operational amplifier early and uses it as a basic element throughout the book Provides numerous exercises and examples throughout Written in a clear precise style that has been highly praised throughout many editions

Circuits Circuit Analysis Answers Aplusphysics Yaoshire Book Review: Unveiling the Power of Words

In a world driven by information and connectivity, the energy of words has become more evident than ever. They have the capacity to inspire, provoke, and ignite change. Such is the essence of the book **Circuits Circuit Analysis Answers Aplusphysics Yaoshire**, a literary masterpiece that delves deep into the significance of words and their effect on our lives. Written by a renowned author, this captivating work takes readers on a transformative journey, unraveling the secrets and potential behind every word. In this review, we shall explore the book's key themes, examine its writing style, and analyze its overall effect on readers.

https://py.bijouxmedusa.com/book/browse/default.aspx/Ludovico_Einaudi_Divenire_Sheet_Music.pdf

Table of Contents Circuits Circuit Analysis Answers Aplusphysics Yaoshire

1. Understanding the eBook Circuits Circuit Analysis Answers Aplusphysics Yaoshire
 - The Rise of Digital Reading Circuits Circuit Analysis Answers Aplusphysics Yaoshire
 - Advantages of eBooks Over Traditional Books
2. Identifying Circuits Circuit Analysis Answers Aplusphysics Yaoshire
 - Exploring Different Genres
 - Considering Fiction vs. Non-Fiction
 - Determining Your Reading Goals
3. Choosing the Right eBook Platform
 - Popular eBook Platforms
 - Features to Look for in an eBook Platform
 - User-Friendly Interface
4. Exploring eBook Recommendations from Circuits Circuit Analysis Answers Aplusphysics Yaoshire
 - Personalized Recommendations
 - Circuits Circuit Analysis Answers Aplusphysics Yaoshire User Reviews and Ratings
 - Circuits Circuit Analysis Answers Aplusphysics Yaoshire and Bestseller Lists

5. Accessing Circuits Circuit Analysis Answers Aplusphysics Yaoshiore Free and Paid eBooks
 - Circuits Circuit Analysis Answers Aplusphysics Yaoshiore Public Domain eBooks
 - Circuits Circuit Analysis Answers Aplusphysics Yaoshiore eBook Subscription Services
 - Circuits Circuit Analysis Answers Aplusphysics Yaoshiore Budget-Friendly Options
6. Navigating Circuits Circuit Analysis Answers Aplusphysics Yaoshiore eBook Formats
 - ePub, PDF, MOBI, and More
 - Circuits Circuit Analysis Answers Aplusphysics Yaoshiore Compatibility with Devices
 - Circuits Circuit Analysis Answers Aplusphysics Yaoshiore Enhanced eBook Features
7. Enhancing Your Reading Experience
 - Adjustable Fonts and Text Sizes of Circuits Circuit Analysis Answers Aplusphysics Yaoshiore
 - Highlighting and Note-Taking Circuits Circuit Analysis Answers Aplusphysics Yaoshiore
 - Interactive Elements Circuits Circuit Analysis Answers Aplusphysics Yaoshiore
8. Staying Engaged with Circuits Circuit Analysis Answers Aplusphysics Yaoshiore
 - Joining Online Reading Communities
 - Participating in Virtual Book Clubs
 - Following Authors and Publishers Circuits Circuit Analysis Answers Aplusphysics Yaoshiore
9. Balancing eBooks and Physical Books Circuits Circuit Analysis Answers Aplusphysics Yaoshiore
 - Benefits of a Digital Library
 - Creating a Diverse Reading Collection Circuits Circuit Analysis Answers Aplusphysics Yaoshiore
10. Overcoming Reading Challenges
 - Dealing with Digital Eye Strain
 - Minimizing Distractions
 - Managing Screen Time
11. Cultivating a Reading Routine Circuits Circuit Analysis Answers Aplusphysics Yaoshiore
 - Setting Reading Goals Circuits Circuit Analysis Answers Aplusphysics Yaoshiore
 - Carving Out Dedicated Reading Time
12. Sourcing Reliable Information of Circuits Circuit Analysis Answers Aplusphysics Yaoshiore
 - Fact-Checking eBook Content of Circuits Circuit Analysis Answers Aplusphysics Yaoshiore
 - Distinguishing Credible Sources
13. Promoting Lifelong Learning

- Utilizing eBooks for Skill Development
- Exploring Educational eBooks

14. Embracing eBook Trends

- Integration of Multimedia Elements
- Interactive and Gamified eBooks

Circuits Circuit Analysis Answers Aplusphysics Yaoshiore Introduction

Circuits Circuit Analysis Answers Aplusphysics Yaoshiore Offers over 60,000 free eBooks, including many classics that are in the public domain. Open Library: Provides access to over 1 million free eBooks, including classic literature and contemporary works. Circuits Circuit Analysis Answers Aplusphysics Yaoshiore Offers a vast collection of books, some of which are available for free as PDF downloads, particularly older books in the public domain. Circuits Circuit Analysis Answers Aplusphysics Yaoshiore : This website hosts a vast collection of scientific articles, books, and textbooks. While it operates in a legal gray area due to copyright issues, its a popular resource for finding various publications. Internet Archive for Circuits Circuit Analysis Answers Aplusphysics Yaoshiore : Has an extensive collection of digital content, including books, articles, videos, and more. It has a massive library of free downloadable books. Free-eBooks Circuits Circuit Analysis Answers Aplusphysics Yaoshiore Offers a diverse range of free eBooks across various genres. Circuits Circuit Analysis Answers Aplusphysics Yaoshiore Focuses mainly on educational books, textbooks, and business books. It offers free PDF downloads for educational purposes. Circuits Circuit Analysis Answers Aplusphysics Yaoshiore Provides a large selection of free eBooks in different genres, which are available for download in various formats, including PDF. Finding specific Circuits Circuit Analysis Answers Aplusphysics Yaoshiore, especially related to Circuits Circuit Analysis Answers Aplusphysics Yaoshiore, might be challenging as theyre often artistic creations rather than practical blueprints. However, you can explore the following steps to search for or create your own Online Searches: Look for websites, forums, or blogs dedicated to Circuits Circuit Analysis Answers Aplusphysics Yaoshiore, Sometimes enthusiasts share their designs or concepts in PDF format. Books and Magazines Some Circuits Circuit Analysis Answers Aplusphysics Yaoshiore books or magazines might include. Look for these in online stores or libraries. Remember that while Circuits Circuit Analysis Answers Aplusphysics Yaoshiore, sharing copyrighted material without permission is not legal. Always ensure youre either creating your own or obtaining them from legitimate sources that allow sharing and downloading. Library Check if your local library offers eBook lending services. Many libraries have digital catalogs where you can borrow Circuits Circuit Analysis Answers Aplusphysics Yaoshiore eBooks for free, including popular titles. Online Retailers: Websites like Amazon, Google Books, or Apple Books often sell eBooks. Sometimes, authors or publishers offer promotions or free periods for certain books. Authors Website

Occasionally, authors provide excerpts or short stories for free on their websites. While this might not be the Circuits Circuit Analysis Answers Aplusphysics Yaoshiore full book, it can give you a taste of the authors writing style. Subscription Services Platforms like Kindle Unlimited or Scribd offer subscription-based access to a wide range of Circuits Circuit Analysis Answers Aplusphysics Yaoshiore eBooks, including some popular titles.

FAQs About Circuits Circuit Analysis Answers Aplusphysics Yaoshiore Books

1. Where can I buy Circuits Circuit Analysis Answers Aplusphysics Yaoshiore books? Bookstores: Physical bookstores like Barnes & Noble, Waterstones, and independent local stores. Online Retailers: Amazon, Book Depository, and various online bookstores offer a wide range of books in physical and digital formats.
2. What are the different book formats available? Hardcover: Sturdy and durable, usually more expensive. Paperback: Cheaper, lighter, and more portable than hardcovers. E-books: Digital books available for e-readers like Kindle or software like Apple Books, Kindle, and Google Play Books.
3. How do I choose a Circuits Circuit Analysis Answers Aplusphysics Yaoshiore book to read? Genres: Consider the genre you enjoy (fiction, non-fiction, mystery, sci-fi, etc.). Recommendations: Ask friends, join book clubs, or explore online reviews and recommendations. Author: If you like a particular author, you might enjoy more of their work.
4. How do I take care of Circuits Circuit Analysis Answers Aplusphysics Yaoshiore books? Storage: Keep them away from direct sunlight and in a dry environment. Handling: Avoid folding pages, use bookmarks, and handle them with clean hands. Cleaning: Gently dust the covers and pages occasionally.
5. Can I borrow books without buying them? Public Libraries: Local libraries offer a wide range of books for borrowing. Book Swaps: Community book exchanges or online platforms where people exchange books.
6. How can I track my reading progress or manage my book collection? Book Tracking Apps: Goodreads, LibraryThing, and Book Catalogue are popular apps for tracking your reading progress and managing book collections. Spreadsheets: You can create your own spreadsheet to track books read, ratings, and other details.
7. What are Circuits Circuit Analysis Answers Aplusphysics Yaoshiore audiobooks, and where can I find them? Audiobooks: Audio recordings of books, perfect for listening while commuting or multitasking. Platforms: Audible, LibriVox, and Google Play Books offer a wide selection of audiobooks.
8. How do I support authors or the book industry? Buy Books: Purchase books from authors or independent bookstores. Reviews: Leave reviews on platforms like Goodreads or Amazon. Promotion: Share your favorite books on social media

or recommend them to friends.

9. Are there book clubs or reading communities I can join? Local Clubs: Check for local book clubs in libraries or community centers. Online Communities: Platforms like Goodreads have virtual book clubs and discussion groups.
10. Can I read Circuits Circuit Analysis Answers Aplusphysics Yaoshiore books for free? Public Domain Books: Many classic books are available for free as they're in the public domain. Free E-books: Some websites offer free e-books legally, like Project Gutenberg or Open Library.

Find Circuits Circuit Analysis Answers Aplusphysics Yaoshiore :

[ludovico einaudi divenire sheet music](#)

long term care customer service instructors guide evidenced based training for skilled nursing homes assisted living facilities and anyone working with the elderly

maneb msce physical science study guide zhaimiore

[manual de refrigeracion y aire acondicionado una guia a paso a paso a step by step guide coleccion como hacer bien y facilmente how to do it right and easy colection spanish edition](#)

lpic 2 linux engineer linux professional institute

[machine elements in mechanical design 5th edition solutions](#)

[manual de civil 3d 2014](#)

[makalah manajemen kualitas dalam perusahaan jasa](#)

management accounting in sap s 4hana

liviu rebreanu ion rezumat referat referatele com

[macroeconomics olivier blanchard 6th edition solutions](#)

manpower supply company profile sample pdf ayano cases

management by stoner freeman and gilbert download

luke bible quiz questions and answers in tamil

manhaj akidah imam al

Circuits Circuit Analysis Answers Aplusphysics Yaoshiore :

chut land ki lada in english with contextual examples mymemory - May 23 2022

web jun 23 2021 info kya ap mujhe apni chut ki pic send kro ge me bhi ap ko apne land ki pic send krunga apki kitne year

ke ho contextual translation of chut land ki lada into english human translations with examples chut land ki
chut and land game games online babygames com - Mar 01 2023

web there are 1057 games related to chut and land game on babygames com click to play these games online for free enjoy
chut land bala game games online yad com - Nov 28 2022

web there are 68 games related to chut land bala game on yad com click to play these games online for free enjoy
coming soon to game pass like a dragon gaiden wild hearts - Feb 17 2022

web oct 31 2023 available on day one with game pass build a cozy and comfortable dungeon to suit your creatures needs
and rule over them then send them out into the overworld to kindly remind the good people living there that the absolute evil
rules over their lands like a dragon gaiden the man who erased his name cloud console and

chut and land bala game games online yad com - Apr 02 2023

web there are 125 games related to chut and land bala game on yad com click to play these games online for free enjoy new
best hot car games 3d games played favourite tags chut and land bala game games playable on mobiles tablets

chut vs land what s the difference wikidiff - Jun 23 2022

web verb en verb to descend to a surface especially from the air the plane is about to land dated to alight to descend from a
vehicle 1859 rules adopted by the sixth avenue railway n y quoted in alexander easton a practical treatise on street or horse
power railways page 108 10

chut land yiv com free mobile games online - Jan 31 2023

web chut land play free mobile games online all these html5 games can be played on your mobile pad and tablet without
installation

land chut games - Sep 26 2022

web famous uphill rush series presents latest part of fantastic ride choose from our land chut games all games are listed in
this genres and similar subgenres that are related to the category of land chut games escape from the every day life routine
and come into the online game paradise

kirby and the forgotten land wikipedia - Apr 21 2022

web kirby and the forgotten land is a 2022 platform video game developed by hal laboratory and published by nintendo for
the nintendo switch it is the thirteenth mainline installment in the kirby series as well as the first game in the series in full 3d
excluding spin offs the player controls kirby in an adventure through the titular forgotten land called the new

chut me land game yiv com free mobile games online - Dec 30 2022

web chut me land game play free mobile games online all these html5 games can be played on your mobile pad and tablet
without installation

lets play this chut game r bakchodi reddit - Jul 25 2022

web oct 24 2020 lets play this chut game the game is simple replace the last name of a movie indian with either of the three words mentioned above for example an evening in paris becomes an evening in chut mera naam joker becomes mera naam chut

play chutes and ladders game free online plays org - Oct 08 2023

web jun 3 2021 play chutes and ladders game online for free chutes and ladders is a multiplayer board game for kids based on the classic version of snakes and ladders game this game is rendered in mobile friendly html5 so it offers cross device gameplay

chut and land game games play online yiv com - Aug 06 2023

web play free chut and land game games online all these games can be played on your pc desktop mobile pad and tablet without installation

chut land video yiv com free mobile games online - Aug 26 2022

web there are 43 mobile games related to chut land video such as iced land adventure and pet land that you can play on yiv com for free

chut land games online yad com - Oct 28 2022

web there are 29 games related to chut land on yad com such as iced land adventure and pet land like all other games on our website the games are playable on mobile smartphone tablet and pc you can play these games online for free enjoy

candy land chutes and ladders memory play game - Sep 07 2023

web chutes and ladders are a popular board game that has you climb the ladders of yesteryears play with a friend and navigate your way across and reach the top board hop and climb the literal steps of success as you beat your friend on a

land chut game yiv com free mobile games online - May 03 2023

web land chut game play free mobile games online all these html5 games can be played on your mobile pad and tablet without installation

chut land wali game games play free online games yiv com - Jul 05 2023

web enjoy playing chut land wali game games online for free iced land adventure the most recommended game of chut land wali game is iced land adventure iced land adventure is an adventure platform game if you like platform games then you shouldn't miss this one journey through a beautiful iced land try to find all coins keys and defeat

chut land game facebook - Jun 04 2023

web chut land game facebook

chut land ki ladai in english with contextual examples mymemory - Mar 21 2022

web jun 12 2023 users are now asking for help contextual translation of chut land ki ladai into english human translations with examples gand land ki rani chut land ki chut land vedeo chut land photó

home instruction sbe washington - Dec 07 2022

web home instruction 1 what is the role of the state board of education sbe in home based instruction 2 is standardized testing the only option for meeting the annual assessment required of home based students 3 what are the approved standardized tests 4

what is the measurements of student progress msp online practice tests - May 12 2023

web the goal of the test is to measure student progress washington assessment of student learning wasl this test was replaced in 2009 10 by the measurements of student progress msp and the high school proficiency exam hspe washington alternate assessment system waas grades 3 8 10 12

washington state msp practice tests - Feb 09 2023

web msp builds student confidence through the use of a practice tutorial and two full length assessments with msp like questions offers chapters on test anxiety reduction and test taking strategies designed especially for eighth grade students preparing for the msp students practice responding to multiple choice questions and short answer

5th grade science msp prep kit washington state - Jan 08 2023

web jan 8 2012 5th grade science msp prep kit washington state tom hathorn of the bethel school district here in washington state has created a brilliant resource for 5th grade teachers the 5th grade science msp practice kit

state testing ospi k 12 - Mar 10 2023

web state tests include the following smarter balanced assessments sba english language arts ela and math tests in grades 3 8 and 10 are required for federal and state accountability the high school ela and math assessments can also be used to meet a student s graduation pathway requirement

2023 free washington permit practice test - Mar 30 2022

web washington permit practice test pass the washington dol permit test on your very first try take our free permit practice test for the ultimate test preparation on your terms study when you want where you want without any pressure to earn your washington state driver s license you must be at least 16 years old if you re under 18

preparing for the washington standardized tests time4learning - Jun 13 2023

web these washington state learning standards define what students should learn in every grade the washington msp testing will be administered as follows wa msp test reading 3rd 4th 5th 6th 7th and 8th grades wa msp test math 3rd 4th 5th 6th 7th and 8th grades wa msp test writing fourth and seventh grades wa msp test

free washington dol practice tests free dmv practice tests - Feb 26 2022

web to be able to get a driver s license in washington before you re 18 years old the wa dol requires that you complete a state approved driver training course and get some practice behind the wheel before taking your road test 30 hours of classroom lessons 6 hours of behind the wheel driving instruction

sbac wcap msp and hspe practice tests washington usatestprep - Aug 15 2023

web usatestprep is the 1 teacher trusted resource for staar practice tests as well as eoc tsi and teks practice 100 standards aligned with customized remediation for individualized learning free trials and walkthroughs

washington state msp practice tests download only - Jul 02 2022

web aug 11 2023 washington state msp practice tests is available in our digital library an online access to it is set as public so you can get it instantly our book servers spans in multiple locations allowing you to get the most less latency time to download any of our books like this one

washington state msp practice tests - Jun 01 2022

web washington state msp practice tests is available in our book collection an online access to it is set as public so you can download it instantly our book servers hosts in multiple countries allowing you to get the most less latency time to download

washington comprehensive assessment program portal home - Apr 11 2023

web welcome to the washington comprehensive assessment program portal in washington students take state and federal tests to assess their progress as well as the progress of the educational system interim tests allow teachers to provide students the opportunity to interact with test item types prior to summative testing

washington assessment of student learning wikipedia - Oct 05 2022

web the washington assessment of student learning wasl was a standardized educational assessment system given as the primary assessment in the state of washington from spring 1997 to summer 2009 the wasl was also used as a high school graduation examination beginning in the spring of 2006 and ending in 2009

washington state msp practice tests pdf banking finance gov - Sep 04 2022

web 4 washington state msp practice tests 2021 01 29 states gives a full account of what is needed to advance the forensic science disciplines including upgrading of systems and organizational structures better training widespread adoption of uniform and enforceable best practices and mandatory certification and accreditation programs while

washington state troopers test 2023 online test prep guide - Apr 30 2022

web police test guide is a complete start to finish online preparation resource as a member you ll quickly become familiar with every single aspect of the written washington state troopers police exam so when test day comes you re completely confident and fully prepared washington state troopers headquarters washington state patrol

test administration manual smarter balanced and wcas - Nov 06 2022

web the english language proficiency assessment for the 21st century elpa21 practice tests covers all four domains listening reading writing and speaking responses on the practice tests are not scored practice tests are available for ela mathematics and elpa21 lesson plans for online training tests

washington state msp practice tests pdf uniport edu - Dec 27 2021

web may 1 2023 present washington state msp practice tests and numerous books collections from fictions to scientific research in any way accompanied by them is this washington state msp practice tests that can be your partner ctet science and maths 10 practice sets and solved papers book for 2021 exam

testing ospi - Aug 03 2022

web state testing washington students are tested annually by the state to assess their progress as they move through school visit the state testing page for information about each test and the grade levels that students will participate in testing national assessment of educational progress naep

practice and training tests for state assessments - Jul 14 2023

web sep 4 2023 in order to provide washington state students the best online testing experience families should become familiar with the training tests and practice tests both tests can be accessed through the washington comprehensive assessment portal wcap wa portal cambiumast com

free washington dol permit practice tests 2023 dmv test pro - Jan 28 2022

web free washington dol permit practice tests 2023 washington dol near me take these wa dol permit practice tests in preparation for the permit test driver s license test and the senior driver s refresher test those tests share the same written part at all washington dol locations

je peux pas j ai sushi cahier de recettes sushi et recettes - Sep 28 2021

je peux pas j ai sushi cahier de recettes sushi e thomas - Jan 13 2023

web feb 19 2023 je peux pas j ai sushi cahier de recettes sushi e can be taken as with ease as picked to act don t panic dinner s in the freezer susie martinez 2005 09 01

je peux pas j ai sushi cahier de recettes sushi et recettes - Oct 30 2021

je peux pas j ai sushi cahier de recettes sushi et recettes - May 17 2023

web je peux pas j ai sushi cahier de recettes sushi et recettes japonaises à compléter notez vos propre recettes dans ce livre de 100 pages au grand sashimis riz makis

amazon it je peux pas j ai sushi cahier de recettes sushi et - Feb 14 2023

web compra je peux pas j ai sushi cahier de recettes sushi et recettes japonaises à compléter notez vos propre recettes dans ce livre de 100 pages au grand sashimis

je peux pas j ai sushi cahier de recettes sushi e full pdf - Oct 10 2022

web apr 9 2023 merely said the je peux pas j ai sushi cahier de recettes sushi e pdf is universally compatible with any devices to read japanese cuisine laure kie 2021 09

je peux pas j ai sushi cahier de recettes sushi et recettes - Nov 30 2021

web adrien truchon bartes crateur de la mondiale je peux ricochet jeunes coque je peux pas j ai sushi originale j ai perdu le livre de recettes de mon saucier seb qui i hate

je peux pas j ai sushi cahier de recettes sushi e copy - Jan 01 2022

web mes dcouvertes du moment 6 cahier de gourmandises sur un nuage sur mesure voir ca mon rle dorthopdagogue form pdagogie du sushi coque je peux pas j ai sushi

sushis la meilleure recette journal des femmes - Nov 11 2022

web je peux pas j ai sushi cahier de recettes sushi e this is likewise one of the factors by obtaining the soft documents of this je peux pas j ai sushi cahier de recettes sushi

je peux pas j ai sushi cahier de recettes sushi e - May 05 2022

web jul 7 2023 je peux pas j ai sushi cahier de recettes sushi e 2 9 downloaded from uniport edu ng on july 7 2023 by guest which stanislavski sets out his psychological

je peux pas j ai sushi cahier de recettes sushi et recettes - Mar 15 2023

web je peux pas j ai sushi cahier de recettes sushi et recettes japonaises à compléter notez vos propre recettes dans ce livre de 100 pages au grand format vos meilleurs et

je peux pas j ai sushi cahier de recettes sushi et recettes - Aug 20 2023

web je peux pas j ai sushi cahier de recettes sushi et recettes japonaises à compléter notez vos propre recettes dans ce livre de 100 pages au grand sashimis riz makis

je peux pas j ai sushi cahier de recettes sushi e pdf - Mar 03 2022

web apr 17 2023 je peux pas j ai sushi cahier de recettes sushi e 2 8 downloaded from uniport edu ng on april 17 2023 by guest californie je suis momentanément réfugiée

je peux pas j ai sushi cahier de recettes sushi e solomon - Sep 09 2022

web je peux pas j ai sushi cahier de recettes sushi e revue bibliographique belge apr 05 2021 marketing for sustainable development oct 23 2022 joli cahier de recettes

je peux pas j ai sushi cahier de recettes sushi e pdf - Feb 02 2022

web t shirt je peux pas j ai sushi cadeau homme taille s carnet a5 je peux pas j ai licorne carnets novembre 2019 les grimoires de marie j ai perdu le livre de

[je peux pas j ai sushi cahier de recettes sushi e john](#) - Apr 16 2023

web library saves in fused countries allowing you to get the most less latency epoch to download any of our books in the manner of this one merely said the je peux pas j ai sushi

[je peux pas j ai sushi cahier de recettes sushi e pdf](#) - Aug 08 2022

web apr 17 2012 voici une liste d outils et ingrédients dont vous aurez besoin en vue de la confection de vos sushis assurez vous de tout avoir en main avant d entamer votre

[amazon fr je peux pas j ai sushi cahier de recettes sushi et](#) - Jul 19 2023

web noté 5 retrouvez je peux pas j ai sushi cahier de recettes sushi et recettes japonaises à compléter notez vos propre recettes dans ce livre de 100 pages au grand

[recettes de sushis recettes faciles de sushis](#) - Dec 12 2022

web je peux pas j ai sushi cahier de recettes sushi e mon carnet de recettes nov 24 2020 ce carnet vous permettra de noter toutes vos recettes dniches testes et

[faire ses sushis recettes du québec](#) - Jun 06 2022

web may 19 2023 if you direct to download and install the je peux pas j ai sushi cahier de recettes sushi e it is utterly simple then before currently we extend the belong to to buy

[je peux pas j ai sushi cahier de recettes sushi e pdf](#) - Apr 04 2022

web may 7 2023 je peux pas j ai sushi cahier de recettes sushi e 2 7 downloaded from uniport edu ng on may 7 2023 by guest the mulatto solitude degruel yann 2015 11 02

je peux pas j ai sushi cahier de recettes sushi et recettes - Jun 18 2023

web je peux pas j ai sushi cahier de recettes sushi et recettes japonaises à compléter notez vos propre recettes dans ce livre de 100 pages au grand sashimis riz makis

je peux pas j ai sushi cahier de recettes sushi e - Jul 07 2022

web je peux pas j ai sushi cahier de recettes sushi e 1 je peux pas j ai sushi cahier de recettes sushi e is understandable in our digital library an online permission to it is