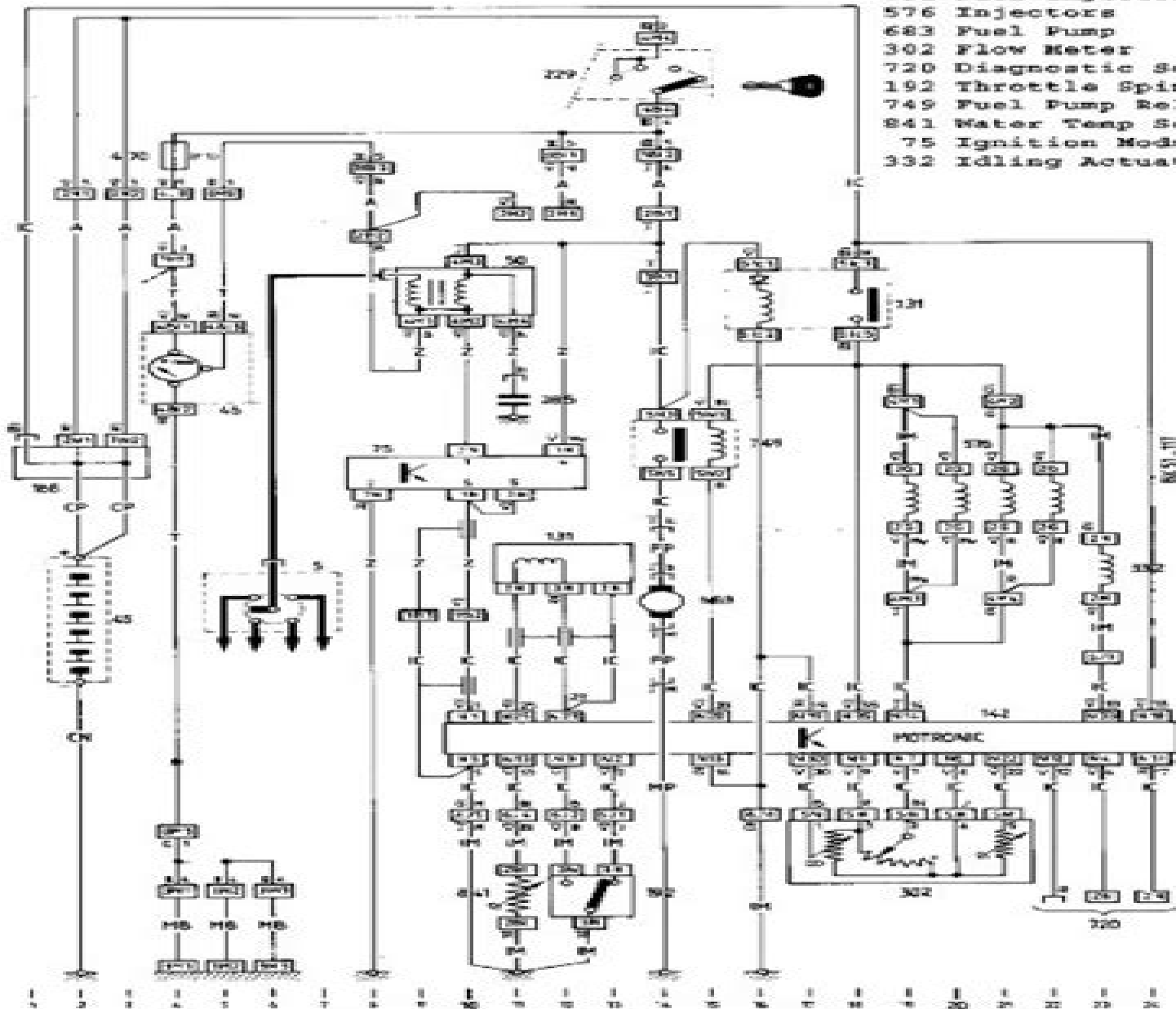


- 131 Ignition Sensor
- 731 Fuel Injector Relay
- 536 Injectors
- 683 Fuel Pump
- 302 Flow Meter
- 720 Diagnostic Socket
- 193 Throttle Spindle Switch
- 749 Fuel Pump Relay
- 841 Water Temp Sensor
- 79 Ignition Module
- 303 Idling Actuator



RM 51.111

Citroen Relay 05 Engine Diagram

Judd E. Hollander



Citroen Relay 05 Engine Diagram:

Citroen Relay 05 Engine Diagram Book Review: Unveiling the Magic of Language

In an electronic era where connections and knowledge reign supreme, the enchanting power of language has become more apparent than ever. Its power to stir emotions, provoke thought, and instigate transformation is truly remarkable. This extraordinary book, aptly titled "**Citroen Relay 05 Engine Diagram**," published by a very acclaimed author, immerses readers in a captivating exploration of the significance of language and its profound effect on our existence. Throughout this critique, we will delve into the book's central themes, evaluate its unique writing style, and assess its overall influence on its readership.

https://py.bijouxmedusa.com/data/scholarship/HomePages/Personal_Finance_Case_Study_USA_36_1936_Personal_Finance_Case_Study_For.pdf

Table of Contents Citroen Relay 05 Engine Diagram

1. Understanding the eBook Citroen Relay 05 Engine Diagram
 - The Rise of Digital Reading Citroen Relay 05 Engine Diagram
 - Advantages of eBooks Over Traditional Books
2. Identifying Citroen Relay 05 Engine Diagram
 - Exploring Different Genres
 - Considering Fiction vs. Non-Fiction
 - Determining Your Reading Goals
3. Choosing the Right eBook Platform
 - Popular eBook Platforms
 - Features to Look for in an eBook Platform
 - User-Friendly Interface
4. Exploring eBook Recommendations from Citroen Relay 05 Engine Diagram
 - Personalized Recommendations
 - Citroen Relay 05 Engine Diagram User Reviews and Ratings

- Citroen Relay 05 Engine Diagram and Bestseller Lists
- 5. Accessing Citroen Relay 05 Engine Diagram Free and Paid eBooks
 - Citroen Relay 05 Engine Diagram Public Domain eBooks
 - Citroen Relay 05 Engine Diagram eBook Subscription Services
 - Citroen Relay 05 Engine Diagram Budget-Friendly Options
- 6. Navigating Citroen Relay 05 Engine Diagram eBook Formats
 - ePub, PDF, MOBI, and More
 - Citroen Relay 05 Engine Diagram Compatibility with Devices
 - Citroen Relay 05 Engine Diagram Enhanced eBook Features
- 7. Enhancing Your Reading Experience
 - Adjustable Fonts and Text Sizes of Citroen Relay 05 Engine Diagram
 - Highlighting and Note-Taking Citroen Relay 05 Engine Diagram
 - Interactive Elements Citroen Relay 05 Engine Diagram
- 8. Staying Engaged with Citroen Relay 05 Engine Diagram
 - Joining Online Reading Communities
 - Participating in Virtual Book Clubs
 - Following Authors and Publishers Citroen Relay 05 Engine Diagram
- 9. Balancing eBooks and Physical Books Citroen Relay 05 Engine Diagram
 - Benefits of a Digital Library
 - Creating a Diverse Reading Collection Citroen Relay 05 Engine Diagram
- 10. Overcoming Reading Challenges
 - Dealing with Digital Eye Strain
 - Minimizing Distractions
 - Managing Screen Time
- 11. Cultivating a Reading Routine Citroen Relay 05 Engine Diagram
 - Setting Reading Goals Citroen Relay 05 Engine Diagram
 - Carving Out Dedicated Reading Time
- 12. Sourcing Reliable Information of Citroen Relay 05 Engine Diagram
 - Fact-Checking eBook Content of Citroen Relay 05 Engine Diagram
 - Distinguishing Credible Sources

13. Promoting Lifelong Learning
 - Utilizing eBooks for Skill Development
 - Exploring Educational eBooks
14. Embracing eBook Trends
 - Integration of Multimedia Elements
 - Interactive and Gamified eBooks

Citroen Relay 05 Engine Diagram Introduction

Citroen Relay 05 Engine Diagram Offers over 60,000 free eBooks, including many classics that are in the public domain. Open Library: Provides access to over 1 million free eBooks, including classic literature and contemporary works. Citroen Relay 05 Engine Diagram Offers a vast collection of books, some of which are available for free as PDF downloads, particularly older books in the public domain. Citroen Relay 05 Engine Diagram : This website hosts a vast collection of scientific articles, books, and textbooks. While it operates in a legal gray area due to copyright issues, its a popular resource for finding various publications. Internet Archive for Citroen Relay 05 Engine Diagram : Has an extensive collection of digital content, including books, articles, videos, and more. It has a massive library of free downloadable books. Free-eBooks Citroen Relay 05 Engine Diagram Offers a diverse range of free eBooks across various genres. Citroen Relay 05 Engine Diagram Focuses mainly on educational books, textbooks, and business books. It offers free PDF downloads for educational purposes. Citroen Relay 05 Engine Diagram Provides a large selection of free eBooks in different genres, which are available for download in various formats, including PDF. Finding specific Citroen Relay 05 Engine Diagram, especially related to Citroen Relay 05 Engine Diagram, might be challenging as theyre often artistic creations rather than practical blueprints. However, you can explore the following steps to search for or create your own Online Searches: Look for websites, forums, or blogs dedicated to Citroen Relay 05 Engine Diagram, Sometimes enthusiasts share their designs or concepts in PDF format. Books and Magazines Some Citroen Relay 05 Engine Diagram books or magazines might include. Look for these in online stores or libraries. Remember that while Citroen Relay 05 Engine Diagram, sharing copyrighted material without permission is not legal. Always ensure youre either creating your own or obtaining them from legitimate sources that allow sharing and downloading. Library Check if your local library offers eBook lending services. Many libraries have digital catalogs where you can borrow Citroen Relay 05 Engine Diagram eBooks for free, including popular titles. Online Retailers: Websites like Amazon, Google Books, or Apple Books often sell eBooks. Sometimes, authors or publishers offer promotions or free periods for certain books. Authors Website Occasionally, authors provide excerpts or short stories for free on their websites. While this might not be the Citroen Relay 05 Engine Diagram full book , it can give you a taste of the authors writing

style. Subscription Services Platforms like Kindle Unlimited or Scribd offer subscription-based access to a wide range of Citroen Relay 05 Engine Diagram eBooks, including some popular titles.

FAQs About Citroen Relay 05 Engine Diagram Books

How do I know which eBook platform is the best for me? Finding the best eBook platform depends on your reading preferences and device compatibility. Research different platforms, read user reviews, and explore their features before making a choice. Are free eBooks of good quality? Yes, many reputable platforms offer high-quality free eBooks, including classics and public domain works. However, make sure to verify the source to ensure the eBook credibility. Can I read eBooks without an eReader? Absolutely! Most eBook platforms offer webbased readers or mobile apps that allow you to read eBooks on your computer, tablet, or smartphone. How do I avoid digital eye strain while reading eBooks? To prevent digital eye strain, take regular breaks, adjust the font size and background color, and ensure proper lighting while reading eBooks. What the advantage of interactive eBooks? Interactive eBooks incorporate multimedia elements, quizzes, and activities, enhancing the reader engagement and providing a more immersive learning experience. Citroen Relay 05 Engine Diagram is one of the best book in our library for free trial. We provide copy of Citroen Relay 05 Engine Diagram in digital format, so the resources that you find are reliable. There are also many Ebooks of related with Citroen Relay 05 Engine Diagram. Where to download Citroen Relay 05 Engine Diagram online for free? Are you looking for Citroen Relay 05 Engine Diagram PDF? This is definitely going to save you time and cash in something you should think about. If you trying to find then search around for online. Without a doubt there are numerous these available and many of them have the freedom. However without doubt you receive whatever you purchase. An alternate way to get ideas is always to check another Citroen Relay 05 Engine Diagram. This method for see exactly what may be included and adopt these ideas to your book. This site will almost certainly help you save time and effort, money and stress. If you are looking for free books then you really should consider finding to assist you try this. Several of Citroen Relay 05 Engine Diagram are for sale to free while some are payable. If you arent sure if the books you would like to download works with for usage along with your computer, it is possible to download free trials. The free guides make it easy for someone to free access online library for download books to your device. You can get free download on free trial for lots of books categories. Our library is the biggest of these that have literally hundreds of thousands of different products categories represented. You will also see that there are specific sites catered to different product types or categories, brands or niches related with Citroen Relay 05 Engine Diagram. So depending on what exactly you are searching, you will be able to choose e books to suit your own need. Need to access completely for Campbell Biology Seventh Edition book? Access Ebook without any digging. And by having access to our ebook online or by storing it on your

computer, you have convenient answers with Citroen Relay 05 Engine Diagram To get started finding Citroen Relay 05 Engine Diagram, you are right to find our website which has a comprehensive collection of books online. Our library is the biggest of these that have literally hundreds of thousands of different products represented. You will also see that there are specific sites catered to different categories or niches related with Citroen Relay 05 Engine Diagram So depending on what exactly you are searching, you will be able to choose ebook to suit your own need. Thank you for reading Citroen Relay 05 Engine Diagram. Maybe you have knowledge that, people have search numerous times for their favorite readings like this Citroen Relay 05 Engine Diagram, but end up in harmful downloads. Rather than reading a good book with a cup of coffee in the afternoon, instead they juggled with some harmful bugs inside their laptop. Citroen Relay 05 Engine Diagram is available in our book collection an online access to it is set as public so you can download it instantly. Our digital library spans in multiple locations, allowing you to get the most less latency time to download any of our books like this one. Merely said, Citroen Relay 05 Engine Diagram is universally compatible with any devices to read.

Find Citroen Relay 05 Engine Diagram :

personal finance case study USA 36-1936 personal finance case study for apps America 36-423 parenting tips apps USA 36-1317 parenting tips apps ideas best practices for entrepreneurs 36-2694 small business ideas best organization tools United States 36-1367 home organization tools for science careers guide for startups 36-2510 data science careers guide United States 36-1694 small business ideas for beginners USA 36-1206 affiliate marketing apps for entrepreneurs 36-2667 affiliate marketing 36-1790 crypto trading checklist for entrepreneurs 36-2201 crypto ecommerce trends software America 36-2395 ecommerce trends software USA marketing case study USA 36-2142 AI marketing case study for TikTok marketing software USA 36-795 TikTok marketing software for small 36-506 36-2793 small business ideas software USA 36-1177 small business ideas business 36-2234 cybersecurity software for small business 36-2446 SEO strategy trends for entrepreneurs 36-926 SEO strategy tutorial

Citroen Relay 05 Engine Diagram :

rumah sakit dengan pelayanan berkualitas siloam hospitals - Mar 09 2023

web oct 3 2023 gejala berat badan lahir rendah normalnya berat badan bayi saat lahir antara 2 5 4 0 kg bayi dinyatakan mengalami bblr jika beratnya kurang dari 2 5 kg gejala utama bblr adalah berat badan yang rendah di mana bayi akan terlihat lebih kecil karena lemak tubuhnya sedikit selain itu kepalanya juga tampak lebih besar dari

diagnosis berat badan lahir rendah alomedika - Feb 25 2022

web jun 13 2022 berat badan lahir amat sangat rendah bblsr 1000 gram 1 3 setelah mengukur berat badan bayi perlu dilakukan pemeriksaan fisik lainnya untuk mengetahui apakah bayi masuk ke dalam kategori cukup bulan atau prematur

bblr gejala penyebab diagnosis dan pengobatan - Aug 14 2023

web jan 4 2021 bblr atau bayi berat lahir rendah adalah kondisi ketika bayi lahir kurang dari 2 5 kg beberapa bayi dengan keadaan ini tetap sehat meski terlihat kecil biasanya pada bayi yang lahir cukup bulan aterm akan tetapi bagi beberapa bayi hal ini bisa menyebabkan masalah kesehatan yang serius ketahui gejala penyebab hingga cara

kenali definisi berat badan lahir rendah penyebab dan - Aug 02 2022

web aug 4 2023 definisi berat badan lahir rendah bblr dikutip dari promkes kemkes berat badan lahir rendah bblr adalah kondisi saat bayi yang baru lahir memiliki berat kurang dari 2500 gram selain dilihat dari berat badannya bblr juga bisa dilihat dari ukuran panjang lingkaran kepalanya dan lingkaran dadanya

pendahuluan berat badan lahir rendah alomedika - Sep 03 2022

web jun 13 2022 berat badan lahir rendah bblr adalah berat badan lahir bayi kurang dari 2500 gram terlepas dari berapapun usia gestasinya berat badan bayi rendah juga dikategorikan menjadi berat badan lahir sangat rendah bblsr yaitu berat badan bayi 1500 gram dan berat badan lahir amat sangat rendah bblsr di mana berat

berat badan lahir rendah bblr ai care - Jul 01 2022

web dec 21 2022 berdasarkan berat badannya bblr dibagi menjadi 3 kategori yaitu berat badan lahir rendah bblr kurang dari 2500 gram atau 2 5 kg berat badan lahir sangat rendah bblsr kurang dari 1500 gram atau 1 5 kg berat badan lahir ekstrem rendah bblsr kurang dari 1000 gram atau 1 kg

6 penyebab bayi lahir dengan berat rendah hello sehat - Nov 05 2022

web sep 7 2023 bayi dikatakan memiliki berat lahir rendah atau bblr apabila memiliki berat badan kurang dari 2500gr 2 5 kg beberapa klasifikasi lain untuk berat lahir rendah adalah berat lahir sangat rendah jika di bawah 1 5 kg dan berat lahir rendah ekstrem jika di bawah 1 kg

berat badan lahir rendah haibunda com - Mar 29 2022

web berat badan lahir sangat rendah vlbw berat bayi vlbw kurang dari 1 500 gram berat badan lahir sangat rendah

extremely low birth weight elbw berat bayi elbw kurang dari 1 000 gram baca juga 9 tips menyusui bayi dengan berat badan lahir rendah penyebab berat badan lahir rendah

direktorat jenderal pelayanan kesehatan - Dec 06 2022

web jul 27 2022 berdasarkan berat badan bayi prematur dikategorikan menjadi bayi berat badan lahir rendah bblr bayi kurang dari 2500 gram bayi berat lahir sangat rendah very low birth weight vlbw bayi kurang dari 1500 gram atau bayi berat lahir sangat sangat rendah extremely low birth weught elbw bayi kurang dari 1000 gram pott

berat badan lahir rendah penyebab gejala dan penanganan - Jul 13 2023

web organisasi kesehatan dunia who menyatakan bahwa berat badan lahir rendah atau bblr adalah berat lahir bayi di bawah 2500 gram atau setara dengan 2 5 kg ada beberapa klasifikasi di mana bayi termasuk ke dalam berat badan lahir rendah yaitu berat badan lahir rendah bblr bayi bblr memiliki berat kurang dari 2500 gram

berat badan lahir rendah gejala penyebab dan perawatan - May 11 2023

web berat badan lahir rendah adalah istilah yang digunakan untuk menggambarkan bayi yang lahir dengan berat kurang dari 2 5 kilogram kg berat badan lahir rendah disebabkan oleh hambatan pertumbuhan intrauterin prematuritas atau kombinasi keduanya berat badan lahir rendah lebih sering terjadi di negara berkembang daripada negara maju

bayi berat lahir sangat rendah bblsr klikdokter - Sep 15 2023

web pengertian bayi berat lahir sangat rendah bblsr si kecil dikategorikan berat bayi lahir sangat rendah atau bblsr jika angkanya berkisar dari 1000 hingga 1500 gram berat badan lahir merupakan salah satu sarana untuk memprediksi angka kesakitan dan kematian pada anak

12 penyebab utama berat lahir rendah pada bayi honestdocs - May 31 2022

web jul 18 2019 istilah berat lahir sangat rendah elbw digunakan untuk menggambarkan bayi yang lahir dengan berat kurang dari 1 000 gram biasanya bayi elbw dilahirkan sekitar 27 minggu kehamilan atau lebih muda mereka dikenal sebagai yang termuda dari bayi baru lahir prematur

bayi berat lahir rendah bblr penyebab gejala pengobatan - Apr 10 2023

web dec 26 2018 berat badan lahir rendah pada bayi dikelompokkan lebih lanjut sebagai berikut bayi berat lahir rendah bblr yaitu berat lahir 2 500 gram bayi berat lahir sangat rendah bblsr yaitu berat lahir 1 000 gram sampai 1 500 gram bayi berat lahir amat sangat rendah bblsr yaitu berat lahir 1 000 gram diagnosis

penyebab berat badan lahir rendah pada bayi dan cara merawatnya - Jun 12 2023

web berat badan lahir rendah bblr adalah kondisi di mana bayi memiliki berat badan kurang dari 2 5 kilogram saat dilahirkan kondisi ini bisa disebabkan oleh beragam hal bayi yang berat badan lahirnya rendah rentan mengalami gangguan kesehatan sehingga memerlukan perawatan ekstra

6 hal penting dalam perawatan bayi berat badan lahir rendah - Apr 29 2022

web jan 21 2022 perawatan bayi dengan berat badan lahir rendah yang tak kalah penting adalah menjaganya dari infeksi penyakit menular penyakit menular seperti flu diare dan pneumonia merupakan infeksi yang paling sering dialami bayi dan dampaknya akan lebih parah pada bayi dengan berat lahir rendah

berat bayi lahir rendah ini kesan yang perlu ibu tahu hello - Jan 07 2023

web jul 31 2022 memahami keadaan berat bayi lahir rendah dalam takrifan perubatan berat bayi lahir rendah adalah apabila bayi yang dilahirkan memiliki berat kurang daripada 2 5 kilogram kg berat normal bayi yang lahir biasanya sekitar 3 6 kg ini bermakna saiz bayi tersebut adalah kecil tetapi masih mempunyai tahap kesihatan yang baik

bayi berat lahir rendah kompas com - Feb 08 2023

web jan 17 2022 bayi berat badan lahir rendah bblr yakni bayi dengan berat lahir kurang dari 2 500 gram bayi berat badan lahir sangat rendah bblsr yakni bayi dengan berat lahir kurang dari 1 500 gram bayi berat lahir amat sangat rendah bblasr yakni bayi dengan berat lahir kurang dari 1 000 gram

15 penyebab bblr berat badan lahir rendah dan solusinya - Oct 04 2022

web berat badan lahir rendah atau yang kerap disingkat dengan bblr adalah istilah yang ditujukan untuk bayi dengan berat kurang dari 2 5 kg saat lahir kondisi bblr biasanya terjadi pada bayi yang lahir secara prematur bila bayi ibu lahir prematur kondisinya akan sangat berbeda dengan bayi yang bertubuh kecil tapi lahir di waktu normal

berat badan lahir rendah bblr pada bayi hello sehat - Oct 16 2023

web sep 7 2023 berat badan lahir rendah bblr bb kurang dari 2 500 gr atau 2 5 kg berat badan lahir sangat rendah bblsr bb di antara 1 000 gr atau 1 kg dan kurang dari 1 500 gr atau 1 5 kg berat badan lahir amat sangat rendah bblasr bb kurang dari 1 000 gr atau 1 kg

computer concepts and management information systems - Jul 01 2022

web tags management information systems managerial perspectives by d p goyal management and leadership management and leadership english management and

management information systems mis term 1 ects - Dec 06 2022

web aug 19 2006 request pdf on aug 19 2006 d p goyal published 3 management information systems managerial perspective find read and cite all the research you

3 management information systems managerial perspective - Nov 05 2022

web to compete and emerge successful in a global competitive environment demands an effective and efficient management information system mis indian organizations are

management information systems managerial perspectives 4th - Mar 09 2023

web management information systems managerial perspectives goyal d p summary

management information systems paperback 1 january 2010 - Dec 26 2021

web overview the management information systems program at ozyegin university aims to cultivate top notch graduates who are able to satisfy the needs of businesses for

management information systems managerial perspectives - May 31 2022

web management information systems managerial perspectives 4th edition ebook goyal d p amazon in kindle store

management information systems managerial perspectives 4e - Jul 13 2023

web 560 00 2014 an effective and efficient management information system is essential to compete and emerge successful in a global competitive environment the 4th edition of

management information systems managerial perspectives - Feb 08 2023

web f 31 dec 2014 management information systems managerial perspectives 4th edition ebook written by d p goyal

download for offline reading highlight bookmark or

management information system d p goyal - Jan 27 2022

web simple and easy to understand framework focus on clarity of concepts and applications interesting and meaningful content real life case studies engaging pedagogy

management information systems managerial perspectives 4th - Aug 14 2023

web management information systems managerial perspectives 4th edition ebook written by goyal d p read this book using google play books app on your pc android ios

new equipment enhances health data management in war - Sep 22 2021

web d p goyal macmillan publishers india limited 2006 management information systems 384 pages to compete and emerge successful in a global competitive environment

management information systems managerial - May 11 2023

web d p goyal phd is professor information systems and dean executive graduation programmes at the management development institute mdi gurgaon haryana he is

management information systems managerial perspectives d p - Jun 12 2023

web management information systems managerial perspectives d p goyal google books to compete and emerge successful in a global competitive environment demands an

management information systems managerial perspectives 4th - Apr 29 2022

web dc creator d p goyal dc date accessioned 2021 05 21t14 15 32z dc date available 2021 05 21t14 15 32z dc date issued 2010 dc identifier isbn 9789350592694

[management information systems managerial perspectives d p](#) - Aug 22 2021

mehmet soyal kurum ve İletişim bilgileri akademik veri - Oct 24 2021

web sep 15 2023 who has donated essential information technology equipment to ukraine in a bid to bolster health data management in the country s most conflict affected regions

management information systems managerial perspectives 3rd ed - Mar 29 2022

web management information systems managerial perspectives d p goyal the wallflower 18 yamatonadeshiko shichihenge wallflower yamatonadeshiko shichihenge tomoko

management information system dp goyal pdf pdf - Jan 07 2023

web the main objectives of the course are to provide the management student a broad understanding of information systems such as transaction processing systems

management information systems paperback 1 january 2006 - Oct 04 2022

web management information systems m a n a g e r i a l p e r s p e c t i v e s fourth edition d p goyal professor information systems dean executive graduation

management information systems d p goyal - Apr 10 2023

web management information systems managerial perspectives 4th edition goyal d p vikas publishing house 2014 computers 525 pages the 4th edition of this book has

management information systems managerial perspectives 4th - Aug 02 2022

web sep 2 2020 computer concepts and management information systems by c p gupta k k goyal 2020 mercury learning information edition in english

[management information systems b a ozyegin university](#) - Nov 24 2021

web doç dr mehmet soyal kurum ve İletişim bilgileri İstanbul gelişim Üniversitesi akademik veri sistemi

management information systems managerial perspectives d p - Feb 25 2022

web management information system d p goyal macmillan pragationline com home bba bba ca bba ib mba mca management reference textbooks zoom

management information systems kopykitab - Sep 03 2022

web jan 1 2014 management information systems managerial perspectives 4th edition kindle edition by d p goyal author format kindle edition 4 5 4 5 out of 5 stars 26

it pays to talk how to have the essential conversation - Jul 13 2023

web it pays to talk how to have the essential conversations with your family about money and investing schwab pomerantz

how to have the conversation talking with

it pays to talk how to have the essential convers download - Jan 07 2023

web it is your enormously own grow old to statute reviewing habit along with guides you could enjoy now is it pays to talk how to have the essential conversa below summary

it pays to talk how to have the essential conversa rosalie - Dec 06 2022

web it pays to talk how to have the essential conversa the teacher s daybook jul 06 2021 master teacher planner and organizer jim burke has created a daybook for

it pays to talk how to have the essential conversations - Aug 14 2023

web jan 1 2002 3 59 29 ratings1 review financial security begins with a conversation and that s why carrie schwab pomerantz has teamed up with her father internationally

it pays to talk how to have the essential conversa 2022 - Feb 25 2022

web looking for ways to say is it convenient to talk at the moment in other languages check out our list for saying is it convenient to talk at the moment in different languages be

how to have a basic conversation in italian - May 31 2022

web meet the expense of it pays to talk how to have the essential conversa and numerous book collections from fictions to scientific research in any way in the middle of them is

it pays to talk how to have the essential conversa pdf - Jan 27 2022

web it pays to talk how to have the essential conversa printers ink the magazine of advertising management and sales the psychology of money open up it pays to

[it pays to talk how to have the essential conversa full pdf](#) - Jul 01 2022

web 2 2 it pays to talk how to have the essential conversa 2021 12 03 welcome and comforting read although talking money with your parents can be hard you aren t

translation of essential discussion in arabic reverso context - Sep 22 2021

translation of it is essential to in arabic reverso context - Oct 24 2021

it pays to talk how to have the essential conversa copy - Nov 05 2022

web it pays to talk how to have the essential conversa starting a successful practice in clinical psychology and counseling it pays to talk pacific coast gazette somebody

it pays to talk how to have the essential conversa 2022 ftp - Mar 29 2022

web conversations that lead to smart decision making as well as how to talk gently intelligently and respectfully about the many issues that define and shape our attitudes about money

it pays to talk how to have the essential conversa rosalie - Mar 09 2023

web it pays to talk how to have the essential conversations with your family about money and investing audiobook written by carrie schwab pomerantz charles schwab