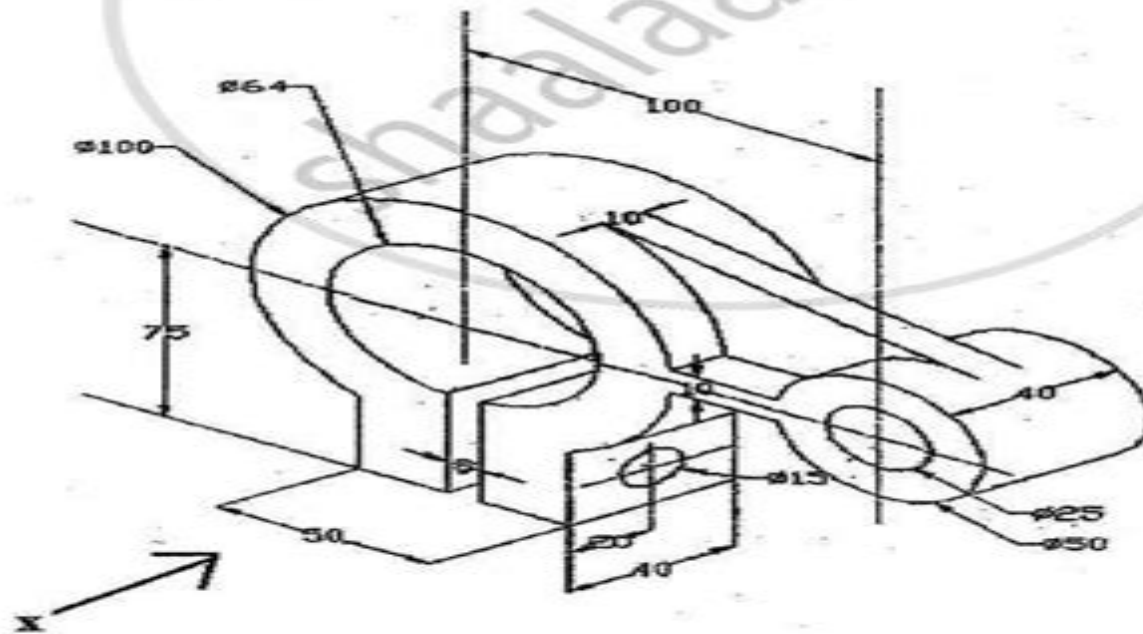


- N. B. :** (1) Question No. 1 is compulsory. Answer any three from the remaining five questions.
(2) All dimensions are in mm.
(3) Assume suitable data, wherever required.
(4) Use pencil only to draw diagrams.
(5) Use only first angle of projection.
(6) Retain all construction lines.

1. (a) A line AB 100 mm long is tangent at the top of a circular disc of 70 mm. diameter. The point A is at the top of the circumference. The line AB rolls around the circumference of the circular disc in a clockwise direction. Draw the locus of the end 'A', till the end B touches the circle. Name the curve. 6
- (b) Pictorial view of a block is shown in figure. Draw its : (i) F. V. along 'X' and (ii) RHSV 9



Civil Engineering Drawing First Semester

Purdue University



Civil Engineering Drawing First Semester:

Delve into the emotional tapestry woven by in **Civil Engineering Drawing First Semester** . This ebook, available for download in a PDF format (PDF Size: *), is more than just words on a page; it's a journey of connection and profound emotion. Immerse yourself in narratives that tug at your heartstrings. Download now to experience the pulse of each page and let your emotions run wild.

https://py.bijouxmedusa.com/About/book-search/Download_PDFS/a_cloudy_path_worm_supreme_commander_spacebattles_forums.pdf

Table of Contents Civil Engineering Drawing First Semester

1. Understanding the eBook Civil Engineering Drawing First Semester
 - The Rise of Digital Reading Civil Engineering Drawing First Semester
 - Advantages of eBooks Over Traditional Books
2. Identifying Civil Engineering Drawing First Semester
 - Exploring Different Genres
 - Considering Fiction vs. Non-Fiction
 - Determining Your Reading Goals
3. Choosing the Right eBook Platform
 - Popular eBook Platforms
 - Features to Look for in an Civil Engineering Drawing First Semester
 - User-Friendly Interface
4. Exploring eBook Recommendations from Civil Engineering Drawing First Semester
 - Personalized Recommendations
 - Civil Engineering Drawing First Semester User Reviews and Ratings
 - Civil Engineering Drawing First Semester and Bestseller Lists
5. Accessing Civil Engineering Drawing First Semester Free and Paid eBooks
 - Civil Engineering Drawing First Semester Public Domain eBooks
 - Civil Engineering Drawing First Semester eBook Subscription Services

- Civil Engineering Drawing First Semester Budget-Friendly Options
- 6. Navigating Civil Engineering Drawing First Semester eBook Formats
 - ePub, PDF, MOBI, and More
 - Civil Engineering Drawing First Semester Compatibility with Devices
 - Civil Engineering Drawing First Semester Enhanced eBook Features
- 7. Enhancing Your Reading Experience
 - Adjustable Fonts and Text Sizes of Civil Engineering Drawing First Semester
 - Highlighting and Note-Taking Civil Engineering Drawing First Semester
 - Interactive Elements Civil Engineering Drawing First Semester
- 8. Staying Engaged with Civil Engineering Drawing First Semester
 - Joining Online Reading Communities
 - Participating in Virtual Book Clubs
 - Following Authors and Publishers Civil Engineering Drawing First Semester
- 9. Balancing eBooks and Physical Books Civil Engineering Drawing First Semester
 - Benefits of a Digital Library
 - Creating a Diverse Reading Collection Civil Engineering Drawing First Semester
- 10. Overcoming Reading Challenges
 - Dealing with Digital Eye Strain
 - Minimizing Distractions
 - Managing Screen Time
- 11. Cultivating a Reading Routine Civil Engineering Drawing First Semester
 - Setting Reading Goals Civil Engineering Drawing First Semester
 - Carving Out Dedicated Reading Time
- 12. Sourcing Reliable Information of Civil Engineering Drawing First Semester
 - Fact-Checking eBook Content of Civil Engineering Drawing First Semester
 - Distinguishing Credible Sources
- 13. Promoting Lifelong Learning
 - Utilizing eBooks for Skill Development
 - Exploring Educational eBooks
- 14. Embracing eBook Trends

- Integration of Multimedia Elements
- Interactive and Gamified eBooks

Civil Engineering Drawing First Semester Introduction

Free PDF Books and Manuals for Download: Unlocking Knowledge at Your Fingertips In today's fast-paced digital age, obtaining valuable knowledge has become easier than ever. Thanks to the internet, a vast array of books and manuals are now available for free download in PDF format. Whether you are a student, professional, or simply an avid reader, this treasure trove of downloadable resources offers a wealth of information, conveniently accessible anytime, anywhere. The advent of online libraries and platforms dedicated to sharing knowledge has revolutionized the way we consume information. No longer confined to physical libraries or bookstores, readers can now access an extensive collection of digital books and manuals with just a few clicks. These resources, available in PDF, Microsoft Word, and PowerPoint formats, cater to a wide range of interests, including literature, technology, science, history, and much more. One notable platform where you can explore and download free Civil Engineering Drawing First Semester PDF books and manuals is the internet's largest free library. Hosted online, this catalog compiles a vast assortment of documents, making it a veritable goldmine of knowledge. With its easy-to-use website interface and customizable PDF generator, this platform offers a user-friendly experience, allowing individuals to effortlessly navigate and access the information they seek. The availability of free PDF books and manuals on this platform demonstrates its commitment to democratizing education and empowering individuals with the tools needed to succeed in their chosen fields. It allows anyone, regardless of their background or financial limitations, to expand their horizons and gain insights from experts in various disciplines. One of the most significant advantages of downloading PDF books and manuals lies in their portability. Unlike physical copies, digital books can be stored and carried on a single device, such as a tablet or smartphone, saving valuable space and weight. This convenience makes it possible for readers to have their entire library at their fingertips, whether they are commuting, traveling, or simply enjoying a lazy afternoon at home. Additionally, digital files are easily searchable, enabling readers to locate specific information within seconds. With a few keystrokes, users can search for keywords, topics, or phrases, making research and finding relevant information a breeze. This efficiency saves time and effort, streamlining the learning process and allowing individuals to focus on extracting the information they need. Furthermore, the availability of free PDF books and manuals fosters a culture of continuous learning. By removing financial barriers, more people can access educational resources and pursue lifelong learning, contributing to personal growth and professional development. This democratization of knowledge promotes intellectual curiosity and empowers individuals to become lifelong learners, promoting progress and innovation in various fields. It is worth noting that while accessing free Civil Engineering Drawing First Semester PDF books and manuals is

convenient and cost-effective, it is vital to respect copyright laws and intellectual property rights. Platforms offering free downloads often operate within legal boundaries, ensuring that the materials they provide are either in the public domain or authorized for distribution. By adhering to copyright laws, users can enjoy the benefits of free access to knowledge while supporting the authors and publishers who make these resources available. In conclusion, the availability of Civil Engineering Drawing First Semester free PDF books and manuals for download has revolutionized the way we access and consume knowledge. With just a few clicks, individuals can explore a vast collection of resources across different disciplines, all free of charge. This accessibility empowers individuals to become lifelong learners, contributing to personal growth, professional development, and the advancement of society as a whole. So why not unlock a world of knowledge today? Start exploring the vast sea of free PDF books and manuals waiting to be discovered right at your fingertips.

FAQs About Civil Engineering Drawing First Semester Books

What is a Civil Engineering Drawing First Semester PDF? A PDF (Portable Document Format) is a file format developed by Adobe that preserves the layout and formatting of a document, regardless of the software, hardware, or operating system used to view or print it. **How do I create a Civil Engineering Drawing First Semester PDF?** There are several ways to create a PDF: Use software like Adobe Acrobat, Microsoft Word, or Google Docs, which often have built-in PDF creation tools. Print to PDF: Many applications and operating systems have a "Print to PDF" option that allows you to save a document as a PDF file instead of printing it on paper. Online converters: There are various online tools that can convert different file types to PDF. **How do I edit a Civil Engineering Drawing First Semester PDF?** Editing a PDF can be done with software like Adobe Acrobat, which allows direct editing of text, images, and other elements within the PDF. Some free tools, like PDFescape or Smallpdf, also offer basic editing capabilities. **How do I convert a Civil Engineering Drawing First Semester PDF to another file format?** There are multiple ways to convert a PDF to another format: Use online converters like Smallpdf, Zamzar, or Adobe Acrobats export feature to convert PDFs to formats like Word, Excel, JPEG, etc. Software like Adobe Acrobat, Microsoft Word, or other PDF editors may have options to export or save PDFs in different formats. **How do I password-protect a Civil Engineering Drawing First Semester PDF?** Most PDF editing software allows you to add password protection. In Adobe Acrobat, for instance, you can go to "File" -> "Properties" -> "Security" to set a password to restrict access or editing capabilities. Are there any free alternatives to Adobe Acrobat for working with PDFs? Yes, there are many free alternatives for working with PDFs, such as: LibreOffice: Offers PDF editing features. PDFsam: Allows splitting, merging, and editing PDFs. Foxit Reader: Provides basic PDF viewing and editing capabilities. How do I compress a PDF file? You can use online tools like Smallpdf, ILovePDF, or desktop software like Adobe Acrobat to compress PDF files without

significant quality loss. Compression reduces the file size, making it easier to share and download. Can I fill out forms in a PDF file? Yes, most PDF viewers/editors like Adobe Acrobat, Preview (on Mac), or various online tools allow you to fill out forms in PDF files by selecting text fields and entering information. Are there any restrictions when working with PDFs? Some PDFs might have restrictions set by their creator, such as password protection, editing restrictions, or print restrictions. Breaking these restrictions might require specific software or tools, which may or may not be legal depending on the circumstances and local laws.

Find Civil Engineering Drawing First Semester :

[a cloudy path worm supreme commander spacebattles forums](#)

a vision in architecture projects for the istanbul zorlu center

~~7 supporting private sector development in the middle east~~

7 segment display interfacing with 8051

[97 things every software architect should know](#)

[8051 microcontroller 4th edition scott mackenzie](#)

a320 wiring diagram

a study of angels

a first course in fluid mechanics

a greek english lexicon of the new testament and other early christian literature

[8886285051 it25](#)

a tolkien bestiary david day

a dictionary of psychology oxford quick reference

[a level sociology notes](#)

a world of ideas essential readings for college writers

Civil Engineering Drawing First Semester :

deutz 2012 bf4m2012 bf4m2012 c bf6m2012 c service manual - Oct 14 2022

deutz bf4m2012 bf4m2012 c bf6m2012 c engineworkshop repair manualenglish deutsch francaisespanol 370 plus pages format the real dealdiesel engines bf4m2012 bf4m2012 c bf6m2012 cworkshop repair manual in formatpays for itself the first time you r

deutz service manuals tcd 2012 bf4m2012 bf4m2012c - Mar 19 2023

2012 manuals we carry service manuals for deutz 2012 engines including models tcd 2012 bf4m2012 and bf4m2012c for your convenience you can access our inventory through the product links listed below

deutz bf4m2012c engine workshop service repair manual - Jan 17 2023

oct 12 2023 it is complete original factory for deutz bf4m2012c engine service manual covers all the service and repair information about deutz bf4m2012c engine the information in this manual covers everything you need to know when you want to repair deutz bf4m2012c engine models covered deutz bf4m2012c engine manual covers

bf4m2012c 64kw 1500rpm deutz water pump power pack - Apr 08 2022

deutz bf4m2012c engine has the following characteristics fast and powerful response to changing operating duties dynamic power development low cost for noise insulation measures low exhaust emission for a clean environment etc

deutz bf4m2012 bf6m2012 workshop manual manuals online - Dec 16 2022

deutz bfm2012 workshop manual this is the factory workshop manual 366 pages this manual covers following models bf4m2012 bf4m2012c bf6m2012c table of contents 1 specification data key to symbols 2 control and adjustment 3 repair of components 4 disassembly and re assembly of complete engine 5 removal and installation of compnents 5

deutz bf4m 2012 manuals manualslib - Apr 20 2023

deutz bf4m 2012 manuals manuals and user guides for deutz bf4m 2012 we have 1 deutz bf4m 2012 manual available for free pdf download operation manual

deutz engine operation service workshop manuals pdf free - Sep 25 2023

aug 10 2018 deutz engine manuals free download deutz engines 912 bf4m2012 f4m2011 bf4m2011 1011f operators service and maintenance manuals error codes list dtc spare parts manuals catalogues wiring diagrams schematics free download pdf deutz engine manuals free download are available for free download

deutz bf4m2012 bf4m2012 c bf6m2012 c engine s issuu - Mar 07 2022

sep 30 2013 deutz bf4m2012 bf4m2012 c bf6m2012 c engine service manual download here deutz bf4m2012 bf4m2012 c bf6m2012 c engine service manual english deutsch francais espanol 370 plus pages pdf format

deutz engine documentation genset manual - May 21 2023

deutz engine documentation genset manual bf4m2012c d2oc74 9 50 hz 4 5 deutz ag inlet exhaust data prp maximum intake depression switch setting 25 mbar combustion air volume 267 4 m3 h maximum exhaust back pressure 30 mbar maximum exhaust gas temperature 600 c exhaust gas flow at above temp 829 m3 h exhaust flange pipe diameter 92 mm

2012 deutz bf4m operation manual pdf download issuu - May 09 2022

sep 17 2020 2012 deutz bf4m operation manual foreword liquid cooled deutz engines are designed for a large number of

applications consequently a wide range of variants are offered to meet the requirements

technical specs bf 4 m 2012 c deutz - Jul 11 2022

get more in depth insight with deutz bf 4 m 2012 c specifications on lectura specs lectura valuation specs press shop events supported by models menu models construction machinery 35918 articulated dump trucks 410 attachments 12177 backhoe loaders 744 service provided by download datasheets pdf bf 4 m 2012 c deutz

deutz fahr diesel engine 2012 serie bf4m2012 c bf6m2012c workshop manual - Feb 18 2023

description workshop manual deutz fahr diesel engine bf4m2012 bf4m2012c bf6m2012c 376 pages in english or deutsch francais espanol italiano polish portogues you will receive the downloadlink of the digital manual pdf in deutz engine bfm 2012 workshop manual service manual - Jun 22 2023

deutz engine bfm 2012 workshop manual deutz engine bfm 2012 workshop manual pdf 8 82 mb downloads 1016 gracias por darnos la oportunidad de conocer este motor

deutz bfm 2012 service manual manualmachine com - Jul 23 2023

this workshop manual describes the appropriate operations for any repair and adjustment work on the engine and engine components it is presumed that this work will be carried out by qualified personnel this operation manual has been designed for quick and easy understanding

deutz engine bf4m2012 bf6m1013fc bfm1013 1012 1013 - Feb 06 2022

deutz dalian deutz bfm1013 series engine parts catalog pdf deutz deutz 1015 engine spare parts catalog pdf deutz deutz bf4m2012 series engine spare parts pdf deutz deutz bf6m1013 series engine parts catalog pdf deutz deutz engine 1012 spare parts catalogue pdf deutz deutz engine 1013 spare parts catalogue pdf

download deutz bf4m2012c engine service manual - Aug 12 2022

download deutz bf4m2012c engine service manual it is complete original factory for deutz bf4m2012c engine service manual covers all the service and repair information about deutz bf4m2012c engine the information in this manual covers everything you need to know when you want to repair deutz bf4m2012c engine

deutz bf4m 2012c engine operation and maintenance service manual - Nov 15 2022

this deutz bf4m 2012c engine operation and maintenance manual pdf download provides detailed instructions illustrations and diagrams for proper operation and maintenance of your engine it includes step by step instructions diagrams and

deutz bf4m 2012 operation manual pdf download manualslib - Aug 24 2023

view and download deutz bf4m 2012 operation manual online bf4m 2012 engine pdf manual download also for bf4m 2012 c bf6m 2012 c

deutz bf4m2012 bf4m2012 c bf6m2012 c engine service manual - Jun 10 2022

deutz bf4m2012 bf4m2012 c bf6m2012 c engine service manual english deutsch francais espanol 370 plus pages pdf format diesel engines bf4m2012 bf4m2012 c bf6m2012 c workshop repair manual in pdf format pays for itself the first time you repair your tractor engine contents specification data key to

[deutz bf4m 2011 manuals manualslib](#) - Sep 13 2022

deutz bf4m 2011 manuals manuals and user guides for deutz bf4m 2011 we have 1 deutz bf4m 2011 manual available for free pdf download operation manual

le petit ogre la princesse grenouille cp série verte furet du - Jun 03 2022

web le petit ogre la princesse grenouille cp série verte de plongez vous dans le livre paul thiès au format album ajoutez le à votre liste de souhaits ou abonnez vous à l auteur paul thiès livraison gratuite à 0 01 dès 35 d achat furet du nord

le petit ogre la princesse grenouille cp série verte decitre - Oct 07 2022

web mar 1 2002 sous 24 48h le petit ogre la princesse grenouille cp série verte de paul thiès collection ribambelle livraison gratuite à 0 01 dès 35 d achat librairie decitre votre prochain livre est là

le petit ogre et la princesse grenouille paul thiès babelio - Sep 18 2023

web feb 20 2002 16 février 2016 l histoire incroyable d un ogrillon hors norme parce qu il ne veut dévorer personne et qui part à la découverte du monde son chemin croisera tour à tour une sorcière et une princesse lesquelles transformeront sa vie un album jeunesse très drôle et tendre qui bouscule un peu les codes de l univers fantastique

août 2011 bout de gomme - Sep 06 2022

web le petit ogre et la princesse grenouille fait partie de la méthode de lecture cp ribambelle vous aurez le tapuscrit en 5ième période excellent petit album pouvant aussi être étudié en début ce1 voici les fiches d exercices de julie un grand merci à elle

le petit ogre la princesse grenouille texte 1 paul thiès pages 5 et - Aug 17 2023

web le petit ogre la princesse grenouille texte 7 pages 23 à 26 un drôle de repas zéphyrin ne dévora donc personne ce jour là à pat un moustiue et une founi l ogillon dort encore dans les bois sur un lit de feuilles mortes le lendemain matin il macha longtemps le vente toujours vide et aiva au bod d un étang vet et très sombre

le petit ogre et la princesse grenouille l école de chenapan - May 02 2022

web jul 18 2011 le petit ogre et la princesse grenouille par chenapan dans c2 français littérature production d écrit le 18 juillet 2011 à 10 59 avec mes cp j ai étudié un album de la collection ribambelle le petit ogre et la princesse grenouille voici le tapuscrit

le petit ogre et la princesse grenouille senscritique - Feb 11 2023

web toutes les informations zéphyrin le petit ogre qui n a jamais dévoré personne mangera t il mirabelle la jolie princesse

transformée en grenouille listes littérature cycle 2 voir plus de listes le petit ogre et la princesse grenouille est un livre de paul thiès résumé zéphyrin le petit ogre qui n a jamais dévoré personne

le petit ogre et la princesse grenouille lalibrairie com - Jan 10 2023

web mar 1 2002 marie christine olivier 11 50 nichoirs et mangeoires fabriquer abriter nourrir protéger sylvie bézuel indisponible découvrez et achetez le livre le petit ogre et la princesse grenouille écrit par paul thiès et

le petit ogre la princesse grenouille librairie eyrolles - Feb 28 2022

web le petit ogre la princesse grenouille d analyser l audience du site et vous donnent la possibilité de partager des contenus sur les réseaux sociaux nous conservons vos choix pendant 6 mois vous pouvez changer d avis à tout moment en cliquant sur paramétrer les cookies en bas de chaque page de notre site

autour des ogres ma sélection de livres lutin bazar - Jul 04 2022

web jan 26 2011 le petit ogre et la princesse grenouille Écrit par paul thiès et illustré par christian heinrich aux éditions hatier résumé cette année je vais retravailler sur les ogres et ayant pour la première fois des ce2 je voulais faire babayaga dont j ai vu que tu avais mis en ligne un fichier de questions

le petit ogre et la princesse grenouille rallye lecture en ligne - Apr 01 2022

web le petit ogre et la princesse grenouille thiès paul contehumour albumamourogreprince princessesorcière magie 4 5 1 vote 3 9 5 567 votes question 1

le petit ogre et la princesse grenouille de paul thiès - Jul 16 2023

web oct 23 2020 travail en lien avec la compréhension de texte au cp a mettre en réseau avec des contes traditionnel comme le petit poucet et jacques et le haricot magiqu

tapuscrit le petit ogre et la princesse grenouille - Dec 09 2022

web apr 29 2013 par bonpointbonnetdane dans lecture le 29 avril 2013 à 19 03 voici le tapuscrit du dernier album de la méthode ribambelle série verte le petit ogre et la princesse grenouille de paul thiès et christian heinrich la version pour les élèves en difficulté comporte les graphèmes complexes en rouge les mots outils que les élèves

le petit ogre et la princesse grenouille ac normandie fr - Aug 05 2022

web il était une fois un petit ogre qui s appelait zéphyrin et qui n était vraiment pas doué il n arrivait pas à croquer les gens son père et sa mère des ogres épouvantables se faisaient beaucoup de souci pour leur fils un matin zéphyrin se planta devant la glace de sa chambre et dit à voix haute ca ne peut pas continuer comme ça

le petit ogre et la princesse grenouille broché fnac - Nov 08 2022

web le petit ogre et la princesse grenouille occasion État bon très bon 3 25 bon 5 99 correct 5 99 vendu et expédié par recyclivre 4 5 730 608 ventes pays d expédition france métropolitaine commentaires du vendeur attention ancien support de

bibliothèque plastifié étiquettes

[le petit ogre et la princesse grenouille prénom paul thiès date](#) - Jun 15 2023

web le petit ogre et la princesse grenouille paul thiès comment s appelle l ogrillon il s appelle zéphyrin pourquoi ses parents se font ils du souci ils s inquiètent car il n arrive pas à croquer les gens À qui appartient le doigt de pied velu griffu barbu le doigt appartient à la sorcière malgriffue comment le petit ogre réussit il à s enfuir

le petit ogre et la princesse grenouille - Mar 12 2023

web le petit ogre et la princesse grenouille le petit ogre apprend à ses parents à se laver comme des grands dec 11 2021 chez moi à l heure où tous mes copains prennent leur bain mon papa il dit oh ça peut bien attendre demain parce qu il n aime pas trop se laver il trouve qu on a une bonne odeur et il a envie de la garder alors un

[le petit ogre et la princesse grenouille amazon fr](#) - May 14 2023

web paul thiès suivre le petit ogre et la princesse grenouille broché illustré 20 février 2002 de paul thiès auteur christian heinrich illustrations 4 8 58 évaluations afficher tous les formats et éditions broché 4 10 30 autres d occasion 6 autres neuf l histoire

le petit ogre et la princesse grenouille titline à l école - Oct 19 2023

web may 7 2014 pour cette 5ème période nous allons lire un autre album de la collection ribambelle dont nous avons les séries en classe l album le petit ogre et la princesse grenouille de paul thiès illustré par christian heinrich donc comme pour la période 4 plus de fiches de lecture du soir pour le porte vues lecture directement dans l

[le petit ogre et la princesse grenouille livre de paul thiès](#) - Apr 13 2023

web le petit ogre et la princesse grenouille 3 notes 1 commentaire 1 extrait auteur paul thiès Écrivain achat neuf 4 10 amazon 3 90 fnac amazon ca voir les prix achat occasion 1 17 amazon 3 89 fnac résumé zéphyrin le petit ogre qui n a jamais dévoré personne mangera t il mirabelle la jolie princesse transformée en grenouille

free baritone saxophone sheet music 8notes com - Jun 06 2022

web louie louie by richard berry digital sheet music for alto saxophone baritone saxophone tenor saxophone download print a0 779791 sheet music plus

barisaxlouielouiesheetmusic lennie niehaus 2023 - Feb 02 2022

[baritone saxophone top sheet music downloads at](#) - Apr 04 2022

[louie louie sheet music for tambourine saxophone](#) - Mar 15 2023

web 90 off play the music you love without limits for just 7 99 0 77 week billed annually at 39 99 view official scores licensed

from print music publishers download and print

louie louie arr johnnie vinson eb baritone saxophone - Dec 12 2022

web bari sax louie louiesheet music is to hand in our digital library an online access to it is set as public in view of that you can download it instantly our digital library saves in

the kingsmen louie louie sheet music tenor saxophone - Jan 01 2022

bari sax solo 1 sheet music for saxophone baritone solo - Jul 07 2022

web louie louie by richard berry digital sheet music for baritone saxophone piano download print a0 1091640 sheet music plus

louie louie sheet music for piano saxophone alto - Jun 18 2023

web download and print louie louie sheet music for baritone sax and piano by kingsmen from sheet music direct pass unlimited access to over 1 million arrangements for

louie louie sheet music 21 arrangements - Feb 14 2023

web aug 20 2013 play the music you love without limits for just 7 99 0 77 week billed annually at 39 99 view official scores licensed from print music publishers download

louie louie sheet music kingsmen baritone sax and piano - Jan 13 2023

web minuet vivaldi spring from the four seasons 1 2 free free baritone saxophone sheet music sheet music pieces to download from 8notes com

louie louie the kingsmen louie louie sheet music for - Jul 19 2023

web nov 12 2022 download and print in pdf or midi free sheet music for louie louie by the kingsmen arranged by samuelprozie for piano cornet saxophone alto saxophone

the kingsmen louie louie sheet music in a major - Sep 09 2022

web georgia on my mind sheet music ray charles 1997 11 01 piano vocal this sheet music features an arrangement for piano and voice with guitar chord frames with the

louie louie the kingsmen louie louie sheet music for piano - Apr 16 2023

web product details artist kingsmen score type interactive pdf included with pass writer richard berry format digital sheet music pages 1 arrangement tenor sax solo

bari sax louie louiesheet music gordon jack - May 05 2022

louie louie sheet music for piano saxophone alto - May 17 2023

web print and download louie louie arr johnnie vinson eb baritone saxophone sheet music music notes for score and parts
sheet music by the kingsmen hal leonard

louie louie sheet music plus - Nov 30 2021

bari sax louie louiesheet music pdf uniport edu - Mar 03 2022

bari sax solo sheet music for saxophone baritone solo - Aug 08 2022

web print and download louie louie sheet music by the kingsmen arranged for tenor saxophone instrumental solo in c major
sku mn0104356

louie louie sheet music kingsmen tenor sax solo - Oct 10 2022

web apr 29 2023 merely said the bari sax louie louiesheet music is universally compatible with any devices to read essential
songs for trumpet 2008 06 instrumental folio this

louie louie by richard berry digital sheet music for - Oct 30 2021

louie louie for bari sax sheet music for saxophone - Aug 20 2023

web oct 22 2021 download and print in pdf or midi free sheet music for louie louie by the kingsmen arranged by buddyscore
for saxophone alto saxophone baritone snare

the kingsmen louie louie sheet music alto - Nov 11 2022

web top songs baritone saxophone our best selling baritone saxophone sheet music sort by instrument or genre browse all
baritone saxophone title artist 1 how ya