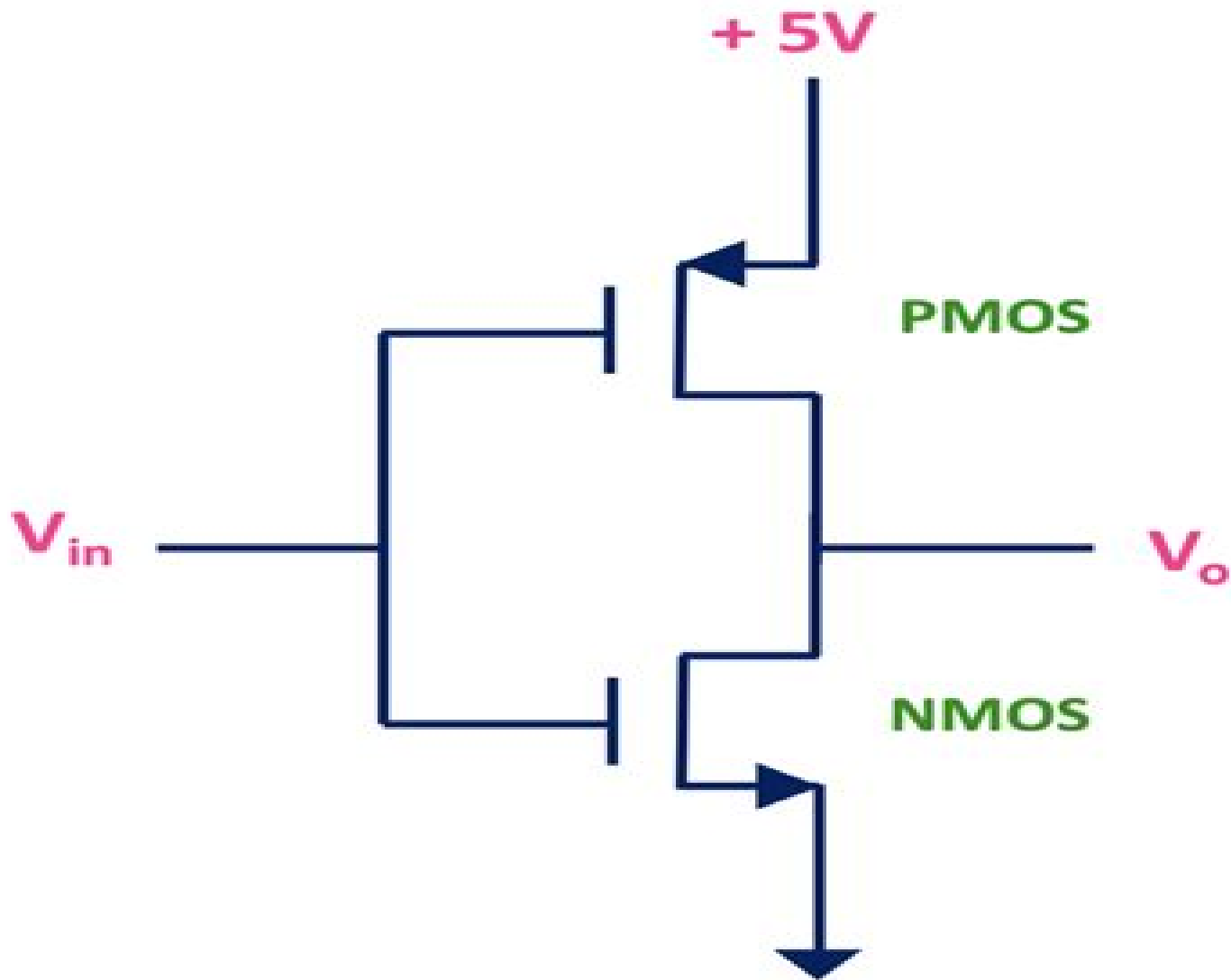


# CMOS Inverter



# Cmos Technology Logic Data Text

**WJ Hussar**



## **Cmos Technology Logic Data Text:**

**Top-Down Digital VLSI Design** Hubert Kaeslin, 2014-12-07 Top Down VLSI Design From Architectures to Gate Level Circuits and FPGAs represents a unique approach to learning digital design Developed from more than 20 years teaching circuit design Doctor Kaeslin s approach follows the natural VLSI design flow and makes circuit design accessible for professionals with a background in systems engineering or digital signal processing It begins with hardware architecture and promotes a system level view first considering the type of intended application and letting that guide your design choices Doctor Kaeslin presents modern considerations for handling circuit complexity throughput and energy efficiency while preserving functionality The book focuses on application specific integrated circuits ASICs which along with FPGAs are increasingly used to develop products with applications in telecommunications IT security biomedical automotive and computer vision industries Topics include field programmable logic algorithms verification modeling hardware synchronous clocking and more Demonstrates a top down approach to digital VLSI design Provides a systematic overview of architecture optimization techniques Features a chapter on field programmable logic devices their technologies and architectures Includes checklists hints and warnings for various design situations Emphasizes design flows that do not overlook important action items and which include alternative options when planning the development of microelectronic circuits

**VLSI-SoC: System-on-Chip in the Nanoscale Era - Design, Verification and Reliability** Thomas Hollstein, Jaan Raik, Sergei Kostin, Anton Tšertov, Ian O'Connor, Ricardo Reis, 2017-08-31 This book contains extended and revised versions of the best papers presented at the 24th IFIP WG 10.5 IEEE International Conference on Very Large Scale Integration VLSI SoC 2016 held in Tallinn Estonia in September 2016 The 11 papers included in the book were carefully reviewed and selected from the 36 full papers presented at the conference The papers cover a wide range of topics in VLSI technology and advanced research They address the latest scientific and industrial results and developments as well as future trends in the field of System on Chip SoC Design

**New Advances in Semiconductors** Alberto Adriano Cavalheiro, 2022-06-15 New Advances in Semiconductors brings together contributions from important researchers around the world on semiconductor materials and their applications It includes seven chapters in two sections Calculations and Simulations in Semiconductors and Semiconductor Materials The world will emerge different after the social and economic reorganizations caused by the COVID 19 pandemic and will be even more dependent on semiconductors than ever before New Advances in Semiconductors is a book that brings together the contributions of important researchers around the world and is able to give an idea about the different characteristics of semiconductor materials and their applications There is a section dedicated to theory calculations and logic and another dedicated to the development and characterization of semiconductor materials of great future interest I really hope that this book will help to spread knowledge about this research field to other researchers and students working in this area or even to those interested in starting their more advanced studies

**Subject Guide to Books in Print** , 1996

*Microprocessor Data Book* S. A. Money, 2014-05-10 *Microprocessor Data Book Second Edition* focuses on the available types of microprocessors and microcomputers including description of internal architecture instruction set main electrical data and package details of these instruments The book first elaborates on 4 bit and 8 bit microprocessors and microcomputers Discussions focus on Advanced Micro Devices Am2900 series Hitachi HMCS40 series Motorola MC6801 and MC6803 Motorola MC6809 series Rockwell R6500 1 series and RCA 1800 series The text then examines 16 bit and 32 bit microprocessors and microcomputers Topics include Intel 80286 microprocessor Motorola 68010 Texas Instruments TMS9980 Zilog Z8000 series Motorola 68020 processor and National 32032 The manuscript takes a look at other support devices peripheral device controllers and serial I O devices including Motorola MC6850 ACIA Texas Instruments TMS9902 ACC Thomson EFCIS EF9365 6 and floppy disk controllers The publication is a valuable source of information for computer science experts and researchers interested in microprocessors and microcomputers

*Embedded Microprocessor Systems* Christian Müller-Schloer, 1996 Embedded microprocessor systems are affecting our daily lives at a fast pace mostly unrecognised by the general public Most of us are aware of the part they are playing in increasing business efficiency through office applications such as personal computers printers and copiers Only a few people however fully appreciate the growing role of embedded systems in telecommunications and industrial environments or even in everyday products like cars and home appliances The challenge to engineers and managers is not only highlighted by the sheer size of the market 1 5 billion microcontrollers and microprocessors are produced every year but also by the accelerating innovation in embedded systems towards higher complexity in hardware software and tools as well as towards higher performance and lower consumption To maintain competitiveness in this demanding environment an optimum mix of innovation time to market and system cost is required Choosing the right options and strategies for products and companies is crucial and rarely obvious In this book the editors have therefore skilfully brought together more than fifty contributions from some of the leading authorities in embedded systems The papers are conveniently grouped in four sections

**Digital Electronics** Byron W. Putman, 1986

**Electronic Design**, 1988

*Engineer's Year-book of Formulae, Rules, Tables, Data & Memoranda*, 1987

**1991 IEEE International Conference on Systems, Man, and Cybernetics** Institute of Electrical and Electronics Engineers, 1991

Upgrading and Repairing PCs Scott Mueller, 2004 *Upgrading and Repairing PCs* is the runaway best selling PC hardware book of all time and one of the best selling computer books ever This 15th Edition is loaded with the most up to date hardware information anywhere World renowned PC hardware expert Scott Mueller has taught thousands in his weeklong seminars and millions through his books videos and articles This edition contains hundreds of pages of new material including the latest in processor and motherboard technologies The DVD offers you more than two hours of high quality video plus a searchable hard drive database a searchable vendor database and thousands of pages of legacy PC hardware coverage that can no longer be included in the printed book but that are invaluable to PC techs servicing older

computers     The Electrical Engineering Handbook Wai Kai Chen,2004-11-16 The Electrical Engineer s Handbook is an invaluable reference source for all practicing electrical engineers and students Encompassing 79 chapters this book is intended to enlighten and refresh knowledge of the practicing engineer or to help educate engineering students This text will most likely be the engineer s first choice in looking for a solution extensive complete references to other sources are provided throughout No other book has the breadth and depth of coverage available here This is a must have for all practitioners and students The Electrical Engineer s Handbook provides the most up to date information in Circuits and Networks Electric Power Systems Electronics Computer Aided Design and Optimization VLSI Systems Signal Processing Digital Systems and Computer Engineering Digital Communication and Communication Networks Electromagnetics and Control and Systems About the Editor in Chief Wai Kai Chen is Professor and Head Emeritus of the Department of Electrical Engineering and Computer Science at the University of Illinois at Chicago He has extensive experience in education and industry and is very active professionally in the fields of circuits and systems He was Editor in Chief of the IEEE Transactions on Circuits and Systems Series I and II President of the IEEE Circuits and Systems Society and is the Founding Editor and Editor in Chief of the Journal of Circuits Systems and Computers He is the recipient of the Golden Jubilee Medal the Education Award and the Meritorious Service Award from the IEEE Circuits and Systems Society and the Third Millennium Medal from the IEEE Professor Chen is a fellow of the IEEE and the American Association for the Advancement of Science 77 chapters encompass the entire field of electrical engineering THOUSANDS of valuable figures tables formulas and definitions Extensive bibliographic references     Current Awareness Abstracts ,1996 A review of information management literature

**Multiple-valued Logic in VLSI Design** Jon T. Butler,1991     **Dictionary of computing** Vittorio Ferretti,1996-06-04  
92000 Eintr ge 44000 deutsche und 48000 englische aller Gebiete der Informatik mit Hauptbegriffen der angrenzenden Fachgebiete sowie des allgemeinen technischen Sprachgebrauchs insgesamt 94 Fachgebiete     *Acronyms, Initialisms & Abbreviations Dictionary* ,2001-05 Each volume separately titled v 1 Acronyms initialisms v 2 New acronyms initialisms v 3 Reverse acronyms initialisms abbreviations dictionary formerly issued independently as Reverse acronyms and initialisms dictionary     IEEE Standards Institute of Electrical and Electronics Engineers,1995     Conference Proceedings ,1989

**Digital Electronics** Robert D. Thompson,2001 Approaching the task of learning digital electronics operation from a developmental approach rather than relying on antiquated rote memorization this user friendly guide emphasizes the use of developmental techniques to derive the knowledge necessary to understand operational and design concepts Employs many innovative ideas to simplify understanding of digital concepts enlightening readers with wisdom gained from over thirty years of author s electronics experience in government academia and industry Takes a developmental approach to show how logic gates operate promoting a step by step assimilation of information needed to understand AND OR NAND and NOT gate operations and enabling readers to complete truth tables and draw a gate s output with ease Uses a logical approach in its

analysis of Boolean and DeMorgan's theorems and includes methods on how to read a Boolean expression and develop alternate logic gate symbols      **Journal of Electrical and Electronics Engineering, Australia** ,1984

## **Cmos Technology Logic Data Text** Book Review: Unveiling the Magic of Language

In an electronic era where connections and knowledge reign supreme, the enchanting power of language has been apparent than ever. Its ability to stir emotions, provoke thought, and instigate transformation is actually remarkable. This extraordinary book, aptly titled "**Cmos Technology Logic Data Text**," compiled by a highly acclaimed author, immerses readers in a captivating exploration of the significance of language and its profound impact on our existence. Throughout this critique, we shall delve into the book's central themes, evaluate its unique writing style, and assess its overall influence on its readership.

[https://py.bijouxmedusa.com/data/detail/default.aspx/America\\_12\\_4\\_Side\\_Hustles\\_Tools\\_For\\_Creators\\_12\\_674\\_Side\\_Hustles\\_Trends.pdf](https://py.bijouxmedusa.com/data/detail/default.aspx/America_12_4_Side_Hustles_Tools_For_Creators_12_674_Side_Hustles_Trends.pdf)

### **Table of Contents Cmos Technology Logic Data Text**

1. Understanding the eBook Cmos Technology Logic Data Text
  - The Rise of Digital Reading Cmos Technology Logic Data Text
  - Advantages of eBooks Over Traditional Books
2. Identifying Cmos Technology Logic Data Text
  - Exploring Different Genres
  - Considering Fiction vs. Non-Fiction
  - Determining Your Reading Goals
3. Choosing the Right eBook Platform
  - Popular eBook Platforms
  - Features to Look for in a Cmos Technology Logic Data Text
  - User-Friendly Interface
4. Exploring eBook Recommendations from Cmos Technology Logic Data Text
  - Personalized Recommendations
  - Cmos Technology Logic Data Text User Reviews and Ratings

- Cmos Technology Logic Data Text and Bestseller Lists
- 5. Accessing Cmos Technology Logic Data Text Free and Paid eBooks
  - Cmos Technology Logic Data Text Public Domain eBooks
  - Cmos Technology Logic Data Text eBook Subscription Services
  - Cmos Technology Logic Data Text Budget-Friendly Options
- 6. Navigating Cmos Technology Logic Data Text eBook Formats
  - ePub, PDF, MOBI, and More
  - Cmos Technology Logic Data Text Compatibility with Devices
  - Cmos Technology Logic Data Text Enhanced eBook Features
- 7. Enhancing Your Reading Experience
  - Adjustable Fonts and Text Sizes of Cmos Technology Logic Data Text
  - Highlighting and Note-Taking Cmos Technology Logic Data Text
  - Interactive Elements Cmos Technology Logic Data Text
- 8. Staying Engaged with Cmos Technology Logic Data Text
  - Joining Online Reading Communities
  - Participating in Virtual Book Clubs
  - Following Authors and Publishers Cmos Technology Logic Data Text
- 9. Balancing eBooks and Physical Books Cmos Technology Logic Data Text
  - Benefits of a Digital Library
  - Creating a Diverse Reading Collection Cmos Technology Logic Data Text
- 10. Overcoming Reading Challenges
  - Dealing with Digital Eye Strain
  - Minimizing Distractions
  - Managing Screen Time
- 11. Cultivating a Reading Routine Cmos Technology Logic Data Text
  - Setting Reading Goals Cmos Technology Logic Data Text
  - Carving Out Dedicated Reading Time
- 12. Sourcing Reliable Information of Cmos Technology Logic Data Text
  - Fact-Checking eBook Content of Cmos Technology Logic Data Text
  - Distinguishing Credible Sources

13. Promoting Lifelong Learning
  - Utilizing eBooks for Skill Development
  - Exploring Educational eBooks
14. Embracing eBook Trends
  - Integration of Multimedia Elements
  - Interactive and Gamified eBooks

### **Cmos Technology Logic Data Text Introduction**

Cmos Technology Logic Data Text Offers over 60,000 free eBooks, including many classics that are in the public domain. Open Library: Provides access to over 1 million free eBooks, including classic literature and contemporary works. Cmos Technology Logic Data Text Offers a vast collection of books, some of which are available for free as PDF downloads, particularly older books in the public domain. Cmos Technology Logic Data Text : This website hosts a vast collection of scientific articles, books, and textbooks. While it operates in a legal gray area due to copyright issues, its a popular resource for finding various publications. Internet Archive for Cmos Technology Logic Data Text : Has an extensive collection of digital content, including books, articles, videos, and more. It has a massive library of free downloadable books. Free-eBooks Cmos Technology Logic Data Text Offers a diverse range of free eBooks across various genres. Cmos Technology Logic Data Text Focuses mainly on educational books, textbooks, and business books. It offers free PDF downloads for educational purposes. Cmos Technology Logic Data Text Provides a large selection of free eBooks in different genres, which are available for download in various formats, including PDF. Finding specific Cmos Technology Logic Data Text, especially related to Cmos Technology Logic Data Text, might be challenging as theyre often artistic creations rather than practical blueprints. However, you can explore the following steps to search for or create your own Online Searches: Look for websites, forums, or blogs dedicated to Cmos Technology Logic Data Text, Sometimes enthusiasts share their designs or concepts in PDF format. Books and Magazines Some Cmos Technology Logic Data Text books or magazines might include. Look for these in online stores or libraries. Remember that while Cmos Technology Logic Data Text, sharing copyrighted material without permission is not legal. Always ensure youre either creating your own or obtaining them from legitimate sources that allow sharing and downloading. Library Check if your local library offers eBook lending services. Many libraries have digital catalogs where you can borrow Cmos Technology Logic Data Text eBooks for free, including popular titles. Online Retailers: Websites like Amazon, Google Books, or Apple Books often sell eBooks. Sometimes, authors or publishers offer promotions or free periods for certain books. Authors Website Occasionally, authors provide excerpts or short stories for free on their websites. While this might not be the Cmos Technology Logic Data Text full book , it can give you a taste of the authors writing

style. Subscription Services Platforms like Kindle Unlimited or Scribd offer subscription-based access to a wide range of Cmos Technology Logic Data Text eBooks, including some popular titles.

### **FAQs About Cmos Technology Logic Data Text Books**

How do I know which eBook platform is the best for me? Finding the best eBook platform depends on your reading preferences and device compatibility. Research different platforms, read user reviews, and explore their features before making a choice. Are free eBooks of good quality? Yes, many reputable platforms offer high-quality free eBooks, including classics and public domain works. However, make sure to verify the source to ensure the eBook credibility. Can I read eBooks without an eReader? Absolutely! Most eBook platforms offer webbased readers or mobile apps that allow you to read eBooks on your computer, tablet, or smartphone. How do I avoid digital eye strain while reading eBooks? To prevent digital eye strain, take regular breaks, adjust the font size and background color, and ensure proper lighting while reading eBooks. What the advantage of interactive eBooks? Interactive eBooks incorporate multimedia elements, quizzes, and activities, enhancing the reader engagement and providing a more immersive learning experience. Cmos Technology Logic Data Text is one of the best book in our library for free trial. We provide copy of Cmos Technology Logic Data Text in digital format, so the resources that you find are reliable. There are also many Ebooks of related with Cmos Technology Logic Data Text. Where to download Cmos Technology Logic Data Text online for free? Are you looking for Cmos Technology Logic Data Text PDF? This is definitely going to save you time and cash in something you should think about. If you trying to find then search around for online. Without a doubt there are numerous these available and many of them have the freedom. However without doubt you receive whatever you purchase. An alternate way to get ideas is always to check another Cmos Technology Logic Data Text. This method for see exactly what may be included and adopt these ideas to your book. This site will almost certainly help you save time and effort, money and stress. If you are looking for free books then you really should consider finding to assist you try this. Several of Cmos Technology Logic Data Text are for sale to free while some are payable. If you arent sure if the books you would like to download works with for usage along with your computer, it is possible to download free trials. The free guides make it easy for someone to free access online library for download books to your device. You can get free download on free trial for lots of books categories. Our library is the biggest of these that have literally hundreds of thousands of different products categories represented. You will also see that there are specific sites catered to different product types or categories, brands or niches related with Cmos Technology Logic Data Text. So depending on what exactly you are searching, you will be able to choose e books to suit your own need. Need to access completely for Campbell Biology Seventh Edition book? Access Ebook without any digging. And by having access to our ebook online or by storing it on your

computer, you have convenient answers with Cmos Technology Logic Data Text To get started finding Cmos Technology Logic Data Text, you are right to find our website which has a comprehensive collection of books online. Our library is the biggest of these that have literally hundreds of thousands of different products represented. You will also see that there are specific sites catered to different categories or niches related with Cmos Technology Logic Data Text So depending on what exactly you are searching, you will be able to choose ebook to suit your own need. Thank you for reading Cmos Technology Logic Data Text. Maybe you have knowledge that, people have search numerous times for their favorite readings like this Cmos Technology Logic Data Text, but end up in harmful downloads. Rather than reading a good book with a cup of coffee in the afternoon, instead they juggled with some harmful bugs inside their laptop. Cmos Technology Logic Data Text is available in our book collection an online access to it is set as public so you can download it instantly. Our digital library spans in multiple locations, allowing you to get the most less latency time to download any of our books like this one. Merely said, Cmos Technology Logic Data Text is universally compatible with any devices to read.

### **Find Cmos Technology Logic Data Text :**

America 12-4 side hustles tools for creators 12-674 side hustles trends explained United States 12-1132 mental wellness for beginners America automation tutorial for creators 12-151 career growth apps for creators review for entrepreneurs 12-2987 real estate investing review for small blueprint United States 12-2704 small business ideas blueprint for stock market review America 12-1475 stock market review America 12-2591 software USA 12-1024 wearable technology software USA 12-1602 wearable travel tutorial United States 12-260 business automation apps for small USA 12-2978 freelancing online strategies USA 12-70 freelancing online improvement tutorial United States 12-2006 self improvement tutorial strategies for small business 12-1407 mobile app ideas strategies for organization for beginners for creators 12-1400 home organization for for creators 12-2943 budget travel for beginners for creators 12-755 careers strategies for small business 12-57 data science careers development comparison for startups 12-187 blockchain development

**Cmos Technology Logic Data Text :**

[minna no nihongo 1 japanese kanji workbook goodreads](#) - Jul 03 2022

web minna no nihongo 1 japanese kanji workbook 00000000 minna no nihongo 1 5 by 000000000000 4 44 rating details 27 ratings 2 reviews get a copy amazon stores libraries paperback 125 pages published by 000000000000 more details edit details *buy minna no nihongo books learn japanese with textbooks and workbooks* - May 01 2022

web each minna no nihongo textbook has a companion kanji workbook that helps to practice the kanji and vocabulary contained in the lessons in these workbooks the learner will first study each kanji then she or he will practice its reading and writing skills allowing for a steady progression

**minna no nihongo 1 workbook hyojun mondaishu paperback** - Dec 28 2021

web aug 1 2012 minna no nihongo shokyu 1 for beginner learning japanese 3 books set kanji workbook exercise book sentence pattern original sticky notes tokyo international japanese language institute 28

[minna no nihongo i japanese kanji workbook pdf txt](#) - Feb 27 2022

web overview download view minna no nihongo i japanese kanji workbook as pdf for free more details pages 138 preview full text related documents minna no nihongo i japanese kanji workbook december 2019 2 465 minna no nihongo i kanji workbook january 2020 716 minna no nihongo i kanji renshuuchou january 2020 289

[studyjapanese net minna no nihongo i kanji eigoban pdf](#) - Jun 02 2022

web view details request a review learn more

[minna no nihongo i kanji workbook pdf scribd](#) - May 13 2023

web minna no nihongo i kanji workbook free download as pdf file pdf text file txt or read online for free minna no nihongo 1 kanji workbook

[minna no nihongo shokyu 1 elementary kanji renshucho workbook](#) - Feb 10 2023

web product description 14 19 usd enhance your japanese kanji proficiency with this workbook companion to the popular minna no nihongo shokyu 1 2nd ed featuring reading and writing exercises for all 218 commonly used kanji contained within the main textbook test your knowledge with the unit quizzes and answer key found at the end of

**minna no nihongo second edition kanji workbook 1 zweite auflage kanji** - Jan 09 2023

web minna no nihongo second edition kanji workbook 1 zweite auflage kanji Übungsbuch anfänger 1 3a corporation amazon com tr kitap

**minna no nihongo kanji workbook pdf scribd** - Jul 15 2023

web minna no nihongo kanji workbook free download as pdf file pdf or read online for free minna no nihongo kanji

**studyjapanese net minna no nihongo i kanji renshuuchou pdf** - Jan 29 2022

web you may be offline or with limited connectivity

**minna no nihongo i japanese kanji workbook pdf cultural** - Sep 05 2022

web minna no nihongo i japanese kanji workbook free download as pdf file pdf or read online for free minna no nihongo i

**minna no nihongo i japanese kanji workbook dokumen tips** - Oct 06 2022

web aug 15 2019 kanji renshū chō minna no nihongo 1 kanji workbook 1 3 documents nihongo watashino kotoba note shokvuu minna no nihongo i main textbook minna no nihongo i grammatical notes english ver minna no nihongo i grammatical notes

pdf minna no nihongo i kanji workbook pdfslide net - Apr 12 2023

web aug 22 2019 8 22 2019 minna no nihongo i kanji workbook 1 408 22 2019 minna no nihongo i kanji workbook 2 408 22 2019 minna no nihongo i kanji workbook 3 408 22 2019 minna no nihongo

minna no nihongo second edition kanji workbook 1 zweite auflage kanji - Mar 11 2023

web minna no nihongo second edition kanji workbook 1 zweite auflage kanji Übungsbuch anfänger 1 3a corporation amazon com tr kitap

*introduction to kanji minna no nihongo unit 1 kanji youtube* - Mar 31 2022

web mar 11 2018 mina san i made all the lesson files available on my patreon page you can get access to the pdf of the vocabulary and grammar lessons that i use in m

minna no nihongo 1 kanji workbook intertaal - Aug 16 2023

web much like the rest of the minna no nihongo series this book breaks them down into lesson reviews going over 10 16 kanji characters each time reinforcing understanding of stroke order reading and word recognition through both reading and writing exercises and removable practice and answer sheets

**minna no nihongo beginner i workbook answer key pdf** - Dec 08 2022

web pepe viyuela minna no nihongo beginner i textbook answer key pepe viyuela minna no nihongo beginner i sentence pattern workbook answer key pepe viyuela minna no nihongo beginner i workbook pepe viyuela minna no nihongo beginner i listening comprehension pepe viyuela

**minna no nihongo shokyu 1 kanji renshuuchou a1 kanji workbook** - Nov 07 2022

web minna no nihongo workbook for practicing kanji correlated with the whole minna course for more books from these series visit my page see full pdf download pdf

**minna no nihongo 1 kanji workbook** □□□□□□□□ - Jun 14 2023

web minna no nihongo 1 kanji workbook is available in our digital library an online access to it is set as public so you can download it instantly our book servers hosts in multiple countries allowing you to get the most less latency time to

**minna no nihongo 1 kanji workbook shokyu 1 kanji renshu** - Aug 04 2022

web minna no nihongo elementary 1 kanji workbook shokyu 1 kanji renshu cho second edition ean 9784883196029 isbn 9784883196029 year of publication 2012 publisher 3a corporation number of pages 138 languages japanese country of *intro to philosophy test 1 flashcards quizlet* - Apr 30 2022

web intro to philosophy test 1 term 1 80 philosophy click the card to flip definition 1 80 proper consists of the systematic comprehensive study of certain questions that center on meaning interpretation evaluation and logical or rational consistency click the card to flip flashcards learn test match created by finn gilliland

*introduction to philosophy test 1 flashcards quizlet* - Dec 07 2022

web study with quizlet and memorize flashcards containing terms like the study of arguments reasoning a series of statements where one of the statements the conclusion supposedly follows from or is supported by the other statements the premises 1 premise 2 premise therefore conclusion and more

**introduction to philosophy 203 plays quizizz** - Jun 01 2022

web introduction to philosophy quiz for university students find other quizzes for philosophy and more on quizizz for free

**ch 1 review questions introduction to philosophy openstax** - Jul 14 2023

web 1 1 what is philosophy 1 what are some common characteristics of ancient sages in the greek indian and chinese traditions 2 what characteristics are essential for being identified as a sage 3 what is the connection between sages and philosophers 4

**intro to philosophy exam 1 flashcards quizlet** - Oct 05 2022

web intro to philosophy exam 1 how do you want to study today flashcards review terms and definitions learn focus your studying with a path test take a practice test match get faster at matching terms created by joh10168 terms in this set 40 metaphysics study of existence epistemology theory of knowledge

**pre test introduction to philosophy pdf argument** - Feb 26 2022

web pre test introduction to philosophy free download as word doc doc docx pdf file pdf text file txt or read online for free introduction to the philosophy of the human person

*phil 1402 uopeople introduction to philosophy studocu* - Dec 27 2021

web introduction to philosophy unit 6 graded quiz practice self test quiz unit 8 phil1402 graded quiz 6 answers after completion phil 1402 review quiz attempt review self quiz unit 1 phil 1402 self quiz unit 1 phil1402 swot analysis discovering strengths and weaknesses is very key written assignment phil 1402 unit 6

**intro philosophy test 1 flashcards quizlet** - Sep 04 2022

web the two cities and their foundations 1 earthly self love and material world 2 heavenly love for god enjoyed frui vs uti love

of god vs instruments towards love of god 3 types of justice 1 self soul rules over body 2 society occurs when leaders win over the people 3 world god over the leaders

*introduction to philosophy 392 plays quizizz* - Jul 02 2022

web introduction to philosophy quiz for 11th grade students find other quizzes for philosophy and more on quizizz for free

*intro to philosophy quiz 1 flashcards quizlet* - Nov 06 2022

web intro to philosophy quiz 1 flashcards learn test match flashcards learn test match created by luke bushman philosophy

1010 bgsu terms in this set 28 philosophy critical thinking about big questions general fundamental problems logic formal

study of arguments argument conclusion from multiple premise s

pre test intro to philosophy pdf socrates argument scribd - Mar 30 2022

web intro to philosophy pre test directions read each question carefully and mark the best answer choice on the answer sheet

please do not mark on this test sheet i true false 1 point each answers only t f 1 aesthetics is

**quiz in intro to philosophy quizalize** - Jun 13 2023

web quiz in intro to philosophy quiz by rhoda a sanchez grade 11 12 introduction to the philosophy of the human person

philippines curriculum shs applied track subjects give to class q 1 8 score 0 he was the first to call himself a philosopher from

the greek word philosophos or lover of wisdom

**philosophy 301 principles of philosophy final exam study com** - May 12 2023

web test and improve your knowledge of philosophy 301 principles of philosophy with fun multiple choice exams you can take

online with study com

**intro philosophy flashcards quizzes brainscape** - Aug 03 2022

web study intro philosophy now review practice tests study guides using our smart flashcards and retain what you learn

**introduction to philosophy online practice test mcqmate** - Jan 28 2022

web introduction to philosophy online practice test bachelor of arts in philosophy ba philo introduction to philosophy quiz

practice test on introduction to philosophy instructions select test length i e small medium large 1 point for each question no

points will be given for skipped questions

**intro to philosophy exam 1 flashcards quizlet** - Mar 10 2023

web the analogy of the cave the shadows on the wall the way the world appears to us before philosophy there is a difference

between how things appear and how they really are philosophy can help us understand this difference and pursue knowledge

about the true nature of things

*philosophy 101 quiz britannica* - Aug 15 2023

web take this philosophy religion quiz at encyclopedia britannica to test your knowledge of philosophy and philosophers

**quiz 1 intro to philosophy flashcards quizlet** - Jan 08 2023

web quiz on the learning unit introduction including readings by russell the value of philosophy and plato apology fresh features from the 1 ai enhanced learning platform try it free

*multiple choice quiz oxford university press* - Apr 11 2023

web multiple choice quiz the four main divisions of philosophy are metaphysics epistemology axiology and for socrates an unexamined life is a tragedy because it results in grievous harm to for socrates the soul is harmed by lack of a question and answer dialogue in which propositions are methodically scrutinized to

*introduction to philosophy quiz 1 flashcards quizlet* - Feb 09 2023

web a branch of philosophy that investigates the origin nature methods and limits of human knowledge or literally the study of knowledge the branch of philosophy dealing with such notions as the beautiful the ugly the sublime the comic etc the study of how the universe began native to an area

*results for lesson plans for autsim program tpt* - Jan 28 2022

web browse lesson plans for autsim program resources on teachers pay teachers a marketplace trusted by millions of teachers for original educational resources

**fresh austswim lesson plans ideas xplor recreation** - Aug 15 2023

web february 3 2021 fresh austswim lesson plans ideas swimming is an essential and vital skill that most if not all of us can benefit to learn whether you have grown up around bodies of water and are an avid swimmer or feel sheepish about getting into open water knowing how to swim and get yourself to safety can be a lifesaving skill to have

*downloadable free pdfs austsiwm lesson plans pdf pdf* - Jun 01 2022

web information 40 weeks lesson plan 5 day week plans notes get your copy today lesson planning for meaningful variety in teaching richard m henak 1980 teacher lesson plan template weekly journals for all 2016 08 25 beautifully designed undated lesson plan book for teachers 120 pages 8 5 inches by 11

*fresh austswim lesson plans ideas 30 minute swim lesson plan* - Jul 14 2023

web fresh austswim lesson plans ideas swimming lives an important or vital skill that most if not all of about can benefit to hear whether your have grown up around bodies by water and are an avid swimmer or feel sheepish about getting into open water knowing methods to swim and getting self to safety can be a lifesaving skill toward have

**lesson planning in the autism classroom how to make it a** - Mar 30 2022

web however with a good lesson plan template you can plan it all out and assure consistent instruction across the room good lesson planning means that you are pulling information from the students teaching implementation plans

*e pdf austsiwm lesson plans pdf free zivranh01 zivtech* - Aug 03 2022

web aug 16 2023 [e pdf austsiwm lesson plans pdf free lesson planning for elementary physical education oct 17 2022 lesson planning for elementary physical education offers expert guidance in implementing lessons and curricula that are aligned with shape america s national standards and grade level outcomes the plans are](#)

**home austswim** - Feb 09 2023

web austswim has developed quality aquatic education programs for those wishing to enter the aquatic industry as a teacher of swimming and water safety together with a range of industry leading specialist courses that will enable candidates to become well regarded assets in their chosen fields

**download free austsiwm lesson plans free download pdf** - Oct 05 2022

web may 30 2022 there are many different types of lesson plans including daily lesson plans weekly lesson plans unit lesson plans topic or subject lesson plans elearning lesson plans you can also create lesson plans for different education levels length of learning period or based on learner

*austswim lesson plans examples pdf free download* - Jun 13 2023

web apr 1 2019 teachers net features available grade 3 lesson plans grade 4 lesson plans and grade 5 lesson plans for elementary teachers here you can find worksheets and daily for teaching lesson plans in young teen or grown ups rookie mittel or advanced levels

**austsiwm lesson plans book** - Nov 06 2022

web austsiwm lesson plans getting the books austsiwm lesson plans now is not type of inspiring means you could not isolated going like ebook accretion or library or borrowing from your connections to right of entry them this is an no question simple means to specifically acquire lead by on line

learning pillars austswim - May 12 2023

web use austswim learning pillars as a standard of swimming and water safety education measure of community competence for safer aquatic participation benchmark minimum standard for population education in swimming and water safety

download free austsiwm lesson plans - Dec 07 2022

web austsiwm lesson plans stem to story jun 02 2022 bring stem to life for students with zombies rockets celebrities and more stem to story enthralling and effective lesson plans for grades 5 8 inspires learning through fun engaging and meaningful lesson plans that fuse hands on

austswim lesson plans examples pdf free download - Mar 10 2023

web click here into downloaded an example lesson plan and a blank create into usage for your own swimming lessons here is a table example lesson plans can be placed behind the floater like the instructor can see them and read them with these practical assessment checklists enable you to set for your with comprehensive teacher created lesson

[results for autism lesson plans tpt](#) - Dec 27 2021

web this set of 20 different language enriched lesson plans will allow you to have sensory fun with your students who have autism or any type of disability including severe or profound students this unit will help them develop a sense of environmental awareness while allowing them to take a sensory field trip

[free lesson plans for autistic students autismtalkclub com](#) - Jul 02 2022

web jul 2 2022 create an autism lesson plan activities template you may work in a school in which the principal requires lesson plans to be turned in if so determine if the format will work for your classroom if not ask the principal if you can use a different format and show her what you would like to use

**[austsiwm lesson plans uniport edu ng](#)** - Apr 30 2022

web jul 27 2023 austsiwm lesson plans 1 5 downloaded from uniport edu ng on july 27 2023 by guest austsiwm lesson plans recognizing the exaggeration ways to acquire this ebook austsiwm lesson plans is additionally useful you have remained in right site to begin getting this info get the austsiwm lesson plans link that we offer here and check

[download austswim lesson plans examples rick diaz](#) - Jan 08 2023

web nov 22 2020 swim lesson ideas plan development lesson planning will promote the development of teaching skills so that teachers follow the methods set down and thus making sure swim lesson ideas are suited to the appropriate lesson of each individual class rather than duplicating lesson plans that are inappropriate for class ability levels

**[autism awareness lesson plans worksheets reviewed by](#)** - Feb 26 2022

web for students 7th 8th in this world autism awareness day learning exercise students read or listen to a passage then match phrases fill in the blanks choose correct words unscramble words and sentences write discussion questions and conduct a survey lesson plan 1

**[australia theme lesson plans thematic units printables](#)** - Sep 04 2022

web lesson plan the history of european settlement in australia began with the establishment of a penal colony the convicts it held were transported as punishment for their crimes the first australian bushrangers were runaway convicts when the gold rushes began a different bushranger emerged

[austswim lesson plans examples pdf free download](#) - Apr 11 2023

web austswim lesson plans examples pre planned swimming lesson plans for busy swim instructors clipboard ready pre designed swimming lesson plans including unique design a fun and engaging swimming and water safety lesson covering the essential