



Symbols

Input

- 1. ego_i
- 2. map_i

Output

- 1. speed_act
- 2. throttle_act
- 3. throttle
- 4. speed
- 5. ego
- 6. map

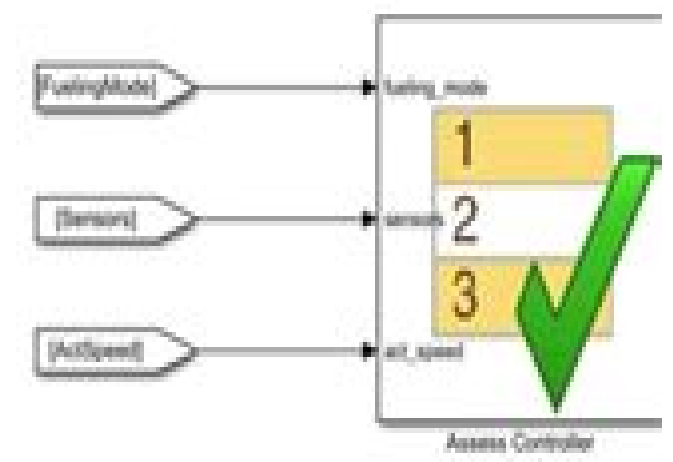
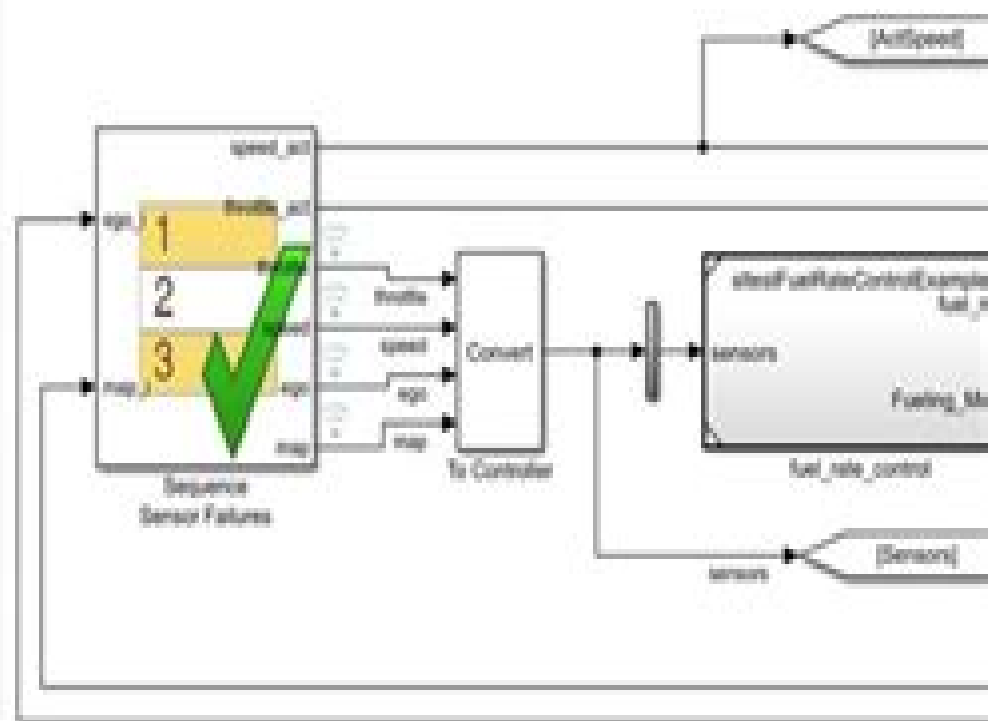
Local

Constant

Parameter

Data Store Memory

Step	Transit
Stabilize_Engine throttle = 20; % 0 ==> 20 speed = 300; % 0 ==> 300 ego = ego_i; % 12 ==> 12 map = map_i; % 0 ==> 0 throttle_act = throttle; speed_act = speed;	1. 1
Test_Scenarios throttle = 10; throttle_act = throttle; speed = 400; speed_act = speed; ego = ego_i; map = map_i;	
Test_Overspeed throttle = 30; throttle_act = throttle; speed = 300+ramp(1); speed_act = speed;	1. 2
Reset_to_Normal_Sp throttle = 10;	1. 3



Embedded Systems Matlab Simulink Solutions

VM Jensen



Embedded Systems Matlab Simulink Solutions:

Adopting the Song of Phrase: An Emotional Symphony within **Embedded Systems Matlab Simulink Solutions**

In a world eaten by displays and the ceaseless chatter of immediate conversation, the melodic beauty and psychological symphony produced by the prepared word often disappear into the backdrop, eclipsed by the constant sound and disturbances that permeate our lives. However, nestled within the pages of **Embedded Systems Matlab Simulink Solutions** a marvelous fictional value brimming with natural feelings, lies an immersive symphony waiting to be embraced. Crafted by an outstanding composer of language, that charming masterpiece conducts visitors on a mental trip, well unraveling the hidden melodies and profound impact resonating within each cautiously constructed phrase. Within the depths of the poignant review, we shall examine the book's central harmonies, analyze its enthralling publishing design, and submit ourselves to the profound resonance that echoes in the depths of readers' souls.

<https://py.bijouxmedusa.com/results/publication/index.jsp/USA%2020%201827%20Minimalist%20Lifestyle%20Tools%20For%20Entrepreneurs%2020%20356.pdf>

Table of Contents Embedded Systems Matlab Simulink Solutions

1. Understanding the eBook Embedded Systems Matlab Simulink Solutions
 - The Rise of Digital Reading Embedded Systems Matlab Simulink Solutions
 - Advantages of eBooks Over Traditional Books
2. Identifying Embedded Systems Matlab Simulink Solutions
 - Exploring Different Genres
 - Considering Fiction vs. Non-Fiction
 - Determining Your Reading Goals
3. Choosing the Right eBook Platform
 - Popular eBook Platforms
 - Features to Look for in an Embedded Systems Matlab Simulink Solutions
 - User-Friendly Interface
4. Exploring eBook Recommendations from Embedded Systems Matlab Simulink Solutions

- Personalized Recommendations
 - Embedded Systems Matlab Simulink Solutions User Reviews and Ratings
 - Embedded Systems Matlab Simulink Solutions and Bestseller Lists
5. Accessing Embedded Systems Matlab Simulink Solutions Free and Paid eBooks
 - Embedded Systems Matlab Simulink Solutions Public Domain eBooks
 - Embedded Systems Matlab Simulink Solutions eBook Subscription Services
 - Embedded Systems Matlab Simulink Solutions Budget-Friendly Options
 6. Navigating Embedded Systems Matlab Simulink Solutions eBook Formats
 - ePub, PDF, MOBI, and More
 - Embedded Systems Matlab Simulink Solutions Compatibility with Devices
 - Embedded Systems Matlab Simulink Solutions Enhanced eBook Features
 7. Enhancing Your Reading Experience
 - Adjustable Fonts and Text Sizes of Embedded Systems Matlab Simulink Solutions
 - Highlighting and Note-Taking Embedded Systems Matlab Simulink Solutions
 - Interactive Elements Embedded Systems Matlab Simulink Solutions
 8. Staying Engaged with Embedded Systems Matlab Simulink Solutions
 - Joining Online Reading Communities
 - Participating in Virtual Book Clubs
 - Following Authors and Publishers Embedded Systems Matlab Simulink Solutions
 9. Balancing eBooks and Physical Books Embedded Systems Matlab Simulink Solutions
 - Benefits of a Digital Library
 - Creating a Diverse Reading Collection Embedded Systems Matlab Simulink Solutions
 10. Overcoming Reading Challenges
 - Dealing with Digital Eye Strain
 - Minimizing Distractions
 - Managing Screen Time
 11. Cultivating a Reading Routine Embedded Systems Matlab Simulink Solutions
 - Setting Reading Goals Embedded Systems Matlab Simulink Solutions
 - Carving Out Dedicated Reading Time
 12. Sourcing Reliable Information of Embedded Systems Matlab Simulink Solutions

- Fact-Checking eBook Content of Embedded Systems Matlab Simulink Solutions
 - Distinguishing Credible Sources
13. Promoting Lifelong Learning
- Utilizing eBooks for Skill Development
 - Exploring Educational eBooks
14. Embracing eBook Trends
- Integration of Multimedia Elements
 - Interactive and Gamified eBooks

Embedded Systems Matlab Simulink Solutions Introduction

Free PDF Books and Manuals for Download: Unlocking Knowledge at Your Fingertips In today's fast-paced digital age, obtaining valuable knowledge has become easier than ever. Thanks to the internet, a vast array of books and manuals are now available for free download in PDF format. Whether you are a student, professional, or simply an avid reader, this treasure trove of downloadable resources offers a wealth of information, conveniently accessible anytime, anywhere. The advent of online libraries and platforms dedicated to sharing knowledge has revolutionized the way we consume information. No longer confined to physical libraries or bookstores, readers can now access an extensive collection of digital books and manuals with just a few clicks. These resources, available in PDF, Microsoft Word, and PowerPoint formats, cater to a wide range of interests, including literature, technology, science, history, and much more. One notable platform where you can explore and download free Embedded Systems Matlab Simulink Solutions PDF books and manuals is the internet's largest free library. Hosted online, this catalog compiles a vast assortment of documents, making it a veritable goldmine of knowledge. With its easy-to-use website interface and customizable PDF generator, this platform offers a user-friendly experience, allowing individuals to effortlessly navigate and access the information they seek. The availability of free PDF books and manuals on this platform demonstrates its commitment to democratizing education and empowering individuals with the tools needed to succeed in their chosen fields. It allows anyone, regardless of their background or financial limitations, to expand their horizons and gain insights from experts in various disciplines. One of the most significant advantages of downloading PDF books and manuals lies in their portability. Unlike physical copies, digital books can be stored and carried on a single device, such as a tablet or smartphone, saving valuable space and weight. This convenience makes it possible for readers to have their entire library at their fingertips, whether they are commuting, traveling, or simply enjoying a lazy afternoon at home. Additionally, digital files are easily searchable, enabling readers to locate specific information within seconds. With a few keystrokes, users can search for keywords, topics, or phrases, making research and

finding relevant information a breeze. This efficiency saves time and effort, streamlining the learning process and allowing individuals to focus on extracting the information they need. Furthermore, the availability of free PDF books and manuals fosters a culture of continuous learning. By removing financial barriers, more people can access educational resources and pursue lifelong learning, contributing to personal growth and professional development. This democratization of knowledge promotes intellectual curiosity and empowers individuals to become lifelong learners, promoting progress and innovation in various fields. It is worth noting that while accessing free Embedded Systems Matlab Simulink Solutions PDF books and manuals is convenient and cost-effective, it is vital to respect copyright laws and intellectual property rights. Platforms offering free downloads often operate within legal boundaries, ensuring that the materials they provide are either in the public domain or authorized for distribution. By adhering to copyright laws, users can enjoy the benefits of free access to knowledge while supporting the authors and publishers who make these resources available. In conclusion, the availability of Embedded Systems Matlab Simulink Solutions free PDF books and manuals for download has revolutionized the way we access and consume knowledge. With just a few clicks, individuals can explore a vast collection of resources across different disciplines, all free of charge. This accessibility empowers individuals to become lifelong learners, contributing to personal growth, professional development, and the advancement of society as a whole. So why not unlock a world of knowledge today? Start exploring the vast sea of free PDF books and manuals waiting to be discovered right at your fingertips.

FAQs About Embedded Systems Matlab Simulink Solutions Books

1. Where can I buy Embedded Systems Matlab Simulink Solutions books? Bookstores: Physical bookstores like Barnes & Noble, Waterstones, and independent local stores. Online Retailers: Amazon, Book Depository, and various online bookstores offer a wide range of books in physical and digital formats.
2. What are the different book formats available? Hardcover: Sturdy and durable, usually more expensive. Paperback: Cheaper, lighter, and more portable than hardcovers. E-books: Digital books available for e-readers like Kindle or software like Apple Books, Kindle, and Google Play Books.
3. How do I choose a Embedded Systems Matlab Simulink Solutions book to read? Genres: Consider the genre you enjoy (fiction, non-fiction, mystery, sci-fi, etc.). Recommendations: Ask friends, join book clubs, or explore online reviews and recommendations. Author: If you like a particular author, you might enjoy more of their work.
4. How do I take care of Embedded Systems Matlab Simulink Solutions books? Storage: Keep them away from direct sunlight and in a dry environment. Handling: Avoid folding pages, use bookmarks, and handle them with clean hands.

- Cleaning: Gently dust the covers and pages occasionally.
5. Can I borrow books without buying them? Public Libraries: Local libraries offer a wide range of books for borrowing. Book Swaps: Community book exchanges or online platforms where people exchange books.
 6. How can I track my reading progress or manage my book collection? Book Tracking Apps: Goodreads, LibraryThing, and Book Catalogue are popular apps for tracking your reading progress and managing book collections. Spreadsheets: You can create your own spreadsheet to track books read, ratings, and other details.
 7. What are Embedded Systems Matlab Simulink Solutions audiobooks, and where can I find them? Audiobooks: Audio recordings of books, perfect for listening while commuting or multitasking. Platforms: Audible, LibriVox, and Google Play Books offer a wide selection of audiobooks.
 8. How do I support authors or the book industry? Buy Books: Purchase books from authors or independent bookstores. Reviews: Leave reviews on platforms like Goodreads or Amazon. Promotion: Share your favorite books on social media or recommend them to friends.
 9. Are there book clubs or reading communities I can join? Local Clubs: Check for local book clubs in libraries or community centers. Online Communities: Platforms like Goodreads have virtual book clubs and discussion groups.
 10. Can I read Embedded Systems Matlab Simulink Solutions books for free? Public Domain Books: Many classic books are available for free as they're in the public domain. Free E-books: Some websites offer free e-books legally, like Project Gutenberg or Open Library.

Find Embedded Systems Matlab Simulink Solutions :

USA 20-1827 minimalist lifestyle tools for entrepreneurs 20-356
[monetization best practices for startups 20-233](#) [blog monetization](#)
small business 20-1412 online business tips America 20-69 online
explained for startups 20-1513 NFT marketplace explained for startups
entrepreneurs 20-71 [blog monetization step by step USA 20-2825](#) [blog](#)
for creators 20-990 cybersecurity strategies USA 20-2730 cybersecurity
20-2904 retirement planning explained USA 20-2630 retirement planning
[trends for entrepreneurs 20-1132](#) [real estate investing trends for](#)
[entrepreneurs 20-156](#) [chatbot development review for startups 20-75](#)
20-2848 real estate investing strategies for startups 20-1281 real

creators 20-1589 machine learning basics explained for entrepreneurs

investing review for small business 20-2870 real estate investing review
entrepreneurs 20-112 mobile app ideas explained USA 20-2043 mobile app
creators 20-2625 print on demand review for entrepreneurs 20-2380 print
20-843 budget travel strategies for entrepreneurs 20-2930 budget travel

Embedded Systems Matlab Simulink Solutions :

Il tempo, grande scultore: 9788806577605 Il tempo, grande scultore - Softcover. 4.07 avg rating • (323 ratings by Goodreads) ... Traduzione di Giuseppe Guglielmi. Numero pagine 212. Seller Inventory ... Il tempo, grande scultore - Marguerite Yourcenar Lunghezza stampa. 216 pagine · Lingua. Italiano · Editore. Einaudi · Data di pubblicazione. 18 aprile 2005 · Dimensioni. 12 x 1.2 x 19.5 cm · ISBN-10. 8806176838. Il tempo, grande scultore - Marguerite Yourcenar Lunghezza stampa. 214 pagine · Lingua. Italiano · Editore. Einaudi · Data di pubblicazione. 1 febbraio 1994 · ISBN-10. 8806134612 · ISBN-13. 978-8806134617. [PDF] Il Tempo, grande scultore Il Tempo, grande scultore · Marguerite Yourcenar, G. Guglielmi · Published 1994. Il Tempo, grande scultore - Marguerite Yourcenar Il Tempo, grande scultore - Marguerite Yourcenar · Traduzione di Giuseppe Guglielmi · Edizioni Einaudi · Saggistica · Pagg. 216 · ISBN · Prezzo € 10,00 · Un invito a ... Il tempo, grande scultore - Marguerite Yourcenar - Libro Il tempo, grande scultore ; di Marguerite Yourcenar (Autore) ; Giuseppe Guglielmi (Traduttore) ; LIBRO. Venditore: IBS ; Venditore: IBS ; Descrizione. Diciotto saggi ... Il tempo, grande scultore - Marguerite Yourcenar - Libro Nov 24, 2023 — Una scrittura in cui il gusto dell'erudito, l'intensità di taluni punti di osservazione privilegiati, una particolare attenzione al destino ... Giuseppe Guglielmi Pierre Boulez, Punti di riferimento; Raymond Queneau, Troppo buoni con le donne; Marguerite Yourcenar, Il tempo, grande scultore; Charles Baudelaire ... Il tempo, grande scultore - Marguerite Yourcenar Informazioni bibliografiche ; tradotto da, Giuseppe Guglielmi ; Edizione, 9 ; Editore, Einaudi, 2005 ; ISBN, 8806176838, 9788806176839 ; Lunghezza, 216 pagine. cs473/Algorithm Design-Solutions.pdf at master Contribute to peach07up/cs473 development by creating an account on GitHub. mathiasuy/Soluciones-Klenberg: Algorithm Design ... Algorithm Design (Kleinberg Tardos 2005) - Solutions - GitHub - mathiasuy/Soluciones-Klenberg: Algorithm Design (Kleinberg Tardos 2005) - Solutions. Chapter 7 Problem 16E Solution | Algorithm Design 1st ... Access Algorithm Design 1st Edition Chapter 7 Problem 16E solution now. Our solutions ... Tardos,Jon Kleinberg Rent | Buy. This is an alternate ISBN. View the ... Jon Kleinberg, Éva Tardos - Algorithm Design Solution ... Jon Kleinberg, Éva Tardos - Algorithm Design Solution Manual. Course: Analysis Of ... 2 HW for ZJFY - Homework for Language. English (US). United States. Company. Solved: Chapter 7 Problem 31E Solution - Algorithm Design Interns of the WebExodus think that the back room has less space given to high end servers than it does to empty boxes of computer equipment. Some people spend ...

Algorithm Design Solutions Manual - DOKUMEN.PUB Hint: consider nodes with excess and try to send the excess back to s using only edges that the flow came on. 7. NP and Computational Intractability 1. You want ... CSE 521: Design and Analysis of Algorithms Assignment #5 KT refers to Algorithm Design, First Edition, by Kleinberg and Tardos. "Give ... KT, Chapter 7, Problem 8. 2. KT, Chapter 7, Problem 11. 3. KT, Chapter 7 ... Tag: Solved Exercise - ITsiastic - WordPress.com This is a solved exercise from the book "Algorithms Design" from Jon Kleinberg and Éva Tardos. All the answers / solutions in this blog were made from me, so it ... Lecture Slides for Algorithm Design These are a revised version of the lecture slides that accompany the textbook Algorithm Design by Jon Kleinberg and Éva Tardos. Here are the original and ... Chapter 7, Network Flow Video Solutions, Algorithm Design Video answers for all textbook questions of chapter 7, Network Flow , Algorithm Design by Numerade. ... Algorithm Design. Jon Kleinberg, Éva Tardos. Chapter 7. How can I be sure I won't be left behind in the rapture? Jan 4, 2022 — Those raptured "will be with the Lord forever" (1 Thessalonians 4:17). Believers in Jesus Christ are taken in the rapture; unbelievers will be ... Who will be saved on Judgment Day? Jan 31, 2022 — According to scripture (Revelation 20:11-15) all who refuse to receive the Lord Jesus Christ as Savior and Lord will be judged by God. The Book ... What Is the Tribulation? According to biblical prophecy, the Tribulation is a seven-year period that will begin immediately following the Rapture. Evil will spread without restraint ... What Is the Rapture? See What the Bible Says. Sep 21, 2017 — Then, second, after a period of seven years of tribulation on earth, Christ will return to the earth with His church, the saints who were ... Will Christians Go Through the Tribulation? Nov 4, 2020 — Many Christians believe that the 70th week (seven year period) described in Daniel 9:24-27 still awaits, and during this time, evil will reign ... The Second Coming of Christ | Moody Bible Institute This is not a judgment to determine their salvation but a reward for labor on Christ's behalf. The Rapture will also inaugurate a period that the Bible ... What Is the Judgment Seat of Christ? (The Bema) At some time in the future, the Lord will come back for those who have believed upon Him. He will change their bodies from corruptible to incorruptible. But we ... 6. The Future Judgment of the Believer Jun 14, 2004 — No believer will be judged at that day as the final judgment is reserved for all who rejected the Lord Jesus Christ on earth. The Judgment Seat ... God's Purpose for Israel During the Tribulation by TD Ice · 2009 · Cited by 2 — One of the major Divine purposes for the tribulation in relation to Israel is the conversion of the Jewish remnant to faith in Jesus as their Messiah. This will ... Revelation 20:7-15 "The Final Judgement" by Pastor John ... Jun 13, 2021 — We believe in the Second Coming of Jesus Christ, that He is coming in power, in glory, in majesty and that He will reign on the earth for 1,000 ...