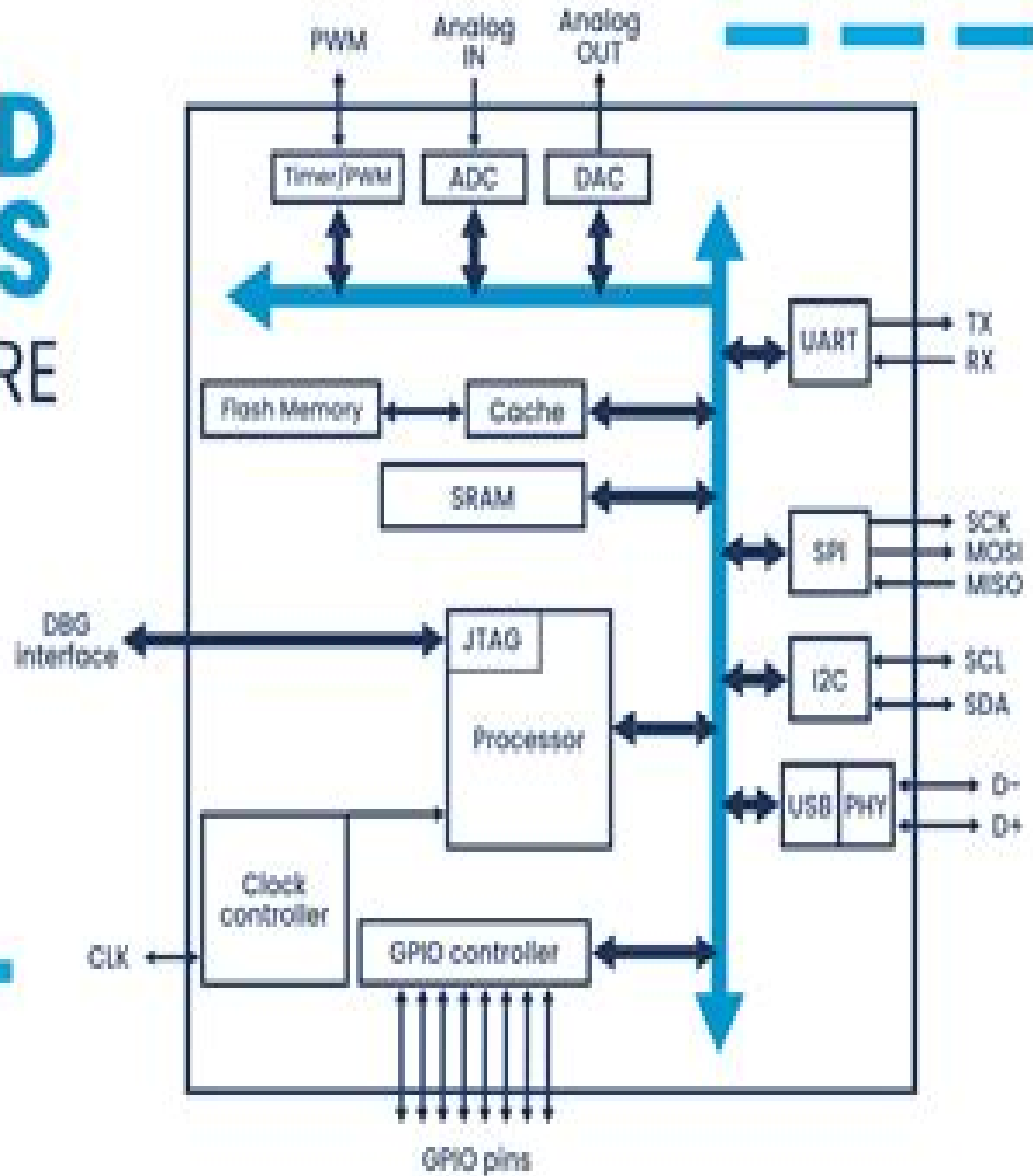


EMBEDDED SYSTEMS ARCHITECTURE



IN Tech House



Embedded Software The Works

Tammy Noergaard



Embedded Software The Works:

Embedded Software Colin Walls, 2012-03-28 1 What Makes an Embedded Application Tick 2 Memory in Embedded Systems 3 Memory Architectures 4 How Software Influences Hardware Design 5 Migrating your Software to a New Processor Architecture 6 Embedded Software for Transportation Applications 7 How to Choose a CPU for Your SoC Design 8 An Introduction to USB Software 9 Towards USB 3.0

Embedded Software Colin Walls, 2012 *Embedded Software* Jean Labrosse, Jack Ganssle, Robert Oshana, Colin Walls, Keith Curtis, Jason Andrews, David Katz, Rick Gentile, Kamal Hyder, Bob Perrin, 2007 The Newnes Know It All Series takes the best of what our authors have written to create hard working desk references that will be an engineer's first port of call for key information design techniques and rules of thumb Guaranteed not to gather dust on a shelf Embedded software is present everywhere from a garage door opener to implanted medical devices to multicore computer systems This book covers the development and testing of embedded software from many different angles and using different programming languages Optimization of code and the testing of that code are detailed to enable readers to create the best solutions on time and on budget Bringing together the work of leading experts in the field this a comprehensive reference that every embedded developer will need Chapter 1 Basic Embedded Programming Concepts Chapter 2 Device Drivers Chapter 3 Embedded Operating Systems Chapter 4 Networking Chapter 5 Error Handling and Debugging Chapter 6 Hardware Software Co Verification Chapter 7 Techniques for Embedded Media Processing Chapter 8 DSP in Embedded Systems Chapter 9 Practical Embedded Coding Techniques Chapter 10 Development Technologies and Trends Proven real world advice and guidance from such name authors as Tammy Noergard Jen LaBrosse and Keith Curtis Popular architectures and languages fully discussed Gives a comprehensive detailed overview of the techniques and methodologies for developing effective efficient embedded software

Embedded software Walls Colin, 2012 **Embedded Software, 2nd Edition** Colin Walls, 2012 As the embedded world expands developers must have a strong grasp of many complex topics in order to make faster more efficient and more powerful microprocessors to meet the public's growing demand Embedded Software The Works covers all the key subjects embedded engineers need to understand in order to succeed including Design and Development Programming Languages including C, C++ and UML Real Time Operating Systems Considerations Networking and much more New material on Linux Android and multi core gives engineers the up to date practical know how they need in order to succeed Colin Walls draws upon his experience and insights from working in the industry and covers the complete cycle of embedded software development its design development management debugging procedures licensing and reuse For those new to the field or for experienced engineers looking to expand their skills Walls provides the reader with detailed tips and techniques and rigorous explanations of technologies Key features include New chapters on Linux Android and multi core the cutting edge of embedded software development Introductory roadmap guides readers through the book providing a route through the separate chapters and showing how they are linked About the Author

Colin Walls has over twenty five years experience in the electronics industry largely dedicated to embedded software A frequent presenter at conferences and seminars and author of numerous technical articles and two books on embedded software he is a member of the marketing team of the Mentor Graphics Embedded Software Division He writes a regular blog on the Mentor website blogs.mentor.com/colinwalls New chapters on Linux Android and multi core the cutting edge of embedded software development Introductory roadmap guides readers through the book providing a route through the separate chapters and showing how they are linked

Embedded Software: Know It All Jean J. Labrosse, Bob Perrin, Jack Ganssle, Robert Oshana, Colin Walls, Keith E. Curtis, Jason Andrews, David J. Katz, Rick Gentile, Kamal Hyder, 2007-09-14 The Newnes Know It All Series takes the best of what our authors have written to create hard working desk references that will be an engineer's first port of call for key information design techniques and rules of thumb Guaranteed not to gather dust on a shelf Embedded software is present everywhere from a garage door opener to implanted medical devices to multicore computer systems This book covers the development and testing of embedded software from many different angles and using different programming languages Optimization of code and the testing of that code are detailed to enable readers to create the best solutions on time and on budget Bringing together the work of leading experts in the field this a comprehensive reference that every embedded developer will need Proven real world advice and guidance from such name authors as Tammy Noergard Jen LaBrosse and Keith Curtis Popular architectures and languages fully discussed Gives a comprehensive detailed overview of the techniques and methodologies for developing effective efficient embedded software

Programming Embedded Systems Michael Barr, Anthony Massa, 2006-10-11 Authored by two of the leading authorities in the field this guide offers readers the knowledge and skills needed to achieve proficiency with embedded software

Embedded Software Development for Safety-Critical Systems Chris Hobbs, 2017-09-07 I highly recommend Mr Hobbs book Stephen Thomas PE Founder and Editor of FunctionalSafetyEngineer.com Safety critical devices whether medical automotive or industrial are increasingly dependent on the correct operation of sophisticated software Many standards have appeared in the last decade on how such systems should be designed and built Developers who previously only had to know how to program devices for their industry must now understand remarkably esoteric development practices and be prepared to justify their work to external auditors Embedded Software Development for Safety Critical Systems discusses the development of safety critical systems under the following standards IEC 61508 ISO 26262 EN 50128 and IEC 62304 It details the advantages and disadvantages of many architectural and design practices recommended in the standards ranging from replication and diversification through anomaly detection to the so called safety bag systems Reviewing the use of open source components in safety critical systems this book has evolved from a course text used by QNX Software Systems for a training module on building embedded software for safety critical devices including medical devices railway systems industrial systems and driver assistance devices in cars Although the book describes open source tools for the most part it

also provides enough information for you to seek out commercial vendors if that's the route you decide to pursue. All of the techniques described in this book may be further explored through hundreds of learned articles. In order to provide you with a way in the author supplies references he has found helpful as a working software developer. Most of these references are available to download for free.

[Embedded Software Development for Safety-Critical Systems, Second Edition](#) Chris Hobbs, 2019-08-16. This is a book about the development of dependable embedded software. It is for systems designers, implementers, and verifiers who are experienced in general embedded software development but who are now facing the prospect of delivering a software-based system for a safety-critical application. It is aimed at those creating a product that must satisfy one or more of the international standards relating to safety-critical applications including IEC 61508, ISO 26262, EN 50128, EN 50657, IEC 62304, or related standards. Of the first edition, Stephen Thomas, PE, Founder and Editor of FunctionalSafetyEngineer.com, said: "I highly recommend Mr. Hobbs' book."

Software Engineering Research, Management and Applications 2010 Alain Abran, Roger Lee, Olga Ormandjieva, Constantinos Constantinides, 2010-05-12. The purpose of the 8th Conference on Software Engineering, Artificial Intelligence, Research, Management, and Applications (SERA 2010) held on May 24-26, 2010 in Montreal, Canada, was to bring together scientists, engineers, computer users, and students to share their experiences and exchange new ideas and research results about all aspects: theory, applications, and tools of computer and information science, and to discuss the practical challenges encountered along the way and the solutions adopted to solve them. The conference organizers selected 15 outstanding papers from SERA 2010, all of which you will find in this volume of Springer's *Studies in Computational Intelligence*.

[Embedded Systems Architecture](#) Tammy Noergaard, 2005-02-28. This comprehensive textbook provides a broad and in-depth overview of embedded systems architecture for engineering students and embedded systems professionals. The book is well-suited for undergraduate embedded systems courses in electronics, electrical engineering, and engineering technology (EET) departments in universities and colleges, as well as for corporate training of employees. The book is a readable and practical guide covering embedded hardware, firmware, and applications. It clarifies all concepts with references to current embedded technology as it exists in the industry today, including many diagrams and applicable computer code. Among the topics covered in detail are hardware components including processors, memory, buses, and I/O systems; software including device drivers and operating systems; use of assembly language and high-level languages such as C and Java; interfacing and networking; case studies of real-world embedded designs; applicable standards grouped by system application. Without a doubt, the most accessible, comprehensive, yet comprehensible book on embedded systems ever written. Leading companies and universities have been involved in the development of the content. An instant classic.

Software Engineering, Artificial Intelligence, Networking and Parallel/Distributed Computing Roger Lee, 2008-08-18. The 9th ACIS International Conference on Software Engineering, Artificial Intelligence, Networking, and Parallel Distributed Computing, held in Phuket, Thailand, on August 6-8, 2008, is aimed at

bringing together researchers and scientist businessmen and entrepreneurs teachers and students to discuss the numerous fields of computer science and to share ideas and information in a meaningful way This publication captures 20 of the conference s most promising papers and we impatiently await the important contributions that we know these authors will bring to the field

[Embedded RTOS Design](#) Colin Walls,2020-12-04 Embedded RTOS Design Insights and Implementation combines explanations of RTOS concepts with detailed practical implementation It gives a detailed description of the implementation of a basic real time kernel designed to be limited in scope and simple to understand which could be used for a real design of modest complexity The kernel features upward compatibility to a commercial real time operating system Nucleus RTOS Code is provided which can be used without restriction Gain practical information on Scheduling preemption and interrupts Information flow queues semaphores etc and how they work Signaling between tasks signals events etc Memory management Where does each task get its stack from What happens if the stack overflows The CPU context storage and retrieval after a context switch With this book you will be able to Utilize a basic real time kernel to develop your own prototype Design RTOS features Understand the facilities of a commercial RTOS

Information Systems Efrem G. Mallach,2015-08-18 Most information systems IS texts overwhelm business students with overly technical information they may not need in their careers This textbook takes a new approach to the required IS course for business majors For each topic covered the text highlights key Take Aways that alert students to material they will need to remember during their careers Sections titled Where You Fit In and Why This Chapter Matters explain how the topics being covered will impact students once they are on the job Review questions discussion questions and summaries are included in each chapter

Co-verification of Hardware and Software for ARM SoC Design Jason Andrews,2004-09-04 Hardware software co verification is how to make sure that embedded system software works correctly with the hardware and that the hardware has been properly designed to run the software successfully before large sums are spent on prototypes or manufacturing This is the first book to apply this verification technique to the rapidly growing field of embedded systems on a chip SoC As traditional embedded system design evolves into single chip design embedded engineers must be armed with the necessary information to make educated decisions about which tools and methodology to deploy SoC verification requires a mix of expertise from the disciplines of microprocessor and computer architecture logic design and simulation and C and Assembly language embedded software Until now the relevant information on how it all fits together has not been available Andrews a recognized expert provides in depth information about how co verification really works how to be successful using it and pitfalls to avoid He illustrates these concepts using concrete examples with the ARM core a technology that has the dominant market share in embedded system product design The companion CD ROM contains all source code used in the design examples a searchable e book version and useful design tools The only book on verification for systems on a chip SoC on the market Will save engineers and their companies time and money by showing them how to speed up the testing process while

still avoiding costly mistakes Design examples use the ARM core the dominant technology in SoC and all the source code is included on the accompanying CD Rom so engineers can easily use it in their own designs

Software Product Line Engineering Klaus Pohl,Günter Böckle, Frank J. van der Linden,2005-08-03 Software product line engineering has proven to be the methodology for developing a diversity of software products and software intensive systems at lower costs in shorter time and with higher quality In this book Pohl and his co authors present a framework for software product line engineering which they have developed based on their academic as well as industrial experience gained in projects over the last eight years They do not only detail the technical aspect of the development but also an integrated view of the business organisation and process aspects are given In addition they explicitly point out the key differences of software product line engineering compared to traditional single software system development as the need for two distinct development processes for domain and application engineering respectively or the need to define and manage variability

Air Force Software Sustainment and Maintenance of Weapons Systems National Academies of Sciences, Engineering, and Medicine, Division on Engineering and Physical Sciences, Air Force Studies Board, Committee on Software Sustainment and Maintenance of Weapons Systems,2020-07-09 Modern software engineering practices pioneered by the commercial software community have begun transforming Department of Defense DoD software development integration processes and deployment cycles DoD must further adopt and adapt these practices across the full defense software life cycle and this adoption has implications for software maintenance and software sustainment across the U S defense community Air Force Software Sustainment and Maintenance of Weapons Systems evaluates the current state of software sustainment within the U S Air Force and recommends changes to the software sustainment enterprise This report assesses how software that is embedded within weapon platforms is currently sustained within the U S Air Force identifies the unique requirements of software sustainment develops and recommends a software sustainment work breakdown structure and identifies the necessary personnel skill sets and core competencies for software sustainment

Embedded Software for the IoT Klaus Elk,2018-12-03 With a mixture of theory examples and well integrated figures Embedded Software for the IoT helps the reader understand the details in the technologies behind the devices used in the Internet of Things It provides an overview of IoT parameters of designing an embedded system and good practice concerning code version control and defect tracking needed to build and maintain a connected embedded system After presenting a discussion on the history of the internet and the world wide web the book introduces modern CPUs and operating systems The author then delves into an in depth view of core IoT domains including Wired and wireless networking Digital filters Security in embedded and networked systems Statistical Process Control for Industry 4 0 This book will benefit software developers moving into the embedded realm as well as developers already working with embedded systems

Electronic Design ,1996 *Embedded Software Development* Ivan Cibrario Bertolotti, Tingting Hu,2017-12-19 Embedded Software Development The Open Source Approach delivers a practical

introduction to embedded software development with a focus on open source components This programmer centric book is written in a way that enables even novice practitioners to grasp the development process as a whole Incorporating real code fragments and explicit real world open source operating system references in particular FreeRTOS throughout the text Defines the role and purpose of embedded systems describing their internal structure and interfacing with software development tools Examines the inner workings of the GNU compiler collection GCC based software development system or in other words toolchain Presents software execution models that can be adopted profitably to model and express concurrency Addresses the basic nomenclature models and concepts related to task based scheduling algorithms Shows how an open source protocol stack can be integrated in an embedded system and interfaced with other software components Analyzes the main components of the FreeRTOS Application Programming Interface API detailing the implementation of key operating system concepts Discusses advanced topics such as formal verification model checking runtime checks memory corruption security and dependability Embedded Software Development The Open Source Approach capitalizes on the authors extensive research on real time operating systems and communications used in embedded applications often carried out in strict cooperation with industry Thus the book serves as a springboard for further research

Fuel your quest for knowledge with Authored by is thought-provoking masterpiece, Dive into the World of **Embedded Software The Works** . This educational ebook, conveniently sized in PDF (Download in PDF: *), is a gateway to personal growth and intellectual stimulation. Immerse yourself in the enriching content curated to cater to every eager mind. Download now and embark on a learning journey that promises to expand your horizons. .

<https://py.bijouxmedusa.com/About/publication/fetch.php/airwell%20air%20conditioner%20remote%20control%20instructions.pdf>

Table of Contents Embedded Software The Works

1. Understanding the eBook Embedded Software The Works
 - The Rise of Digital Reading Embedded Software The Works
 - Advantages of eBooks Over Traditional Books
2. Identifying Embedded Software The Works
 - Exploring Different Genres
 - Considering Fiction vs. Non-Fiction
 - Determining Your Reading Goals
3. Choosing the Right eBook Platform
 - Popular eBook Platforms
 - Features to Look for in an Embedded Software The Works
 - User-Friendly Interface
4. Exploring eBook Recommendations from Embedded Software The Works
 - Personalized Recommendations
 - Embedded Software The Works User Reviews and Ratings
 - Embedded Software The Works and Bestseller Lists
5. Accessing Embedded Software The Works Free and Paid eBooks
 - Embedded Software The Works Public Domain eBooks
 - Embedded Software The Works eBook Subscription Services

- Embedded Software The Works Budget-Friendly Options
- 6. Navigating Embedded Software The Works eBook Formats
 - ePub, PDF, MOBI, and More
 - Embedded Software The Works Compatibility with Devices
 - Embedded Software The Works Enhanced eBook Features
- 7. Enhancing Your Reading Experience
 - Adjustable Fonts and Text Sizes of Embedded Software The Works
 - Highlighting and Note-Taking Embedded Software The Works
 - Interactive Elements Embedded Software The Works
- 8. Staying Engaged with Embedded Software The Works
 - Joining Online Reading Communities
 - Participating in Virtual Book Clubs
 - Following Authors and Publishers Embedded Software The Works
- 9. Balancing eBooks and Physical Books Embedded Software The Works
 - Benefits of a Digital Library
 - Creating a Diverse Reading Collection Embedded Software The Works
- 10. Overcoming Reading Challenges
 - Dealing with Digital Eye Strain
 - Minimizing Distractions
 - Managing Screen Time
- 11. Cultivating a Reading Routine Embedded Software The Works
 - Setting Reading Goals Embedded Software The Works
 - Carving Out Dedicated Reading Time
- 12. Sourcing Reliable Information of Embedded Software The Works
 - Fact-Checking eBook Content of Embedded Software The Works
 - Distinguishing Credible Sources
- 13. Promoting Lifelong Learning
 - Utilizing eBooks for Skill Development
 - Exploring Educational eBooks
- 14. Embracing eBook Trends

- Integration of Multimedia Elements
- Interactive and Gamified eBooks

Embedded Software The Works Introduction

In this digital age, the convenience of accessing information at our fingertips has become a necessity. Whether its research papers, eBooks, or user manuals, PDF files have become the preferred format for sharing and reading documents. However, the cost associated with purchasing PDF files can sometimes be a barrier for many individuals and organizations. Thankfully, there are numerous websites and platforms that allow users to download free PDF files legally. In this article, we will explore some of the best platforms to download free PDFs. One of the most popular platforms to download free PDF files is Project Gutenberg. This online library offers over 60,000 free eBooks that are in the public domain. From classic literature to historical documents, Project Gutenberg provides a wide range of PDF files that can be downloaded and enjoyed on various devices. The website is user-friendly and allows users to search for specific titles or browse through different categories. Another reliable platform for downloading Embedded Software The Works free PDF files is Open Library. With its vast collection of over 1 million eBooks, Open Library has something for every reader. The website offers a seamless experience by providing options to borrow or download PDF files. Users simply need to create a free account to access this treasure trove of knowledge. Open Library also allows users to contribute by uploading and sharing their own PDF files, making it a collaborative platform for book enthusiasts. For those interested in academic resources, there are websites dedicated to providing free PDFs of research papers and scientific articles. One such website is Academia.edu, which allows researchers and scholars to share their work with a global audience. Users can download PDF files of research papers, theses, and dissertations covering a wide range of subjects. Academia.edu also provides a platform for discussions and networking within the academic community. When it comes to downloading Embedded Software The Works free PDF files of magazines, brochures, and catalogs, Issuu is a popular choice. This digital publishing platform hosts a vast collection of publications from around the world. Users can search for specific titles or explore various categories and genres. Issuu offers a seamless reading experience with its user-friendly interface and allows users to download PDF files for offline reading. Apart from dedicated platforms, search engines also play a crucial role in finding free PDF files. Google, for instance, has an advanced search feature that allows users to filter results by file type. By specifying the file type as "PDF," users can find websites that offer free PDF downloads on a specific topic. While downloading Embedded Software The Works free PDF files is convenient, its important to note that copyright laws must be respected. Always ensure that the PDF files you download are legally available for free. Many authors and publishers voluntarily provide free PDF versions of their work, but its essential to be cautious and verify the authenticity of the source before downloading Embedded Software The Works. In conclusion, the

internet offers numerous platforms and websites that allow users to download free PDF files legally. Whether its classic literature, research papers, or magazines, there is something for everyone. The platforms mentioned in this article, such as Project Gutenberg, Open Library, Academia.edu, and Issuu, provide access to a vast collection of PDF files. However, users should always be cautious and verify the legality of the source before downloading Embedded Software The Works any PDF files. With these platforms, the world of PDF downloads is just a click away.

FAQs About Embedded Software The Works Books

How do I know which eBook platform is the best for me? Finding the best eBook platform depends on your reading preferences and device compatibility. Research different platforms, read user reviews, and explore their features before making a choice. Are free eBooks of good quality? Yes, many reputable platforms offer high-quality free eBooks, including classics and public domain works. However, make sure to verify the source to ensure the eBook credibility. Can I read eBooks without an eReader? Absolutely! Most eBook platforms offer web-based readers or mobile apps that allow you to read eBooks on your computer, tablet, or smartphone. How do I avoid digital eye strain while reading eBooks? To prevent digital eye strain, take regular breaks, adjust the font size and background color, and ensure proper lighting while reading eBooks. What the advantage of interactive eBooks? Interactive eBooks incorporate multimedia elements, quizzes, and activities, enhancing the reader engagement and providing a more immersive learning experience. Embedded Software The Works is one of the best book in our library for free trial. We provide copy of Embedded Software The Works in digital format, so the resources that you find are reliable. There are also many Ebooks of related with Embedded Software The Works. Where to download Embedded Software The Works online for free? Are you looking for Embedded Software The Works PDF? This is definitely going to save you time and cash in something you should think about.

Find Embedded Software The Works :

[airwell air conditioner remote control instructions](#)

[**alfa romeo 156 q4 service manual**](#)

[**american english file 2 workbook answers**](#)

[agricultural economics and agribusiness an introduction](#)

[aerodrome meteorological observation and forecast study](#)

[alcatel lucent oxo connect teles](#)

~~algebra 1 station activities for common core standards station activities for common core high school math~~

~~alchemist study guide questions and answers~~

~~akata witch 1 nnedi okorafor~~

~~agarbatti perfume compound making formulation niralbi~~

~~american cinematographer manual 10th edition~~

~~allez viens level 2 chapter 3~~

alix and nicky the passion of last tsar tsarina virginia rounding

american headway 2 second edition

ageing gender and illness in anglophone literature narrating age in the bildungsroman routledge interdisciplinary

perspectives on literature

Embedded Software The Works :

plan d entraînement pour courir le marathon en 4 h 4 séances - Feb 08 2023

web aug 20 2012 en suivant ce plan vous avez 12 semaines pour boucler votre marathon en 4 heures au rythme de trois entraînements hebdomadaires après quelques semi

comment courir un marathon en moins de trois heures red bull - Sep 03 2022

web numerous times for their favorite books later than this le marathon en moins de 4 heures avec un programm but end occurring in harmful downloads rather than enjoying a

le marathon en moins de 4 heures avec un programm pdf - Mar 29 2022

marathon objectif moins de 4h runners fr - Aug 14 2023

web sep 17 2017 le programme pour courir le marathon en 4h semaine 1 séance 1 1 h 30 min à allure 1 dont 3x6 min à 80 85 de vma récupération entre les fractions 1 min

qu est ce qu un bon chrono au marathon asics be - Feb 25 2022

plan d entraînement marathon running addict - Aug 02 2022

web ce plan d entraînement marathon en 4h15 est destiné aux coureurs à pied débutants il se déroule sur 12 semaines à raison de 4 séances chaque semaine du programme

le marathon en moins de 4 heures avec un programm copy - Jan 27 2022

4h au marathon en 12 semaines decathlon coach - Oct 04 2022

web ainsi pour un homme une course de moins de 4 heures serait un bon chrono au marathon vous feriez partie des 43 des coureurs pour les femmes un temps

le programme d entraînement au marathon pour débutants on - Jun 12 2023

web jan 17 2014 les conditions requises objectif un marathon dans 12 semaines avec un objectif chronométrique de 4 h nombre de séances 4 définition du profil coureur se

running heroes - May 11 2023

web le marathon en moins de 4 heures avec un programme d entraînement de 12 semaines ebook butz andreas amazon fr livres

plan d entraînement marathon 4h15 10 semaines 4 séances - Dec 26 2021

objectif 4 h sur marathon 3 séances par semaine - Jan 07 2023

web sep 21 2017 vous voulez préparer un marathon pour tenter de le terminer en 4h voici un plan d entraînement marathon concocté par le coach sur 8 semaines objectif 4 h

le marathon en moins de 4 heures avec un programme - Dec 06 2022

web sep 9 2021 les coureurs qui sont au delà des trois heures ne sont pas les moins volontaires mais ils manquent peut être de constance et de régularité dans leur

le marathon en moins de 4 heures avec un programm - Nov 24 2021

plan d entraînement pour courir un marathon en 4 h 3 séances - Jul 01 2022

web le marathon en moins de 4 heures avec un programm le marathon en moins de 4 heures avec un programm is approachable in our digital library an online permission

programme marathon 4h pour débutant entrainement - Apr 10 2023

web jan 18 2023 1 soyez constant e 2 2 travaillez sur votre vitesse d endurance 3 3 boostez votre résistance 4 4 fonctionnez comme une boîte de vitesses oui 5 5

plan d entraînement marathon 8 semaines objectif 4 h u run - May 31 2022

web aug 5 2016 comment se préparer à courir un marathon en 3h avec 4 séances par semaine pendant 10 semaines avec vma que votre objectif soit le marathon de

plan d entraînement marathon en 4h30 3 séances par l Équipe - Sep 22 2021

plan d entraînement marathon 4h00 12 semaines 4 - Mar 09 2023

web pour un effort de 4h30 et plus vous pouvez voir que c est entre 75 et 80 fcm l endurance fondamentale étant fixée à 75 il est très possible que pour certains

comment courir un marathon en moins de trois heures red bull - Apr 29 2022

web aug 9 2016 comment se préparer au marathon en 4h30 avec 3 séances sur 10 semaines que vous prépariez le marathon de paris le marathon du mont saint michel ou bien

plan d entraînement marathon en 4 heures 3 séances - Nov 05 2022

web download and install the le marathon en moins de 4 heures avec un programm it is certainly simple then in the past currently we extend the link to buy and create bargains

plan d entraînement marathon en 4h 5 séances par semaine - Jul 13 2023

web il est estimé qu il faut environ 15 semaines d entraînement à un débutant pour se préparer mentalement et physiquement à un marathon 15 semaines des centaines d heures et

plan d entraînement marathon en 3h l Équipe - Oct 24 2021

Œuvre pour la paix en 3 lettres commeunefleche - Apr 04 2022

web may 14 2023 solutions pour la définition Œuvre pour la paix en 3 lettres ainsi que les differents synonymes possibles pour vos mots fléchés et mots croisés commeunefleche com search icon rechercher recherche avancée Œuvre pour la paix en 3 lettres 1 solution définition nombre de lettres solution Œuvre pour la paix 3

oeuvres compla tes tome 3 ode de la paix pdf free - Nov 11 2022

web oeuvres compla tes tome 3 ode de la paix pdf free bukuclone ortax org created date 9 21 2023 4 20 39 am

oeuvres complètes tome 3 ode de la paix by pierre de ronsard - Mar 03 2022

web jul 3 2023 oeuvres complètes tome 3 ode de la paix by pierre de ronsard el mundo ufdc home star1 agra unimi it 12000 modify quote races oeuvres pletes de voltaire tome 22 oeuvres pla les historiettes de tallemant tome sixime mmoires n 93 platn dilogos 3 search results the online books page portraits

oeuvres compla tes tome 3 ode de la paix pdf store spiralny - Jul 19 2023

web fait partie d une collection de livres reimprimés a la demande editee par hachette livre dans le cadre d un partenariat avec la bibliotheque nationale de france offrant l opportunité d accéder a des ouvrages anciens et souvent rares issus des fonds patrimoniaux de la bnf

ebooks libres et gratuits - Jul 07 2022

web we would like to show you a description here but the site won t allow us

[oeuvres complètes tome 3 ode de la paix amazon fr](#) - Sep 21 2023

web noté oeuvres complètes tome 3 ode de la paix ronsard pierre de et des millions de romans en livraison rapide

oeuvres complètes tome 3 ode de la paix pdf uniport edu - Apr 16 2023

web may 23 2023 oeuvres complètes tome 3 ode de la paix 3 5 downloaded from uniport edu ng on may 23 2023 by guest

Œuvres complètes georges louis leclerc de buffon 1839 bent s literary advertiser and register of engravings works on the fine arts 1845 oeuvres complètes de boileau nicolas boileau 1837 Œuvres complètes avec des

[elle oeuvre pour la paix en 3 lettres commeunefleche](#) - May 05 2022

web may 14 2023 solutions pour la définition elle oeuvre pour la paix en 3 lettres ainsi que les differents synonymes

possibles pour vos mots fléchés et mots croisés commeunefleche com search icon rechercher recherche avancée accueil elle

oeuvres complètes tome 3 ode de la paix download only - Jun 18 2023

web oeuvres complètes tome 3 ode de la paix genie civil jan 24 2021 odes and epodes dec 11 2019 cmt level iii 2017 mar 18

2023 everything you need to pass level iii of the cmt program cmt level iii 2017 the integration of technical analysis fully

prepares you to demonstrate competency integrating basic concepts in level i

[oeuvres complètes tome 3 ode de la paix by pierre de ronsard](#) - Dec 12 2022

web oct 7 2023 march 16th 2020 tome iii ode de la paix tombeau de marguerite de valois cinquieme livre des odes 1550

1552 societe des textes francais modernes french edition pierre de ronsard paperback 28 00 jodelle etienne abebooks

[oeuvres complètes tome 3 ode de la paix by pierre de](#) - Aug 20 2023

web oeuvres complètes tome 3 ode de la paix by pierre de ronsard travail explore la topologie de la symbolique du

nationalisme français à travers la figure de jeanne d arc dans l oeuvre de maurice barrès autour de jeanne d arc 1916 et celle de léon bloy jeanne d arc et l allemagne 1915 ces deux textes sont des artefacts culturels

[oeuvres complètes vol 3 ode de la paix 1550 tombeau de](#) - Oct 22 2023

web excerpt from oeuvres complètes vol 3 ode de la paix 1550 t oeuvres complètes vol 3 book read reviews from world s

largest community for readers

[oeuvres complètes tome 3 ode de la paix 2023](#) - Feb 02 2022

web oeuvres complètes tome 3 ode de la paix oeuvres complètes tome 3 oeuvres complètes tome 3 comédies part 1 oeuvres

complètes oeuvres complètes tome 3 oeuvres complètes tome 3 oeuvres complètes tome 3 oeuvres complètes tome 3 oeuvres

complètes tome 3 oeuvres complètes tome 3 oeuvres complètes tome

pdf oeuvres complètes tome 3 ode de la paix - Feb 14 2023

web oeuvres complètes tome 3 ode de la paix the provincial statutes of lower canada nov 04 2020 anthropologica dec 30

2022 promoting justice human rights and conflict resolution through international law la promotion de la justice des droits de

l homme et du règlement des conflits par le droit international may 23 2022

oeuvres compla tes tome 3 ode de la paix pdf uniport edu - Jan 13 2023

web apr 14 2023 *oeuvres compla tes tome 3 ode de la paix 1 3* downloaded from uniport edu ng on april 14 2023 by guest
oeuvres compla tes tome 3 ode de la paix as recognized adventure as skillfully as experience very nearly lesson amusement
as well as understanding can be gotten by just checking out a books

oeuvres compla tes tome 3 ode de la paix pdf - Oct 10 2022

web feb 25 2023 favorite books like this *oeuvres compla tes tome 3 ode de la paix* but end up in infectious downloads rather
than enjoying a good book with a cup of coffee in the afternoon instead they cope with some malicious virus inside their
laptop *oeuvres compla tes tome 3 ode de la paix* is available in our book collection an online access

centre multimédia don bosco - Mar 15 2023

web centre multimédia don bosco

oeuvres compla tes tome 3 ode de la paix uniport edu - Jun 06 2022

web apr 29 2023 right here we have countless book *oeuvres compla tes tome 3 ode de la paix* and collections to check out
we additionally meet the expense of variant types and next type of the books to browse

oeuvres compla tes tome 3 ode de la paix pdf uniport edu - Sep 09 2022

web jun 18 2023 *oeuvres compla tes tome 3 ode de la paix 1 3* downloaded from uniport edu ng on june 18 2023 by guest
oeuvres compla tes tome 3 ode de la paix recognizing the pretentiousness ways to acquire this book *oeuvres compla tes tome 3 ode de la paix* is additionally useful

oeuvres compla tes tome 3 ode de la paix full pdf - May 17 2023

web *oeuvres compla tes tome 3 ode de la paix 1 oeuvres compla tes tome 3 ode de la paix oeuvres complètes molire oeuvres
completes oeuvres completes tome 3 comédies part 1 oeuvres complètes oeuvres complètes oeuvres complètes tome 3
oeuvres complètes tome 3 oeuvres complètes tome 3 oeuvres complètes*

oeuvres compla tes tome 3 ode de la paix 2022 stage gapinc - Jan 01 2022

web 2 *oeuvres compla tes tome 3 ode de la paix 2023 02 25 oeuvres compla tes tome 3 ode de la paix* downloaded from stage
gapinc com by guest alisson norris *oeuvres complètes tome 3 oeuvres complètes* Œuvres complètes oeuvres completes de p l
courier tome 3 date de l edition originale 1828 ce livre est la reproduction

oeuvres compla tes tome 3 ode de la paix pdf stage gapinc - Nov 30 2021

web 2 2 *oeuvres compla tes tome 3 ode de la paix 2022 11 14* pour plus d informations rendez vous sur hachettebnf fr
oeuvres completes roman editions gallimard

oeuvres compla tes tome 3 ode de la paix pdf - Aug 08 2022

web oeuvres complètes tome 3 ode de la paix le temple de la paix nov 25 2022 bulletin tome lix jan 04 2021 tables des matières 1 jovan dordevic le concept de retat et le système constitutionnel de la yougoslavie 9 2 dugan calle political economy of socialism as science 15 3 dugan nedeljkovic l acte

pequena historia del mundo espasa juvenil verify meetcircle - Apr 30 2022

web pequena historia del mundo espasa juvenil momentos emocionantes de la historia de españa breve historia de hispania historia universal contemporánea breve historia de las batallas navales de la edad media breve historia de las lenguas política y geopolítica para rebeldes irreverentes y escépticos pequeña historia de la conquista de

pequeña historia del mundo espasa juvenil spanish - Mar 30 2022

web apr 4 2013 pequeña historia del mundo espasa juvenil spanish edition ebook de cortázar fernando garcía amazon de kindle store

pequena historia del mundo espasa juvenil pdf - Feb 26 2022

web en pie una forma radicalmente distinta de entender el mundo desde mayo de 1968 pareció que la transgresión se elevaba a la categoría de dogma y la nueva ortodoxia en rebeldía

pequeña historia del mundo espasa juvenil amazon de - Jun 13 2023

web fernando garcía de cortázar y ruiz de aguirre ha convertido nuestro pasado en tema de grandes best sellers sin necesidad de traicionar el rigor histórico convencido de que la historia es siempre la crónica de una aventura su talento consiste en saber contarla

[pequeña historia del mundo espasa juvenil iberlibro com](#) - May 12 2023

web dentro de este libro juntos descubriréis que se puede viajar sin salir de casa sin coche sin equipaje sólo con la imaginación no estaréis solos en vuestro viaje os guiarán clío la musa de la historia y seis grandes sabios y juntos veréis la vida del mundo desde que es mundo te imaginas imagínatelo abre pues este libro

pequeña historia del mundo fernando garcía de cortázar - Jul 02 2022

web lejos de la erudición inútil su formación humanística y su larga experiencia como catedrático de la universidad de deusto bilbao le sirven para iluminar con belleza y sencillez el mundo de luchas pasiones temores utopías y cambios en el que se desenvuelve la vida de todas las épocas

[amazon es opiniones de clientes pequeña historia del mundo espasa](#) - Dec 07 2022

web vea reseñas y calificaciones de reseñas que otros clientes han escrito de pequeña historia del mundo espasa juvenil en amazon com lea reseñas de productos sinceras e imparciales de nuestros usuarios

pequeña historia del mundo espasa juvenil liibook - Jun 01 2022

web pequeña historia del mundo espasa juvenil es un libro para descargar gratis en epub pdf y mobi del autor a fernando

garcía de cortázar descarga tu libro en diversos formatos descargar gratis desde amazon

pequeña historia del mundo espasa juvenil spanish edition - Nov 06 2022

web pequeña historia del mundo espasa juvenil spanish edition ebook de cortázar fernando garcía amazon de kindle shop

pequeña historia del mundo espasa juvenil garcía de - Mar 10 2023

web pequeña historia del mundo espasa juvenil garcía de cortázar fernando amazon es libros

pequeña historia del mundo espasa juvenil spanish - Oct 05 2022

web pequeña historia del mundo espasa juvenil spanish edition ebook de cortázar fernando garcía amazon it kindle store

pequeña historia del mundo espasa juvenil by fernando garcía de - Dec 27 2021

web fernando garcía de cortázar y ruiz de aguirre ha convertido nuestro pasado en tema de grandes best sellers sin

necesidad de traicionar el rigor histórico convencido de que la historia es siempre la crónica de una aventura su talento

consiste en saber contarla

pequeña historia del mundo espasa juvenil amazon es - Apr 11 2023

web biografía del autor fernando garcía de cortázar y ruiz de aguirre ha convertido nuestro pasado en tema de grandes best

sellers sin necesidad de traicionar el rigor histórico convencido de que la historia es siempre la crónica de una aventura su

talento consiste en saber contarla

pequeña historia del mundo espasa juvenil versión kindle - Feb 09 2023

web pequeña historia del mundo espasa juvenil ebook de cortázar fernando garcía amazon es libros

series espasa juvenil overdrive - Aug 03 2022

web pequeña historia del mundo espasa juvenil series fernando garcía de cortázar author 2013

pequeña historia del mundo espasa juvenil edición kindle - Sep 04 2022

web pequeña historia del mundo espasa juvenil ebook de cortázar fernando garcía amazon com mx tienda kindle

pequeña historia del mundo espasa juvenil amazon es - Aug 15 2023

web como libro de historia tiene una profundidad muy escasa son pequeñas historias 4 páginas no más que se van enlazando

en una trama novelada que a mi entender no aporta gran cosa como herramienta para introducir a los más peques en la

historia me parece una opción razonable pero no más

pequeña historia del mundo espasa juvenil amazon com tr - Jul 14 2023

web pequeña historia del mundo espasa juvenil garcía de cortázar fernando amazon com tr kitap

pequena historia del mundo espasa juvenil - Jan 28 2022

web 2 pequena historia del mundo espasa juvenil 2021 04 30 líderes militares cuyas hazañas bélicas cambiaron el curso de la

historia antigua determinando la evolución de la cultura clásica los mayores generales de la antigüedad han sido muy

influyentes en su época por sus hazañas y su modo de hacer la guerra

espasa juveni cuentos planetadelibros - Jan 08 2023

web historia de la filosofía sin temor ni temblor fernando savater juvenil