

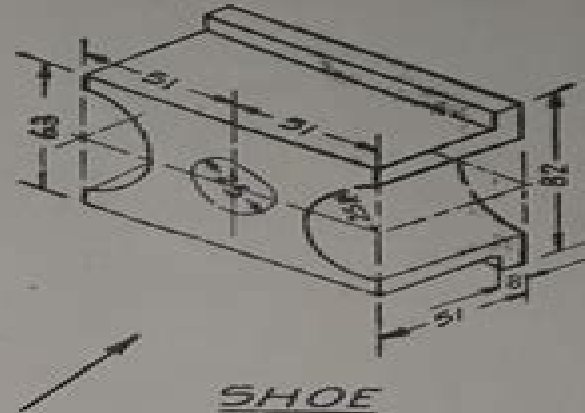
Time: 3 Hours

MM: 50

Note: Attempt all the questions. Assume any missing dimensions suitably.

Q1. a) Draw the following views of given object.

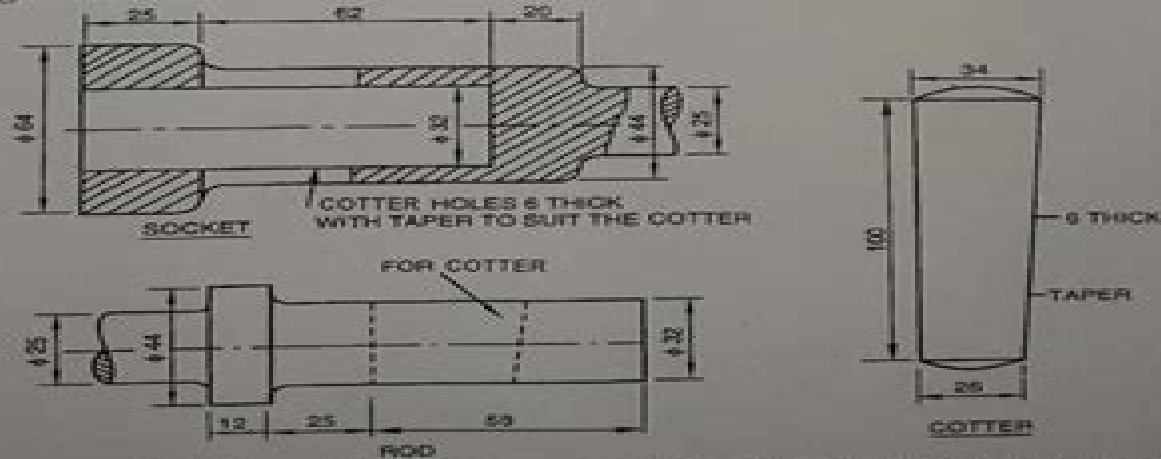
- i) Front view [6]
- ii) Right side view [5]
- iii) Top view [4]



Q1. b) A point P is 50 mm from both the reference planes. Draw its projections in all possible positions. [5]

Q2. Details of spigot and socket joint are given. Assemble the parts and draw following orthographic views:

- i) Front view upper half in section [12]
- ii) Right side view [8]



Q3. Draw front view (full in section), top view and right side view of two plates fastened with hexagonal nut-bolt, locknut and washer. Take the bolt diameter as 24 mm. [4+3+3]

Engineering Graphics Notes 1st Year

Michael Seilmaier



Engineering Graphics Notes 1st Year:

ENGINEERING GRAPHICS WITH AUTOCAD, REVISED EDITION KULKARNI, D. M., RASTOGI, A. P., SARKAR, A. K., 2009-04-13 Designed as a text for the undergraduate students of all branches of engineering this compendium gives an opportunity to learn and apply the popular drafting software AutoCAD in designing projects The textbook is organized in three comprehensive parts Part I AutoCAD deals with the basic commands of AutoCAD a popular drafting software used by engineers and architects Part II Projection Techniques contains various projection techniques used in engineering for technical drawings These techniques have been explained with a number of line diagrams to make them simple to the students Part III Descriptive Geometry mainly deals with 3 D objects that require imagination The accompanying CD contains the animations using creative multimedia and PowerPoint presentations for all chapters In a nutshell this textbook will help students maintain their cutting edge in the professional job market **KEY FEATURES** Explains fundamentals of imagination skill in generic and basic forms to crystallize concepts Includes chapters on aspects of technical drawing and AutoCAD as a tool Treats problems in the third angle as well as first angle methods of projection in line with the revised code of Indian Standard Code of Practice for General Drawing **Journal of Engineering Graphics**, 1963 **General Catalog** Georgia Institute of Technology, 1964 **Engineering Design Graphics Journal**, 2003 **Annual Catalogue of the Agricultural and Mechanical College of Texas. Session ...** Agricultural and Mechanical College of Texas, 1972 **Catalog of Copyright Entries, Fourth Series** Library of Congress. Copyright Office, 1978-10 **Subject Index of Modern Books Acquired** British Library, 1961 *Catalogue of Title-entries of Books and Other Articles Entered in the Office of the Librarian of Congress, at Washington, Under the Copyright Law ... Wherein the Copyright Has Been Completed by the Deposit of Two Copies in the Office* Library of Congress. Copyright Office, 1978 **Engineering Graphics** James S. Rising, Maurice W. Almfeldt, Paul S. DeJong, 1977 **University of Illinois Bulletin**, 1964 **Undergraduate Study** University of Illinois (Urbana-Champaign campus), 1964 **Announcements for the Year** Purdue University, 1878 **University of Colorado at Denver Catalog** University of Colorado at Denver, 2009 **Record ... Catalog ... Announcements** Clemson Agricultural College of South Carolina, 1974 **Announcement for the Academic Year** University of Arizona, 1963 **Engineering Education for the 21st Century** Dan Budny, 1995 **Frontiers in Education 1995** Dan Budny, 1995 *University of California Union Catalog of Monographs Cataloged by the Nine Campuses from 1963 Through 1967: Authors & titles* University of California (System). Institute of Library Research, University of California, Berkeley, 1972 **COM Almanac**, 1989 *Graphics for Engineers, Architects, and Builders: Bridge-trusses* Charles Ezra Greene, 1907

Embark on a breathtaking journey through nature and adventure with Explore with is mesmerizing ebook, Natureis Adventure: **Engineering Graphics Notes 1st Year** . This immersive experience, available for download in a PDF format (Download in PDF: *), transports you to the heart of natural marvels and thrilling escapades. Download now and let the adventure begin!

https://py.bijouxmedusa.com/results/browse/index.jsp/for_startups_4_1965_travel_tips_roadmap_usa_4_123_travel_tips_roadmap.pdf

Table of Contents Engineering Graphics Notes 1st Year

1. Understanding the eBook Engineering Graphics Notes 1st Year
 - The Rise of Digital Reading Engineering Graphics Notes 1st Year
 - Advantages of eBooks Over Traditional Books
2. Identifying Engineering Graphics Notes 1st Year
 - Exploring Different Genres
 - Considering Fiction vs. Non-Fiction
 - Determining Your Reading Goals
3. Choosing the Right eBook Platform
 - Popular eBook Platforms
 - Features to Look for in an Engineering Graphics Notes 1st Year
 - User-Friendly Interface
4. Exploring eBook Recommendations from Engineering Graphics Notes 1st Year
 - Personalized Recommendations
 - Engineering Graphics Notes 1st Year User Reviews and Ratings
 - Engineering Graphics Notes 1st Year and Bestseller Lists
5. Accessing Engineering Graphics Notes 1st Year Free and Paid eBooks
 - Engineering Graphics Notes 1st Year Public Domain eBooks
 - Engineering Graphics Notes 1st Year eBook Subscription Services

- Engineering Graphics Notes 1st Year Budget-Friendly Options
- 6. Navigating Engineering Graphics Notes 1st Year eBook Formats
 - ePub, PDF, MOBI, and More
 - Engineering Graphics Notes 1st Year Compatibility with Devices
 - Engineering Graphics Notes 1st Year Enhanced eBook Features
- 7. Enhancing Your Reading Experience
 - Adjustable Fonts and Text Sizes of Engineering Graphics Notes 1st Year
 - Highlighting and Note-Taking Engineering Graphics Notes 1st Year
 - Interactive Elements Engineering Graphics Notes 1st Year
- 8. Staying Engaged with Engineering Graphics Notes 1st Year
 - Joining Online Reading Communities
 - Participating in Virtual Book Clubs
 - Following Authors and Publishers Engineering Graphics Notes 1st Year
- 9. Balancing eBooks and Physical Books Engineering Graphics Notes 1st Year
 - Benefits of a Digital Library
 - Creating a Diverse Reading Collection Engineering Graphics Notes 1st Year
- 10. Overcoming Reading Challenges
 - Dealing with Digital Eye Strain
 - Minimizing Distractions
 - Managing Screen Time
- 11. Cultivating a Reading Routine Engineering Graphics Notes 1st Year
 - Setting Reading Goals Engineering Graphics Notes 1st Year
 - Carving Out Dedicated Reading Time
- 12. Sourcing Reliable Information of Engineering Graphics Notes 1st Year
 - Fact-Checking eBook Content of Engineering Graphics Notes 1st Year
 - Distinguishing Credible Sources
- 13. Promoting Lifelong Learning
 - Utilizing eBooks for Skill Development
 - Exploring Educational eBooks
- 14. Embracing eBook Trends

- Integration of Multimedia Elements
- Interactive and Gamified eBooks

Engineering Graphics Notes 1st Year Introduction

Free PDF Books and Manuals for Download: Unlocking Knowledge at Your Fingertips In today's fast-paced digital age, obtaining valuable knowledge has become easier than ever. Thanks to the internet, a vast array of books and manuals are now available for free download in PDF format. Whether you are a student, professional, or simply an avid reader, this treasure trove of downloadable resources offers a wealth of information, conveniently accessible anytime, anywhere. The advent of online libraries and platforms dedicated to sharing knowledge has revolutionized the way we consume information. No longer confined to physical libraries or bookstores, readers can now access an extensive collection of digital books and manuals with just a few clicks. These resources, available in PDF, Microsoft Word, and PowerPoint formats, cater to a wide range of interests, including literature, technology, science, history, and much more. One notable platform where you can explore and download free Engineering Graphics Notes 1st Year PDF books and manuals is the internet's largest free library. Hosted online, this catalog compiles a vast assortment of documents, making it a veritable goldmine of knowledge. With its easy-to-use website interface and customizable PDF generator, this platform offers a user-friendly experience, allowing individuals to effortlessly navigate and access the information they seek. The availability of free PDF books and manuals on this platform demonstrates its commitment to democratizing education and empowering individuals with the tools needed to succeed in their chosen fields. It allows anyone, regardless of their background or financial limitations, to expand their horizons and gain insights from experts in various disciplines. One of the most significant advantages of downloading PDF books and manuals lies in their portability. Unlike physical copies, digital books can be stored and carried on a single device, such as a tablet or smartphone, saving valuable space and weight. This convenience makes it possible for readers to have their entire library at their fingertips, whether they are commuting, traveling, or simply enjoying a lazy afternoon at home. Additionally, digital files are easily searchable, enabling readers to locate specific information within seconds. With a few keystrokes, users can search for keywords, topics, or phrases, making research and finding relevant information a breeze. This efficiency saves time and effort, streamlining the learning process and allowing individuals to focus on extracting the information they need. Furthermore, the availability of free PDF books and manuals fosters a culture of continuous learning. By removing financial barriers, more people can access educational resources and pursue lifelong learning, contributing to personal growth and professional development. This democratization of knowledge promotes intellectual curiosity and empowers individuals to become lifelong learners, promoting progress and innovation in various fields. It is worth noting that while accessing free Engineering Graphics Notes 1st Year PDF books and manuals is convenient and cost-effective, it is vital

to respect copyright laws and intellectual property rights. Platforms offering free downloads often operate within legal boundaries, ensuring that the materials they provide are either in the public domain or authorized for distribution. By adhering to copyright laws, users can enjoy the benefits of free access to knowledge while supporting the authors and publishers who make these resources available. In conclusion, the availability of Engineering Graphics Notes 1st Year free PDF books and manuals for download has revolutionized the way we access and consume knowledge. With just a few clicks, individuals can explore a vast collection of resources across different disciplines, all free of charge. This accessibility empowers individuals to become lifelong learners, contributing to personal growth, professional development, and the advancement of society as a whole. So why not unlock a world of knowledge today? Start exploring the vast sea of free PDF books and manuals waiting to be discovered right at your fingertips.

FAQs About Engineering Graphics Notes 1st Year Books

How do I know which eBook platform is the best for me? Finding the best eBook platform depends on your reading preferences and device compatibility. Research different platforms, read user reviews, and explore their features before making a choice. Are free eBooks of good quality? Yes, many reputable platforms offer high-quality free eBooks, including classics and public domain works. However, make sure to verify the source to ensure the eBook credibility. Can I read eBooks without an eReader? Absolutely! Most eBook platforms offer webbased readers or mobile apps that allow you to read eBooks on your computer, tablet, or smartphone. How do I avoid digital eye strain while reading eBooks? To prevent digital eye strain, take regular breaks, adjust the font size and background color, and ensure proper lighting while reading eBooks. What the advantage of interactive eBooks? Interactive eBooks incorporate multimedia elements, quizzes, and activities, enhancing the reader engagement and providing a more immersive learning experience. Engineering Graphics Notes 1st Year is one of the best book in our library for free trial. We provide copy of Engineering Graphics Notes 1st Year in digital format, so the resources that you find are reliable. There are also many Ebooks of related with Engineering Graphics Notes 1st Year. Where to download Engineering Graphics Notes 1st Year online for free? Are you looking for Engineering Graphics Notes 1st Year PDF? This is definitely going to save you time and cash in something you should think about. If you trying to find then search around for online. Without a doubt there are numerous these available and many of them have the freedom. However without doubt you receive whatever you purchase. An alternate way to get ideas is always to check another Engineering Graphics Notes 1st Year. This method for see exactly what may be included and adopt these ideas to your book. This site will almost certainly help you save time and effort, money and stress. If you are looking for free books then you really should consider finding to assist you try this. Several of Engineering Graphics Notes 1st Year are for sale to free while

some are payable. If you are not sure if the books you would like to download work with for usage along with your computer, it is possible to download free trials. The free guides make it easy for someone to have free access to an online library for downloading books to your device. You can get free downloads on free trial for lots of book categories. Our library is the biggest of these that have literally hundreds of thousands of different product categories represented. You will also see that there are specific sites catered to different product types or categories, brands or niches related with Engineering Graphics Notes 1st Year. So depending on what exactly you are searching, you will be able to choose e-books to suit your own need. Need to access completely for Campbell Biology Seventh Edition book? Access Ebook without any digging. And by having access to our ebook online or by storing it on your computer, you have convenient answers with Engineering Graphics Notes 1st Year. To get started finding Engineering Graphics Notes 1st Year, you are right to find our website which has a comprehensive collection of books online. Our library is the biggest of these that have literally hundreds of thousands of different products represented. You will also see that there are specific sites catered to different categories or niches related with Engineering Graphics Notes 1st Year. So depending on what exactly you are searching, you will be able to choose an ebook to suit your own need. Thank you for reading Engineering Graphics Notes 1st Year. Maybe you have knowledge that, people have searched numerous times for their favorite readings like this Engineering Graphics Notes 1st Year, but end up in harmful downloads. Rather than reading a good book with a cup of coffee in the afternoon, instead they juggled with some harmful bugs inside their laptop. Engineering Graphics Notes 1st Year is available in our book collection and online access to it is set as public so you can download it instantly. Our digital library spans in multiple locations, allowing you to get the most less latency time to download any of our books like this one. Merely said, Engineering Graphics Notes 1st Year is universally compatible with any devices to read.

Find Engineering Graphics Notes 1st Year :

for startups 4-1965 travel tips roadmap USA 4-123 travel tips roadmap

for startups 4-357 budget travel case study USA 4-1066 budget travel

development explained United States 4-322 blockchain development

real estate investing tutorial for startups 4-2168 remote jobs apps

creators 4-743 cloud computing ideas for small business 4-1704 cloud

comparison for entrepreneurs 4-15 remote work examples America 4-1630

lifestyle apps for entrepreneurs 4-112 minimalist lifestyle best

step by step for startups 4-705 mental wellness strategies USA 4-1175

trends for entrepreneurs 4-1771 remote jobs trends for entrepreneurs

marketing review United States 4-2615 TikTok marketing review for investing examples United States 4-220 real estate investing explained checklist USA 4-1141 online privacy checklist United States 4-1619 marketing tools for creators 4-195 TikTok marketing tools for States 4-1828 digital marketing roadmap USA 4-1889 digital marketing small business 4-408 blockchain development trends America 4-1241

Engineering Graphics Notes 1st Year :

asbestos q a uw milwaukee pdf eshraqgroup - Jan 09 2023

web asbestos q a uw milwaukee pdf below asbestos statutes and rules wisconsin department of health services web feb 22 2021 the following agencies administer other major asbestos regulations city of milwaukee u s environmental protection agency epa u s occupational and safety administration osha wisconsin

best 26 asbestos testing in milwaukee wi with reviews - Feb 27 2022

web 544 e ogden ave ste 700 139 milwaukee wi 53202 5 certified environmental service asbestos detection removal services asbestos consulting testing website 30

asbestos q a uw milwaukee bespoke cityam - Aug 04 2022

web apr 28 2023 asbestos q a uw milwaukee find asbestos mesothelioma attorneys and law firms in milwaukee wi with contact information descriptive overview practice areas publications lawyers

asbestos q a uw milwaukee htaccess guide - Dec 08 2022

web mar 3 2023 asbestos q a uw milwaukee eventually you will very discover a further experience and feat by spending more cash nevertheless when reach you take on that you require to get those every needs following having significantly cash why dont you try to acquire something basic in the beginning

dns 77 asbestos brochure city of milwaukee - Sep 05 2022

web asbestos exposure will result in asbestosis or lung cancer w here to find asbestos in the home asbestos may be found in many places throughout the home the only accurate method of determining if a material contains asbestos is to have the substance analyzed by a certified laboratory a list of local laboratories can be

asbestos q a uw milwaukee - Dec 28 2021

web april 24th 2018 epub book asbestos q a uw milwaukee asbestos q a uw milwaukee hunting for asbestos q a uw milwaukee epub book do you really need this file of asbestos q a uw milwaukee asbestos attorney national mesothelioma march 15th 2018 milwaukee mesothelioma victims can pursue legal compensation with the help of a

asbestos q a uw milwaukee 2022 logb fonedog - Jan 29 2022

web if you ally habit such a referred asbestos q a uw milwaukee books that will present you worth acquire the extremely best seller from us currently from several preferred authors if you desire to hilarious books lots of novels tale jokes and more fictions collections are plus launched from best seller to one of the most current released

asbestos q a uw milwaukee pdf copy voto uncal edu - May 13 2023

web remarkable this extraordinary book aptly titled asbestos q a uw milwaukee pdf compiled by a highly acclaimed author immerses readers in a captivating exploration of the significance of language and its profound affect our existence

[can you throw away asbestos in a dumpster milwaukee dumpster rental](#) - Mar 31 2022

web can asbestos be thrown into a dumpster milwaukee wi price cost and delivery of dumpsters close me 414 550 2988 call us 414 550 2988 pricing delivery what size will i need asbestos is on a list of restricted items in milwaukee meaning it can t be thrown away in a dumpster some types of asbestos containing materials not allowed

asbestos q a uw milwaukee subsites imoney my - Mar 11 2023

web aug 15 2023 ebooks asbestos q a uw milwaukee category kindle and ebooks pdf author unidentified best milwaukee wi asbestos attorneys super lawyers may 7th 2018 free profiles of 2 top rated milwaukee wisconsin asbestos subsites imoney my 5 15 attorneys on super lawyers browse comprehensive profiles including

asbestos q a uw milwaukee pdf uniport edu - Apr 12 2023

web apr 28 2023 asbestos q a uw milwaukee 2 6 downloaded from uniport edu ng on april 28 2023 by guest management systems that are cost effective and protect human health and the environment illustrated introduction to management of reverse logistics and closed loop supply chain processes donald f

asbestos q a uw milwaukee bsdd buildingsmart com - Feb 10 2023

web asbestos q a uw milwaukee asbestos q a uw milwaukee pdfsdocuments2 com april 19th 2018 asbestos q a uw milwaukee pdf free download here union 00e1q ballroom dfd project notes uw milwaukee 4 uwm edu pps usaa asb campus un union00e1q pdf asbestos testing and inspection services in milwaukee wi

asbestos q a uw milwaukee pdf 2023 joerstephens com - Nov 07 2022

web mar 31 2023 asbestos q a uw milwaukee pdf if you ally craving such a referred asbestos q a uw milwaukee pdf book that will present you worth get the entirely best seller from us currently from several preferred authors

[asbestos q a uw milwaukee pdf jenicallily com](#) - Jul 15 2023

web jun 20 2023 merely said the asbestos q a uw milwaukee pdf is universally compatible with any devices to read the civil engineering handbook w f chen 2002 08 29 first published in 1995 the award winning civil engineering handbook soon became known as the field s definitive reference to retain its standing

[top 10 best asbestos removal in milwaukee wi angi](#) - May 01 2022

web oct 9 2022 read real reviews and see ratings for milwaukee wi asbestos removal services for free this list will help you pick the right pro asbestos removal services in milwaukee wi is now angi

5 best asbestos removal companies milwaukee wi homeadvisor - Jun 02 2022

web djk environmental llc flooring vinyl sheet flooring linoleum glue floor tile mastic asbestos abatement boiler dismantlement duct removal thermal pipe wrap mold remediation and 2 more 100 recommended free estimates screened [asbestos q a uw milwaukee pdf smtp ablogtowatch](#) - Aug 16 2023

web asbestos q a uw milwaukee downloaded from smtp ablogtowatch com by guest carmelo sutton the american contractor routledge it is ironic that those whose job it is to save lives often find themselves injured in the course of performing their duties in fact according to the bureau of labor statistics healthcare

[asbestos q a uw milwaukee pdf uniport edu](#) - Jun 14 2023

web asbestos q a uw milwaukee 1 8 downloaded from uniport edu ng on june 5 2023 by guest asbestos q a uw milwaukee recognizing the quirk ways to acquire this book asbestos q a uw milwaukee is additionally useful you have remained in right site to begin getting this info get the asbestos q a uw milwaukee associate that we have the funds for

wisconsin asbestos occupational risks illegal removal - Jul 03 2022

web jun 20 2023 most of the state s asbestos related deaths occur in and around milwaukee the city s paper manufacturing and metal works used asbestos in factory insulation other cities with high mesothelioma diagnoses include

[asbestos q a uw milwaukee download only domainlookup org](#) - Oct 06 2022

web mar 22 2023 intend to download and install the asbestos q a uw milwaukee it is totally simple then since currently we extend the partner to buy and create bargains to download and install asbestos q a uw milwaukee correspondingly simple the summer slide karl alexander 2016

[longman intermediate vocabulary bj thomas pdf](#) - Nov 09 2021

web apr 4 2017 download longman intermediate vocabulary bj thomas pdf interm e d iate v ocab u lary b jthom as ielts4u blogfa com nelson thomas nelsonand

longman intermediate vocabulary bj thomas pdf - Aug 31 2023

web download view longman intermediate vocabulary bj thomas pdf as pdf for free more details words 22 438 pages 96 preview full text interm e d iate v ocab u

thomas b j advanced vocabulary and idiom sciarium - Feb 10 2022

web intermediate vocabulary b j thomas 2003 english vocabulary in use pre intermediate and intermediate with answers stuart redman 1997 02 20 vocabulary in use pre

intermediate vocabulary b j thomas longman copy uniport edu - Mar 14 2022

web may 11 2012 textbook longman 1989 128 p advanced vocabulary and idioms is designed to teach test and practice the vocabulary of efl students at a level leading

intermediate vocabulary b j thomas longman - May 16 2022

web b j thomas longman 1996 english language 84 pages this text contains over 1500 lexical items divided into topic areas with exercises to provide the practice students

intermediate vocabulary by bj thomas pdf document - Jul 30 2023

web nov 30 2015 1 web viewf bj thomas series elementary intermediate and advanced vocabulary the selected words for each level of proficiency were chosen from the

intermediate vocabulary by b j thomas longman pdf pdf - May 28 2023

web intermediate vocabulary by b j thomas longman pdf free download as pdf file pdf or read online for free

intermediate vocabulary b j thomas longman monograf - Aug 19 2022

web may 22 2023 intermediate vocabulary b j thomas longman 1 8 downloaded from uniport edu ng on may 22 2023 by guest intermediate vocabulary b j thomas

elementary vocabulary b j thomas google books - Apr 14 2022

web elementary vocabulary b j thomas 1990 a companion book to intermediate vocabulary and advanced vocabulary and idiom this book is designed for elementary

download longman intermediate vocabulary bj thomas pdf - Apr 26 2023

web download longman intermediate vocabulary bj thomas pdf type pdf date november 2019 size 4 7mb author murat kılıç this document was uploaded by user

pdf b j thomas intermediate vocabulary free download pdf - Jan 24 2023

web oct 1 2020 report longman intermediate vocabulary bj thomas pdf please fill this form we will try to respond as soon as possible your name email reason

intermediate vocabulary b j thomas longman copy uniport edu - Dec 11 2021

web longman intermediate vocabulary bj thomas pdf free download as pdf file pdf text file txt or read online for free

intermediate vocabulary b j thomas 1422 studocu - Nov 21 2022

web advanced vocabulary idiom thomas b j free download borrow and streaming internet archive

intermediate vocabulary b j thomas google books - Mar 26 2023

web b j thomas nelson 1990 english language 96 pages this text contains over 1500 lexical items divided into topic areas with exercises to provide the practice students

[intermediate vocabulary anna s archive](#) - Jun 28 2023

web b j thomas longman elt 1986 we have a new donation method available paypal intermediate vocabulary author b j thomas publisher longman elt edition series

[longman intermediate vocabulary bj thomas pdf](#) - Dec 23 2022

web intermediate vocabulary b j thomas english vocabulary 1422 studocu skip to document homeai questions universityhigh schoolhigh school levels intermediate

intermediate vocabulary b j thomas longman pdf uniport edu - Jul 18 2022

web may 24 2023 elementary vocabulary b j thomas 1990 a companion book to intermediate vocabulary and advanced vocabulary and idiom this book is designed

[intermediate vocabulary b j thomas longman uniport edu](#) - Jan 12 2022

web may 10 2023 intermediate vocabulary b j thomas longman 1 6 downloaded from uniport edu ng on may 10 2023 by guest intermediate vocabulary b j thomas

longman intermediate vocabulary bj thomas pdf - Oct 09 2021

3 thomas bj elementary vocabulary pdf google drive - Sep 19 2022

web book by thomas b j intermediate vocabulary b j thomas 9780175571277 buy intermediate vocabulary by b j thomas online at alibris we have new and used

advanced vocabulary idiom thomas b j archive org - Oct 21 2022

web view details request a review learn more

pdf intermediate vocabulary thomas academia edu - Feb 22 2023

web nov 18 2017 b j thomas intermediate vocabulary november 18 2017 author guanna category tableware elections patient opinion poll voting report this link

intermediate vocabulary b j thomas longman pdf uniport edu - Jun 16 2022

web less latency period to download any of our books subsequent to this one merely said the intermediate vocabulary b j thomas longman is universally compatible in the

database processing kroenke project questions answers - Dec 19 2021

[database processing kroenke project questions answers](#) - Feb 18 2022

web database processing kroenke project questions answers below human resource information systems michael j kavanagh 2017 07 07 human resource information

database processing 11th edition kroenke solution studyres - Jul 06 2023

web question bank database processing 13e chapter introduction the purpose of database is to help people keep track of things answer true diff page ref in introducing ask an

database processing 11e kroenke chapter 1 introduction - Nov 29 2022

web database processing kroenke review questions answers 1 database processing kroenke review questions answers annual review of information science and

database processing kroenke review questions answers - Jun 24 2022

web edition are discussions on more commercial database management systems database processing david m kroenke 2011 07 get straight to the point of database

database processing fundamentals design and - Apr 22 2022

web way to get those all we present database processing kroenke project questions answers and numerous ebook collections from fictions to scientific research in any way

database processing 14e kroenke chapter 2 introduction to - Feb 01 2023

web database processing kroenke review questions answers 3 3 get straight to the point of database processing database processing reflects a new teaching method that

database processing kroenke project questions answers copy - Nov 17 2021

database processing 12th edition kroenke solutions - Oct 09 2023

web using the column characteristics create the project table in the wpc accdb database solutions to project questions 2 54 2 62 are contained in the microsoft access

database processing fundamentals design and - Mar 02 2023

web 29 a database design may be a new systems development project answer true diff 1 page ref 16 19 fig 1 18 30 a database design is rarely a redesign of an existing

database processing kroenke review questions answers pdf - Aug 27 2022

web 2 database processing kroenke project questions answers 2022 12 14 programs for text analytics enabling readers to mine their own text data to uncover information

database processing kroenke solution pdf course hero - Dec 31 2022

web guides you could enjoy now is database processing kroenke project questions answers below ise database system concepts abraham silberschatz 2019 02 28

database processing kroenke review questions answers - Oct 29 2022

web database processing kroenke project questions answers 1 8 downloaded from uniport edu ng on july 20 2023 by guest
database processing kroenke project

database processing kroenke project questions answers - May 24 2022

web database processing kroenke project questions answers 3 3 physical text and mymislab search for isbn 10 0133806898
isbn 13 9780133806892 that package

01 question bank database processing 13e kroenke auer - Apr 03 2023

web the form and report generator applications within access created the forms and reports solution manual for database
processing 15th edition by kroenke full file at

database processing kroenke project questions answers - Mar 22 2022

web 4 database processing kroenke project questions answers 2023 09 23 learning within and beyond the classroom focus on
important themes of ethics security and other

database processing 12th edition kroenke solutions manual issuu - May 04 2023

web database processing 14e kroenke chapter 2 introduction to structured query language 1 business intelligence bi systems
typically store their data in data

database processing kroenke project questions answers raghu - Jan 20 2022

solutions manual for database processing - Sep 08 2023

web database processing fundamentals design and implementation fifteenth edition david m kroenke m kroenke david j auer
western

fifteenth edition database processing - Jun 05 2023

web feb 25 2022 database processing fundamentals design and implementation global edition description test bank with
practice exam questions and their answers

database processing kroenke project questions answers pdf - Jul 26 2022

web feb 25 2022 database processing fundamentals design and implementation kroenke complete test bank exam questions
quizzes updated 2022

database processing kroenke project questions answers elvis - Sep 27 2022

web database processing kroenke review questions answers 1 database processing kroenke review questions answers
systems development database processing

database processing 14th edition textbook solutions - Aug 07 2023

web mar 7 2023 use only the inventory table to answer review questions 2 17 through 2 39 page 96 19 jul 11 corrected in

dbp e12 international edition chapter 2