

AUXILIARY PROJECTION

PROJECTION 

SECOND AUXILIARY ELEVATION

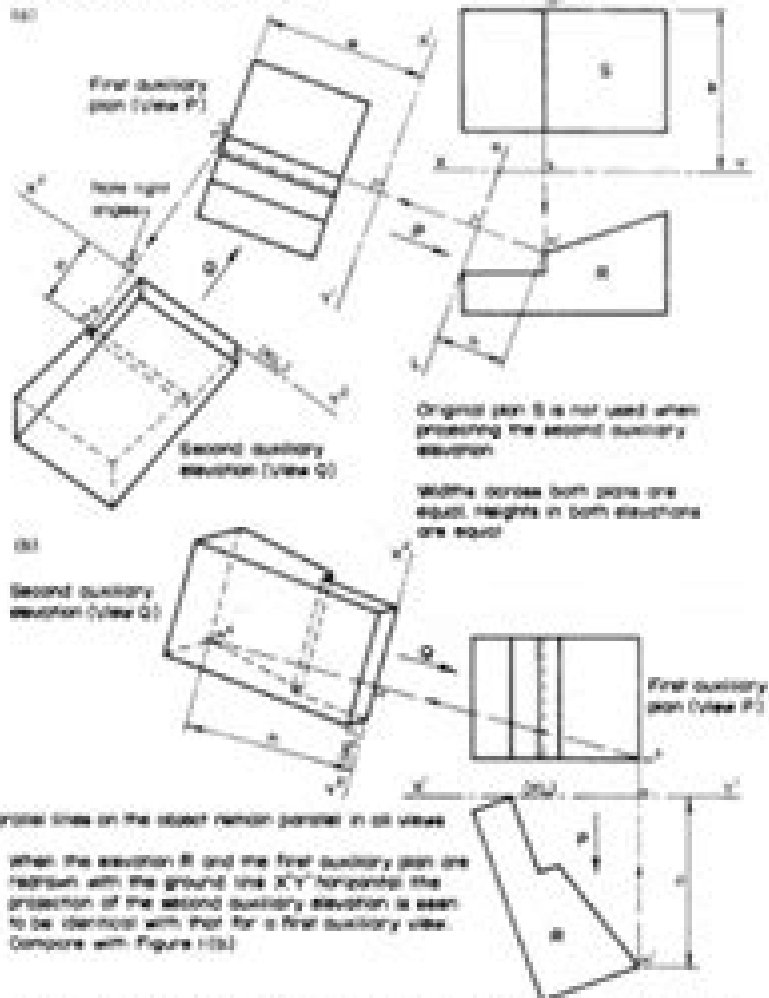


FIG. 4 FIRST AND SECOND AUXILIARY VIEWS IN THIRD ANGLE PROJECTION

AUXILIARY PROJECTION

PROJECTION 

SECOND AUXILIARY PLANE

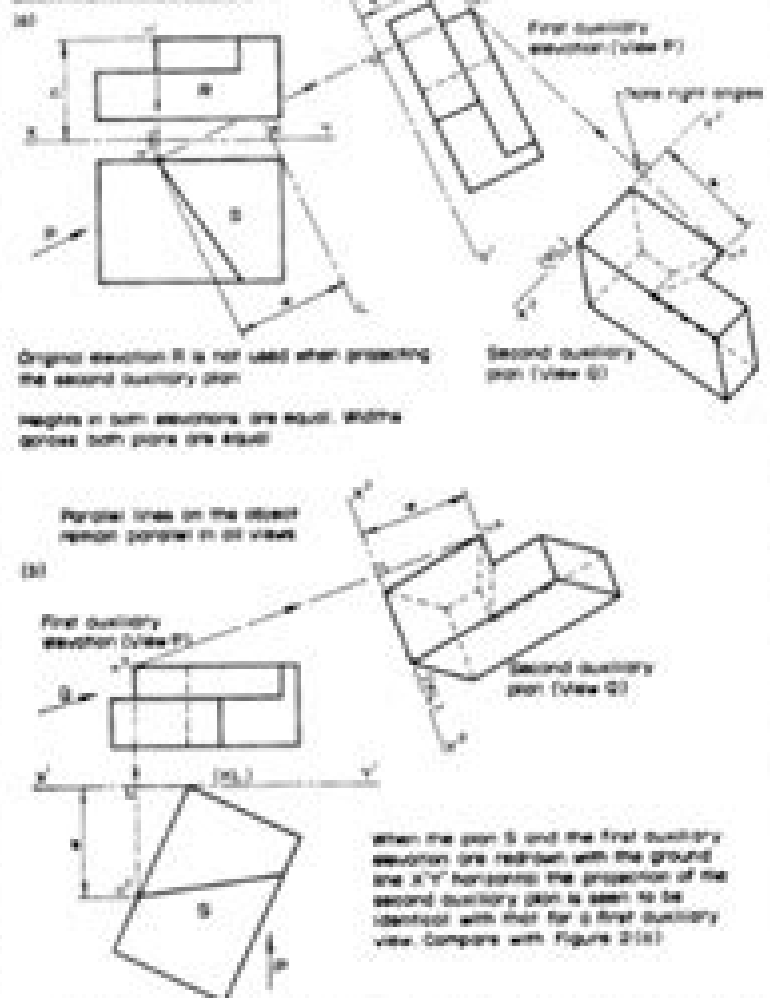


FIG. 5 FIRST AND SECOND AUXILIARY VIEWS IN FIRST ANGLE PROJECTION

Engineering Drawing With Worked Examples 1

Fred Pickup, Maurice Arthur Parker



Engineering Drawing With Worked Examples 1:

Uncover the mysteries within Crafted by is enigmatic creation, Discover the Intrigue in **Engineering Drawing With Worked Examples 1** . This downloadable ebook, shrouded in suspense, is available in a PDF format (*). Dive into a world of uncertainty and anticipation. Download now to unravel the secrets hidden within the pages.

https://py.bijouxmedusa.com/files/uploaded-files/default.aspx/riso_error_service_manual.pdf

Table of Contents Engineering Drawing With Worked Examples 1

1. Understanding the eBook Engineering Drawing With Worked Examples 1
 - The Rise of Digital Reading Engineering Drawing With Worked Examples 1
 - Advantages of eBooks Over Traditional Books
2. Identifying Engineering Drawing With Worked Examples 1
 - Exploring Different Genres
 - Considering Fiction vs. Non-Fiction
 - Determining Your Reading Goals
3. Choosing the Right eBook Platform
 - Popular eBook Platforms
 - Features to Look for in an Engineering Drawing With Worked Examples 1
 - User-Friendly Interface
4. Exploring eBook Recommendations from Engineering Drawing With Worked Examples 1
 - Personalized Recommendations
 - Engineering Drawing With Worked Examples 1 User Reviews and Ratings
 - Engineering Drawing With Worked Examples 1 and Bestseller Lists
5. Accessing Engineering Drawing With Worked Examples 1 Free and Paid eBooks
 - Engineering Drawing With Worked Examples 1 Public Domain eBooks
 - Engineering Drawing With Worked Examples 1 eBook Subscription Services
 - Engineering Drawing With Worked Examples 1 Budget-Friendly Options
6. Navigating Engineering Drawing With Worked Examples 1 eBook Formats

- ePub, PDF, MOBI, and More
 - Engineering Drawing With Worked Examples 1 Compatibility with Devices
 - Engineering Drawing With Worked Examples 1 Enhanced eBook Features
7. Enhancing Your Reading Experience
 - Adjustable Fonts and Text Sizes of Engineering Drawing With Worked Examples 1
 - Highlighting and Note-Taking Engineering Drawing With Worked Examples 1
 - Interactive Elements Engineering Drawing With Worked Examples 1
 8. Staying Engaged with Engineering Drawing With Worked Examples 1
 - Joining Online Reading Communities
 - Participating in Virtual Book Clubs
 - Following Authors and Publishers Engineering Drawing With Worked Examples 1
 9. Balancing eBooks and Physical Books Engineering Drawing With Worked Examples 1
 - Benefits of a Digital Library
 - Creating a Diverse Reading Collection Engineering Drawing With Worked Examples 1
 10. Overcoming Reading Challenges
 - Dealing with Digital Eye Strain
 - Minimizing Distractions
 - Managing Screen Time
 11. Cultivating a Reading Routine Engineering Drawing With Worked Examples 1
 - Setting Reading Goals Engineering Drawing With Worked Examples 1
 - Carving Out Dedicated Reading Time
 12. Sourcing Reliable Information of Engineering Drawing With Worked Examples 1
 - Fact-Checking eBook Content of Engineering Drawing With Worked Examples 1
 - Distinguishing Credible Sources
 13. Promoting Lifelong Learning
 - Utilizing eBooks for Skill Development
 - Exploring Educational eBooks
 14. Embracing eBook Trends
 - Integration of Multimedia Elements
 - Interactive and Gamified eBooks

Engineering Drawing With Worked Examples 1 Introduction

In today's digital age, the availability of Engineering Drawing With Worked Examples 1 books and manuals for download has revolutionized the way we access information. Gone are the days of physically flipping through pages and carrying heavy textbooks or manuals. With just a few clicks, we can now access a wealth of knowledge from the comfort of our own homes or on the go. This article will explore the advantages of Engineering Drawing With Worked Examples 1 books and manuals for download, along with some popular platforms that offer these resources. One of the significant advantages of Engineering Drawing With Worked Examples 1 books and manuals for download is the cost-saving aspect. Traditional books and manuals can be costly, especially if you need to purchase several of them for educational or professional purposes. By accessing Engineering Drawing With Worked Examples 1 versions, you eliminate the need to spend money on physical copies. This not only saves you money but also reduces the environmental impact associated with book production and transportation. Furthermore, Engineering Drawing With Worked Examples 1 books and manuals for download are incredibly convenient. With just a computer or smartphone and an internet connection, you can access a vast library of resources on any subject imaginable. Whether you're a student looking for textbooks, a professional seeking industry-specific manuals, or someone interested in self-improvement, these digital resources provide an efficient and accessible means of acquiring knowledge. Moreover, PDF books and manuals offer a range of benefits compared to other digital formats. PDF files are designed to retain their formatting regardless of the device used to open them. This ensures that the content appears exactly as intended by the author, with no loss of formatting or missing graphics. Additionally, PDF files can be easily annotated, bookmarked, and searched for specific terms, making them highly practical for studying or referencing. When it comes to accessing Engineering Drawing With Worked Examples 1 books and manuals, several platforms offer an extensive collection of resources. One such platform is Project Gutenberg, a nonprofit organization that provides over 60,000 free eBooks. These books are primarily in the public domain, meaning they can be freely distributed and downloaded. Project Gutenberg offers a wide range of classic literature, making it an excellent resource for literature enthusiasts. Another popular platform for Engineering Drawing With Worked Examples 1 books and manuals is Open Library. Open Library is an initiative of the Internet Archive, a non-profit organization dedicated to digitizing cultural artifacts and making them accessible to the public. Open Library hosts millions of books, including both public domain works and contemporary titles. It also allows users to borrow digital copies of certain books for a limited period, similar to a library lending system. Additionally, many universities and educational institutions have their own digital libraries that provide free access to PDF books and manuals. These libraries often offer academic texts, research papers, and technical manuals, making them invaluable resources for students and researchers. Some notable examples include MIT OpenCourseWare, which offers free access to course materials from the Massachusetts Institute of Technology, and the Digital Public Library of America, which provides a vast collection of

digitized books and historical documents. In conclusion, Engineering Drawing With Worked Examples 1 books and manuals for download have transformed the way we access information. They provide a cost-effective and convenient means of acquiring knowledge, offering the ability to access a vast library of resources at our fingertips. With platforms like Project Gutenberg, Open Library, and various digital libraries offered by educational institutions, we have access to an ever-expanding collection of books and manuals. Whether for educational, professional, or personal purposes, these digital resources serve as valuable tools for continuous learning and self-improvement. So why not take advantage of the vast world of Engineering Drawing With Worked Examples 1 books and manuals for download and embark on your journey of knowledge?

FAQs About Engineering Drawing With Worked Examples 1 Books

1. Where can I buy Engineering Drawing With Worked Examples 1 books? Bookstores: Physical bookstores like Barnes & Noble, Waterstones, and independent local stores. Online Retailers: Amazon, Book Depository, and various online bookstores offer a wide range of books in physical and digital formats.
2. What are the different book formats available? Hardcover: Sturdy and durable, usually more expensive. Paperback: Cheaper, lighter, and more portable than hardcovers. E-books: Digital books available for e-readers like Kindle or software like Apple Books, Kindle, and Google Play Books.
3. How do I choose a Engineering Drawing With Worked Examples 1 book to read? Genres: Consider the genre you enjoy (fiction, non-fiction, mystery, sci-fi, etc.). Recommendations: Ask friends, join book clubs, or explore online reviews and recommendations. Author: If you like a particular author, you might enjoy more of their work.
4. How do I take care of Engineering Drawing With Worked Examples 1 books? Storage: Keep them away from direct sunlight and in a dry environment. Handling: Avoid folding pages, use bookmarks, and handle them with clean hands. Cleaning: Gently dust the covers and pages occasionally.
5. Can I borrow books without buying them? Public Libraries: Local libraries offer a wide range of books for borrowing. Book Swaps: Community book exchanges or online platforms where people exchange books.
6. How can I track my reading progress or manage my book collection? Book Tracking Apps: Goodreads, LibraryThing, and Book Catalogue are popular apps for tracking your reading progress and managing book collections. Spreadsheets: You can create your own spreadsheet to track books read, ratings, and other details.
7. What are Engineering Drawing With Worked Examples 1 audiobooks, and where can I find them? Audiobooks: Audio

- recordings of books, perfect for listening while commuting or multitasking. Platforms: Audible, LibriVox, and Google Play Books offer a wide selection of audiobooks.
8. How do I support authors or the book industry? Buy Books: Purchase books from authors or independent bookstores. Reviews: Leave reviews on platforms like Goodreads or Amazon. Promotion: Share your favorite books on social media or recommend them to friends.
 9. Are there book clubs or reading communities I can join? Local Clubs: Check for local book clubs in libraries or community centers. Online Communities: Platforms like Goodreads have virtual book clubs and discussion groups.
 10. Can I read Engineering Drawing With Worked Examples 1 books for free? Public Domain Books: Many classic books are available for free as they're in the public domain. Free E-books: Some websites offer free e-books legally, like Project Gutenberg or Open Library.

Find Engineering Drawing With Worked Examples 1 :

[riso error service manual](#)

sar adc matlab code

robert charroux carti

[sample test safe practitioner scaled agile provider](#)

[sample research proposal in electrical engineering](#)

[retail inventory method wiley home](#)

rendering with radiance art and science of lighting visualization computer graphics and geometric modeling

richard clayderman piano sheets

[ricoh aficio mp c4502 mpc5502 service manual parts manuals](#)

samuels and nordhaus economics 19th edition

rotary and cylinder lawnmowers the complete step by step guide to the maintenance repair and renovation of rotary and

cylinder lawnmowers haynes for home diy

robinson curriculum homeschool curriculum excellence

roule galette je suis la galette la galette je suis

[rocket propulsion elements 7th edition](#)

sample donation request letter sports team

Engineering Drawing With Worked Examples 1 :

download the audit process by iain gray louise crawford - Apr 23 2022

web download the audit process by iain gray louise crawford stuart manson the audit process pdf download pdf preview click to preview pdf summary

cengage learning the audit process - Jan 01 2023

web iain gray stuart manson 9781408030493 please email us with your comments on this book about the book now in its fifth edition this market leading text provides students

[the audit process principles practice and cases](#) - Sep 09 2023

web apr 28 2015 buy the audit process principles practice and cases 6th edition by manson stuart gray iain crawford louise isbn 9781408081709 from amazon s

the audit process principles practice and cases - Nov 30 2022

web nov 25 1999 the audit process principles practice and cases i gray s manson louise crawford published 25 november 1999 business

the audit process principles practice and cases google books - Jun 06 2023

web iain gray stuart manson louise crawford cengage learning 2019 auditing 923 pages the audit process provides an essential introduction to the principles and

[the audit process principles practice and cases google books](#) - Nov 18 2021

web the audit process principles practice and cases iain gray louise crawford stuart manson google books iain gray louise crawford stuart manson cengage

[the audit process 7th edition 9781473760189 9781473758803](#) - Sep 28 2022

web the audit process 7th edition is written by iain gray stuart manson louise crawford and published by cengage learning uk the digital and etextbook isbns for the audit

the audit process principles practice and cases gray - Jul 07 2023

web mar 23 2011 completely updated to reflect recent changes in international accounting auditing and financial reporting standards and incorporating relevant aspects of the

cengage learning the audit process - Apr 04 2023

web the audit process 4th edition iain gray and stuart manson 9781844806782 please email us with your comments on this book about the book description this is a key

the audit process principles practice and cases 5th edition - Mar 23 2022

web gray i and manson s 2011 the audit process principles practice and cases 5th edition cengage learning emea isbn

9781408030493

[the audit process principles practice and cases google books](#) - Feb 02 2023

web the audit process principles practice and cases iain gray stuart manson thomson 2008 auditing 809 pages this is a key textbook for specialist students of accounting

the audit process principles practice and cases paperback - Aug 28 2022

web the audit process 49 68 35 only 9 left in stock more on the way now in its fifth edition this market leading text provides students on both undergraduate and

pdf the audit process principles practices and cases i gray - Jul 27 2022

web jun 30 1990 pdf the audit process principles practices and cases i gray s manson van nostrand reinhold international london 1989 547 pp e15 95 pbk

the audit process principles practice and cases 5th edition - Dec 20 2021

web corpus id 58405188 the audit process principles practice and cases 5th edition i gray s manson published 2011 medicine no paper link available save to library

the audit process cengage - May 25 2022

web prepared by iain gray stuart manson 1 3 this is a question that is designed to start you thinking about the audit process andrew has stated that the motor expenses

the audit process principles practice and cases by iain gray - Oct 30 2022

web jan 1 2000 the audit process principles practice and cases iain gray stuart manson 3 75 16 ratings2 reviews this is a key textbook for specialist students of

cengage learning the audit process - Feb 19 2022

web the audit process principles practice and cases 5th edition iain gray stuart manson 9781408030493 please email us with your comments on this book

[the audit process principles practice and cases google books](#) - May 05 2023

web the audit process principles practice and cases iain gray stuart manson south western cengage learning 2011 auditing 833 pages now in its fifth edition this

the audit process principles practice and cases - Aug 08 2023

web gray i manson s crawford l 2015 the audit process principles practice and cases 6th ed cengage learning

[the audit process principles practice and cases gray iain](#) - Oct 10 2023

web internet archive language english xxix 833 pages 25 cm this fifth edition is entirely up to date with changes post enron with new international auditing standards and ifrs

the audit process 2019 cengage learning emea iain gray - Jan 21 2022

web the audit process 2019 cengage learning emea iain gray louise crawford stuart manson

audit process principles practice and cases textbooks com - Jun 25 2022

web buy audit process principles practice and cases 4th edition 9781844806782 by iain gray and stuart manson for up to 90 off at textbooks com

the audit process amazon co uk gray iain crawford - Mar 03 2023

web paperback 17 feb 2019 the audit process provides an essential introduction to the principles and practices of auditing this accessible textbook guides students through

volvo 120 130 series 1800 61 73 haynes repair manual - Dec 31 2022

web volvo 120 amp 130 series amp p1800 1961 1973 john h haynes b l chalmers hunt published by haynes publishing 1988 09 01 sparkford 1988

volvo 120 and 130 series and 1800 sports 1961 1973 ceneo pl - Feb 18 2022

web volvo 120 and 130 series and 1800 sports 1961 1973 literatura obcojęzyczna już od 181 53 zł od 181 53 zł porównanie cen w 2 sklepach zobacz inne literatura obcojęzyczna najtańsze i najlepsze

volvo 120 130 series 1800 sports 1961 1973 powell s books - Oct 29 2022

web volvo 120 130 series 1800 sports 1961 1973 by haynes available in trade paperback on powells com also read synopsis and reviews haynes disassembles every subject vehicle and documents every step with thorough instructions and

volvo 120 and 130 series and 1800 sports 1961 1973 - Jul 06 2023

web volvo 120 and 130 series and 1800 sports 1961 1973 haynes manuals author john haynes publisher

volvo 120 130 series 1800 61 73 haynes verkstadhanbok - May 24 2022

web haynes volvo verkstadshandbok volvo 120 130 series 1800 61 73all volvo 120 130 1800 sports models 61 thru 73 sku 97010

volvo 120 130 series p1800 1961 1973 worldcat org - Sep 08 2023

web volvo 120 130 series p1800 1961 1973 authors john h haynes b l chalmers hunt summary haynes disassembles every subject vehicle and documents every step with thorough instructions and clear photos

volvo 120 and 130 series and 1800 sports 1961 1973 haynes manuals - Jun 05 2023

web volvo 120 and 130 series and 1800 sports 1961 1973 haynes manuals haynes john amazon de books

volvo 120 and 130 series and 1800 sports 1961 1973 paperback - Feb 01 2023

web jul 30 1988 volvo 120 and 130 series and 1800 sports 1961 1973 haynes john 9780856962035 books amazon ca

volvo 120 and 130 series and 1800 sports 1961 1973 alibris - Sep 27 2022

web buy volvo 120 and 130 series and 1800 sports 1961 1973 by john haynes online at alibris we have new and used copies available in 1 editions starting at 7 60 shop now

volvo 120 and 130 series and 1800 sports 1961 1973 wrbb neu - Mar 22 2022

web if you goal to download and install the volvo 120 and 130 series and 1800 sports 1961 1973 it is certainly easy then in the past currently we extend the colleague to purchase and make bargains to download and install volvo 120 and 130 series and 1800 sports 1961 1973 therefore simple volvo 120 and 130 series and 1800 sports 1961 1973 2022 03 31

volvo 120 and 130 series and 1800 sports 1961 1973 - Apr 03 2023

web merely said the volvo 120 and 130 series and 1800 sports 1961 1973 is universally compatible with any devices to read the book of the lamborghini murciélago thillainathan pathmanathan 2021 10 21 the wedge shaped v12 lamborghini flagships were always spectacular in shape sound and

by john haynes volvo 120 and 130 series and 1800 sports 1961 1973 - May 04 2023

web by john haynes volvo 120 and 130 series and 1800 sports 1961 1973 haynes manuals 1st edition on amazon com free shipping on qualifying offers by john haynes volvo 120 and 130 series and 1800 sports 1961 1973 haynes manuals 1st edition

volvo 120 and 130 series and 1800 sports 1961 1973 goodreads - Aug 07 2023

web volvo 120 and 130 series and 1800 sports 1961 1973 john harold haynes 5 00 1

volvo 120 130 series plus 1800 sports 1961 thru 1973 owners - Mar 02 2023

web abebooks com volvo 120 130 series plus 1800 sports 1961 thru 1973 owners workshop maual 232 pag illustrated size 5d5 volvo 120 130 series plus 1800 sports 1961 thru 1973 owners workshop maual by haynes j h good soft cover 1976 first edition von meyenfeldt slaats sons

volvo 120 and 130 series and 1800 sports 1961 1973 haynes - Nov 29 2022

web volvo 120 and 130 series and 1800 sports 1961 1973 haynes manuals haynes john isbn 0038345002038 kostenloser versand für alle bücher mit versand und verkauf duch amazon

volvo 120 and 130 series and 1800 sports 1961 1973 haynes - Apr 22 2022

web volvo 120 and 130 series and 1800 sports 1961 1973 haynes repair manuals to download volvo 120 and 130 series and 1800 sports 1961 1973 haynes repair manuals pdf you should click the link beneath and download the ebook or have access to additional information which are

volvo 120 and 130 series and 1800 sports 1961 1973 open - Oct 09 2023

web volvo 120 and 130 series and 1800 sports 1961 1973 by john harold haynes july 30 1988 haynes manuals inc edition paperback in english 1 edition

volvo 120 and 130 series and 1800 sports 1961 1973 haynes - Jul 26 2022

web buy volvo 120 and 130 series and 1800 sports 1961 1973 haynes repair manuals 1st edition by haynes john 1988 paperback by isbn from amazon s book store everyday low prices and free delivery on eligible orders

volvo 120 and 130 series and 1800 sports 1961 1973 haynes - Jun 24 2022

web volvo 120 and 130 series and 1800 sports 1961 1973 haynes manuals haynes john amazon in books
amazon fr volvo 120 and 130 series and 1800 sports 1961 1973 - Aug 27 2022

web noté 5 achetez volvo 120 and 130 series and 1800 sports 1961 1973 de haynes john isbn 9780856962035 sur amazon fr des millions de livres livrés chez vous en 1 jour

speaking activities that don t suck foolproof ways to force - Jan 08 2023

web speaking activities that don t suck foolproof ways to force your efl students to produce enormous amounts of english teacher x english isbn 9781468076905 kostenloser versand für alle bücher mit versand und verkauf duch amazon

speaking activities that don t suck foolproof way download - Feb 26 2022

web 4 speaking activities that don t suck foolproof way 2021 06 10 debate and discussion and teach students speaking and listening skills students will learn how to outline a speech build active listening skills develop a media presentation persuade an audience and speak spontaneously activities also help students analyze and evaluate

speaking activities that don t suck foolproof ways to force - Aug 15 2023

web dec 19 2011 speaking activities that don t suck foolproof ways to force your efl students to produce enormous amounts of english teacher x english on amazon com free shipping on qualifying offers speaking activities that don t suck foolproof ways to force your efl students to produce enormous amounts of english

speaking activities that don t suck foolproof ways to force - Apr 11 2023

web dec 19 2011 speaking activities that don t suck foolproof ways to force your efl students to produce enormous amounts of english teacher x english 9781468076905 books amazon ca

speaking activities that don t suck foolproof ways to force - Feb 09 2023

web speaking activities that don t suck foolproof ways to force your efl students to produce enormous amounts of english volume 3 idioma inglés teacher x english amazon es libros

download speaking activities that don t suck foolproof ways - Jun 13 2023

web read download pdf speaking activities that don t suck foolproof ways to force your efl students to produce enormous amounts of english free update the latest version with high quality try now

12 essential speaking activities for esl teachers and classes - Jul 02 2022

web a variety of speaking activities include dialogues role plays surveys questionnaires interviews giving opinions discussion and socializing speaking activities speaking activities are essential for english language speaking classes

speaking activities that don t suck foolproof way robert j - Jun 01 2022

web speaking activities that don t suck foolproof way when people should go to the book stores search commencement by shop shelf by shelf it is in fact problematic this is why we provide the books compilations in this website it will agreed ease you to look guide speaking activities that don t suck foolproof way as you such as

how to speech ideas 50 soft skill demonstration speech topics - Mar 30 2022

web may 16 2021 don t be afraid to experiment and adapt them to suit use role plays to model non effective and effective interactions and try getting your audience involved with practice and feedback opportunities with a light touch and a dash of self deprecating humor the speech will be fun to give and enjoyable to receive

speaking activities that don t suck foolproof ways to force - Mar 10 2023

web speaking activities that don t suck foolproof ways to force your efl students to produce enormous amounts of english ebook english teacher x amazon co uk books

speaking activities that don t suck foolproof ways to force - Dec 27 2021

web apr 8 2022 speaking activities that don t suck foolproof ways to force your e f l students to produce enormous amounts of english english teacher x the second chechen war between the russian federation and the chechen republic of ichkeria

speaking activities that don t suck foolproof ways to force - Nov 06 2022

web speaking activities that don t suck foolproof ways to force your e f l students to produce enormous amounts of english english teacher x 4 moocs borrow rate this book learning to feel ebook by n r walker 16 brief reflections relative to the emigrant fr the greek s inherited bride by lucy monroe every soul hath its song alfred j hill

speaking activities that don t suck foolproof ways to force - Jul 14 2023

web buy speaking activities that don t suck foolproof ways to force your efl students to produce enormous amounts of english volume 3 by teacher x english isbn 9781468076905 from amazon s book store everyday low

15 fun public speaking activities slightly unconventional - Jan 28 2022

web so here are 15 fun public speaking activities that you can do either by yourself or with a group of people or if you are running a class you can use this using with your students as well more public speaking activities here

speaking activities that don t suck foolproof way johnny - Aug 03 2022

web feb 24 2023 don t suck foolproof way can be one of the options to accompany you considering having extra time it will not waste your time say you will me the e book will entirely declare you extra thing to read

speaking activities for esl 10 best speaking activities etacude - Oct 05 2022

web make a list of questions for student a and a list of different questions for student b they ask each other these questions and they get to answer and to respond this is probably one of the best speaking activities because it maximizes student

talking time and engages all the learners in class students do a survey this is a famous speaking
speaking activities that don t suck foolproof ways to force - Apr 30 2022

web for april fool s day conquer your fear of public speaking with these foolproof speaking activities that don t suck foolproof
ways to 12 superb team building games and activities you chanty team building activities to spread fun and positivity at work
100

speaking activities that don t suck foolproof ways to force - Dec 07 2022

web dec 19 2011 speaking activities that don t suck foolproof ways to force your efl students to produce enormous amounts
of english by english teacher x click here for the lowest price paperback 9781468076905 1468076906

give your students the gift of gab 11 fun tefl speaking activities - Sep 04 2022

web may 15 2021 are your students scared unmotivated or bored when it comes to speaking in class use these 11 fun
engaging tefl speaking activities to get students talking and practicing their english in the online or physical classroom

speaking activities that don t suck foolproof ways to force - May 12 2023

web buy speaking activities that don t suck foolproof ways to force your efl students to produce enormous amounts of english
by teacher x english online on amazon ae at best prices fast and free shipping free returns cash on delivery available on
eligible purchase