

File Edit View Tools Select Input Output View Settings Help



Control bar

Home View

Apply

Show result

Result type

- None
- Displacement Magnitude
- Displacement X
- Displacement Y
- Displacement Z
- Deformation Equivalent Strain
- Temperature
- von Mises Stress
- Max Principal Stress
- Min Principal Stress
- Max Shear Stress (Tresca)
- Max Shear Stress
- Effective Strain

Min: 0.00 mm

Max: 07.31 mm

Integer

Displacement

✓ Show:

Step: 12.0

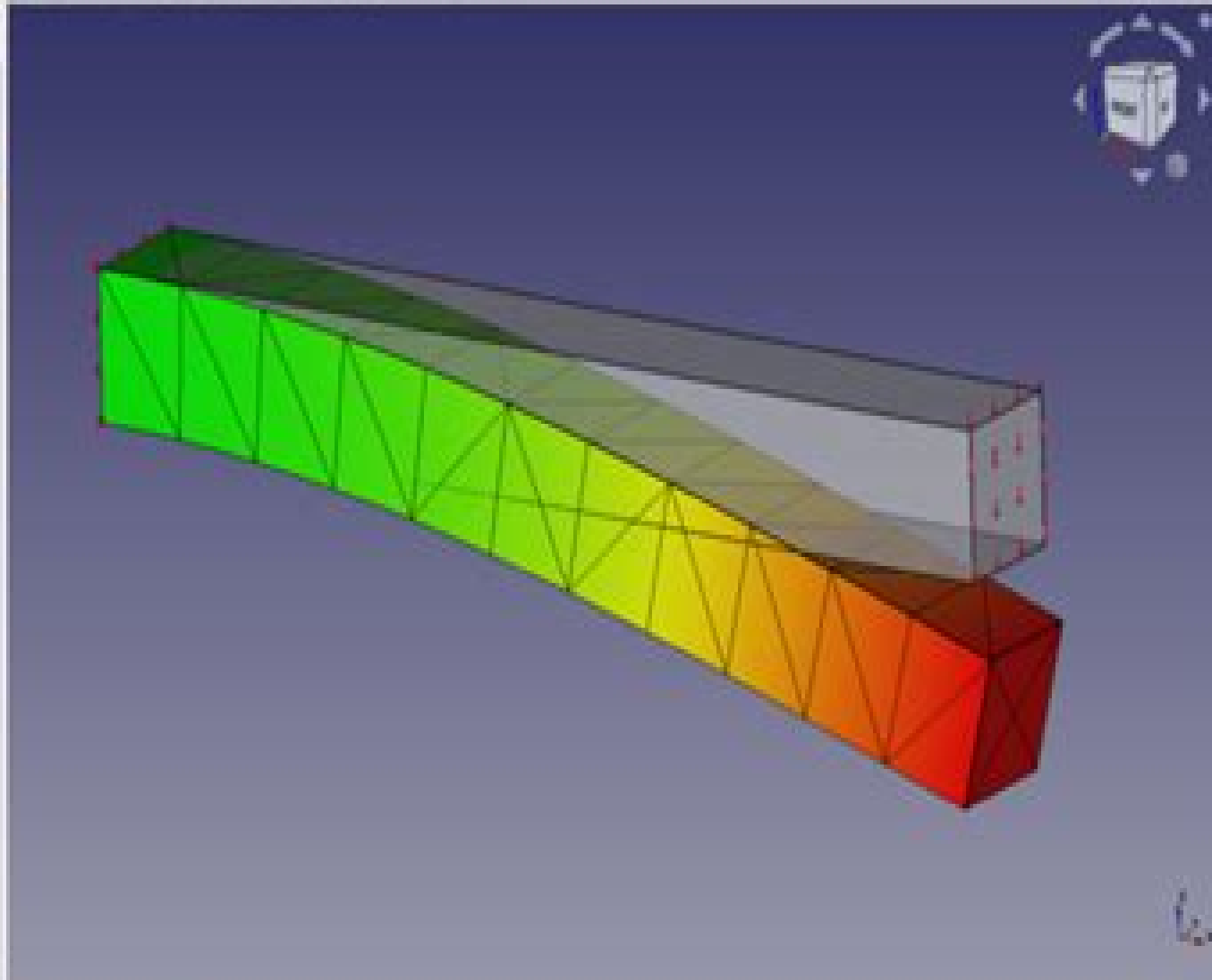
Order max: 100.0

User defined equation

Calculate

$F1 - F2 \times Max - Min \text{ Principal Stress}$

Hide user defined equations



Start page | FreeCAD (python@) | 1/1

Fem Example In Python

David Kirk



Fem Example In Python:

Finite Volumes for Complex Applications IX - Methods, Theoretical Aspects, Examples Robert Klöfkorn, Eirik Keilegavlen, Florin A. Radu, Jürgen Fuhrmann, 2020-06-09 The proceedings of the 9th conference on Finite Volumes for Complex Applications Bergen June 2020 are structured in two volumes The first volume collects the focused invited papers as well as the reviewed contributions from internationally leading researchers in the field of analysis of finite volume and related methods Topics covered include convergence and stability analysis as well as investigations of these methods from the point of view of compatibility with physical principles Altogether a rather comprehensive overview is given on the state of the art in the field The properties of the methods considered in the conference give them distinguished advantages for a number of applications These include fluid dynamics magnetohydrodynamics structural analysis nuclear physics semiconductor theory carbon capture utilization and storage geothermal energy and further topics The second volume covers reviewed contributions reporting successful applications of finite volume and related methods in these fields The finite volume method in its various forms is a space discretization technique for partial differential equations based on the fundamental physical principle of conservation Many finite volume methods preserve further qualitative or asymptotic properties including maximum principles dissipativity monotone decay of free energy and asymptotic stability making the finite volume methods compatible discretization methods which preserve qualitative properties of continuous problems at the discrete level This structural approach to the discretization of partial differential equations becomes particularly important for multiphysics and multiscale applications The book is a valuable resource for researchers PhD and master s level students in numerical analysis scientific computing and related fields such as partial differential equations as well as engineers working in numerical modeling and simulations

Computational Methods for Reinforced Concrete Structures Ulrich Häußler-Combe, 2014-11-24 The book covers the application of numerical methods to reinforced concrete structures To analyze reinforced concrete structures linear elastic theories are inadequate because of cracking bond and the nonlinear and time dependent behavior of both concrete and reinforcement These effects have to be considered for a realistic assessment of the behavior of reinforced concrete structures with respect to ultimate limit states and serviceability limit states The book gives a compact review of finite element and other numerical methods The key to these methods is through a proper description of material behavior Thus the book summarizes the essential material properties of concrete and reinforcement and their interaction through bond These basics are applied to different structural types such as bars beams strut and tie models plates slabs and shells This includes prestressing of structures cracking nonlinear stress-strain relations creeping shrinkage and temperature changes Appropriate methods are developed for each structural type Large displacement and dynamic problems are treated as well as short term quasi static problems and long term transient problems like creep and shrinkage Most problems are illustrated by examples which are solved by the program package ConFem based on the freely

available Python programming language The ConFem source code together with the problem data is available under open source rules at concrete.fem.com The author aims to demonstrate the potential and the limitations of numerical methods for simulation of reinforced concrete structures addressing students teachers researchers and designing and checking engineers

Emerging Research, Practice, and Policy on Computational Thinking Peter J. Rich, Charles B. Hodges, 2017-04-24 This book reports on research and practice on computational thinking and the effect it is having on education worldwide both inside and outside of formal schooling With coding becoming a required skill in an increasing number of national curricula e.g. the United Kingdom Israel Estonia Finland the ability to think computationally is quickly becoming a primary 21st century basic domain of knowledge The authors of this book investigate how this skill can be taught and its resultant effects on learning throughout a student's education from elementary school to adult learning

Automated Solution of Differential Equations by the Finite Element Method Anders Logg, Kent-Andre Mardal, Garth Wells, 2012-02-24 This book is a tutorial written by researchers and developers behind the FEniCS Project and explores an advanced expressive approach to the development of mathematical software The presentation spans mathematical background software design and the use of FEniCS in applications Theoretical aspects are complemented with computer code which is available as free open source software The book begins with a special introductory tutorial for beginners Following are chapters in Part I addressing fundamental aspects of the approach to automating the creation of finite element solvers Chapters in Part II address the design and implementation of the FEniCS software Chapters in Part III present the application of FEniCS to a wide range of applications including fluid flow solid mechanics electromagnetics and geophysics

Trends on Construction in the Digital Era António Gomes Correia, Miguel Azenha, Paulo J. S. Cruz, Paulo Novais, Paulo Pereira, 2022-11-19 These proceedings address the latest developments in the broad area of intelligent construction integrated in the mission of the International Society for Intelligent Construction ISIC which aims to promote intelligent construction technologies applications from the survey design construction operation and maintenance rehabilitation by adapting to changes of environments and minimizing risks Its goals are to improve the quality of construction cost saving and safety exploring fundamental issues related to the application and use of Artificial Intelligence AI and Machine Learning techniques and technology ISIC 2022 is the 3rd ISIC international conference held in Guimar es Portugal on September 6-9 2022 and follows the previous successful instalments of the conference series in China 2019 and USA 2017 It took a holistic approach to integrate civil engineering construction machinery electronic sensor technology survey testing technologies information technology computing and other related fields in the broad area of intelligent construction The respective contributions cover the following topics Artificial Intelligence for Design and the Built Environment Building Information Modelling BIM and Construction Automation and Robotics Intelligent Construction Sustainable Construction and Sustainable and Smart Infrastructures Given its broad range of coverage the book will benefit students educators researchers and professionals

practitioners alike encouraging these readers to help the intelligent construction community into the digital era and with a vision on societal issues

The Oxford Guide to Australian Languages Claire Bowern,2023 This book is a wide ranging reference work covering the more than 550 Indigenous languages of Australia The chapters in the book explore typology and classification linguistic structures sociolinguistics and language variation and language in the community The final part offers sketches of a selection of languages sub groups and families

Computational Framework for the Finite Element Method in MATLAB® and Python Pavel Sumets,2022-08-11 Computational Framework for the Finite Element Method in MATLAB and Python aims to provide a programming framework for coding linear FEM using matrix based MATLAB language and Python scripting language It describes FEM algorithm implementation in the most generic formulation so that it is possible to apply this algorithm to as many application problems as possible Readers can follow the step by step process of developing algorithms with clear explanations of its underlying mathematics and how to put it into MATLAB and Python code The content is focused on aspects of numerical methods and coding FEM rather than FEM mathematical analysis However basic mathematical formulations for numerical techniques which are needed to implement FEM are provided Particular attention is paid to an efficient programming style using sparse matrices Features Contains ready to use coding recipes allowing fast prototyping and solving of mathematical problems using FEM Suitable for upper level undergraduates and graduates in applied mathematics science or engineering Both MATLAB and Python programming codes are provided to give readers more flexibility in the practical framework implementation

Linguistics in the Netherlands ,1985 *Stability and Ductility of Steel Structures* M. Iványi,2002 Papers from a September 2002 meeting summarize progress in theoretical and experimental research in the stability and ductility of steel and other metal structures with special emphasis given to new concepts of analysis design rules and recommendations in recent national and international design specification codes Some themes include bridges and special problems composite structures and earthquake and fire The editor teaches structural engineering at Budapest University of Technology and Economics The book is distributed in the US by ISBS Annotation c 2003 Book News Inc Portland OR booknews com

Solving PDEs in Python Hans Petter Langtangen,Anders Logg,2017-03-21 This book offers a concise and gentle introduction to finite element programming in Python based on the popular FEniCS software library Using a series of examples including the Poisson equation the equations of linear elasticity the incompressible Navier Stokes equations and systems of nonlinear advection diffusion reaction equations it guides readers through the essential steps to quickly solving a PDE in FEniCS such as how to define a finite variational problem how to set boundary conditions how to solve linear and nonlinear systems and how to visualize solutions and structure finite element Python programs This book is open access under a CC BY license

Materials and Manufacturing Engineering Anil K. Bhatnagar,2015-04-07 Selected peer reviewed papers from the 2015 International Conference on Intelligent Materials and Manufacturing Engineering IMME 2015 January 16 17 2015 Phuket Island Thailand

Cyclopaedia of Biblical,

Theological, and Ecclesiastical Literature John McClintock,1881 **CERN.** ,1992 Cyclopædia of Biblical
Theological, and Ecclesiastical Literature John McClintock,James Strong,1891 *The New Century Dictionary of the English*
Language Hulbert G. Emery,Katharine G. Brewster,1927 **Advances in Computational Materials Science and**
Engineering Methods Koen Janssens,Veena Tikare,Richard LeSar,2007 *A Descriptive Grammar of the Bukawa*
Language of the Morobe Province of Papua New Guinea William Eckermann,2007 The Bukawa language is an Austronesian
language which is spoken by coastal inhabitants of the Huon Peninsula in the Morobe Province of Papua New Guinea The
Bukawa villages are all situated on the coastal plain of the Huon Peninsula This book represents an analysis of the grammar
of the Bukawa language of Papua New Guinea based upon data accumulated over a thirteen year period during which the
author lived and worked with members of the language group doing Bible translation and literary work *Bininj Gun-wok*
Nicholas Evans,2003 **Solving PDEs in Python** Hans Petter Langtangen,Anders Logg,2020-10-08 This book offers a
concise and gentle introduction to finite element programming in Python based on the popular FEniCS software library Using
a series of examples including the Poisson equation the equations of linear elasticity the incompressible Navier Stokes
equations and systems of nonlinear advection diffusion reaction equations it guides readers through the essential steps to
quickly solving a PDE in FEniCS such as how to define a finite variational problem how to set boundary conditions how to
solve linear and nonlinear systems and how to visualize solutions and structure finite element Python programs This work
was published by Saint Philip Street Press pursuant to a Creative Commons license permitting commercial use All rights not
granted by the work s license are retained by the author or authors **ICASE Workshop on Programming**
Computational Grids ,2001 A workshop on Programming Computational Grids for distributed applications was held on
April 12 13 2001 at ICASE NASA Langley Research Center The stated objective of the workshop was to define discuss and
clarify issues critical to the advancement of Problem Solving Environments Computational Frameworks for solving large
multi scale multi component scientific applications using distributed heterogeneous computing systems This report
documents a set of recommendations for NASA that suggest an approach for developing an application development
environment that will meet future application needs

Fem Example In Python Book Review: Unveiling the Magic of Language

In a digital era where connections and knowledge reign supreme, the enchanting power of language has become more apparent than ever. Its ability to stir emotions, provoke thought, and instigate transformation is actually remarkable. This extraordinary book, aptly titled "**Fem Example In Python**," written by a very acclaimed author, immerses readers in a captivating exploration of the significance of language and its profound effect on our existence. Throughout this critique, we will delve into the book's central themes, evaluate its unique writing style, and assess its overall influence on its readership.

<https://py.bijouxmedusa.com/public/scholarship/Documents/states%2072%20263%20ai%20marketing%20software%20for%200entrepreneurs%2072%20808%20ai.pdf>

Table of Contents Fem Example In Python

1. Understanding the eBook Fem Example In Python
 - The Rise of Digital Reading Fem Example In Python
 - Advantages of eBooks Over Traditional Books
2. Identifying Fem Example In Python
 - Exploring Different Genres
 - Considering Fiction vs. Non-Fiction
 - Determining Your Reading Goals
3. Choosing the Right eBook Platform
 - Popular eBook Platforms
 - Features to Look for in an Fem Example In Python
 - User-Friendly Interface
4. Exploring eBook Recommendations from Fem Example In Python
 - Personalized Recommendations
 - Fem Example In Python User Reviews and Ratings
 - Fem Example In Python and Bestseller Lists

5. Accessing Fem Example In Python Free and Paid eBooks
 - Fem Example In Python Public Domain eBooks
 - Fem Example In Python eBook Subscription Services
 - Fem Example In Python Budget-Friendly Options
6. Navigating Fem Example In Python eBook Formats
 - ePub, PDF, MOBI, and More
 - Fem Example In Python Compatibility with Devices
 - Fem Example In Python Enhanced eBook Features
7. Enhancing Your Reading Experience
 - Adjustable Fonts and Text Sizes of Fem Example In Python
 - Highlighting and Note-Taking Fem Example In Python
 - Interactive Elements Fem Example In Python
8. Staying Engaged with Fem Example In Python
 - Joining Online Reading Communities
 - Participating in Virtual Book Clubs
 - Following Authors and Publishers Fem Example In Python
9. Balancing eBooks and Physical Books Fem Example In Python
 - Benefits of a Digital Library
 - Creating a Diverse Reading Collection Fem Example In Python
10. Overcoming Reading Challenges
 - Dealing with Digital Eye Strain
 - Minimizing Distractions
 - Managing Screen Time
11. Cultivating a Reading Routine Fem Example In Python
 - Setting Reading Goals Fem Example In Python
 - Carving Out Dedicated Reading Time
12. Sourcing Reliable Information of Fem Example In Python
 - Fact-Checking eBook Content of Fem Example In Python
 - Distinguishing Credible Sources
13. Promoting Lifelong Learning

- Utilizing eBooks for Skill Development
 - Exploring Educational eBooks
14. Embracing eBook Trends
- Integration of Multimedia Elements
 - Interactive and Gamified eBooks

Fem Example In Python Introduction

Free PDF Books and Manuals for Download: Unlocking Knowledge at Your Fingertips In today's fast-paced digital age, obtaining valuable knowledge has become easier than ever. Thanks to the internet, a vast array of books and manuals are now available for free download in PDF format. Whether you are a student, professional, or simply an avid reader, this treasure trove of downloadable resources offers a wealth of information, conveniently accessible anytime, anywhere. The advent of online libraries and platforms dedicated to sharing knowledge has revolutionized the way we consume information. No longer confined to physical libraries or bookstores, readers can now access an extensive collection of digital books and manuals with just a few clicks. These resources, available in PDF, Microsoft Word, and PowerPoint formats, cater to a wide range of interests, including literature, technology, science, history, and much more. One notable platform where you can explore and download free Fem Example In Python PDF books and manuals is the internet's largest free library. Hosted online, this catalog compiles a vast assortment of documents, making it a veritable goldmine of knowledge. With its easy-to-use website interface and customizable PDF generator, this platform offers a user-friendly experience, allowing individuals to effortlessly navigate and access the information they seek. The availability of free PDF books and manuals on this platform demonstrates its commitment to democratizing education and empowering individuals with the tools needed to succeed in their chosen fields. It allows anyone, regardless of their background or financial limitations, to expand their horizons and gain insights from experts in various disciplines. One of the most significant advantages of downloading PDF books and manuals lies in their portability. Unlike physical copies, digital books can be stored and carried on a single device, such as a tablet or smartphone, saving valuable space and weight. This convenience makes it possible for readers to have their entire library at their fingertips, whether they are commuting, traveling, or simply enjoying a lazy afternoon at home. Additionally, digital files are easily searchable, enabling readers to locate specific information within seconds. With a few keystrokes, users can search for keywords, topics, or phrases, making research and finding relevant information a breeze. This efficiency saves time and effort, streamlining the learning process and allowing individuals to focus on extracting the information they need. Furthermore, the availability of free PDF books and manuals fosters a culture of continuous learning. By removing financial barriers, more people can access educational resources and pursue lifelong learning, contributing to personal

growth and professional development. This democratization of knowledge promotes intellectual curiosity and empowers individuals to become lifelong learners, promoting progress and innovation in various fields. It is worth noting that while accessing free Fem Example In Python PDF books and manuals is convenient and cost-effective, it is vital to respect copyright laws and intellectual property rights. Platforms offering free downloads often operate within legal boundaries, ensuring that the materials they provide are either in the public domain or authorized for distribution. By adhering to copyright laws, users can enjoy the benefits of free access to knowledge while supporting the authors and publishers who make these resources available. In conclusion, the availability of Fem Example In Python free PDF books and manuals for download has revolutionized the way we access and consume knowledge. With just a few clicks, individuals can explore a vast collection of resources across different disciplines, all free of charge. This accessibility empowers individuals to become lifelong learners, contributing to personal growth, professional development, and the advancement of society as a whole. So why not unlock a world of knowledge today? Start exploring the vast sea of free PDF books and manuals waiting to be discovered right at your fingertips.

FAQs About Fem Example In Python Books

How do I know which eBook platform is the best for me? Finding the best eBook platform depends on your reading preferences and device compatibility. Research different platforms, read user reviews, and explore their features before making a choice. Are free eBooks of good quality? Yes, many reputable platforms offer high-quality free eBooks, including classics and public domain works. However, make sure to verify the source to ensure the eBook credibility. Can I read eBooks without an eReader? Absolutely! Most eBook platforms offer web-based readers or mobile apps that allow you to read eBooks on your computer, tablet, or smartphone. How do I avoid digital eye strain while reading eBooks? To prevent digital eye strain, take regular breaks, adjust the font size and background color, and ensure proper lighting while reading eBooks. What the advantage of interactive eBooks? Interactive eBooks incorporate multimedia elements, quizzes, and activities, enhancing the reader engagement and providing a more immersive learning experience. Fem Example In Python is one of the best book in our library for free trial. We provide copy of Fem Example In Python in digital format, so the resources that you find are reliable. There are also many Ebooks of related with Fem Example In Python. Where to download Fem Example In Python online for free? Are you looking for Fem Example In Python PDF? This is definitely going to save you time and cash in something you should think about.

Find Fem Example In Python :

[States 72-263 AI marketing software for entrepreneurs 72-808 AI estate investing ideas for entrepreneurs 72-2210 real estate investing 72-1010 retirement planning review America 72-1176 retirement planning for beginners United States 72-1499 small business ideas guide USA entrepreneurs 72-2736 ecommerce trends case study for entrepreneurs 72-126 affiliate marketing strategies United States 72-2543 affiliate 72-785 startup funding tips for entrepreneurs 72-716 startup funding entrepreneurs 72-1091 budget travel roadmap for entrepreneurs 72-2130 72-35 online business software for entrepreneurs 72-1368 online business 72-1171 online privacy ideas for entrepreneurs 72-121 online privacy for small business 72-19 interview tips checklist for creators 72-504 for small business 72-1195 blog monetization examples United States startups 72-2836 AI marketing comparison for startups 72-571 AI 72-2134 remote jobs trends for entrepreneurs 72-2304 remote jobs trends 72-2676 business automation apps America 72-2376 business automation](#)

Fem Example In Python :

[the enchanted wanderer and other stories vintage classics](#) - Oct 10 2023
web the enchanted wanderer and other stories vintage classics leskov nikolai amazon com tr Çerez tercihlerinizi seçin alışveriş deneyiminizi geliştirmek

the enchanted wanderer wikipedia - Jan 21 2022
web the enchanted wanderer and other stories vintage c slug and other stories feb 01 2023 a revised and expanded version of megan milks s out of print cult classic kill

[the enchanted wanderer and other stories google play](#) - Aug 28 2022
web the award winning translators of tolstoy dostoevsky chekhov and gogol now bring us a russian writer ripe for rediscovery whose earthy and exuberant stories famous in his

[the enchanted wanderer and other stories google books](#) - May 25 2022
web dec 8 2022 an edition of the enchanted wanderer and other stories the enchanted wanderer and other stories 0 ratings

0 want to read 0 currently reading 0 have

the enchanted wanderer and other stories google books - Apr 04 2023

web enchanted wanderer and other stories by author nikolai leskov publishers vintage publishing print format paperback

quantity original price 10 99 gbp 270 3 tl

the enchanted wanderer selected tales goodreads - Feb 02 2023

web jan 14 2014 the enchanted wanderer nikolai leskov s writing exploded the conventions of nineteenth century russian

fiction here is the other russia mythical and

the enchanted wanderer and other stories vintage classics - May 05 2023

web the enchanted wanderer and other stories nikolai semenovich leskov vintage books 2013 leskov n s 573 pages 5 reviews

reviews aren t verified but google checks

the enchanted wanderer and other stories archive org - Jun 06 2023

web add a gift card to your order choose your denomination

the enchanted wanderer and other stories abebooks - Aug 08 2023

web the enchanted wanderer and other stories by leskov nikolai and a great selection of related books the enchanted

wanderer and other stories vintage classics

the enchanted wanderer and other stories worldcat org - Jan 01 2023

web seller pbshop store 245 470 99 location fairford gb ships to gb many other countries item 386211380487 the enchanted

wanderer and other stories vintage

the enchanted wanderer and other stories amazon com - Sep 28 2022

web written over the course of leskov rsquo s career each story in the enchanted wanderer elucidates the very essence of the

human condition themes of love despair loneliness

the enchanted wanderer and other stories vintage c pdf - Nov 18 2021

the enchanted wanderer and other stories google books - Feb 19 2022

web we have enough money the enchanted wanderer and other stories vintage c and numerous ebook collections from

fictions to scientific research in any way along with

the enchanted wanderer and other stories open library - Mar 23 2022

web the enchanted wanderer Очарованный странник is a novel by nikolai leskov first published in russkiy mir newspaper in

1873 background edit the original idea for the

the enchanted wanderer and other stories by nikolai leskov - Apr 23 2022

web this work has been selected by scholars as being culturally important and is part of the knowledge base of civilization as we know it this work is in the public domain in the

the enchanted wanderer and other stories vintage classics - Sep 09 2023

web sep 4 2014 perhaps it was a good move therefore to title this new translation after the slightly less well known the enchanted wanderer which because the stories are

the enchanted wanderer and other stories vintage c willa - Dec 20 2021

the enchanted wanderer and other stories google books - Jun 25 2022

web the enchanted wanderer and other stories nikolai leskov with richard pevear translator larissa volokhonsky translator fiction classics short stories adventurous

the enchanted wanderer and other stories google books - Nov 30 2022

web mar 1 2001 in the enchanted wanderer in the make up artist and many other of his stories the author only starts the narrative and then let his heroes carry on with it each

the enchanted wanderer and other stories vintage c 12 14 - Oct 30 2022

web the enchanted wanderer and other stories ebook written by nikolai leskov read this book using google play books app on your pc android ios devices download for

editions of the enchanted wanderer selected tales by - Jul 07 2023

web the enchanted wanderer and other stories vintage classics published september 4th 2014 by vintage classics paperback 573 pages author s nikolai leskov richard

the enchanted wanderer and other stories colorado mountain - Jul 27 2022

web mar 26 2013 written over the course of leskov s career each story in the enchanted wanderer elucidates the very essence of the human condition themes of love despair

enchanted wanderer and other stories nikolai leskov - Mar 03 2023

web summary leskov was chekhov s favorite writer and was greatly admired by tolstoy and maxim gorky his short stories innovative in form richly playful in language now tragic

employee task list templates download print for free - May 03 2023

web daily employee task list template daily task list templates are best used for employees who work on various projects or tasks throughout their workday here employers can assign tasks and set their priority status and employees can log task completion and the amount of time spent on each task

free work schedule templates for word and excel smartsheet - Jun 04 2023

web apr 13 2016 excel smartsheet this free template shows a weekly shift schedule and calculates paid hours and labor costs based on your data you can adjust the starting day for the week and shifts can be highlighted to specify day shift night shift vacation hours or other employee work shifts bi weekly work schedule template

free excel task tracker template to do list teamgantt - Apr 02 2023

web tracking daily and monthly tasks in excel we ve designed this task tracker template to track your weekly to do list but you can create additional task lists for monitoring daily and monthly to dos click insert sheet blank sheet to add a new worksheet then give each row and column a header label and use the formatting tools to design

employee task list template work management creately - Jan 31 2023

web templates and shapes including checkboxes to get you quickly set up to track your workload tasks and progress gantt charts roadmaps and timelines to visualize the workload work progress and resource allocations and usage including budgets and costs of

free google sheets daily schedule templates and planners - Jul 05 2023

web jun 9 2023 this daily calendar google sheets template offers several advantages including effective day to day time management improved organization and optimized task prioritization to use the template simply input your appointments events tasks and deadlines into the corresponding time slots

free employee task list template and actionable guide for 2024 - Sep 07 2023

web nov 2 2023 what is an employee task list an employee task list is a plan that outlines specific tasks deadlines and responsibilities for individual employees it is not merely a to do list but rather a carefully designed document that integrates into the broader performance management cycle

daily task list templates 8 free sample example format - Feb 17 2022

web daily task list template 7 free sample example format download we all have a bunch of daily tasks that we need to complete but often in the hustle bustle of the day we forget them now you no longer need to stress about memorizing your tasks for the day we have for you our cleverly designed task list template that will help you get organized for

30 free task and checklist templates smartsheet - Aug 06 2023

web jul 19 2016 project task template weekly task list template daily task list template to do list with drop down menus template prioritized task list template yearly calendar template basic task checklist template task analysis template action item list template password log template event to do list family to do list

free schedule templates clockify - Sep 26 2022

web schedule templates are designed to help you plan your time better your daily weekly monthly and yearly tasks and activities we divided these templates into work and non work schedule templates therefore you can track both your job tasks

and the activities outside your work hours

how to track employee performance free templates included - Mar 21 2022

web jun 14 2022 daily status updates each employee must check in daily tasks have descriptions so that you can track their development there are three categories done completed tasks goal current tasks that will be done and blocked tasks that can t be completed and why they can t be finished

free excel timesheet templates smartsheet - May 23 2022

web jul 19 2022 team people management free excel timesheets and time card templates try smartsheet for free by kate eby july 19 2022 we ve compiled a variety of the top microsoft excel timesheet templates all of which are free to download and completely customizable

employee task list template jotform tables - Mar 01 2023

web great for managers or department heads this free employee task list template lets you assign employees tasks set deadlines and monitor their progress just add your employee and tasks and update the spreadsheet as you go along

29 time management templates and examples for efficiency - Nov 28 2022

web dec 17 2022 from daily agendas to monthly goals these templates cover just about any situation ready to get started here are the 29 most helpful time management worksheets personal schedules and lists stay on top of your daily and weekly tasks with these time management strategies 1 daily to do list example

schedule design templates for excel microsoft create - Jun 23 2022

web use excel to set schedules by the month day and even down to the hour leave fields for you to add in details of what task you want to complete during the time save your schedule template so that you can schedule it with your business partners and employees

17 free timesheet and time card templates smartsheet - Apr 21 2022

web aug 10 2017 17 free timesheet and time card templates get free smartsheet templates by kate eby august 10 2017 updated october 2 2023 a timesheet is typically used to log work hours and calculate pay including overtime vacation hours sick leave and holiday pay over the course of a project s timeline

daily task list template jotform tables - Oct 28 2022

web employee task list template assign tasks to your employees and monitor progress with a free employee task list template easy to customize available in spreadsheet or calendar view task list templates

daily work sheet templates download pdf onplanners - Jul 25 2022

web 35 daily work sheet templates in pdf available in a4 a5 letter and half letter also daily planners to do lists hourly schedule format

[free task list templates for excel vertex42](#) - Dec 30 2022

web dec 6 2021 task list templates track your tasks using simple spreadsheets by jon wittwer updated 12 6 2021 the excel task list templates on this page demonstrate some of the many ways that you can track tasks using a spreadsheet from simple to do lists to more advanced gantt charts

free daily timesheet time card templates smartsheet - Aug 26 2022

web a daily timesheet template is a document where employees record the number of hours worked on one day daily timesheets usually break days into hourly segments and might include space to describe tasks or record vacation time or sick days

free daily work schedule templates smartsheet - Oct 08 2023

web may 12 2016 create a detailed schedule for your employees while tracking work hours and labor costs this employee schedule template shows each day of the week so you can see an employee s daily shifts while also reviewing the weekly schedule include vacation time and holidays for a comprehensive schedule

[read online pmp exam quick reference guide sixth edition](#) - Feb 26 2022

[pmp examination content outline june 2019 project](#) - Jul 02 2022

web this pmp exam quick reference guide can help you understand and remember all interrelated concepts of the project management this condensed 21 page pdf contains

pmp exam quick reference guide sixth edition plus agile - May 12 2023

web pmp exam quick reference guide quick reference guide sixth edition plus agile test prep 939 47 tl 657 genellikle 3 4 hafta içinde kargoya verilir a quick reference

pmp exam quick reference guide sixth edition plus - Dec 07 2022

web a quick reference guide for the pmp exam this sturdy laminated card accompanies the pmp exam how to pass on your first try 5th edition presenting all 47 processes

the pmp exam quick reference guide fifth edition test prep - Aug 03 2022

web aug 3 2022 start now pmp exam quick reference guide sixth edition plus agile test prep series read online pmp exam quick reference guide sixth edition plus

pmp exam quick reference guide sixth edition - Apr 11 2023

web a quick reference guide for the pmp exam this sturdy laminated card accompanies the pmp exam how to pass on your first try 6th agile edition highlighting key agile

[pmp exam prep pmi project management institute](#) - Mar 10 2023

web condition new paperback a quick reference guide for the pmp exam this sturdy laminated card accompanies the pmp exam how to pass on your first try 6th

project management professional pmp certification pmi - Mar 30 2022

web apr 1 2018 a quick reference guide for the pmp exam this six page sturdy laminated card is designed to highlight at a glance the most important information to know for the

pmp exam quick reference guide sixth edition test prep - Feb 09 2023

web apr 1 2018 buy pmp exam quick reference guide sixth edition test prep series 6th ed by crowe andy isbn 9781732055704 from amazon s book store everyday low

pmp exam quick reference guide quick reference guide - Sep 04 2022

web to obtain pmp certification a project manager must meet certain requirements and then pass a 180 question exam the pmp exam was created by project leaders for project

pmp exam quick reference guide sixth edition plus - Jul 14 2023

web mar 11 2021 velociteach mar 11 2021 project management 8 pages a quick reference guide for the pmp exam this sturdy laminated card accompanies the pmp

pmp exam quick reference guide examstalk net - Nov 25 2021

pmp exam quick reference guide sixth edition - Jan 08 2023

web pmp exam quick reference guide quick reference guide sixth edition plus agile test prep crowe andy amazon com tr kitap

[pmp exam quick reference guide sixth edition test prep series](#) - Oct 25 2021

pmp study guide tips step by step guide to passing exam - Jun 01 2022

web sep 12 2023 read online the pmp exam quick reference guide sixth edition test prep pdf free copy studyguide apmp org author pathfinder press subject

[the pmp exam quick reference guide fifth edition](#) - Jun 13 2023

web the exam is based on the pmp certification exam content outline eco not the pmbok guide or other reference books a guide to the project management body of

[read online the pmp exam quick reference guide sixth](#) - Dec 27 2021

the pmp exam quick reference guide anna s archive - Aug 15 2023

web the pmp exam quick reference guide test prep based on pmbok 6th edition 2020 andy crowe a quick reference guide for the pmp exam this sturdy laminated card

[pmp exam quick reference guide sixth edition test prep](#) - Oct 05 2022

web jul 23 2023 tips to pass pmp exam 1st try 1 get a pmp study guide fail to prepare fail to prepare is definitely the case when it comes to passing the pmp preparation

pmp exam quick reference guide pdf flevy - Jan 28 2022

pmp exam quick reference guide pdf scribd - Apr 30 2022

web sep 12 2022 a quick reference guide for the pmp exam this six page sturdy laminated card is designed to highlight at a glance the most important information to know for the

pmp exam quick reference guide sixth edition plus agile - Nov 06 2022

web the pmp examination is a vital part of the earning this professional certification thus it is imperative that the exam accurately reflect the practices of project managers all the