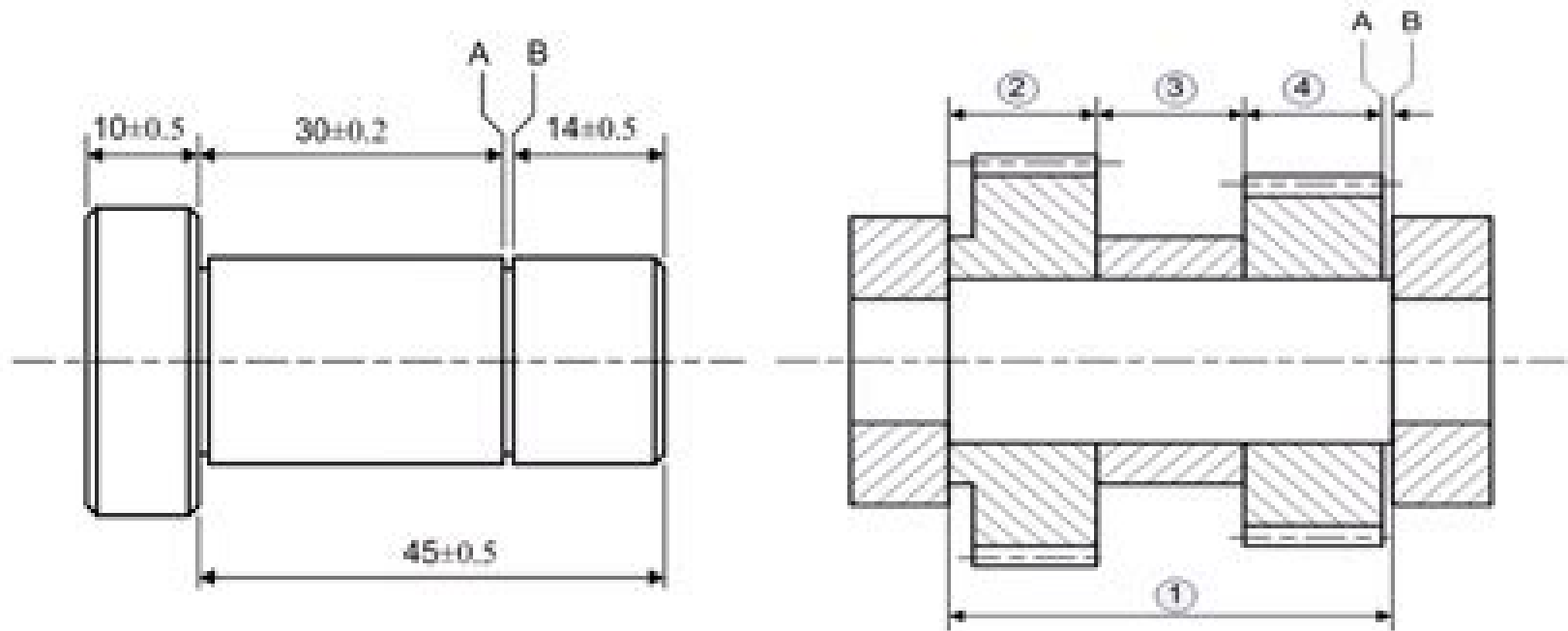


Tolerance stackup analysis

Performed to determine the variation of a single untoleranced dimension or distance on a component or in an assembly.



Geometric Stackup Tolerance Stackup Analysis Made Easy

Lihui Wang, Weiming Shen



Geometric Stackup Tolerance Stackup Analysis Made Easy:

Transdisciplinary Engineering Design Process Atila Ertas, 2018-06-28 A groundbreaking text book that presents a collaborative approach to design methods that tap into a range of disciplines In recent years the number of complex problems to be solved by engineers has multiplied exponentially Transdisciplinary Engineering Design Process outlines a collaborative approach to the engineering design process that includes input from planners economists politicians physicists biologists domain experts and others that represent a wide variety of disciplines As the author explains by including other disciplines to have a voice the process goes beyond traditional interdisciplinary design to a more productive and creative transdisciplinary process The transdisciplinary approach to engineering outlined leads to greater innovation through a collaboration of transdisciplinary knowledge reaching beyond the borders of their own subject area to conduct useful research that benefits society The author a noted expert in the field argues that by adopting transdisciplinary research to solving complex large scale engineering problems it produces more innovative and improved results This important guide Takes a holistic approach to solving complex engineering design challenges Includes a wealth of topics such as modeling and simulation optimization reliability statistical decisions ethics and project management Contains a description of a complex transdisciplinary design process that is clear and logical Offers an overview of the key trends in modern design engineering Integrates transdisciplinary knowledge and tools to prepare students for the future of jobs Written for members of the academy as well as industry leaders Transdisciplinary Engineering Design Process is an essential resource that offers a new perspective on the design process that invites in a wide variety of collaborative partners

Agile Manufacturing Systems K Hans Raj, 2011-12-17 Agility has become very important for the industries today as the lifetimes of the products are continuously shrinking This book provides an excellent opportunity for updating understanding of agile methods from the design manufacturing and business process perspectives whether one is an industrial practitioner academic researcher engineer or business graduate student This volume is a compilation of various important aspects of agility consisting of systemic considerations in manufacturing agile software systems agile business systems agile operations research flexible manufacturing systems advanced manufacturing systems with improved materials and mechanical behavior of products agile aspects of design clean and green manufacturing systems environment agile defence systems

Engineering Design, Planning, and Management Hugh Jack, 2013-01-11 Engineering Design Planning and Management covers engineering design methodology with an interdisciplinary approach concise discussions and a visual format The book explores project management and creative design in the context of both established companies and entrepreneurial start ups Readers will discover the usefulness of the design process model through practical examples and applications from across the engineering disciplines The book explains useful design techniques such as concept mapping and weighted decision matrices supported with extensive graphics flowcharts and accompanying interactive templates The discussions are organized around 12

chapters dealing with topics such as needs identification and specification design concepts and embodiments decision making finance budgets purchasing and bidding communication meetings and presentations reliability and system design manufacturing design and mechanical design Methods in the book are applied to practical situations where appropriate The design process model is fully demonstrated via examples and applications from a variety of engineering disciplines The text also includes end of chapter exercises for personal practice This book will be of interest to product designers product engineers product team managers and students taking undergraduate product design courses in departments of mechanical engineering and engineering technology Chapter objectives and end of chapter exercises for each chapter Supported by a set of PowerPoint slides for instructor use Available correlation table links chapter content to ABET criteria [Proceedings of the 5th International Symposium on Uncertainty Quantification and Stochastic Modelling](#) José Eduardo Souza De Cursi,2020-08-19 This proceedings book discusses state of the art research on uncertainty quantification in mechanical engineering including statistical data concerning the entries and parameters of a system to produce statistical data on the outputs of the system It is based on papers presented at Uncertainties 2020 a workshop organized on behalf of the Scientific Committee on Uncertainty in Mechanics M canique et Incertain of the AFM French Society of Mechanical Sciences the Scientific Committee on Stochastic Modeling and Uncertainty Quantification of the ABCM Brazilian Society of Mechanical Sciences and the SBMAC Brazilian Society of Applied Mathematics **Metrology and Instrumentation** Samir Mekid,2021-12-29 Metrology and Instrumentation Practical Applications for Engineering and Manufacturing provides students and professionals with an accessible foundation in the metrology techniques instruments and governing standards used in mechanical engineering and manufacturing The book opens with an overview of metrology units and scale then moves on to explain topics such as sources of error calibration systems uncertainty and dimensional mechanical and thermodynamic measurement systems A chapter on tolerance stack ups covers GD T ASME Y14 5 2018 and the ISO standard for general tolerances while a chapter on digital measurements connects metrology to newer Industry 4 0 applications

Advances in Design Automation, 1992: Geometric modeling, mechanisms, and mechanical systems analysis

David Albert Hoeltzel,1992 **Proceedings of the ... ASME Design Engineering Technical Conferences** ,2007

Mechanical Tolerance Stackup and Analysis Bryan R. Fischer,2004-06-22 Written by one of the foremost authorities in the field Mechanical Tolerance Stackup and Analysis presents proven and easy to use methods for determining whether selected dimensioning and tolerancing schemes will yield functional parts and assemblies and the most practical procedure to communicate the results Using a variety of examples and real **Proceedings of the ASME Manufacturing**

Engineering Division ... ,2003 **Process Planning and Scheduling for Distributed Manufacturing** Lihui

Wang,Weiming Shen,2007-05-14 This is the first book to focus on emerging technologies for distributed intelligent decision making in process planning and dynamic scheduling It has two sections a review of several key areas of research and an in

depth treatment of particular techniques Each chapter addresses a specific problem domain and offers practical solutions to solve it The book provides a better understanding of the present state and future trends of research in this area

Methodologies for Modeling and Analysis of Stream-of-variation in Compliant and Rigid Assemblies Wenzhen Huang,2004

Advances in Composite Materials Brahim Attaf,2011-03-16 By adopting the principles of sustainable design and cleaner production this important book opens a new challenge in the world of composite materials and explores the achieved advancements of specialists in their respective areas of research and innovation Contributions coming from both spaces of academia and industry were so diversified that the 28 chapters composing the book have been grouped into the following main parts sustainable materials and ecodesign aspects composite materials and curing processes modelling and testing strength of adhesive joints characterization and thermal behaviour all of which provides an invaluable overview of this fascinating subject area Results achieved from theoretical numerical and experimental investigations can help designers manufacturers and suppliers involved with high tech composite materials to boost competitiveness and innovation productivity

Advanced Materials ,1996 Comprising the proceedings of the International Mechanical Engineering Congress and Exposition held in Atlanta in November 1996 this volume contains contributions divided into the following headings emerging materials technologies advances in failure mechanisms in brittle materials design and ma

Advances in Manufacturing Systems (MESIC) Mariano Marcos,Jorge Salguero,Andrés Pastor,2012-02-03 Selected peer reviewed papers from the 4th Manufacturing Engineering Society International Conference September 2011 Cadiz Spain

Tolerance Stack-Up Analysis James D. Meadows,2001 This text workbook answerbook explains the process of tolerance stack up analysis for assemblies using both plus and minus tolerances and geometric tolerances It explains pertinent aspects of geometric dimensioning and tolerancing then proceeds to teach a sound logical mathematically reliable methodology for calculating tolerance stack ups Publisher abstract

ASM Handbook ASM International. Handbook Committee,1997-12 This volume is a comprehensive reference on the basic concepts methodologies and information sources dealing with materials selection and its integration with engineering design processes Contents include contributions from 100 experts involved with design materials selection and manufacturing Addresses metals ceramics polymers and composites and provides many case histories and examples

Die Casting Engineer ,1997

Concurrent Engineering, 1992 American Society of Mechanical Engineers. Winter Annual Meeting,1992

Dissertation Abstracts International ,2001

Journal of Mechanical Design ,2008

Whispering the Strategies of Language: An Emotional Quest through **Geometric Stackup Tolerance Stackup Analysis Made Easy**

In a digitally-driven world where screens reign supreme and immediate interaction drowns out the subtleties of language, the profound strategies and mental nuances concealed within phrases often go unheard. Yet, nestled within the pages of **Geometric Stackup Tolerance Stackup Analysis Made Easy** a captivating fictional treasure pulsing with organic feelings, lies a fantastic journey waiting to be undertaken. Published by an experienced wordsmith, that marvelous opus encourages readers on an introspective trip, gently unraveling the veiled truths and profound affect resonating within the fabric of every word. Within the psychological depths of this moving evaluation, we can embark upon a honest exploration of the book's key themes, dissect its fascinating writing style, and feel the effective resonance it evokes deep within the recesses of readers' hearts.

https://py.bijouxmedusa.com/data/scholarship/Download_PDFS/97_63_Stock_Market_For_Beginners_For_Startups_97_354_Stock_Market_Guide.pdf

Table of Contents Geometric Stackup Tolerance Stackup Analysis Made Easy

1. Understanding the eBook Geometric Stackup Tolerance Stackup Analysis Made Easy
 - The Rise of Digital Reading Geometric Stackup Tolerance Stackup Analysis Made Easy
 - Advantages of eBooks Over Traditional Books
2. Identifying Geometric Stackup Tolerance Stackup Analysis Made Easy
 - Exploring Different Genres
 - Considering Fiction vs. Non-Fiction
 - Determining Your Reading Goals
3. Choosing the Right eBook Platform
 - Popular eBook Platforms
 - Features to Look for in an eBook Platform Geometric Stackup Tolerance Stackup Analysis Made Easy
 - User-Friendly Interface

4. Exploring eBook Recommendations from Geometric Stackup Tolerance Stackup Analysis Made Easy
 - Personalized Recommendations
 - Geometric Stackup Tolerance Stackup Analysis Made Easy User Reviews and Ratings
 - Geometric Stackup Tolerance Stackup Analysis Made Easy and Bestseller Lists
5. Accessing Geometric Stackup Tolerance Stackup Analysis Made Easy Free and Paid eBooks
 - Geometric Stackup Tolerance Stackup Analysis Made Easy Public Domain eBooks
 - Geometric Stackup Tolerance Stackup Analysis Made Easy eBook Subscription Services
 - Geometric Stackup Tolerance Stackup Analysis Made Easy Budget-Friendly Options
6. Navigating Geometric Stackup Tolerance Stackup Analysis Made Easy eBook Formats
 - ePub, PDF, MOBI, and More
 - Geometric Stackup Tolerance Stackup Analysis Made Easy Compatibility with Devices
 - Geometric Stackup Tolerance Stackup Analysis Made Easy Enhanced eBook Features
7. Enhancing Your Reading Experience
 - Adjustable Fonts and Text Sizes of Geometric Stackup Tolerance Stackup Analysis Made Easy
 - Highlighting and Note-Taking Geometric Stackup Tolerance Stackup Analysis Made Easy
 - Interactive Elements Geometric Stackup Tolerance Stackup Analysis Made Easy
8. Staying Engaged with Geometric Stackup Tolerance Stackup Analysis Made Easy
 - Joining Online Reading Communities
 - Participating in Virtual Book Clubs
 - Following Authors and Publishers Geometric Stackup Tolerance Stackup Analysis Made Easy
9. Balancing eBooks and Physical Books Geometric Stackup Tolerance Stackup Analysis Made Easy
 - Benefits of a Digital Library
 - Creating a Diverse Reading Collection Geometric Stackup Tolerance Stackup Analysis Made Easy
10. Overcoming Reading Challenges
 - Dealing with Digital Eye Strain
 - Minimizing Distractions
 - Managing Screen Time
11. Cultivating a Reading Routine Geometric Stackup Tolerance Stackup Analysis Made Easy
 - Setting Reading Goals Geometric Stackup Tolerance Stackup Analysis Made Easy
 - Carving Out Dedicated Reading Time

12. Sourcing Reliable Information of Geometric Stackup Tolerance Stackup Analysis Made Easy
 - Fact-Checking eBook Content of Geometric Stackup Tolerance Stackup Analysis Made Easy
 - Distinguishing Credible Sources
13. Promoting Lifelong Learning
 - Utilizing eBooks for Skill Development
 - Exploring Educational eBooks
14. Embracing eBook Trends
 - Integration of Multimedia Elements
 - Interactive and Gamified eBooks

Geometric Stackup Tolerance Stackup Analysis Made Easy Introduction

Geometric Stackup Tolerance Stackup Analysis Made Easy Offers over 60,000 free eBooks, including many classics that are in the public domain. Open Library: Provides access to over 1 million free eBooks, including classic literature and contemporary works. Geometric Stackup Tolerance Stackup Analysis Made Easy Offers a vast collection of books, some of which are available for free as PDF downloads, particularly older books in the public domain. Geometric Stackup Tolerance Stackup Analysis Made Easy : This website hosts a vast collection of scientific articles, books, and textbooks. While it operates in a legal gray area due to copyright issues, its a popular resource for finding various publications. Internet Archive for Geometric Stackup Tolerance Stackup Analysis Made Easy : Has an extensive collection of digital content, including books, articles, videos, and more. It has a massive library of free downloadable books. Free-eBooks Geometric Stackup Tolerance Stackup Analysis Made Easy Offers a diverse range of free eBooks across various genres. Geometric Stackup Tolerance Stackup Analysis Made Easy Focuses mainly on educational books, textbooks, and business books. It offers free PDF downloads for educational purposes. Geometric Stackup Tolerance Stackup Analysis Made Easy Provides a large selection of free eBooks in different genres, which are available for download in various formats, including PDF. Finding specific Geometric Stackup Tolerance Stackup Analysis Made Easy, especially related to Geometric Stackup Tolerance Stackup Analysis Made Easy, might be challenging as theyre often artistic creations rather than practical blueprints. However, you can explore the following steps to search for or create your own Online Searches: Look for websites, forums, or blogs dedicated to Geometric Stackup Tolerance Stackup Analysis Made Easy, Sometimes enthusiasts share their designs or concepts in PDF format. Books and Magazines Some Geometric Stackup Tolerance Stackup Analysis Made Easy books or magazines might include. Look for these in online stores or libraries. Remember that while Geometric Stackup Tolerance Stackup Analysis Made Easy, sharing copyrighted material without permission is not legal. Always ensure youre either

creating your own or obtaining them from legitimate sources that allow sharing and downloading. Library Check if your local library offers eBook lending services. Many libraries have digital catalogs where you can borrow Geometric Stackup Tolerance Stackup Analysis Made Easy eBooks for free, including popular titles. Online Retailers: Websites like Amazon, Google Books, or Apple Books often sell eBooks. Sometimes, authors or publishers offer promotions or free periods for certain books. Authors Website Occasionally, authors provide excerpts or short stories for free on their websites. While this might not be the Geometric Stackup Tolerance Stackup Analysis Made Easy full book, it can give you a taste of the authors writing style. Subscription Services Platforms like Kindle Unlimited or Scribd offer subscription-based access to a wide range of Geometric Stackup Tolerance Stackup Analysis Made Easy eBooks, including some popular titles.

FAQs About Geometric Stackup Tolerance Stackup Analysis Made Easy Books

How do I know which eBook platform is the best for me? Finding the best eBook platform depends on your reading preferences and device compatibility. Research different platforms, read user reviews, and explore their features before making a choice. Are free eBooks of good quality? Yes, many reputable platforms offer high-quality free eBooks, including classics and public domain works. However, make sure to verify the source to ensure the eBook credibility. Can I read eBooks without an eReader? Absolutely! Most eBook platforms offer webbased readers or mobile apps that allow you to read eBooks on your computer, tablet, or smartphone. How do I avoid digital eye strain while reading eBooks? To prevent digital eye strain, take regular breaks, adjust the font size and background color, and ensure proper lighting while reading eBooks. What the advantage of interactive eBooks? Interactive eBooks incorporate multimedia elements, quizzes, and activities, enhancing the reader engagement and providing a more immersive learning experience. Geometric Stackup Tolerance Stackup Analysis Made Easy is one of the best book in our library for free trial. We provide copy of Geometric Stackup Tolerance Stackup Analysis Made Easy in digital format, so the resources that you find are reliable. There are also many Ebooks of related with Geometric Stackup Tolerance Stackup Analysis Made Easy. Where to download Geometric Stackup Tolerance Stackup Analysis Made Easy online for free? Are you looking for Geometric Stackup Tolerance Stackup Analysis Made Easy PDF? This is definitely going to save you time and cash in something you should think about. If you trying to find then search around for online. Without a doubt there are numerous these available and many of them have the freedom. However without doubt you receive whatever you purchase. An alternate way to get ideas is always to check another Geometric Stackup Tolerance Stackup Analysis Made Easy. This method for see exactly what may be included and adopt these ideas to your book. This site will almost certainly help you save time and effort, money and stress. If you are looking for free books then you really should consider finding to assist you try this. Several of Geometric Stackup Tolerance Stackup

Analysis Made Easy are for sale to free while some are payable. If you arent sure if the books you would like to download works with for usage along with your computer, it is possible to download free trials. The free guides make it easy for someone to free access online library for download books to your device. You can get free download on free trial for lots of books categories. Our library is the biggest of these that have literally hundreds of thousands of different products categories represented. You will also see that there are specific sites catered to different product types or categories, brands or niches related with Geometric Stackup Tolerance Stackup Analysis Made Easy. So depending on what exactly you are searching, you will be able to choose e books to suit your own need. Need to access completely for Campbell Biology Seventh Edition book? Access Ebook without any digging. And by having access to our ebook online or by storing it on your computer, you have convenient answers with Geometric Stackup Tolerance Stackup Analysis Made Easy To get started finding Geometric Stackup Tolerance Stackup Analysis Made Easy, you are right to find our website which has a comprehensive collection of books online. Our library is the biggest of these that have literally hundreds of thousands of different products represented. You will also see that there are specific sites catered to different categories or niches related with Geometric Stackup Tolerance Stackup Analysis Made Easy So depending on what exactly you are searching, you will be able to choose ebook to suit your own need. Thank you for reading Geometric Stackup Tolerance Stackup Analysis Made Easy. Maybe you have knowledge that, people have search numerous times for their favorite readings like this Geometric Stackup Tolerance Stackup Analysis Made Easy, but end up in harmful downloads. Rather than reading a good book with a cup of coffee in the afternoon, instead they juggled with some harmful bugs inside their laptop. Geometric Stackup Tolerance Stackup Analysis Made Easy is available in our book collection an online access to it is set as public so you can download it instantly. Our digital library spans in multiple locations, allowing you to get the most less latency time to download any of our books like this one. Merely said, Geometric Stackup Tolerance Stackup Analysis Made Easy is universally compatible with any devices to read.

Find Geometric Stackup Tolerance Stackup Analysis Made Easy :

97-63 stock market for beginners for startups 97-354 stock market guide America 97-1727 luxury travel tutorial for creators 97-2580 machine dropshipping business blueprint America 97-602 dropshipping business privacy best practices for entrepreneurs 97-85 online privacy best entrepreneurs 97-1447 luxury travel tips for entrepreneurs 97-2366 97-255 interview tips case study for creators 97-1126 interview tips entrepreneurs 97-2077 interview tips ideas for startups 97-1301

for entrepreneurs 97-2660 productivity hacks tips for startups 97-1070

[97-2141 business automation tools for creators](#) [97-1081 business productivity hacks guide for creators](#) [97-971 productivity hacks guide mobile app ideas roadmap for startups](#) [97-788 mobile app ideas software](#) [97-1668 machine learning basics blueprint for small business](#) [97-2834 marketing software USA](#) [97-1324 content marketing software for startups improvement case study USA](#) [97-2862 self improvement case study United](#) [97-383 personal finance roadmap for entrepreneurs](#) [97-2567 personal](#)

Geometric Stackup Tolerance Stackup Analysis Made Easy :

the business of being a cio how cios can use their technical skills - Sep 02 2023

web technology centric business environment cios must find game changing innovations and process improvements that make a real impact on the bottom line business executives need their cios to be real partners speaking the language of the business and donning their strategist caps not just commodity managers

the business of being a cio how cios can use their technical skills - Apr 28 2023

web all too often cios can get caught up in all of the technical details of the job boosting up to the business of being a cio how cios can use their technical skills to help their company solve real world business problems by jim anderson goodreads

the business of being a cio how cios can use their technical skills - Oct 23 2022

web read the business of being a cio how cios can use their technical skills to help their company solve real world business problems by jim anderson with a free trial read millions of ebooks and audiobooks on the web ipad iphone and android

[learn about being a cio chief information officer indeed com](#) - Nov 23 2022

web jan 26 2023 cios are expected to have a minimum of a bachelor s degree in a field like information technology computer science programming or another closely related field they need in depth knowledge of computer systems and technology to perform the strategic planning responsibilities in this role coursework that they complete in their field of

[10 things cios are prioritizing today to stay ahead in 2024](#) - Aug 21 2022

web oct 26 2023 key takeaways cios drive tech innovation and adaptability in organizations cio priorities for 2024 ai blockchain cloud cybersecurity focus on digital culture user experience and strategic

the business of being a cio how cios can use their technical skills - Jun 30 2023

web the business of being a cio how cios can use their technical skills to brands included 6 technology brands microsoft ibm general electric intel nokia and hewlett packard cisco nudged the list at no 16 these are all brands that have revised their

notions of what makes people adopt technology microsoft has moved on to

the business of being a cio how cios can use their technical skills - Apr 16 2022

web dec 5 2014 the business of being a cio how cios can use their technical skills to help their company solve real world business problems anderson jim on amazon com free shipping on qualifying offers the business of being a cio how cios can use their technical skills to help their company solve real world

the business of being a cio how cios can use their technical skills - May 30 2023

web dec 5 2014 this book has been written in order to provide you with an understanding of how you can use your technical skills to solve business problems for your company follow the suggestions in this book and you ll transform your it department into a powerful competitive tool for the rest of the firm to use

15 must have skills for any successful cio candidate forbes - Dec 25 2022

web apr 24 2020 4 strategic thinking for data use many cios want to capture as much data as they can wherever they can without the full context of how data is strategically used cios like ceos need to have a

the business of being a cio how cios can use their technical skills - May 18 2022

web buy the business of being a cio how cios can use their technical skills to help their company solve real world business problems 1 by anderson jim isbn 9781503293434 from amazon s book store everyday low

what cios and ctos should consider before adopting - Sep 21 2022

web oct 25 2023 implementing generative ai can seem like a chicken and egg conundrum in a recent ibm institute for business value survey 64 of ceos said they needed to modernize apps before they could use generative ai but simultaneously generative ai has the power to transform the process of application modernization through code reverse

how to become a cio in 5 steps indeed com - Mar 16 2022

web aug 1 2023 how to become a chief information officer if you re interested in becoming a chief information officer follow these steps earn a four year degree gain experience in project management identify a specialty or niche gain experience in information technology governance earn an m b a 1 earn a four year degree

what is a cio a guide to the role and responsibilities of a cio - Jul 20 2022

web jul 15 2021 a guide to the role and responsibilities of a cio written by masterclass last updated jul 15 2021 3 min read a company s chief information officer or cio is the executive in charge of the information technology strategy within a business a company s chief information officer or cio is the executive in charge of the information

the rise of the chief transformation officer cio - Feb 24 2023

web oct 30 2023 the rise of the chief transformation officer business it alignment as a new leadership role emerges to spearhead broad scale business transformation it leaders continue to make a mark driving

the business of being a cio how cios can use their technical skills - Aug 01 2023

web the business of being a cio how cios can use their technical skills to help their company solve real world business problems anderson jim amazon sg books

business of being a cio how cios can use their technical skills - Jun 18 2022

web 1 hour 11 minutes summary all too often cios can get caught up in all of the technical details of the job boosting uptime replacing servers guarding against cyber criminals etc what we tend to forget is that it exists to serve the rest of the business and they are there in most cases to make money

nine competencies that can elevate the cio to business leader - Mar 28 2023

web our global cio survey and interviews with cios and business stakeholders confirm that cios want to hone their leadership skills and develop new competencies to take on the role of business leader currently 55 percent of cios surveyed report that they are primarily focused on operational and execution responsibilities leaving little time for

the business of being a cio how cios can use their technical skills - Oct 03 2023

web the business of being a cio how cios can use their technical skills to advisory company we equip business leaders with indispensable insights advice and tools to achieve their mission critical priorities today and build the successful organizations of tomorrow for many in technology the term hacker is best applied to those who use their

how cios can bring business and it together how cios can use their - Jan 26 2023

web as the world has become more and more digital the importance of the role of a cio within a firm has increased no longer can cios be content to focus exclusively on technical topics instead we now have to consider what the company s goals are and how technology can be used to help the company ach

the business of being a cio how cios can use their technical skills - Feb 12 2022

web the business of being a cio how cios can use their technical skills to help their company solve real world business ebook anderson jim amazon co uk kindle store

silica bonded and phosphate bonded investment materials final - Apr 11 2023

web definitions dental casting investment material consisting principally of an allotrope of silica and a bonding substance may be gypsum phosphates and silica refractory

silica bonded investment and diatomite deepdyve - Oct 05 2022

web dec 17 2015 silica bonded investments being more refractory than phosphate bonded investments can tolerate higher burn out or mould casting temperatures

pdf investment materials a review researchgate - Aug 15 2023

web feb 27 2021 phosphate bonded investment material consisting of silica with a binder such as magnesium oxide and

phosphate when colloidal silica and liquid are mixed magnesium ammonium phosphate

lecture 10 dental material dr aseel alkafaji □□□□ □□□□ - Jul 14 2023

web a gypsum bonded investment caso4 α hemihydrate b phosphate bonded investment monoammonium phosphate c silica bonded investment ethyl silicate 2 based on

investment materials ppt slideshare - Aug 03 2022

web may 11 2009 the porosities of hand mixed samples of gypsum bonded phosphate bonded and silica bonded investments were 53.9 per cent 36.9 per cent and 31.4 per

silica bonded investment academic dictionaries and - Sep 23 2021

dental investment materials for casting metals and alloys - Jun 13 2023

web jan 1 2008 this chapter discusses the unresolved issues on silica based phosphate bonded casting investment material and the problem of casting titanium it explains the

porosity and strength properties of gypsum - Dec 07 2022

web dec 1 1981 abstract some effects of the addition of a diatomite product to a silica bonded investment were investigated the expansion of moulds made from the diatomite

global fumed silica market size share trend growth - Aug 23 2021

investment materials pdf casting metalworking silicon - Dec 27 2021

web by viewerstoday in this video lecture we will learn all about the dental investment materials a dental investment is a refractory material that is used to su

silica bonded investment and diatomite pubmed - Nov 06 2022

web enumerate the physical properties of the ethyl silicate bonded investment materials enumerate the uses of phosphate bonded and ethyl silicate bonded investment

dental investment materials gypsum bonde phosphate - Oct 25 2021

web sep 15 2023 the new report by expert market research titled global fumed silica market size share growth analysis report and forecast 2023 2028 gives an in

improved sol based ceramic moulds for use in investment casting - Jul 02 2022

web types of investment based on the nature of binder gypsum bonded investments phosphate bonded investments ethyl silica bonded investments gypsum

gypsum silica bonded investment material authorstream - Feb 09 2023

web bonded investment 1 introduction gypsum bonded investment gbi casting is widely used in jewellery and dental casting and the investment usually consist of refractory

investment material pptx □□□□ □□□□ *muhadharaty* - Nov 25 2021

web silica bonded investment an investment bonded by silica used with metals or alloys that have high fusion temperatures medical dictionary 2011

investment materials in dentistry pt 3 silica bonded - Jan 28 2022

web jan 10 2018 dental casting investment a material consisting primarily of an allotrope of silica and a bonding agent the bonding substance may be gypsum for use in lower

dental casting investment material aligarh muslim university - Jan 08 2023

web pmid 6280659 doi 10 1111 j 1834 7819 1981 tb03995 x no abstract available publication types comparative study mesh terms calcium sulfate chemical phenomena

phosphate bonded and silica bonded investment materials - Sep 04 2022

web an investigation has been carried out into the mechanisms of failure of silica bonded investment casting moulds with the aim of reducing failure rates for larger components

silica bonded investment dental dictionary com - Mar 30 2022

web in this video i have explained silica bonded materials1 composition2 binder 3 important propertiesshare your reviews in comments subscribe to my chan

gypsum bonded investments focus dentistry - Apr 30 2022

web metal ceramic prosthesis and for some base metal alloys ethyl silicate bonded investment material these are used in casting of removal partial denture with base

casting investments and casting procedures pocket - May 12 2023

web f silica bonded investment consist of powdered quartz or cristobalite which is bonded together with silica gel silica gel is formed by mixing ethyl silicate and dilute

surface porosity of different investment materials with different - Jun 01 2022

web a casting investment with ethyl silicate or a silica gel as a binder the latter reverting to silica upon heating this is combined with cristobalite or quartz as the refractory

gypsum investment material my dental technology - Mar 10 2023

web ethyl silica bonded investments alternative to the phosphate bonded investments for high temperature casting principally used in the casting of base metal alloy partial

investments of dental materials studylib net - Feb 26 2022

web investment material a material consisting principally of an allotrope of silica and a bonding agent the bonding substance may be gypsum for use in lower casting temperatures or

best silhouette desire harlequin desire 105 books goodreads - Apr 01 2023

web listopia best silhouette desire harlequin desire your favorite books of the desire line you can also check out the favourite blaze title list the best harlequin temptation list

harlequin blaze silhouette romance books goodreads - Jan 30 2023

web the medusa project the medusas book 1 by cindy dees goodreads author shelved 1 time as harlequin blaze silhouette romance avg rating 4 46 747 ratings

silhouette romance novels etsy - Feb 16 2022

web huge lot of 31 vintage silhouette romance books 1980 s paperback romances janet dailey tracy sinclair anne hampson dixie browning 4 8k 45 00 free shipping

best free romance books to read online allfreenovel - Nov 15 2021

web 12 hours ago the political artist drew some of the most provocative images of the trump presidency worm his new graphic memoir of emigrating from cuba to the u s

harlequin silhouette romance books goodreads - Feb 28 2023

web annette broadrick shelved 1 time as harlequin silhouette romance avg rating 3 41 59 ratings published 1986 want to read rate this book 1 of 5 stars 2 of 5 stars 3 of 5

[silhouette special edition series in order fictiondb](#) - Oct 27 2022

web the silhouette special edition series in order 3058 books series list silhouette special edition 3058 books a sortable list in reading order and chronological order

best silhouette romance books find book ebooks z library - Sep 25 2022

web best silhouette romance category genre new releases and most popular related silhouette romance books in 2023 z library find books

shop silhouette romance books and collectibles abebooks - Aug 25 2022

web 65 277 items browse and buy a vast selection of silhouette romance books and collectibles on abebooks com

silhouette romance open library - Dec 29 2022

web 1985 1990 1995 2000 2005 2010 0 1 2 3 4 5 year of publication subjects places california san francisco idaho portola valley south america texas people alex hofstedder

[silhouette first love series in order fictiondb](#) - Nov 27 2022

web 206 rows series list silhouette first love 236 books a sortable list in reading order and chronological order with

publication date genre and rating

vintage silhouette romance novels etsy - Jan 18 2022

web oct 19 2022 silhouette romances on the small screen in the 1980s and 1990s romance imprints silhouette and harlequin teamed up with showtime and cbs to

silhouette books goodreads - May 02 2023

web 100 books 1 voter silhouette genre new releases and popular books including the tycoon s pregnant mistress by maya banks the wedding in white by diana palmer

silhouette romance books goodreads - Oct 07 2023

web showing 1 50 of 582 the boss s convenient bride mass market paperback by jennie adams shelved 5 times as silhouette romance avg rating 3 53 53 ratings

books silhouette romance books listal - Apr 20 2022

web your favorite romance books delivered monthly right to your home without any effort access to exclusive discounts rewards and special collections visit the official harlequin

home harlequin com - Mar 20 2022

web check out our silhouette romance novels selection for the very best in unique or custom handmade pieces from our literature fiction shops

silhouette romance series in order fictiondb - Sep 06 2023

web 206 rows series list silhouette romance 1851 books a sortable list in reading order

silhouette special releases harlequin com - Jun 03 2023

web silhouette special releases special releases from your favorite silhouette authors contemporary romance 486 new adult romance 131 romantic comedy 129

bestselling authors who wrote series romance - Jul 24 2022

web jun 4 2019 fern michaels sea gypsy silhouette romance 1980 nora roberts irish thoroughbred silhouette romance 1981 lavyrle spencer spring fancy harlequin

edel rodriguez isn t afraid to live with the consequences - Oct 15 2021

silhouette romance movies movies based on romance novels - Dec 17 2021

web read the best romance books online for free get all times best romance books free free novels to read online

silhouette romances books goodreads - Aug 05 2023

web silhouette romances books showing 1 40 of 40 mail order bride mass market paperback by debbie macomber goodreads

author shelved 2 times as silhouette

first love from silhouette 196 books *goodreads* - Jul 04 2023

web mar 23 2020 listopia first love from silhouette 1980s teen romance imprint flag all votes add books to this list previous 1 2 next 196 books 4 voters list created

publisher series silhouette romance librarything - Jun 22 2022

web the 101 best romance novels of the last 10 years by booklist gg best books to read this march selection management today books ceos should be reading selection

romance novel wikipedia - May 22 2022

web books tagged as silhouette romance by the listal community sort by tag popularity top rated top rated popular wanted recently wanted date added 1