

GEOMETRICAL AND MECHANICAL DRAWING

Maximum Marks: 80

Time Allowed: Three hours

*(Candidates are allowed additional 15 minutes for only reading the paper.
They must NOT start writing during this time).*

All dimensions are in millimeters.

Arcs of circles less than 4mm radius may be drawn freehand.

*Candidates are required to attempt all questions from Section A and
all questions **EITHER** from Section B **OR** Section C.*

The intended marks for questions or parts of questions are given in brackets [].

SECTION A – 25 MARKS

Question 1

[25]

Figure 1 given below shows a machine block. Draw the front view, top view and side view by using first or third angle method of projection. Also, draw the symbol of method of projection which you have chosen.

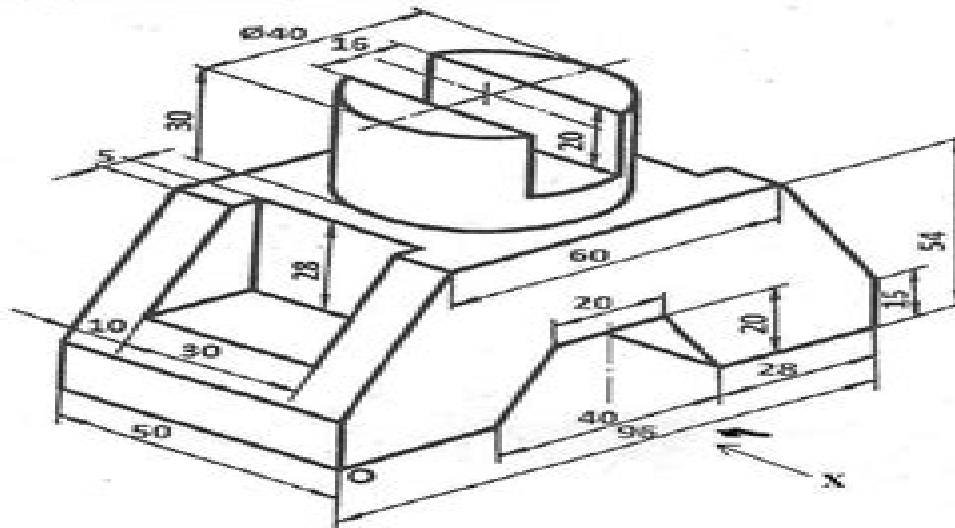


Figure 1

Geometrical And Mechanical Drawing Past Papers

Caribbean Examinations Council



Geometrical And Mechanical Drawing Past Papers:

CAPE Past Papers Caribbean Examinations Council,2011 **Art and Design, Geometrical & Mechanical Engineering Drawing 2009** Caribbean Examinations Council,2010 **Subject Index of the Modern Works Added to the Library of the British Museum** British Museum,1897 **Accounts and Papers of the House of Commons** Great Britain. Parliament. House of Commons,1851 *Accounts and papers* Great Britain House of Commons,1851 **Senate Documents** USA. Congress. Senate,1898 Prospectuses, courses of instruction, &c. International correspondence schools,1901 A Subject Index of the Modern Works Added to the Library of the British Museum in the Years 1891-1895 George Knottesford Fortescue,1897 *Parliamentary Papers* Great Britain. Parliament. House of Commons,1851 **A Subject Index of the Modern Works Added to the Library of the British Museum in the Years 1880-[95]: 1891-1895** British Museum. Dept. of Printed Books,1897 **The Boy's Own Annual** ,1925 Stories articles interviews puzzles games jokes and other miscellaneous writings for boys Paper of information for Indian gentlemen proposing to study in England National Indian assoc,1878 A Classified Catalogue of School, College, Classical, Technical, and General Educational Works in Use in the United Kingdom and Its Dependencies in 1876 ,1876 *Public Documents of Massachusetts* Massachusetts,1873 **A Classified Catalogue of ... Educational Works in Use in the United Kingdom and Its Dependencies in 1876 ...** ,1876 A classified catalogue of ... education works in use in the United Kingdom and its dependencies United Kingdom,1876 Proceedings, Rensselaer's Second International Conference on Computer Integrated Manufacturing ,1990 **The Public Schools Year Book** ,1926 **Documents of the ... Legislature of the State of New Jersey** New Jersey. Legislature,1888 Engineering and Mining Journal ,1899

Eventually, you will unquestionably discover a extra experience and attainment by spending more cash. still when? do you take that you require to get those all needs considering having significantly cash? Why dont you try to get something basic in the beginning? Thats something that will guide you to understand even more going on for the globe, experience, some places, next history, amusement, and a lot more?

It is your definitely own mature to enactment reviewing habit. in the middle of guides you could enjoy now is **Geometrical And Mechanical Drawing Past Papers** below.

<https://py.bijouxmedusa.com/About/uploaded-files/Documents/Panorama%20Supersite%204th%20Edition%20Homework%20Answers.pdf>

Table of Contents Geometrical And Mechanical Drawing Past Papers

1. Understanding the eBook Geometrical And Mechanical Drawing Past Papers
 - The Rise of Digital Reading Geometrical And Mechanical Drawing Past Papers
 - Advantages of eBooks Over Traditional Books
2. Identifying Geometrical And Mechanical Drawing Past Papers
 - Exploring Different Genres
 - Considering Fiction vs. Non-Fiction
 - Determining Your Reading Goals
3. Choosing the Right eBook Platform
 - Popular eBook Platforms
 - Features to Look for in an Geometrical And Mechanical Drawing Past Papers
 - User-Friendly Interface
4. Exploring eBook Recommendations from Geometrical And Mechanical Drawing Past Papers
 - Personalized Recommendations
 - Geometrical And Mechanical Drawing Past Papers User Reviews and Ratings
 - Geometrical And Mechanical Drawing Past Papers and Bestseller Lists

5. Accessing Geometrical And Mechanical Drawing Past Papers Free and Paid eBooks
 - Geometrical And Mechanical Drawing Past Papers Public Domain eBooks
 - Geometrical And Mechanical Drawing Past Papers eBook Subscription Services
 - Geometrical And Mechanical Drawing Past Papers Budget-Friendly Options
6. Navigating Geometrical And Mechanical Drawing Past Papers eBook Formats
 - ePub, PDF, MOBI, and More
 - Geometrical And Mechanical Drawing Past Papers Compatibility with Devices
 - Geometrical And Mechanical Drawing Past Papers Enhanced eBook Features
7. Enhancing Your Reading Experience
 - Adjustable Fonts and Text Sizes of Geometrical And Mechanical Drawing Past Papers
 - Highlighting and Note-Taking Geometrical And Mechanical Drawing Past Papers
 - Interactive Elements Geometrical And Mechanical Drawing Past Papers
8. Staying Engaged with Geometrical And Mechanical Drawing Past Papers
 - Joining Online Reading Communities
 - Participating in Virtual Book Clubs
 - Following Authors and Publishers Geometrical And Mechanical Drawing Past Papers
9. Balancing eBooks and Physical Books Geometrical And Mechanical Drawing Past Papers
 - Benefits of a Digital Library
 - Creating a Diverse Reading Collection Geometrical And Mechanical Drawing Past Papers
10. Overcoming Reading Challenges
 - Dealing with Digital Eye Strain
 - Minimizing Distractions
 - Managing Screen Time
11. Cultivating a Reading Routine Geometrical And Mechanical Drawing Past Papers
 - Setting Reading Goals Geometrical And Mechanical Drawing Past Papers
 - Carving Out Dedicated Reading Time
12. Sourcing Reliable Information of Geometrical And Mechanical Drawing Past Papers
 - Fact-Checking eBook Content of Geometrical And Mechanical Drawing Past Papers
 - Distinguishing Credible Sources
13. Promoting Lifelong Learning

- Utilizing eBooks for Skill Development
- Exploring Educational eBooks

14. Embracing eBook Trends

- Integration of Multimedia Elements
- Interactive and Gamified eBooks

Geometrical And Mechanical Drawing Past Papers Introduction

In today's digital age, the availability of Geometrical And Mechanical Drawing Past Papers books and manuals for download has revolutionized the way we access information. Gone are the days of physically flipping through pages and carrying heavy textbooks or manuals. With just a few clicks, we can now access a wealth of knowledge from the comfort of our own homes or on the go. This article will explore the advantages of Geometrical And Mechanical Drawing Past Papers books and manuals for download, along with some popular platforms that offer these resources. One of the significant advantages of Geometrical And Mechanical Drawing Past Papers books and manuals for download is the cost-saving aspect. Traditional books and manuals can be costly, especially if you need to purchase several of them for educational or professional purposes. By accessing Geometrical And Mechanical Drawing Past Papers versions, you eliminate the need to spend money on physical copies. This not only saves you money but also reduces the environmental impact associated with book production and transportation. Furthermore, Geometrical And Mechanical Drawing Past Papers books and manuals for download are incredibly convenient. With just a computer or smartphone and an internet connection, you can access a vast library of resources on any subject imaginable. Whether you're a student looking for textbooks, a professional seeking industry-specific manuals, or someone interested in self-improvement, these digital resources provide an efficient and accessible means of acquiring knowledge. Moreover, PDF books and manuals offer a range of benefits compared to other digital formats. PDF files are designed to retain their formatting regardless of the device used to open them. This ensures that the content appears exactly as intended by the author, with no loss of formatting or missing graphics. Additionally, PDF files can be easily annotated, bookmarked, and searched for specific terms, making them highly practical for studying or referencing. When it comes to accessing Geometrical And Mechanical Drawing Past Papers books and manuals, several platforms offer an extensive collection of resources. One such platform is Project Gutenberg, a nonprofit organization that provides over 60,000 free eBooks. These books are primarily in the public domain, meaning they can be freely distributed and downloaded. Project Gutenberg offers a wide range of classic literature, making it an excellent resource for literature enthusiasts. Another popular platform for Geometrical And Mechanical Drawing Past Papers books and manuals is Open Library. Open Library is an initiative of the Internet Archive, a non-profit organization dedicated to digitizing cultural artifacts and making them

accessible to the public. Open Library hosts millions of books, including both public domain works and contemporary titles. It also allows users to borrow digital copies of certain books for a limited period, similar to a library lending system. Additionally, many universities and educational institutions have their own digital libraries that provide free access to PDF books and manuals. These libraries often offer academic texts, research papers, and technical manuals, making them invaluable resources for students and researchers. Some notable examples include MIT OpenCourseWare, which offers free access to course materials from the Massachusetts Institute of Technology, and the Digital Public Library of America, which provides a vast collection of digitized books and historical documents. In conclusion, Geometrical And Mechanical Drawing Past Papers books and manuals for download have transformed the way we access information. They provide a cost-effective and convenient means of acquiring knowledge, offering the ability to access a vast library of resources at our fingertips. With platforms like Project Gutenberg, Open Library, and various digital libraries offered by educational institutions, we have access to an ever-expanding collection of books and manuals. Whether for educational, professional, or personal purposes, these digital resources serve as valuable tools for continuous learning and self-improvement. So why not take advantage of the vast world of Geometrical And Mechanical Drawing Past Papers books and manuals for download and embark on your journey of knowledge?

FAQs About Geometrical And Mechanical Drawing Past Papers Books

What is a Geometrical And Mechanical Drawing Past Papers PDF? A PDF (Portable Document Format) is a file format developed by Adobe that preserves the layout and formatting of a document, regardless of the software, hardware, or operating system used to view or print it. **How do I create a Geometrical And Mechanical Drawing Past Papers PDF?** There are several ways to create a PDF: Use software like Adobe Acrobat, Microsoft Word, or Google Docs, which often have built-in PDF creation tools. Print to PDF: Many applications and operating systems have a "Print to PDF" option that allows you to save a document as a PDF file instead of printing it on paper. Online converters: There are various online tools that can convert different file types to PDF. **How do I edit a Geometrical And Mechanical Drawing Past Papers PDF?** Editing a PDF can be done with software like Adobe Acrobat, which allows direct editing of text, images, and other elements within the PDF. Some free tools, like PDFescape or Smallpdf, also offer basic editing capabilities. **How do I convert a Geometrical And Mechanical Drawing Past Papers PDF to another file format?** There are multiple ways to convert a PDF to another format: Use online converters like Smallpdf, Zamzar, or Adobe Acrobats export feature to convert PDFs to formats like Word, Excel, JPEG, etc. Software like Adobe Acrobat, Microsoft Word, or other PDF editors may have options to export or save PDFs in different formats. **How do I password-protect a Geometrical And Mechanical Drawing Past**

Papers PDF? Most PDF editing software allows you to add password protection. In Adobe Acrobat, for instance, you can go to "File" -> "Properties" -> "Security" to set a password to restrict access or editing capabilities. Are there any free alternatives to Adobe Acrobat for working with PDFs? Yes, there are many free alternatives for working with PDFs, such as: LibreOffice: Offers PDF editing features. PDFsam: Allows splitting, merging, and editing PDFs. Foxit Reader: Provides basic PDF viewing and editing capabilities. How do I compress a PDF file? You can use online tools like Smallpdf, I LovePDF, or desktop software like Adobe Acrobat to compress PDF files without significant quality loss. Compression reduces the file size, making it easier to share and download. Can I fill out forms in a PDF file? Yes, most PDF viewers/editors like Adobe Acrobat, Preview (on Mac), or various online tools allow you to fill out forms in PDF files by selecting text fields and entering information. Are there any restrictions when working with PDFs? Some PDFs might have restrictions set by their creator, such as password protection, editing restrictions, or print restrictions. Breaking these restrictions might require specific software or tools, which may or may not be legal depending on the circumstances and local laws.

Find Geometrical And Mechanical Drawing Past Papers :

panorama supersite 4th edition homework answers

oregon medical practice act questionnaire answers

osha standards for manual lifting

~~pascal for students including turbo pascal book pdf~~

optimization of coagulation flocculation process with

[our mission womens march](#)

[park psm 24th edition](#)

oxford bookworms pocahontas

partial differential equations asmar solutions manual pdf

[oxford university solutions pre intermediate test](#)

[pedigrees](#)

[paccar mx engines daf](#)

panduan blogspot lengkap xyvohupales wordpress

[painting miniature military figures](#)

over here the first world war and american society

Geometrical And Mechanical Drawing Past Papers :

Basic Stoichiometry PhET Lab.pdf - Name Basic Stoichiometry Post-Lab Homework Exercises 1. Load the "Reactants ... Required Evaluate each of the ideas giving strengths and weaknesses Answer 1. 106. PhET stoichiometry lab.doc - Name: Date: Basic... Basic Stoichiometry Post-Lab Homework Exercises 1. Load the "Reactants ... How does the observed color intensity depend on solution concentration? Q&A · I ran a ... Get Basic Stoichiometry Phet Lab Answer Key Pdf Complete Basic Stoichiometry Phet Lab Answer Key Pdf online with US Legal Forms. Easily fill out PDF blank, edit, and sign them. Save or instantly send your ... Name: Basic Stoichiometry PhET Lab Let's make some ... Apr 15, 2022 — Answer to Solved Name: Basic Stoichiometry PhET Lab Let's make some | Chegg.com. Basic Stoichiometry Phet Lab Answer Key PDF Form Basic Stoichiometry Phet Lab Worksheet Answers. Check out how easy it is to complete and eSign documents online using fillable templates and a powerful ... Basic Stoichiometry Phet Lab Answer Key Pdf Fill Basic Stoichiometry Phet Lab Answer Key Pdf, Edit online. Sign, fax and printable from PC, iPad, tablet or mobile with pdfFiller Instantly. Try Now! Basic Stoichiometry Basic Stoichiometry PhET Lab. Let's make some sandwiches! Introduction: When we ... Basic Stoichiometry Post-Lab Homework Exercises. 1. Load the "Reactants ... Sandwich Stoichiometry PHET | Assignments Chemistry Download Assignments - Sandwich Stoichiometry PHET This is an assignment for the PHET simulator. This is for chemistry. Theory Of Vibrations With Applications 5th Edition ... Access Theory of Vibrations with Applications 5th Edition solutions now. Our solutions are written by Chegg experts so you can be assured of the highest ... Theory of Vibration With Application 5th Solution PDF Theory of Vibration With Application 5th Solution PDF | PDF | Nature | Teaching Mathematics. Theory of Vibration With Application 5th Solution | PDF Theory of Vibration with application 5th Solution - Free ebook download as PDF File (.pdf) or read book online for free. Solution manual for the 5th edition ... Solutions to Theory of Vibration with Applications 5e ... These are my solutions to the fifth edition of Theory of Vibration with Applications by Thomson and Dahleh. Solution Manual-Theory of Vibration With Application-3rd- ... Solution Manual-Theory of Vibration With Application-3rd-Thomson. Solution Manual-Theory of Vibration With Application-3rd-Thomson. Theory of vibration with applications : solutions manual Theory of vibration with applications : solutions manual. Authors: William Tyrrell Thomson, Marie Dillon Dahleh. Front cover image for Theory of vibration ... (PDF) Theory of vibration with application 3rd solution Theory of vibration with application 3rd solution. Theory of Vibration with Applications: Solutions Manual Title, Theory of Vibration with Applications: Solutions Manual. Author, William Tyrrell Thomson. Edition, 2. Publisher, Prentice-Hall, 1981. Theory of Vibration with application 5th Solution - dokumen.tips DESCRIPTION. Solution manual for the 5th edition of theory of vibration with application. Citation preview. Page 1. Page 1: Theory of Vibration with ... Theory Of Vibration With Applications (Solutions Manual) Theory Of Vibration With Applications (Solutions Manual) by William T. Thomson - ISBN 10: 013914515X - ISBN 13: 9780139145155 - Prentice Hall - Softcover. Globalization and Culture: Global Mélange, Fourth

Edition An excellent introduction to the complex questions raised by globalization, culture, and hybridity. This book dismantles some of the dominant myths, offers the ... Globalization and Culture: Global Mélange Now updated with new chapters on culture and on populism, this seminal text disputes the view that we are experiencing a “clash of civilizations” as well as ... Globalization and Culture - Nederveen Pieterse, Jan: Books Internationally award-winning author Jan Nederveen Pieterse argues that what is taking place is the formation of a global mZlange, a culture of hybridization. Globalization and Culture - Jan Nederveen Pieterse Throughout, the book offers a comprehensive treatment of hybridization arguments, and, in discussing globalization and culture, unbundles the meaning of culture ... Globalization and Culture: Global Mélange (4th Edition) Now updated with new chapters on culture and on populism, this seminal text disputes the view that we are experiencing a “clash of civilizations” as well as ... Globalization and culture : global mélange "Now in a fully revised and updated edition, this seminal text asks if there is cultural life after the "clash of civilizations" and global McDonaldization. Globalization and Culture - Jan Nederveen Pieterse Globalization and Culture: Global Mélange by Jan Nederveen Pieterse - ISBN 10: 0742556069 - ISBN 13: 9780742556065 - Rowman & Littlefield Publishers - 2009 ... A Review of “Globalization And Culture: Global MéLange” Dec 23, 2020 — Globalization cannot be associated with uniformity either, as many of the diffusions associated with globalization acquire local characters ... Globalization and Culture: Global Mélange An excellent introduction to the complex questions raised by globalization, culture, and hybridity. This book dismantles some of the dominant myths, offers the ... Globalization and Culture - Jan Nederveen Pieterse Internationally award-winning author Jan Nederveen Pieterse argues that what is taking place is the formation of a global melange, a culture of hybridization.