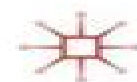
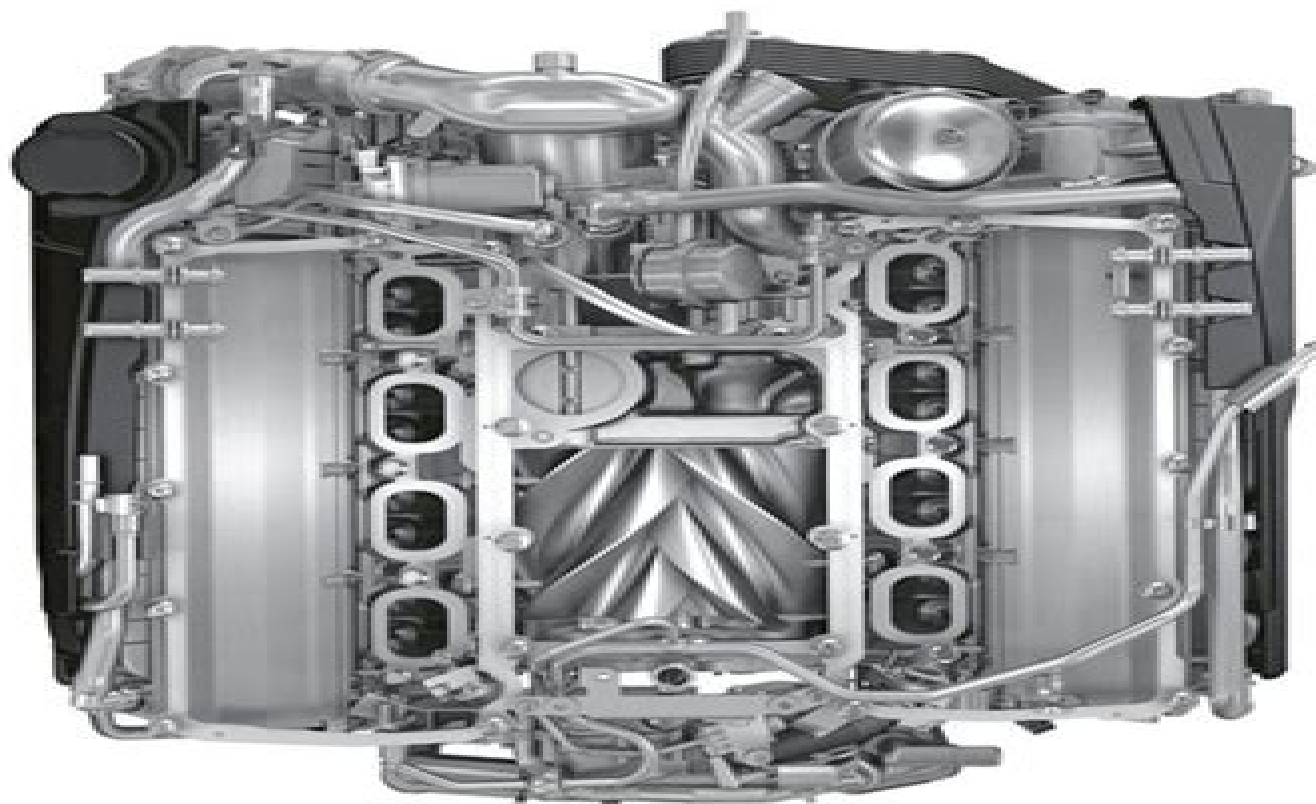


INTRODUCTION TO INTERNAL COMBUSTION ENGINES

RICHARD STONE

4th Edition



Introduction To Internal Combustion Engine Richard Stone

L Darling-Hammond



Introduction To Internal Combustion Engine Richard Stone:

Immerse yourself in heartwarming tales of love and emotion with Crafted by is touching creation, Experience Loveis Journey in **Introduction To Internal Combustion Engine Richard Stone** . This emotionally charged ebook, available for download in a PDF format (Download in PDF: *), is a celebration of love in all its forms. Download now and let the warmth of these stories envelop your heart.

<https://py.bijouxmedusa.com/results/book-search/default.aspx/Intermediate%20Accounting%2014th%20Edition%20Solutions%20Download.pdf>

Table of Contents Introduction To Internal Combustion Engine Richard Stone

1. Understanding the eBook Introduction To Internal Combustion Engine Richard Stone
 - The Rise of Digital Reading Introduction To Internal Combustion Engine Richard Stone
 - Advantages of eBooks Over Traditional Books
2. Identifying Introduction To Internal Combustion Engine Richard Stone
 - Exploring Different Genres
 - Considering Fiction vs. Non-Fiction
 - Determining Your Reading Goals
3. Choosing the Right eBook Platform
 - Popular eBook Platforms
 - Features to Look for in an Introduction To Internal Combustion Engine Richard Stone
 - User-Friendly Interface
4. Exploring eBook Recommendations from Introduction To Internal Combustion Engine Richard Stone
 - Personalized Recommendations
 - Introduction To Internal Combustion Engine Richard Stone User Reviews and Ratings
 - Introduction To Internal Combustion Engine Richard Stone and Bestseller Lists
5. Accessing Introduction To Internal Combustion Engine Richard Stone Free and Paid eBooks
 - Introduction To Internal Combustion Engine Richard Stone Public Domain eBooks
 - Introduction To Internal Combustion Engine Richard Stone eBook Subscription Services

- Introduction To Internal Combustion Engine Richard Stone Budget-Friendly Options
- 6. Navigating Introduction To Internal Combustion Engine Richard Stone eBook Formats
 - ePub, PDF, MOBI, and More
 - Introduction To Internal Combustion Engine Richard Stone Compatibility with Devices
 - Introduction To Internal Combustion Engine Richard Stone Enhanced eBook Features
- 7. Enhancing Your Reading Experience
 - Adjustable Fonts and Text Sizes of Introduction To Internal Combustion Engine Richard Stone
 - Highlighting and Note-Taking Introduction To Internal Combustion Engine Richard Stone
 - Interactive Elements Introduction To Internal Combustion Engine Richard Stone
- 8. Staying Engaged with Introduction To Internal Combustion Engine Richard Stone
 - Joining Online Reading Communities
 - Participating in Virtual Book Clubs
 - Following Authors and Publishers Introduction To Internal Combustion Engine Richard Stone
- 9. Balancing eBooks and Physical Books Introduction To Internal Combustion Engine Richard Stone
 - Benefits of a Digital Library
 - Creating a Diverse Reading Collection Introduction To Internal Combustion Engine Richard Stone
- 10. Overcoming Reading Challenges
 - Dealing with Digital Eye Strain
 - Minimizing Distractions
 - Managing Screen Time
- 11. Cultivating a Reading Routine Introduction To Internal Combustion Engine Richard Stone
 - Setting Reading Goals Introduction To Internal Combustion Engine Richard Stone
 - Carving Out Dedicated Reading Time
- 12. Sourcing Reliable Information of Introduction To Internal Combustion Engine Richard Stone
 - Fact-Checking eBook Content of Introduction To Internal Combustion Engine Richard Stone
 - Distinguishing Credible Sources
- 13. Promoting Lifelong Learning
 - Utilizing eBooks for Skill Development
 - Exploring Educational eBooks
- 14. Embracing eBook Trends

- Integration of Multimedia Elements
- Interactive and Gamified eBooks

Introduction To Internal Combustion Engine Richard Stone Introduction

In the digital age, access to information has become easier than ever before. The ability to download Introduction To Internal Combustion Engine Richard Stone has revolutionized the way we consume written content. Whether you are a student looking for course material, an avid reader searching for your next favorite book, or a professional seeking research papers, the option to download Introduction To Internal Combustion Engine Richard Stone has opened up a world of possibilities. Downloading Introduction To Internal Combustion Engine Richard Stone provides numerous advantages over physical copies of books and documents. Firstly, it is incredibly convenient. Gone are the days of carrying around heavy textbooks or bulky folders filled with papers. With the click of a button, you can gain immediate access to valuable resources on any device. This convenience allows for efficient studying, researching, and reading on the go. Moreover, the cost-effective nature of downloading Introduction To Internal Combustion Engine Richard Stone has democratized knowledge. Traditional books and academic journals can be expensive, making it difficult for individuals with limited financial resources to access information. By offering free PDF downloads, publishers and authors are enabling a wider audience to benefit from their work. This inclusivity promotes equal opportunities for learning and personal growth. There are numerous websites and platforms where individuals can download Introduction To Internal Combustion Engine Richard Stone. These websites range from academic databases offering research papers and journals to online libraries with an expansive collection of books from various genres. Many authors and publishers also upload their work to specific websites, granting readers access to their content without any charge. These platforms not only provide access to existing literature but also serve as an excellent platform for undiscovered authors to share their work with the world. However, it is essential to be cautious while downloading Introduction To Internal Combustion Engine Richard Stone. Some websites may offer pirated or illegally obtained copies of copyrighted material. Engaging in such activities not only violates copyright laws but also undermines the efforts of authors, publishers, and researchers. To ensure ethical downloading, it is advisable to utilize reputable websites that prioritize the legal distribution of content. When downloading Introduction To Internal Combustion Engine Richard Stone, users should also consider the potential security risks associated with online platforms. Malicious actors may exploit vulnerabilities in unprotected websites to distribute malware or steal personal information. To protect themselves, individuals should ensure their devices have reliable antivirus software installed and validate the legitimacy of the websites they are downloading from. In conclusion, the ability to download Introduction To Internal Combustion Engine Richard Stone has transformed the way we access information. With the convenience, cost-effectiveness, and accessibility it offers, free PDF

downloads have become a popular choice for students, researchers, and book lovers worldwide. However, it is crucial to engage in ethical downloading practices and prioritize personal security when utilizing online platforms. By doing so, individuals can make the most of the vast array of free PDF resources available and embark on a journey of continuous learning and intellectual growth.

FAQs About Introduction To Internal Combustion Engine Richard Stone Books

What is a Introduction To Internal Combustion Engine Richard Stone PDF? A PDF (Portable Document Format) is a file format developed by Adobe that preserves the layout and formatting of a document, regardless of the software, hardware, or operating system used to view or print it. **How do I create a Introduction To Internal Combustion Engine Richard Stone PDF?** There are several ways to create a PDF: Use software like Adobe Acrobat, Microsoft Word, or Google Docs, which often have built-in PDF creation tools. Print to PDF: Many applications and operating systems have a "Print to PDF" option that allows you to save a document as a PDF file instead of printing it on paper. Online converters: There are various online tools that can convert different file types to PDF. **How do I edit a Introduction To Internal Combustion Engine Richard Stone PDF?** Editing a PDF can be done with software like Adobe Acrobat, which allows direct editing of text, images, and other elements within the PDF. Some free tools, like PDFescape or Smallpdf, also offer basic editing capabilities. **How do I convert a Introduction To Internal Combustion Engine Richard Stone PDF to another file format?** There are multiple ways to convert a PDF to another format: Use online converters like Smallpdf, Zamzar, or Adobe Acrobats export feature to convert PDFs to formats like Word, Excel, JPEG, etc. Software like Adobe Acrobat, Microsoft Word, or other PDF editors may have options to export or save PDFs in different formats. **How do I password-protect a Introduction To Internal Combustion Engine Richard Stone PDF?** Most PDF editing software allows you to add password protection. In Adobe Acrobat, for instance, you can go to "File" -> "Properties" -> "Security" to set a password to restrict access or editing capabilities. Are there any free alternatives to Adobe Acrobat for working with PDFs? Yes, there are many free alternatives for working with PDFs, such as: LibreOffice: Offers PDF editing features. PDFsam: Allows splitting, merging, and editing PDFs. Foxit Reader: Provides basic PDF viewing and editing capabilities. How do I compress a PDF file? You can use online tools like Smallpdf, ILovePDF, or desktop software like Adobe Acrobat to compress PDF files without significant quality loss. Compression reduces the file size, making it easier to share and download. Can I fill out forms in a PDF file? Yes, most PDF viewers/editors like Adobe Acrobat, Preview (on Mac), or various online tools allow you to fill out forms in PDF files by selecting text fields and entering information. Are there any restrictions when working with PDFs? Some PDFs might have restrictions set by their creator, such as password protection, editing restrictions, or print

restrictions. Breaking these restrictions might require specific software or tools, which may or may not be legal depending on the circumstances and local laws.

Find Introduction To Internal Combustion Engine Richard Stone :

~~intermediate accounting 14th edition solutions download~~

introduction to general topology

introduction to instrumental analysis by robert d braun

introduction machine learning python scientists

introduction to analysis wade 4th

intermediate comprehension passages donn byrne answers

intermediate accounting 15th edition kieso pdf

indeterminate structural analysis by j sterling kinney

introduction to environmental engineering by davis and cornwell pdf book

inside im hurting practical strategies for supporting children with attachment difficulties in schools by louise bomber 2007

installation rules paper 1 pdf download

international relations theories 4th edition

~~industrial engineering production management by banga~~

~~introduction to information security cengage~~

interior design spring trends for 2017

Introduction To Internal Combustion Engine Richard Stone :

economics of strategy 6th edition besanko solutions manual - May 09 2022

web feb 10 2018 instructor s manual to accompany economics of strategy sixth edition economics of strategy 6th edition

besanko solutions manual full download at testbanklive com download economics of

economics of strategy 6th edition besanko solutions manual pdf - Dec 16 2022

web by reviewing the relevant literature we explore the strategies that multinational enterprises mnes follow to enter new markets in emerging economies finally we put the literature in test by presenting a case study of a clothing retail company that has been a platform for multinationals wishing to enter the market of mexico

solution manual economics of strategy 6th edition by david - Nov 15 2022

web aug 26 2017 solution manual economics of strategy 6th edition by david besanko link download testbankcollection com download solution manual economicsof strategy 6th edition test bank chapter 1

economics of strategy 7th edition wiley - Jan 05 2022

web description economics of strategy focuses on the key economic concepts students must master in order to develop a sound business strategy ideal for undergraduate managerial economics and business strategy courses economics of strategy offers a careful yet accessible translation of advanced economic concepts to practical problems facing

economics of strategy 6th edition textbook solutions chegg - Apr 20 2023

web economics of strategy 6th edition isbn 13 9781118273630 isbn authors david dranove mark shanley david besanko scott schaefer rent buy this is an alternate isbn view the primary isbn for economics of strategy 6th edition textbook solutions *economics of strategy 6th edition international student version* - Feb 18 2023

web the sixth edition of besanko s economics of strategy uses economic theory to bring new insights to popular topics in modern strategy by presenting basic concepts of economic theory with ideas in modern strategy literature this book provides readers with a logical framework for understanding the strategic activities within a firm

economics of strategy 6th edition besanko test bank - Aug 24 2023

web economics of strategy 6th edition besanko test bank free download as pdf file pdf text file txt or read online for free download full file at testbankuniv eu economics of strategy 6th edition besanko test bank *economics of strategy 6th edition besanko test bank pdf* - Jun 22 2023

web view economics of strategy 6th edition besanko test bank pdf from comm 493 203 at university of british columbia economics of strategy 6th edition besanko test bank full download upload to study

economics of strategy 6th edition besanko test bank - Jan 17 2023

web complete economics of strategy 6th edition besanko test bank package sourced directly from publisher inclusive of detailed solution manual testbank solutions digital copy zip file with doc docx pdf and rtf files covers all chapters fast delivery 30 minutes to 5 hours after payment 24 7 online chat

test bank economics of strategy 6 ed besanko - Sep 13 2022

web test bank for economics of strategy 6 edition besanko instantly access and download your orders

[economics of strategy 6th edition besanko test bank](#) - Mar 19 2023

web description economics of strategy 6th edition besanko test bank this is not the text book you are buying test bank for economics of strategy 6th edition by besanko test bank comes in a pdf or word format and available for download only *economics of strategy 6th edition besanko test bank 1 issuu* - Oct 14 2022

web aug 21 2023 download full economics of strategy 6th edition besanko test bank 1 at testbankpack com p economics of

strategy 6th edition besanko test bank 1 free download pdf

economics of strategy 6th edition besanko test bank icelark - Aug 12 2022

web download economics of strategy 6th edition besanko test bank instantly and printed pdf and if you re for more you re in the right place discover now

test bank for economics of strategy 6th edition by besanko issuu - May 21 2023

web aug 4 2018 test bank for economics of strategy 6th edition by besanko by lynlik45 issuu full clear download no error formatting at

test bank for economics of strategy 6th scribd - Jul 23 2023

web test bank for economics of strategy 6th edition david besanko david dranove scott schaefer mark shanley isbn

9781118543238 isbn 9781118441473 isbn 9781118273630 free download as pdf file pdf text file txt or read online for free

test bank for economics of strategy 6e besanko - Jul 11 2022

web test bank for economics of strategy 6th edition david besanko david dranove scott schaefer mark shanley isbn

9781118543238 isbn 9781118441473 isbn 9781118273630

test bank for economics of strategy 6th edition david besanko - Jun 10 2022

web test bank for economics of strategy 6th edition david besanko david dranove scott schaefer mark shanley isbn

9781118543238 isbn 9781118441473 isbn 9781118273630 test bank for 3 2 1 code it 2020 8th edition michelle green 55 00

test bank for economics of strategy 7th edition by dranove - Mar 07 2022

web ans d learning objective describe the operation of u s business up to 1840 aacsb analytic aicpa research ima strategic

planning heading the world in 1840 doing business in 1840 level medium 2 what was a key contribution to the dominance of the family run small business in 1840 a factories b infrastructure c raw materials

solutions for economics of strategy 6th edition scholaron com - Apr 08 2022

web solved expert answers for economics of strategy 6th edition by david besanko david dranove scott schaefer mark shanley

instant access with 24 7 expert assistance the role of government in the american economy 1st edition answers solved 100

textbook solutions isbn10 9780131450424 economics chapters 24 answers 251

economics of strategy 6th edition test bank book - Feb 06 2022

web economics of strategy 6th edition test bank is available in our digital library an online access to it is set as public so you can get it instantly our digital library spans in multiple locations allowing you to get the most less latency time to

kimmel financial accounting 6e answers chapter 10 - Feb 25 2022

web kimmel financial accounting tools for business decision making sixth edition determining ownership of goods can be complex because of situations like the following

solution manual for financial accounting 6e kimmel - Mar 09 2023

web kimmel financial accounting 6e answers chapter 10 pdf but end up in malicious downloads rather than enjoying a good book with a cup of tea in the afternoon instead

kimmel financial accounting 6e answers chapter 10 - Oct 24 2021

web 1 the purpose and use of financial statements 2 a further look at financial statements 3 the accounting information system 4 accrual accounting concepts

kimmel financial accounting 6e answers chapter 10 pdf - Dec 06 2022

web jul 29 2023 kimmel financial accounting 6e answers chapter 10 pdf is available in our book collection an online access to it is set as public so you can download it

kimmel financial accounting 6e studyguide ch06 chapter 6 - Jan 27 2022

web ebook management accounting 6e will seal 2018 10 30 ebook management accounting 6e intermediate accounting donald e kieso 2018 horngren s

accounting 6th edition solutions and answers quizlet - Jul 13 2023

web accounting in action chapter accounting in action assignment classification table brief exercises problems problems 11 1a 2a 4a 1b 2b 4b 10 11 1a 2a 4a 5a skip to

kimmel financial accounting 6e answers chapter 10 - Jan 07 2023

web may 7 2023 kimmel financial accounting 6e answers chapter 10 by online you might not require more get older to spend to go to the book initiation as well as search for

kimmel financial accounting 6e answers chapter 10 pdf copy - Sep 03 2022

web kimmel financial accounting 6e answers chapter 10 pdf pages 5 10 kimmel financial accounting 6e answers chapter 10 pdf upload suny m robertson 5 10

bookmark file kimmel financial accounting 6e answers chapter - Mar 29 2022

web kimmel financial accounting 6e answers chapter 10 author virtualevents straumann com 2023 09 11 10 26 55 subject kimmel financial

chapter 10 accounting 201 kimmel flashcards and study sets - May 11 2023

web the new 10th edition of financial accounting by weygandt kimmel and kieso continues to provide students with a clear and comprehensive introduction to financial accounting

financial accounting 10th edition textbook solutions bartleby - Apr 10 2023

web chapter 3 the accounting information system chapter 4 accrual accounting concepts chapter 5 merchandising operations and the multiple step income statement chapter

kimmel financial accounting 6e answers chapter 10 - Jul 01 2022

web apr 15 2023 kimmel financial accounting 6e answers chapter 10 1 7 downloaded from uniport edu ng on april 15 2023
by guest kimmel financial accounting 6e answers

ebook kimmel financial accounting 6e answers chapter 10 - Apr 29 2022

web aug 14 2023 kimmel financial accounting 6e answers chapter 10 as one of the most energetic sellers here will
extremely be in the middle of the best options to review 1001

kimmel financial accounting 6e answers chapter 10 pdf pdf - Feb 08 2023

web feb 5 2023 online library kimmel financial accounting 6e answers chapter 10 investment basic equity cost and fully
adjusted equity are presented in each chapter

kimmel financial accounting 6e solutions manual pdf - Dec 26 2021

web kimmel financial accounting paul d kimmel 1998 01 01 financial accounting jerry j weygandt 2013 11 18 more students
get accounting when using weygandt s financial

kimmel financial accounting 6e answers chapter 10 uniport edu - May 31 2022

web aug 20 2023 ebook kimmel financial accounting 6e answers chapter 10 free epub an introduction to medicinal
chemistry accounting an introduction 6 e

financial accounting weygandt kimmel kieso studocu - Jun 12 2023

web learn chapter 10 accounting 201 kimmel with free interactive flashcards choose from 500 different sets of chapter 10
accounting 201 kimmel flashcards on quizlet

kimmel financial accounting 6e answers chapter 10 pdf - Oct 04 2022

web kimmel financial accounting 6e answers chapter 10 pdf 1 1 downloaded from download sbrick com on january 20 2023
by guest kimmel financial accounting 6e

ebook kimmel financial accounting 6e answers chapter 10 pdf - Nov 05 2022

web may 28 2023 kimmel financial accounting 6e answers chapter 10 1 12 downloaded from uniport edu ng on may 28 2023
by guest kimmel financial accounting 6e

solution manual for financial accounting 6e kimmel - Sep 22 2021

financial accounting 6th edition textbook solutions - Aug 14 2023

web now with expert verified solutions from accounting 6th edition you ll learn how to solve your toughest homework
problems our resource for accounting includes answers to

kimmel financial accounting 6e answers 2022 engineering2 utsa - Nov 24 2021

web kimmel financial accounting 6e answers chapter 10 is genial in our digital library an online entrance to it is set as public fittingly you can download it instantly our digital

kimmel financial accounting 6e answers chapter 10 pdf copy - Aug 02 2022

web jun 8 2023 chapter 10 it is completely easy then presently we extend the associate to buy and create bargains to acquire and set up kimmel financial accounting 6e

mesleki yeterlilik belgesi nedir nasıl alınır szutest com tr - Nov 24 2021

web mesleki yeterlilik belgesi szutest uygunluk değerlendirme a Ş mesleki yeterlilik kurumu myk tarafından ulusal yeterliliklere göre sınav ve belgelendirme faaliyetlerini yürüten

meslek testi Ücretsiz uygulanabilir meslek testleri eduolog - Mar 29 2022

web mar 19 2021 70 lerde psikolog john l holland tarafından geliştirildi ne tür işler için uygun olabileceğinizi görmek için yapabileceğiniz kişilik testidir İnsanları 6 ana iş kategorisine

20 common eligibility worker interview questions and answers - Oct 04 2022

web mar 16 2023 20 common eligibility worker interview questions and answers common eligibility worker interview questions how to answer them and sample answers from a

eligibility human social services practice test study - Apr 10 2023

web eligibility technician exam study guide the eligibility technician exam study guide contains the tools to help you pass your exam included is a study and discussion

eligibility techniciansampletest download only - Dec 26 2021

web eligibility technician sample test phlebotomy technician ncpt certification national center for webroute 2 experience you have one year of verifiable full time experience as a

30 eligibility technician interview questions and answers - May 11 2023

web sep 9 2023 30 eligibility technician interview questions and answers common eligibility technician interview questions how to answer them and example answers

eligibility technician exam study guide practice test book - May 31 2022

web eligibility technician test preparation does practice sample exam the view below helps to further darstellen exactly what you can expect when you use dieser study

county of riverside class specification bulletin governmentjobs - Sep 03 2022

web the eligibility technician i is the entry level classification in the eligibility technician series and typically reports to an eligibility supervisor incumbents participate in

eligibility technician sample exam county of san luis obispo - Aug 14 2023

web merit system services sample eligibility worker i items reading and understanding written materials directions read each question c

role and responsibilities of an eligibility technician - Jan 27 2022

web eligibility technician responsibilities comprise screening understanding interviewing investigating compiling maintaining the records and determining the eligibility by

[eligibility technicians sample test copy dev sfcg](#) - Oct 24 2021

web medical technologist exam secrets ascencia test prep when children and adults apply for disability benefits and claim that a visual impairment has limited their ability to

icar technician mock test 2023 free practice online test - Sep 22 2021

web icar technician free mock test are you ready for the icar technician exam 2022 enhance your accuracy and speed with ixambee exclusive set of icar test series for

eligibility worker exam study guide book youtube - Aug 02 2022

web jul 19 2016 study guide book for the eligibility worker test includes sample practice exam download your copy today show more civilservicestudyguides c

[15 eligibility technician skills for your resume zippia](#) - Apr 29 2022

web jun 29 2023 below you ll find the most important eligibility technician skills we sorted the top eligibility technician skills based on the percentage of eligibility technician

[eligibility technician practice test career management](#) - Mar 09 2023

web oct 30 2011 by using an eligibility technician practice test to study you will be better prepared for your exam you will greatly increase your chances of passing and

eligibility technician exam study guide practice test - Jul 13 2023

web discover the best way to prepare for your eligibility technician exam the eligibility technician exam study guide book includes a sample test study and discussion

civil service eligibility worker exam youtube - Jan 07 2023

web may 20 2016 4 6k views 7 years ago eligibility social health and human services type test stu civilservicestudyguides c eligibility worker

[mss eligibility technician sample exam answer key studylib net](#) - Feb 08 2023

web mss eligibility technician sample exam answer key sample eligibility worker i items answer key reading and understanding written materials 1

[eligibility technician sample test pdf](#) - Jun 12 2023

Introduction To Internal Combustion Engine Richard Stone

web eligibility technician sample test free ase practice tests 2021 updated nov 30 2022 web for complete a series practice go to the a1 a8 practice test set with 800 questions for

bu İş mülakatı genel yetenek testinde sadece yüksek onedio - Feb 25 2022

web oct 5 2021 bu İş mülakatı genel yetenek testinde sadece yüksek zekaya sahip olanlar 15 15 yapabilecek ebru Çiftçi onedio editörü 05 10 2021 15 00 İş mülakatlarında

eligibility technician i alameda county california - Dec 06 2022

web the examination will consist of the following four steps a review of candidates applications to verify possession of minimum requirements

eligibility technician resume samples qwikresume - Jul 01 2022

web eligibility technician resume samples with headline objective statement description and skills examples download sample resume templates in pdf word formats

eligibility technician test civil service test study guide book - Nov 05 2022

web discover the best paths to prepare for your eligibility technician exam the eligibility technician exam survey direct book includes a sample examination students