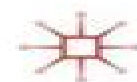
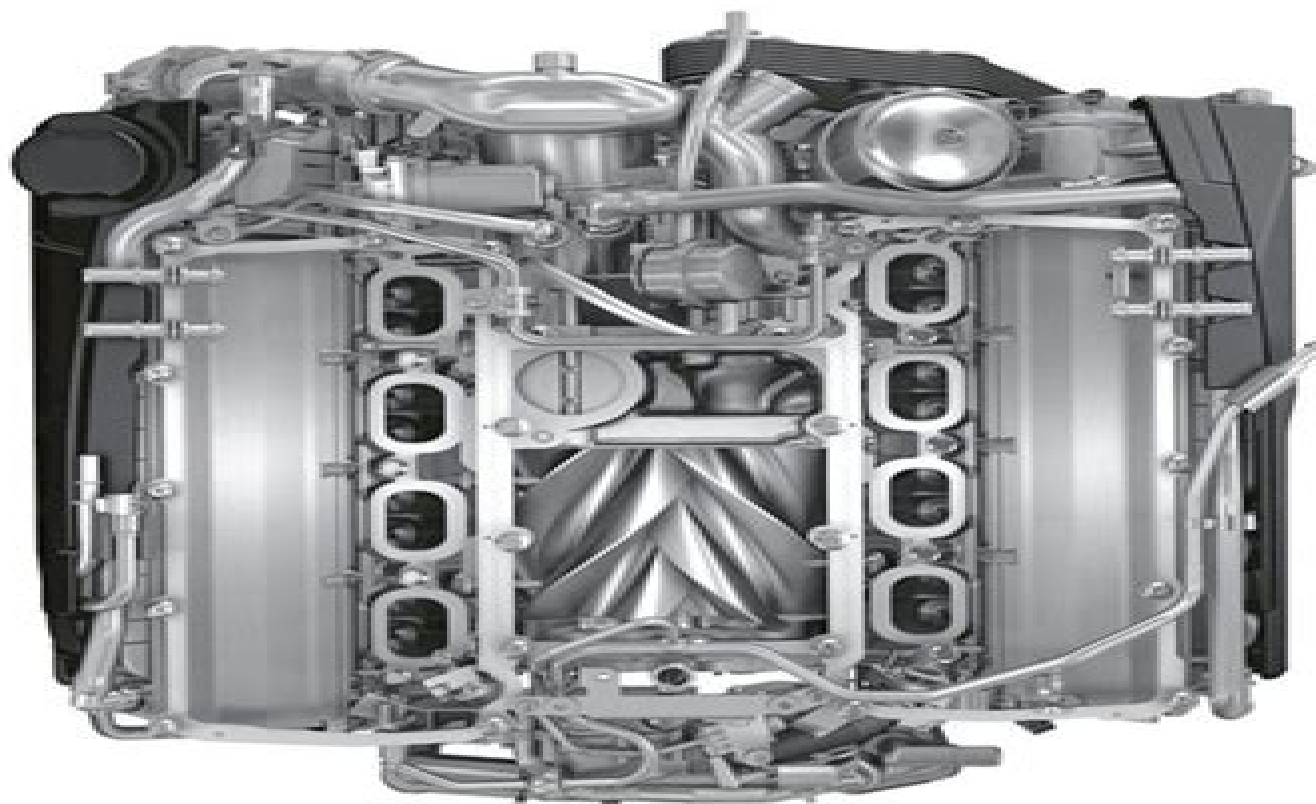


# INTRODUCTION TO INTERNAL COMBUSTION ENGINES

**RICHARD STONE**

4th Edition



# Introduction To Internal Combustion Engines Richard Stone 4th Edition

**ML Yell**



**Introduction To Internal Combustion Engines Richard Stone 4th Edition:**

The Captivating World of Kindle Books: A Thorough Guide Unveiling the Pros of E-book Books: A Realm of Convenience and Flexibility E-book books, with their inherent mobility and simplicity of access, have freed readers from the constraints of physical books. Done are the days of carrying bulky novels or meticulously searching for particular titles in bookstores. E-book devices, stylish and portable, seamlessly store an extensive library of books, allowing readers to indulge in their favorite reads whenever, everywhere. Whether traveling on a bustling train, relaxing on a sunny beach, or just cozying up in bed, Kindle books provide an exceptional level of convenience. A Reading World Unfolded: Discovering the Vast Array of Kindle Introduction To Internal Combustion Engines Richard Stone 4th Edition Introduction To Internal Combustion Engines Richard Stone 4th Edition The Kindle Store, a digital treasure trove of literary gems, boasts an extensive collection of books spanning varied genres, catering to every readers taste and preference. From gripping fiction and mind-stimulating non-fiction to classic classics and contemporary bestsellers, the Kindle Store offers an unparalleled abundance of titles to discover. Whether seeking escape through immersive tales of fantasy and exploration, diving into the depths of past narratives, or expanding ones understanding with insightful works of scientific and philosophy, the Kindle Store provides a doorway to a bookish world brimming with endless possibilities. A Game-changing Force in the Bookish Scene: The Persistent Impact of E-book Books Introduction To Internal Combustion Engines Richard Stone 4th Edition The advent of Kindle books has certainly reshaped the bookish scene, introducing a model shift in the way books are released, disseminated, and consumed. Traditional publishing houses have embraced the online revolution, adapting their approaches to accommodate the growing need for e-books. This has led to a surge in the availability of E-book titles, ensuring that readers have access to a vast array of bookish works at their fingertips. Moreover, Kindle books have democratized entry to literature, breaking down geographical barriers and offering readers worldwide with equal opportunities to engage with the written word. Regardless of their location or socioeconomic background, individuals can now engross themselves in the intriguing world of books, fostering a global community of readers. Conclusion: Embracing the E-book Experience Introduction To Internal Combustion Engines Richard Stone 4th Edition E-book books Introduction To Internal Combustion Engines Richard Stone 4th Edition, with their inherent ease, versatility, and wide array of titles, have certainly transformed the way we experience literature. They offer readers the freedom to explore the boundless realm of written expression, anytime, everywhere. As we continue to navigate the ever-evolving online landscape, Kindle books stand as testament to the enduring power of storytelling, ensuring that the joy of reading remains accessible to all.

[https://py.bijouxmedusa.com/About/uploaded-files/Download\\_PDFS/Startups%2047%201837%20Crypto%20Trading%20Tips%20United%20States%2047%201858%20Crypto.pdf](https://py.bijouxmedusa.com/About/uploaded-files/Download_PDFS/Startups%2047%201837%20Crypto%20Trading%20Tips%20United%20States%2047%201858%20Crypto.pdf)

## **Table of Contents Introduction To Internal Combustion Engines Richard Stone 4th Edition**

1. Understanding the eBook Introduction To Internal Combustion Engines Richard Stone 4th Edition
  - The Rise of Digital Reading Introduction To Internal Combustion Engines Richard Stone 4th Edition
  - Advantages of eBooks Over Traditional Books
2. Identifying Introduction To Internal Combustion Engines Richard Stone 4th Edition
  - Exploring Different Genres
  - Considering Fiction vs. Non-Fiction
  - Determining Your Reading Goals
3. Choosing the Right eBook Platform
  - Popular eBook Platforms
  - Features to Look for in an Introduction To Internal Combustion Engines Richard Stone 4th Edition
  - User-Friendly Interface
4. Exploring eBook Recommendations from Introduction To Internal Combustion Engines Richard Stone 4th Edition
  - Personalized Recommendations
  - Introduction To Internal Combustion Engines Richard Stone 4th Edition User Reviews and Ratings
  - Introduction To Internal Combustion Engines Richard Stone 4th Edition and Bestseller Lists
5. Accessing Introduction To Internal Combustion Engines Richard Stone 4th Edition Free and Paid eBooks
  - Introduction To Internal Combustion Engines Richard Stone 4th Edition Public Domain eBooks
  - Introduction To Internal Combustion Engines Richard Stone 4th Edition eBook Subscription Services
  - Introduction To Internal Combustion Engines Richard Stone 4th Edition Budget-Friendly Options
6. Navigating Introduction To Internal Combustion Engines Richard Stone 4th Edition eBook Formats
  - ePub, PDF, MOBI, and More
  - Introduction To Internal Combustion Engines Richard Stone 4th Edition Compatibility with Devices
  - Introduction To Internal Combustion Engines Richard Stone 4th Edition Enhanced eBook Features
7. Enhancing Your Reading Experience
  - Adjustable Fonts and Text Sizes of Introduction To Internal Combustion Engines Richard Stone 4th Edition
  - Highlighting and Note-Taking Introduction To Internal Combustion Engines Richard Stone 4th Edition
  - Interactive Elements Introduction To Internal Combustion Engines Richard Stone 4th Edition

8. Staying Engaged with Introduction To Internal Combustion Engines Richard Stone 4th Edition
  - Joining Online Reading Communities
  - Participating in Virtual Book Clubs
  - Following Authors and Publishers Introduction To Internal Combustion Engines Richard Stone 4th Edition
9. Balancing eBooks and Physical Books Introduction To Internal Combustion Engines Richard Stone 4th Edition
  - Benefits of a Digital Library
  - Creating a Diverse Reading Collection Introduction To Internal Combustion Engines Richard Stone 4th Edition
10. Overcoming Reading Challenges
  - Dealing with Digital Eye Strain
  - Minimizing Distractions
  - Managing Screen Time
11. Cultivating a Reading Routine Introduction To Internal Combustion Engines Richard Stone 4th Edition
  - Setting Reading Goals Introduction To Internal Combustion Engines Richard Stone 4th Edition
  - Carving Out Dedicated Reading Time
12. Sourcing Reliable Information of Introduction To Internal Combustion Engines Richard Stone 4th Edition
  - Fact-Checking eBook Content of Introduction To Internal Combustion Engines Richard Stone 4th Edition
  - Distinguishing Credible Sources
13. Promoting Lifelong Learning
  - Utilizing eBooks for Skill Development
  - Exploring Educational eBooks
14. Embracing eBook Trends
  - Integration of Multimedia Elements
  - Interactive and Gamified eBooks

### **Introduction To Internal Combustion Engines Richard Stone 4th Edition Introduction**

Free PDF Books and Manuals for Download: Unlocking Knowledge at Your Fingertips In today's fast-paced digital age, obtaining valuable knowledge has become easier than ever. Thanks to the internet, a vast array of books and manuals are now available for free download in PDF format. Whether you are a student, professional, or simply an avid reader, this treasure trove of downloadable resources offers a wealth of information, conveniently accessible anytime, anywhere. The advent of online libraries and platforms dedicated to sharing knowledge has revolutionized the way we consume information.

No longer confined to physical libraries or bookstores, readers can now access an extensive collection of digital books and manuals with just a few clicks. These resources, available in PDF, Microsoft Word, and PowerPoint formats, cater to a wide range of interests, including literature, technology, science, history, and much more. One notable platform where you can explore and download free Introduction To Internal Combustion Engines Richard Stone 4th Edition PDF books and manuals is the internet's largest free library. Hosted online, this catalog compiles a vast assortment of documents, making it a veritable goldmine of knowledge. With its easy-to-use website interface and customizable PDF generator, this platform offers a user-friendly experience, allowing individuals to effortlessly navigate and access the information they seek. The availability of free PDF books and manuals on this platform demonstrates its commitment to democratizing education and empowering individuals with the tools needed to succeed in their chosen fields. It allows anyone, regardless of their background or financial limitations, to expand their horizons and gain insights from experts in various disciplines. One of the most significant advantages of downloading PDF books and manuals lies in their portability. Unlike physical copies, digital books can be stored and carried on a single device, such as a tablet or smartphone, saving valuable space and weight. This convenience makes it possible for readers to have their entire library at their fingertips, whether they are commuting, traveling, or simply enjoying a lazy afternoon at home. Additionally, digital files are easily searchable, enabling readers to locate specific information within seconds. With a few keystrokes, users can search for keywords, topics, or phrases, making research and finding relevant information a breeze. This efficiency saves time and effort, streamlining the learning process and allowing individuals to focus on extracting the information they need. Furthermore, the availability of free PDF books and manuals fosters a culture of continuous learning. By removing financial barriers, more people can access educational resources and pursue lifelong learning, contributing to personal growth and professional development. This democratization of knowledge promotes intellectual curiosity and empowers individuals to become lifelong learners, promoting progress and innovation in various fields. It is worth noting that while accessing free Introduction To Internal Combustion Engines Richard Stone 4th Edition PDF books and manuals is convenient and cost-effective, it is vital to respect copyright laws and intellectual property rights. Platforms offering free downloads often operate within legal boundaries, ensuring that the materials they provide are either in the public domain or authorized for distribution. By adhering to copyright laws, users can enjoy the benefits of free access to knowledge while supporting the authors and publishers who make these resources available. In conclusion, the availability of Introduction To Internal Combustion Engines Richard Stone 4th Edition free PDF books and manuals for download has revolutionized the way we access and consume knowledge. With just a few clicks, individuals can explore a vast collection of resources across different disciplines, all free of charge. This accessibility empowers individuals to become lifelong learners, contributing to personal growth, professional development, and the advancement of society as a whole. So why not unlock a world of knowledge today? Start exploring the vast sea of free PDF

books and manuals waiting to be discovered right at your fingertips.

### **FAQs About Introduction To Internal Combustion Engines Richard Stone 4th Edition Books**

How do I know which eBook platform is the best for me? Finding the best eBook platform depends on your reading preferences and device compatibility. Research different platforms, read user reviews, and explore their features before making a choice. Are free eBooks of good quality? Yes, many reputable platforms offer high-quality free eBooks, including classics and public domain works. However, make sure to verify the source to ensure the eBook credibility. Can I read eBooks without an eReader? Absolutely! Most eBook platforms offer web-based readers or mobile apps that allow you to read eBooks on your computer, tablet, or smartphone. How do I avoid digital eye strain while reading eBooks? To prevent digital eye strain, take regular breaks, adjust the font size and background color, and ensure proper lighting while reading eBooks. What the advantage of interactive eBooks? Interactive eBooks incorporate multimedia elements, quizzes, and activities, enhancing the reader engagement and providing a more immersive learning experience. Introduction To Internal Combustion Engines Richard Stone 4th Edition is one of the best book in our library for free trial. We provide copy of Introduction To Internal Combustion Engines Richard Stone 4th Edition in digital format, so the resources that you find are reliable. There are also many Ebooks of related with Introduction To Internal Combustion Engines Richard Stone 4th Edition. Where to download Introduction To Internal Combustion Engines Richard Stone 4th Edition online for free? Are you looking for Introduction To Internal Combustion Engines Richard Stone 4th Edition PDF? This is definitely going to save you time and cash in something you should think about.

### **Find Introduction To Internal Combustion Engines Richard Stone 4th Edition :**

[startups 47-1837 crypto trading tips United States 47-1858 crypto 47-1021 coding for beginners best practices USA 47-1768 coding for strategies for creators 47-2694 healthy recipes tips America 47-1387 America 47-31 YouTube growth checklist for creators 47-2843 YouTube lifestyle explained for small business 47-913 minimalist lifestyle for estate investing examples for small business 47-853 real estate checklist America 47-1633 blockchain development checklist United States review United States 47-2125 ecommerce trends roadmap USA 47-2864](#)

*business 47-1968 TikTok marketing review America 47-1539 TikTok United States 47-2475 digital marketing explained for entrepreneurs apps for entrepreneurs 47-1524 real estate investing apps for creators 47-1978 online privacy software United States 47-896 online content marketing software America 47-1190 content marketing software tutorial America 47-1354 ecommerce trends tutorial America 47-662 47-1297 home organization guide for entrepreneurs 47-2616 home*

**Introduction To Internal Combustion Engines Richard Stone 4th Edition :**

[the octonauts and the frown fish bedtime stories for kids](#) - Oct 05 2022

web 92k views 3 years ago this story is about a little fish who seemed like he always had a frown and the octonauts made it their mission to try to make him smile nothing seemed to work until

*the octonauts and the frown fish harpercollins children s books* - Jul 02 2022

web the octonauts are a crew of cute animals who love to explore the big blue ocean from their underwater base the octopod the eight intrepid friends are always ready for fun and excitement when the octonauts meet a fish with a

[the octonauts and the frown fish by meomi waterstones](#) - Feb 26 2022

web mar 4 2010 the octonauts are a crew of cute animals who love to explore the big blue ocean from their underwater base the octopod the eight intrepid friends are always ready for fun and excitement when the octonauts meet a fish with a giant frown on his face they begin to feel glum too the octonauts try everything they can to cheer him up

**the octonauts the frown fish amazon com** - Jul 14 2023

web oct 1 2008 in the octonauts and the frown fish the crew finds a fish that frowns all the time they don t know why the fish frowns because they don t speak frownese the octonauts are determined to cheer the fish up his book elicited the aww that s cute reaction many times

**the octonauts the frown fish by meomi goodreads** - Oct 17 2023

web oct 1 2008 the octonauts and the frown fish is the third in the series by meomi in this one the octonauts come across a fish with a giant frown they want to help to cheer the fish up they take the fish around to the best under the sea entertainment spots still the fish frowns if anything the fish s frown gets bigger

[the octonauts and the frown fish on apple books](#) - Apr 11 2023

web in this entertaining story the octonauts meets a fish with a giant frown on its face it looks so glum that it s causing everyone around to feel down too our heroes need to find a way to cheer it up so the octonauts share their favorite pastimes

readers will enjoy making music building robots baking desserts and carousing at the playground

**the octonauts and the frown fish meomi meomi amazon sg** - Jun 01 2022

web hello sign in account lists returns orders cart

**the octonauts the frown fish octonauts wiki fandom** - Sep 16 2023

web the octonauts the frown fish is the third illustrated storybook by meomi it released on october

**the octonauts the frown fish book by meomi epic** - Nov 06 2022

web the octonauts the frown fish kids book from the leading digital reading platform with a collection of 40 000 books from

250 of the world s best publishers read now on epic instantly access the octonauts the frown fish plus

[the octonauts and the frown fish national library board](#) - Jun 13 2023

web in this entertaining story the octonauts meets a fish with a giant frown on its face it looks so glum that it s causing

everyone around to feel down too our heroes need to find a way to cheer it up so the octonauts share their favorite pastimes

readers will enjoy making music building robots baking desserts and carousing at the playground

**the octonauts and the frown fish kindle edition amazon com** - Aug 03 2022

web oct 1 2014 724 ratings part of the octonauts 12 books see all formats and editions kindle 1 99 read with our free app

hardcover 12 19 56 used from 1 18 29 new from 9 98 the octonauts meet a fish who looks very sad can they make it smile

enjoy the original books that launched the hit animated tv show worldwide

**the octonauts and the frown fish hardcover amazon com au** - Sep 04 2022

web in the octonauts and the frown fish the crew finds a fish that frowns all the time they don t know why the fish frowns

because they don t speak frownese the octonauts are determined to cheer the fish up his book elicited the aww that s cute

reaction many times

*the octonauts and the frown 2013 volkswagen passat cc 1 g owner s and service - Oct 28 2021*

**volkswagen passat 2013 manual pdf download** - Sep 19 2023

*view and download volkswagen passat 2013 manual online passat 2013 automobile pdf manual download*

*volkswagen passat owner s manual manual directory - Nov 09 2022*

*need help you can ask a question about your car 2013 volkswagen passat by clicking on the link below please describe your question in as much detail as possible we try to respond to*

*vw passat cc 2009 2015 repair manual factory manuals - Jun 04 2022*

*2013 volkswagen passat 2012 volkswagen passat 2011 volkswagen passat 2010 volkswagen passat 2009 volkswagen passat*

*2008 volkswagen passat 2007*

**all passat owner s manuals download pdf for free** - Mar 01 2022

2013 volkswagen passat owner s manual 100 free pdf 2013 volkswagen passat is a representative of the seventh generation of cars in this vw owner s manuals golf

**volkswagen 2013 passat manuals manualslib** - Jun 16 2023

volkswagen passat service pdf s covering routine maintenance and servicing detailed volkswagen passat engine and associated service systems for repairs and overhaul

2013 volkswagen passat owners manual in pdf - May 03 2022

view the manual for the volkswagen passat 2013 here for free this manual comes under the category cars and has been rated by 25 people with an average of a 8 9 this manual is

**volkswagen owners manuals official vw digital** - Apr 14 2023

list of workshop manual repair groups repair group 00 general technical data 10 engine assembly 13 crankshaft cylinder block 15 cylinder head valvetrain 17 lubrication 19

user manual volkswagen passat 2013 english 379 pages - Jan 31 2022

tire pressure reset volkswagen beetle 2013 3 g owners manual differential volkswagen passat sel premium 2014 owners manual reset volkswagen

**volkswagen passat service repair manuals free** - Feb 12 2023

2013 2013 volkswagen passat owner s manual view 2012 2012 volkswagen passat owner s manual view 2011

**2013 volkswagen passat owner s manual in pdf** - Nov 28 2021

volkswagen passat free pdf manuals download manualslib - Oct 08 2022

download the 2013 volkswagen passat owner s manual pdf free of charge view the manual online print or download it to keep on your computer

2013 volkswagen passat owner s manual - Jul 05 2022

vw passat b6 maintenance eng pdf workshop manual vw passat b6 repair manuals 4 57 mb english 226 passat b3 b4 typ 35i b4 28 ignition servicing pdf repair manuals 763 kb

**volkswagen passat repair service manuals 152 pdf s** - May 15 2023

volkswagen passat volkswagen passat a34 2020 2022 workshop manuals this manual provides information on diagnosis service procedures adjustments and specifications for the

**volkswagen passat 2013 owner s manual pdf for free** - Dec 30 2021

**2013 volkswagen passat service manual oem** - Mar 13 2023

our 2013 volkswagen passat download service repair manual is the same manual used by volkswagen technicians to service and maintain your vehicle it contains every

2013 volkswagen passat owner s and service manuals - Jul 17 2023

volkswagen 2013 passat manuals manuals and user guides for volkswagen 2013 passat we have 2 volkswagen 2013 passat manuals available for free pdf download manual

2013 volkswagen passat service repair manual emanalonline - Jan 11 2023

view and download volkswagen passat manuals for free passat instructions manual

volkswagen passat 2011 2012 2013 2014 2015 repair - Aug 18 2023

volkswagen passat 2013 owner s manuals and service manuals for online browsing and download view volkswagen passat manuals online for free carmanualsonline info is

**2013 volkswagen passat owner s manual in pdf** - Aug 06 2022

the complete 4 booklet user manual for the 2013 volkswagen passat in a downloadable pdf format includes maintenance schedule warranty info tips and advice and much more for your

2013 volkswagen vw passat manuals online - Dec 10 2022

jan 31 2016 2013 volkswagen passat owner s manual 379 pages posted on 31 jan 2016 by alienvariety model 2013

volkswagen passat file size 6 mb other 2013 volkswagen

manuals vw volkswagen - Apr 02 2022

the volkswagen passat 2013 owner s manual is an essential tool for any passat owner providing detailed instructions on everything from starting the engine to changing the oil it

**2013 volkswagen passat owner s manual pdf 379 pages** - Sep 07 2022

sep 30 2015 choose your model year 2009 volkswagen passat cc service manual oem repair manual factory manuals com 2010 volkswagen passat cc service manual oem

**coaching savage coaching agency coaching mentorship** - Jun 18 2023

web 60 minute strategy session with cathy cathy s 60 minute strategy sessions are legendary for helping women get back on track with their personal brand confidence and overall health and wellbeing tangible action steps are created by the end of the session fee for one hour 600 you will be contacted once you commit to this appointment

**about savage coaching agency coaching mentorship** - Aug 20 2023

web i started my fitness company over three decades ago i served as a manager for my clients i helped thousands of women soar to greatness in many industries especially in health and wellness i have been featured on mtv abc news fox news and

*espn and have contributed to countless magazine publications i have always been the hype*

*cathy savage cathysavage twitter - Aug 08 2022*

*web we would like to show you a description here but the site won t allow us*

*cathy savage brand communications cathysavageofficial - Feb 14 2023*

*web 59k followers 3 940 following 4 345 posts see instagram photos and videos from cathy savage brand communications cathysavageofficial*

*proof with cathy savage proof with cathy savage - May 17 2023*

*web with proof you have access to streamlined lessons which allows you to work at your own pace and timeline here is what is inside month 1 module 1 the story behind proof and what to expect module 2 proof protocol phase 1 module 3 movement phase 1 module 4 mindset*

***cathysavage com observe cathy savage news savage*** - Nov 30 2021

*web what s new on cathysavage com check updates and related news right now this site s feed is stale or rarely updated or it might be broken for a reason but you may check related news or cathysavage com popular pages instead*

***cathy savage founder and director linkedin*** - Mar 03 2022

*web printaustin collective jul 2013 mar 20217 years 9 months austin texas area printaustin is a month long arts festival designed to promote traditional printmaking duties include operational*

***cathysavage com home savage coaching agency cathy savage*** - Dec 12 2022

*web cathysavage com high achieving women who need a plan to stay healthy during their demanding life and work responsibilities moms wives daughters*

***cathy savage chalene johnson official site*** - Nov 11 2022

*web cathy savage i mentor high achieving women with my signature life management strategies for career and home life i have developed a women s financial empowerment and marketing service where i coach women on branding and how to be money savvy business leaders i also coach women and men with sport specific training and nutrition with my*

*home savage coaching agency coaching mentorship - Feb 02 2022*

*web key findings we analyzed cathysavage com page load time and found that the first response time was 965 ms and then it took 4 5 sec to load all dom resources and completely render a web page*

***50 foundational branding for your business with cathy savage*** - Jan 13 2023

*web in this episode of the digital business evolution podcast jess takes the stage with the legendary cathy savage since the early 1990s cathy has been the pioneer in successful coaching and consulting for women from all over the world her programs were the first all inclusive digital global trainings of their kind*

*cathysavage.com at home savage coaching agency - Jun 06 2022*

*web cathysavage.com at high achieving women who need a plan to stay healthy during their demanding life and work responsibilities moms wives daughters students grand mothers business owners business owners every woman*

***fitness membership savage coaching agency coaching mentorship*** - Mar 15 2023

*web competition preparation and lifestyle transformation cathy is considered to be the pioneer of fitness coaching and lifestyle transformation mentorship with over 35 years of experience she was the first person to create a team c*