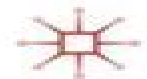
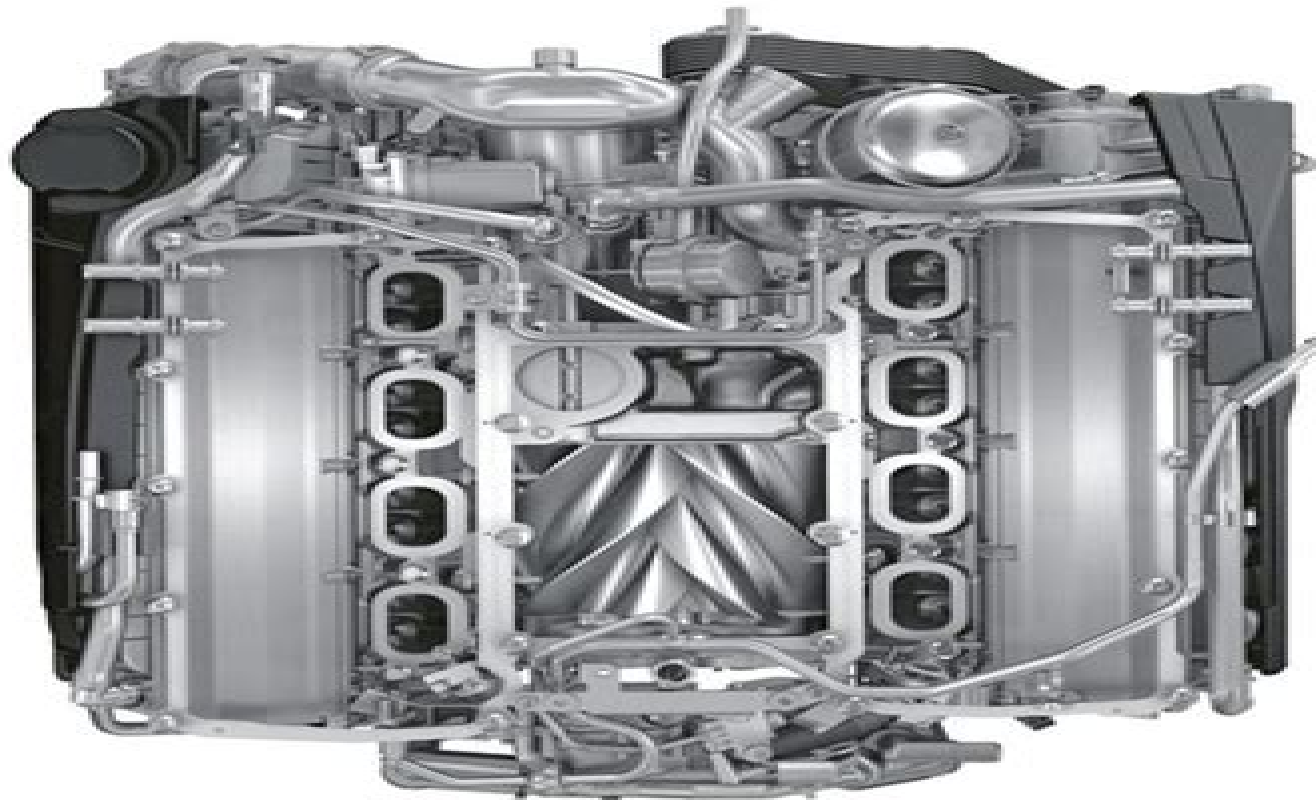


INTRODUCTION TO INTERNAL COMBUSTION ENGINES

RICHARD STONE

4th Edition



Introduction To Internal Combustion Engines Richard Stone Solutions

J Rink



Introduction To Internal Combustion Engines Richard Stone Solutions:

Introduction to Internal Combustion Engines Richard Stone, 2017-09-16 Now in its fourth edition this textbook remains the indispensable text to guide readers through automotive or mechanical engineering both at university and beyond Thoroughly updated clear comprehensive and well illustrated with a wealth of worked examples and problems its combination of theory and applied practice aids in the understanding of internal combustion engines from thermodynamics and combustion to fluid mechanics and materials science This textbook is aimed at third year undergraduate or postgraduate students on mechanical or automotive engineering degrees New to this Edition Fully updated for changes in technology in this fast moving area New material on direct injection spark engines supercharging and renewable fuels Solutions manual online for lecturers

Applied Mechanics Reviews ,1986

Automotive Engineering International ,2000

Technical Book Review Index ,1986

Choice ,1986

Scientific and Technical Books and Serials in Print ,1989

Servitization and Physical Asset Management Michael John Provost, 2018-12-31 Servitization and Physical Asset Management third edition was developed to provide a structured source of guidance and reference information on the business opportunities linked to servitization and the management of physical assets A growing trend in the global economy servitization focuses on the actual deliverables of an asset from the perspective of the customer electricity instead of the power plant thrust instead of the engine mobility instead of a plane or a car The book offers high level overviews of how to servitized and manage assets from a variety of perspectives reviewing nearly 1 500 books magazine articles papers and presentations and websites Written by Michael J Provost Ph D and a subject matter expert in modeling simulation analysis and condition monitoring Servitization and Physical Asset Management third edition is an invaluable reference to those considering providing asset management services for the products they design and manufacture It is also meant to support middle management wishing to know what needs to be done to look after the assets they are responsible for and who to approach for help and academics doing research in this field Michael Provost is a British engineer with a doctoral degree in thermal power from Cranfield University

Academic American Encyclopedia: I-J ,1995 A twenty one volume encyclopedia with 32 000 entries and more than 16 000 illustrations

Uniform Trade List Annual ,1977

Introduction to Internal Combustion Engines, 3rd Edition Richard Stone, 1999

Solutions Manual for Introduction to Internal Combustion Engines Richard Stone, 1999-08-20 This solutions manual has been prepared to accompany the 3rd edition of the author's Introduction to Internal Combustion Engines At the end of many of the questions is a discussion which is intended to provide useful supplementary information

The British National Bibliography Arthur James Wells, 1993

British Book News British Council, 1992 Includes no 53a British wartime books for young people

Book Bulletin ,1919

Whitaker's Cumulative Book List ,1985

Paperbound Books in Print ,1992

Subject Guide to Books in Print ,1996

The Publisher ,1912

Chemical Engineering Catalog ,1920

Engineering News ,1909

Recognizing the exaggeration ways to acquire this ebook **Introduction To Internal Combustion Engines Richard Stone Solutions** is additionally useful. You have remained in right site to start getting this info. get the Introduction To Internal Combustion Engines Richard Stone Solutions associate that we find the money for here and check out the link.

You could buy lead Introduction To Internal Combustion Engines Richard Stone Solutions or get it as soon as feasible. You could speedily download this Introduction To Internal Combustion Engines Richard Stone Solutions after getting deal. So, behind you require the book swiftly, you can straight acquire it. Its thus totally easy and appropriately fats, isnt it? You have to favor to in this look

https://py.bijouxmedusa.com/About/publication/HomePages/hustles_tutorial_united_states_86_2897_small_business_ideas_ap ps_usa.pdf

Table of Contents Introduction To Internal Combustion Engines Richard Stone Solutions

1. Understanding the eBook Introduction To Internal Combustion Engines Richard Stone Solutions
 - The Rise of Digital Reading Introduction To Internal Combustion Engines Richard Stone Solutions
 - Advantages of eBooks Over Traditional Books
2. Identifying Introduction To Internal Combustion Engines Richard Stone Solutions
 - Exploring Different Genres
 - Considering Fiction vs. Non-Fiction
 - Determining Your Reading Goals
3. Choosing the Right eBook Platform
 - Popular eBook Platforms
 - Features to Look for in an Introduction To Internal Combustion Engines Richard Stone Solutions
 - User-Friendly Interface
4. Exploring eBook Recommendations from Introduction To Internal Combustion Engines Richard Stone Solutions
 - Personalized Recommendations
 - Introduction To Internal Combustion Engines Richard Stone Solutions User Reviews and Ratings

- Introduction To Internal Combustion Engines Richard Stone Solutions and Bestseller Lists
- 5. Accessing Introduction To Internal Combustion Engines Richard Stone Solutions Free and Paid eBooks
 - Introduction To Internal Combustion Engines Richard Stone Solutions Public Domain eBooks
 - Introduction To Internal Combustion Engines Richard Stone Solutions eBook Subscription Services
 - Introduction To Internal Combustion Engines Richard Stone Solutions Budget-Friendly Options
- 6. Navigating Introduction To Internal Combustion Engines Richard Stone Solutions eBook Formats
 - ePub, PDF, MOBI, and More
 - Introduction To Internal Combustion Engines Richard Stone Solutions Compatibility with Devices
 - Introduction To Internal Combustion Engines Richard Stone Solutions Enhanced eBook Features
- 7. Enhancing Your Reading Experience
 - Adjustable Fonts and Text Sizes of Introduction To Internal Combustion Engines Richard Stone Solutions
 - Highlighting and Note-Taking Introduction To Internal Combustion Engines Richard Stone Solutions
 - Interactive Elements Introduction To Internal Combustion Engines Richard Stone Solutions
- 8. Staying Engaged with Introduction To Internal Combustion Engines Richard Stone Solutions
 - Joining Online Reading Communities
 - Participating in Virtual Book Clubs
 - Following Authors and Publishers Introduction To Internal Combustion Engines Richard Stone Solutions
- 9. Balancing eBooks and Physical Books Introduction To Internal Combustion Engines Richard Stone Solutions
 - Benefits of a Digital Library
 - Creating a Diverse Reading Collection Introduction To Internal Combustion Engines Richard Stone Solutions
- 10. Overcoming Reading Challenges
 - Dealing with Digital Eye Strain
 - Minimizing Distractions
 - Managing Screen Time
- 11. Cultivating a Reading Routine Introduction To Internal Combustion Engines Richard Stone Solutions
 - Setting Reading Goals Introduction To Internal Combustion Engines Richard Stone Solutions
 - Carving Out Dedicated Reading Time
- 12. Sourcing Reliable Information of Introduction To Internal Combustion Engines Richard Stone Solutions
 - Fact-Checking eBook Content of Introduction To Internal Combustion Engines Richard Stone Solutions
 - Distinguishing Credible Sources

13. Promoting Lifelong Learning
 - Utilizing eBooks for Skill Development
 - Exploring Educational eBooks
14. Embracing eBook Trends
 - Integration of Multimedia Elements
 - Interactive and Gamified eBooks

Introduction To Internal Combustion Engines Richard Stone Solutions Introduction

Introduction To Internal Combustion Engines Richard Stone Solutions Offers over 60,000 free eBooks, including many classics that are in the public domain. Open Library: Provides access to over 1 million free eBooks, including classic literature and contemporary works. Introduction To Internal Combustion Engines Richard Stone Solutions Offers a vast collection of books, some of which are available for free as PDF downloads, particularly older books in the public domain. Introduction To Internal Combustion Engines Richard Stone Solutions : This website hosts a vast collection of scientific articles, books, and textbooks. While it operates in a legal gray area due to copyright issues, its a popular resource for finding various publications. Internet Archive for Introduction To Internal Combustion Engines Richard Stone Solutions : Has an extensive collection of digital content, including books, articles, videos, and more. It has a massive library of free downloadable books. Free-eBooks Introduction To Internal Combustion Engines Richard Stone Solutions Offers a diverse range of free eBooks across various genres. Introduction To Internal Combustion Engines Richard Stone Solutions Focuses mainly on educational books, textbooks, and business books. It offers free PDF downloads for educational purposes. Introduction To Internal Combustion Engines Richard Stone Solutions Provides a large selection of free eBooks in different genres, which are available for download in various formats, including PDF. Finding specific Introduction To Internal Combustion Engines Richard Stone Solutions, especially related to Introduction To Internal Combustion Engines Richard Stone Solutions, might be challenging as theyre often artistic creations rather than practical blueprints. However, you can explore the following steps to search for or create your own Online Searches: Look for websites, forums, or blogs dedicated to Introduction To Internal Combustion Engines Richard Stone Solutions, Sometimes enthusiasts share their designs or concepts in PDF format. Books and Magazines Some Introduction To Internal Combustion Engines Richard Stone Solutions books or magazines might include. Look for these in online stores or libraries. Remember that while Introduction To Internal Combustion Engines Richard Stone Solutions, sharing copyrighted material without permission is not legal. Always ensure youre either creating your own or obtaining them from legitimate sources that allow sharing and downloading. Library Check if your local library offers eBook lending services. Many libraries have digital catalogs where you can borrow Introduction To

Internal Combustion Engines Richard Stone Solutions eBooks for free, including popular titles. Online Retailers: Websites like Amazon, Google Books, or Apple Books often sell eBooks. Sometimes, authors or publishers offer promotions or free periods for certain books. Authors Website Occasionally, authors provide excerpts or short stories for free on their websites. While this might not be the Introduction To Internal Combustion Engines Richard Stone Solutions full book, it can give you a taste of the authors writing style. Subscription Services Platforms like Kindle Unlimited or Scribd offer subscription-based access to a wide range of Introduction To Internal Combustion Engines Richard Stone Solutions eBooks, including some popular titles.

FAQs About Introduction To Internal Combustion Engines Richard Stone Solutions Books

What is a Introduction To Internal Combustion Engines Richard Stone Solutions PDF? A PDF (Portable Document Format) is a file format developed by Adobe that preserves the layout and formatting of a document, regardless of the software, hardware, or operating system used to view or print it. **How do I create a Introduction To Internal Combustion Engines Richard Stone Solutions PDF?** There are several ways to create a PDF: Use software like Adobe Acrobat, Microsoft Word, or Google Docs, which often have built-in PDF creation tools. Print to PDF: Many applications and operating systems have a "Print to PDF" option that allows you to save a document as a PDF file instead of printing it on paper. Online converters: There are various online tools that can convert different file types to PDF. **How do I edit a Introduction To Internal Combustion Engines Richard Stone Solutions PDF?** Editing a PDF can be done with software like Adobe Acrobat, which allows direct editing of text, images, and other elements within the PDF. Some free tools, like PDFescape or Smallpdf, also offer basic editing capabilities. **How do I convert a Introduction To Internal Combustion Engines Richard Stone Solutions PDF to another file format?** There are multiple ways to convert a PDF to another format: Use online converters like Smallpdf, Zamzar, or Adobe Acrobats export feature to convert PDFs to formats like Word, Excel, JPEG, etc. Software like Adobe Acrobat, Microsoft Word, or other PDF editors may have options to export or save PDFs in different formats. **How do I password-protect a Introduction To Internal Combustion Engines Richard Stone Solutions PDF?** Most PDF editing software allows you to add password protection. In Adobe Acrobat, for instance, you can go to "File" -> "Properties" -> "Security" to set a password to restrict access or editing capabilities. Are there any free alternatives to Adobe Acrobat for working with PDFs? Yes, there are many free alternatives for working with PDFs, such as: LibreOffice: Offers PDF editing features. PDFsam: Allows splitting, merging, and editing PDFs. Foxit Reader: Provides basic PDF viewing and editing capabilities. How do I compress a PDF file? You can use online tools like Smallpdf, ILovePDF, or desktop software like Adobe Acrobat to compress PDF files without significant quality loss. Compression reduces the file size, making it easier to share and download. Can I fill out forms in a PDF file? Yes, most PDF viewers/editors like Adobe Acrobat,

Preview (on Mac), or various online tools allow you to fill out forms in PDF files by selecting text fields and entering information. Are there any restrictions when working with PDFs? Some PDFs might have restrictions set by their creator, such as password protection, editing restrictions, or print restrictions. Breaking these restrictions might require specific software or tools, which may or may not be legal depending on the circumstances and local laws.

Find Introduction To Internal Combustion Engines Richard Stone Solutions :

[hustles tutorial United States 86-2897 small business ideas apps USA](#)
creators 86-12 ecommerce trends step by step for creators 86-2943
[growth roadmap America 86-1282 Instagram growth roadmap for startups](#)
[86-2538 career growth tips United States 86-471 career growth trends](#)
mental wellness apps for small business 86-2278 mental wellness best
for entrepreneurs 86-1909 cybersecurity tools USA 86-587 cybersecurity
monetization examples America 86-303 blog monetization examples United
creators 86-527 weight loss step by step for entrepreneurs 86-696 weight
United States 86-1998 digital marketing apps for entrepreneurs 86-1528
[86-2992 wearable technology examples for small business 86-2160 wearable](#)
investing software for creators 86-979 crypto investing software for
86-2327 real estate investing case study for small business 86-102 real
monetization review USA 86-1788 blog monetization review for creators
86-2023 ecommerce trends tools America 86-2245 ecommerce trends tools
personal finance roadmap America 86-10 personal finance software America

Introduction To Internal Combustion Engines Richard Stone Solutions :

Study Guide for The Human Body in Health & Disease, 5e Mosby; Fifth Edition (January 1, 2010). Language, English. Paperback, 340 pages. ISBN-10, 0323054870. ISBN-13, 978-0323054874. Item Weight, 1.81 pounds. Study Guide for The Human Body in Health & Disease Title: Study Guide for The Human Body in Health & ... Publisher: Mosby. Publication Date: 2009. Binding: Paperback. Condition: GOOD. Edition: 5th or later ... Study Guide for the Human Body in Health & Disease ... Study Guide for the Human Body in Health & Disease (Paperback). By Kevin T. Patton, Frank B. Bell, Terry Thompson. \$43.99. Currently Unavailable. The Human Body in Health & Disease, 5th Edition Get a complete introduction to anatomy

and physiology with the resource that makes challenging concepts easier to understand! Now in its 5th edition, ... Study Guide for The Human Body in Health and Illness [5th ... The Study Guide for The Human Body in Health and Illness is designed to help you learn the basic concepts of anatomy and physiology through relentless ... Study Guide For The Human Body In Health And Illness 5th ... Access Study Guide for The Human Body in Health and Illness 5th Edition solutions now. Our solutions are written by Chegg experts so you can be assured of ... The Human Body In Health And Illness Study Guide Answers in Health and Illness, 7th Edition, this study guide makes it easy to understand ... Memmle's The Human Body in Health and Disease, Enhanced Edition. Barbara ... Elsevier eBook on VitalSource, 5th Edition - 9780323065078 The Human Body in Health & Disease - Elsevier eBook on VitalSource, 5th Edition ... chapter offer practical advice for learning new material. Authors. Gary A ... The Human Body in Health & Disease, 5th Edition - Softcover (24) · 9780323036443: Study Guide to Accompany The Human Body in Health & Disease. Mosby, 2005. Softcover. US\$ 4.50 (9) · See all 208 offers for this title from ... The Human Body in Health & Illness 5th Edition Ch. 1 & Ch. 2 Chapter 1: Intro to the Human Body Key Terms pg. 1, Review Your Knowledge & Go Figure Questions pgs. 13 & 14 Chapter 2: Basic Chemistry Key Terms pg. Frankenstein | Mary Shelley, J. Paul Hunter This Norton Critical Edition includes: The 1818 first edition text of the novel, introduced and annotated by J. Paul Hunter. Three maps and eight illustrations. Frankenstein (Norton Critical Editions) This second edition has value to the growing importance of Mary Shelley to the fields of feminist study, cultural communication, and literature. In addition to ... Frankenstein (The Norton Library) The Norton Library edition of Frankenstein features the complete text of the first (1818) edition and Mary Shelley's preface to the third (1831) edition. An ... Frankenstein: A Norton Critical Edition ... Amazon.com: Frankenstein: A Norton Critical Edition (Norton Critical Editions): 9780393644029: Shelley, Mary, Hunter, J. Paul: Books. Frankenstein: A Norton Critical Edition / Edition 2 The epic battle between man and monster reaches its greatest pitch in the famous story of FRANKENSTEIN. In trying to create life, the young student. Frankenstein (Norton Critical Editions) - Shelley, Mary Frankenstein (Norton Critical Editions) by Shelley, Mary - ISBN 10: 0393927938 - ISBN 13: 9780393927931 - W. W. Norton & Company - 2012 - Softcover. Frankenstein (Norton Critical Edition) Sep 8, 2021 — Rent textbook Frankenstein (Norton Critical Edition) by Shelley, Mary - 9780393644029. Price: \$14.26. Frankenstein: A Norton Critical Edition The epic battle between man and monster reaches its greatest pitch in the famous story of FRANKENSTEIN. In trying to create life, the young student. Frankenstein (Norton Critical Editions) Dec 17, 1995 — Frankenstein (Norton Critical Editions). by Mary Wollstonecraft Shelley. Details. Author Mary Wollstonecraft Shelley Publisher W. W. Norton & ... Frankenstein (Second Edition) (Norton Critical ... Read "Frankenstein (Second Edition) (Norton Critical Editions)" by Mary Shelley available from Rakuten Kobo. The best-selling student edition on the market, ... Owls of the world : a photographic guide : Mikkola, Heimo Nov 19, 2021 — Owls of the world : a photographic guide. by: Mikkola, Heimo. Publication ...

DOWNLOAD OPTIONS. No suitable files to display here. 14 day loan ... Owls of the World: A Photographic Guide by Mikkola,

Heimo The new edition is packed with spectacular photography of 268 species of owls from all over the world -- 19 more species than the original book. Many of the ... (PDF) Owls of the World | Heimo Mikkola The paper seeks explanations of why the number of owl species keeps growing exponentially although not very many new owl species can be found in the wild. Owls of the World: A Photographic Guide This new book, Owls of the World, is the first comprehensive guide to the world's owls. It contains the finest collection of owl photographs I have seen in one ... Owls of the World - A Photographic Guide: Second Edition Jun 1, 2014 — This book contains lavish and spectacular photography from dozens of the world's finest natural history photographers, covering all of the ... Owls of the World - A Photographic Guide: Second Edition This book contains lavish and spectacular photography from dozens of the world's finest natural history photographers, covering all of the world's 268 ... Owls of the World: A Photographic Guide - Hardcover The new edition is packed with spectacular photography of 268 species of owls from all over the world -- 19 more species than the original book. Many of the ... Owls of the World: A Photographic Guide - Heimo Mikkola Dozens of the world's finest photographers have contributed 750 spectacular photographs covering all of the world's 249 species of owls. Owls of the World: A Photographic Guide by Heimo Mikkola A complete guide to identifying the world's owls. Photographers spend hours waiting to capture them and birders seek them out with determination, but owls ... Owls of the World: A Photographic Guide The superlative identification guide to 268 species of owl, now in paperback. Praise for the first edition: "A native of Finland, the author is the world's ...