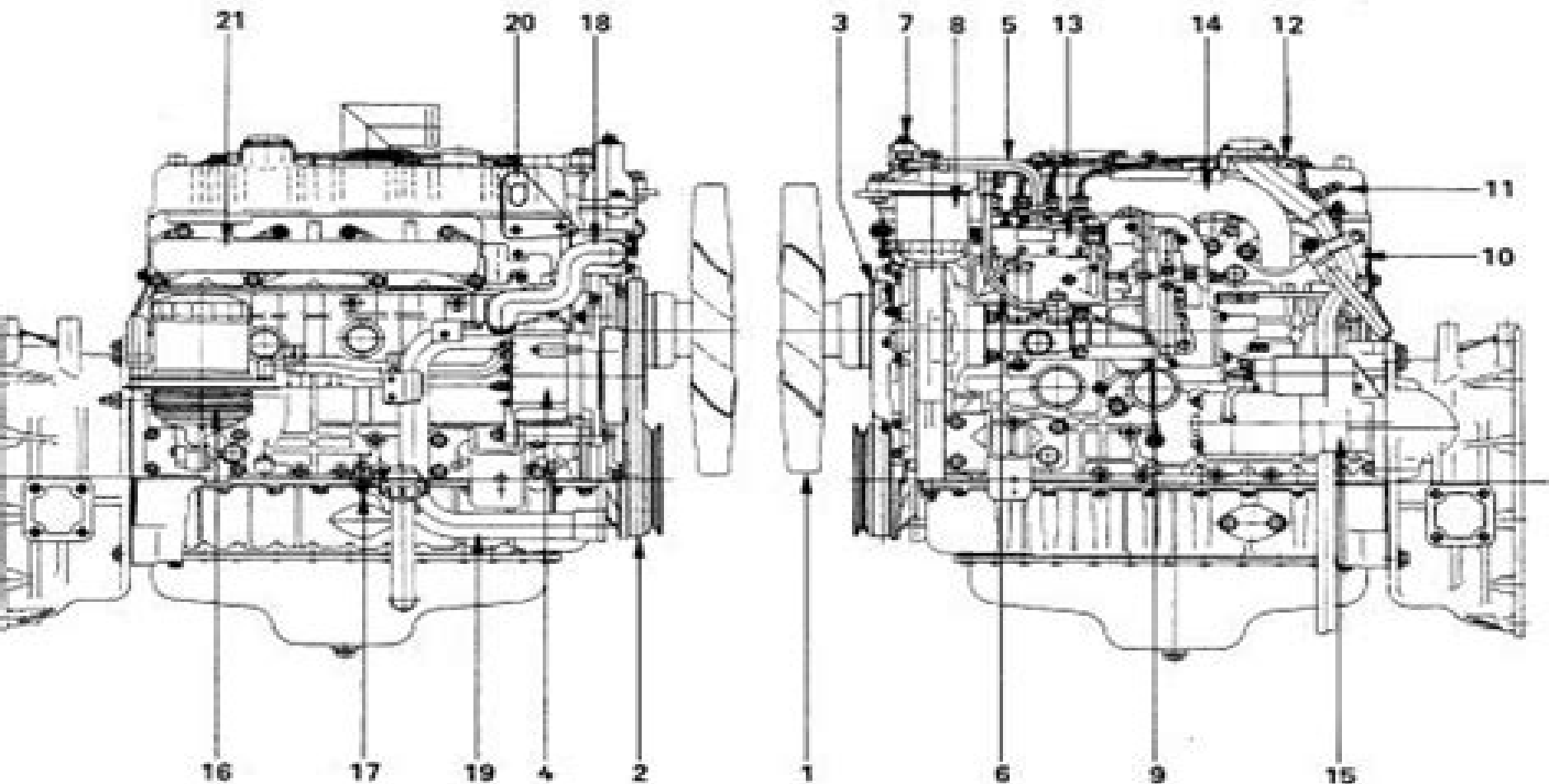


# SERVICE MANUAL

## 4JB1 ISUZU

### ENGINES



# Isuzu Diesel Engine Service Manual

**S Nieto**



## **Isuzu Diesel Engine Service Manual:**

Ignite the flame of optimism with its motivational masterpiece, **Isuzu Diesel Engine Service Manual** . In a downloadable PDF format ( \*), this ebook is a beacon of encouragement. Download now and let the words propel you towards a brighter, more motivated tomorrow.

[https://py.bijouxmedusa.com/public/scholarship/HomePages/principles\\_of\\_biomedical\\_ethics\\_tom\\_l\\_beauchamp.pdf](https://py.bijouxmedusa.com/public/scholarship/HomePages/principles_of_biomedical_ethics_tom_l_beauchamp.pdf)

## **Table of Contents Isuzu Diesel Engine Service Manual**

1. Understanding the eBook Isuzu Diesel Engine Service Manual
  - The Rise of Digital Reading Isuzu Diesel Engine Service Manual
  - Advantages of eBooks Over Traditional Books
2. Identifying Isuzu Diesel Engine Service Manual
  - Exploring Different Genres
  - Considering Fiction vs. Non-Fiction
  - Determining Your Reading Goals
3. Choosing the Right eBook Platform
  - Popular eBook Platforms
  - Features to Look for in an Isuzu Diesel Engine Service Manual
  - User-Friendly Interface
4. Exploring eBook Recommendations from Isuzu Diesel Engine Service Manual
  - Personalized Recommendations
  - Isuzu Diesel Engine Service Manual User Reviews and Ratings
  - Isuzu Diesel Engine Service Manual and Bestseller Lists
5. Accessing Isuzu Diesel Engine Service Manual Free and Paid eBooks
  - Isuzu Diesel Engine Service Manual Public Domain eBooks
  - Isuzu Diesel Engine Service Manual eBook Subscription Services
  - Isuzu Diesel Engine Service Manual Budget-Friendly Options
6. Navigating Isuzu Diesel Engine Service Manual eBook Formats

- ePub, PDF, MOBI, and More
- Isuzu Diesel Engine Service Manual Compatibility with Devices
- Isuzu Diesel Engine Service Manual Enhanced eBook Features
- 7. Enhancing Your Reading Experience
  - Adjustable Fonts and Text Sizes of Isuzu Diesel Engine Service Manual
  - Highlighting and Note-Taking Isuzu Diesel Engine Service Manual
  - Interactive Elements Isuzu Diesel Engine Service Manual
- 8. Staying Engaged with Isuzu Diesel Engine Service Manual
  - Joining Online Reading Communities
  - Participating in Virtual Book Clubs
  - Following Authors and Publishers Isuzu Diesel Engine Service Manual
- 9. Balancing eBooks and Physical Books Isuzu Diesel Engine Service Manual
  - Benefits of a Digital Library
  - Creating a Diverse Reading Collection Isuzu Diesel Engine Service Manual
- 10. Overcoming Reading Challenges
  - Dealing with Digital Eye Strain
  - Minimizing Distractions
  - Managing Screen Time
- 11. Cultivating a Reading Routine Isuzu Diesel Engine Service Manual
  - Setting Reading Goals Isuzu Diesel Engine Service Manual
  - Carving Out Dedicated Reading Time
- 12. Sourcing Reliable Information of Isuzu Diesel Engine Service Manual
  - Fact-Checking eBook Content of Isuzu Diesel Engine Service Manual
  - Distinguishing Credible Sources
- 13. Promoting Lifelong Learning
  - Utilizing eBooks for Skill Development
  - Exploring Educational eBooks
- 14. Embracing eBook Trends
  - Integration of Multimedia Elements
  - Interactive and Gamified eBooks

### Isuzu Diesel Engine Service Manual Introduction

Isuzu Diesel Engine Service Manual Offers over 60,000 free eBooks, including many classics that are in the public domain. Open Library: Provides access to over 1 million free eBooks, including classic literature and contemporary works. Isuzu Diesel Engine Service Manual Offers a vast collection of books, some of which are available for free as PDF downloads, particularly older books in the public domain. Isuzu Diesel Engine Service Manual : This website hosts a vast collection of scientific articles, books, and textbooks. While it operates in a legal gray area due to copyright issues, its a popular resource for finding various publications. Internet Archive for Isuzu Diesel Engine Service Manual : Has an extensive collection of digital content, including books, articles, videos, and more. It has a massive library of free downloadable books. Free-eBooks Isuzu Diesel Engine Service Manual Offers a diverse range of free eBooks across various genres. Isuzu Diesel Engine Service Manual Focuses mainly on educational books, textbooks, and business books. It offers free PDF downloads for educational purposes. Isuzu Diesel Engine Service Manual Provides a large selection of free eBooks in different genres, which are available for download in various formats, including PDF. Finding specific Isuzu Diesel Engine Service Manual, especially related to Isuzu Diesel Engine Service Manual, might be challenging as theyre often artistic creations rather than practical blueprints. However, you can explore the following steps to search for or create your own Online Searches: Look for websites, forums, or blogs dedicated to Isuzu Diesel Engine Service Manual, Sometimes enthusiasts share their designs or concepts in PDF format. Books and Magazines Some Isuzu Diesel Engine Service Manual books or magazines might include. Look for these in online stores or libraries. Remember that while Isuzu Diesel Engine Service Manual, sharing copyrighted material without permission is not legal. Always ensure youre either creating your own or obtaining them from legitimate sources that allow sharing and downloading. Library Check if your local library offers eBook lending services. Many libraries have digital catalogs where you can borrow Isuzu Diesel Engine Service Manual eBooks for free, including popular titles. Online Retailers: Websites like Amazon, Google Books, or Apple Books often sell eBooks. Sometimes, authors or publishers offer promotions or free periods for certain books. Authors Website Occasionally, authors provide excerpts or short stories for free on their websites. While this might not be the Isuzu Diesel Engine Service Manual full book , it can give you a taste of the authors writing style. Subscription Services Platforms like Kindle Unlimited or Scribd offer subscription-based access to a wide range of Isuzu Diesel Engine Service Manual eBooks, including some popular titles.

### FAQs About Isuzu Diesel Engine Service Manual Books

1. Where can I buy Isuzu Diesel Engine Service Manual books? Bookstores: Physical bookstores like Barnes & Noble,

- Waterstones, and independent local stores. Online Retailers: Amazon, Book Depository, and various online bookstores offer a wide range of books in physical and digital formats.
2. What are the different book formats available? Hardcover: Sturdy and durable, usually more expensive. Paperback: Cheaper, lighter, and more portable than hardcovers. E-books: Digital books available for e-readers like Kindle or software like Apple Books, Kindle, and Google Play Books.
  3. How do I choose a Isuzu Diesel Engine Service Manual book to read? Genres: Consider the genre you enjoy (fiction, non-fiction, mystery, sci-fi, etc.). Recommendations: Ask friends, join book clubs, or explore online reviews and recommendations. Author: If you like a particular author, you might enjoy more of their work.
  4. How do I take care of Isuzu Diesel Engine Service Manual books? Storage: Keep them away from direct sunlight and in a dry environment. Handling: Avoid folding pages, use bookmarks, and handle them with clean hands. Cleaning: Gently dust the covers and pages occasionally.
  5. Can I borrow books without buying them? Public Libraries: Local libraries offer a wide range of books for borrowing. Book Swaps: Community book exchanges or online platforms where people exchange books.
  6. How can I track my reading progress or manage my book collection? Book Tracking Apps: Goodreads, LibraryThing, and Book Catalogue are popular apps for tracking your reading progress and managing book collections. Spreadsheets: You can create your own spreadsheet to track books read, ratings, and other details.
  7. What are Isuzu Diesel Engine Service Manual audiobooks, and where can I find them? Audiobooks: Audio recordings of books, perfect for listening while commuting or multitasking. Platforms: Audible, LibriVox, and Google Play Books offer a wide selection of audiobooks.
  8. How do I support authors or the book industry? Buy Books: Purchase books from authors or independent bookstores. Reviews: Leave reviews on platforms like Goodreads or Amazon. Promotion: Share your favorite books on social media or recommend them to friends.
  9. Are there book clubs or reading communities I can join? Local Clubs: Check for local book clubs in libraries or community centers. Online Communities: Platforms like Goodreads have virtual book clubs and discussion groups.
  10. Can I read Isuzu Diesel Engine Service Manual books for free? Public Domain Books: Many classic books are available for free as they're in the public domain. Free E-books: Some websites offer free e-books legally, like Project Gutenberg or Open Library.

**Find Isuzu Diesel Engine Service Manual :**

**principles of biomedical ethics tom l beauchamp**

practise pass professional numeracy tests practice questions and expert coaching to help you pass practice pass professional preces and responses

process safety quiz part 1 pdo

*practice makes perfect calculus practice makes perfect series by clark dr william mccune sandra 2010 paperback*

progress lettering artists sketchbook process

practice and theory of enzyme immunoassays laboratory techniques in biochemistry and molecular biology vol 15 by p tijssen 1988 03 15

practice of public relations 11th edition

**process industry practices pip resp003s**

principles of database systems 2nd edition

**practical methods of financial engineering and risk management tools for modern financial professionals**

*practice tests and answer keys practice test*

**praat stanford university**

*prasanna chandra financial management problem solutions*

prestressed concrete analysis and design third edition

**Isuzu Diesel Engine Service Manual :**

*handbook of the birds of the world volume 4 sandgrouse to - Aug 02 2022*

web dec 30 2009 baker fbi birds 4 bookreader item preview fauna of british india birds volume 4 e c stuart baker addeddate 2009 12 30 12 13 55 identifier bakerfbibirds4

garden of birds volume 4 by david jansen goodreads - May 11 2023

web buy garden of birds volume 4 by jansen art studio david jansen online at alibris we have new and used copies available in 1 editions starting at 28 15 shop now

**garden of birds volume 4 by jansen art studio goodreads - Mar 09 2023**

web find many great new used options and get the best deals for garden of birds volume 4 by david jansen and jansen art studio 2019 trade paperback at the best online

**handbook of the birds of the world volume 4 lynx nature - Oct 04 2022**

web dec 1 1997 buy handbook of the birds of the world volume 4 sandgrouse to cuckoos handbooks of the birds of the world english french german and spanish edition

**garden of birds volume 4 kindle edition amazon com** - Dec 26 2021

a garden of birds paint it simply concept lessons - Sep 22 2021

*a garden of birds volume 2 paint it simply concept* - Nov 24 2021

*a garden of birds volume 3 paint it simply concept lessons* - Oct 24 2021

*garden of birds volume 4 by david jansen and jansen art* - Feb 08 2023

web garden of birds volume 4 by jansen art studio and david jansen available in trade paperback on powells com also read synopsis and reviews join david as he continues

**garden of birds volume 4 kindle edition amazon co uk** - Jun 12 2023

web garden of birds volume 4 book read reviews from world s largest community for readers

*garden of birds volume 4 powell s books* - Jan 07 2023

web b5052 a garden of birds vol 4 art of painting series printed 29 95 sku b5052 shipping calculated at checkout quantity product description b5052 a garden of

garden of the dead flowers chapter 4 mangabuddy - Feb 25 2022

web oct 14 2016 a garden of birds volume 3 paint it simply concept lessons jansen david studio jansen art 9781539429098 amazon com books books

*painting lessons with david books garden of birds* - Nov 05 2022

web we present garden of birds volume 4 and numerous book collections from fictions to scientific research in any way in the course of them is this garden of birds volume 4

garden of eden part four volume 4 carl hultberg - Mar 29 2022

web birds of paradise film konusu yorumu incelemesi cennet kuşları eleştirisi yönetmeni senaristi oyuncularını karakterleri yayınlanma tarihi imdb puanı fragmanı hakkında

**birds of paradise film konusu ve yorumu amazon prime video** - Jan 27 2022

web jun 5 2015 join david in this beautiful study of artistic bird painting david has been painting all varieties of styles of birds for over 35 years now he will take you on a

*garden of birds volume 4 alibris* - Apr 10 2023

web rather than render each bird as a realistic impression david demonstrates how to use the principle of art to turn the subject matter into a beautiful artistic painting this book

*garden of birds volume 4 wrbb neu* - Sep 03 2022

web feb 15 2016 read reviews from the world s largest community for readers oin david in this beautiful study of artistic bird painting in this volume daivd will introdu a garden

birds of britain garden birds volume 1 filmed in slow motion - Apr 29 2022

web read garden of the dead flowers chapter 4 mangabuddy the next chapter chapter 5 is also available here come and enjoy when mila woke up she suddenly returns to the

*a garden of birds volume 2 paint it simply concept lessons* - Jul 01 2022

web birds of britain garden birds volume 1 filmed in slow motion birds in the video robin goldfinch bullfinch chaffinch starling house sparrow blue tit blackbird

**garden of birds volume 4 paperback 2 aug 2019 amazon co uk** - Jul 13 2023

web garden of birds volume 4 ebook jansen david studio jansen amazon co uk kindle store

**b5052 a garden of birds vol 4 art of painting series printed** - Dec 06 2022

web the volume describes 6 families fewer than other volumes but contains the most species 834 species as some of the families are very large pigeons and doves 309 species

**garden of birds volume 4 jansen david studio** - Aug 14 2023

web garden of birds volume 4 jansen david studio jansen art amazon co uk books

*baker fbi birds 4 e c stuart baker free download borrow* - May 31 2022

web garden of eden part four volume 4 carl hultberg borrow a w dimock read the adventures of sherlock holmes online borrow borrow your course resources as you

**hp s unified wired wireless networks offer complete networking byod** - Nov 30 2022

web at the same time it would create incremental revenue opportunities for partners hp s development delivers unified wired and wireless management and switching platforms that create a single network for wired and wireless connectivity hp expects that by 2016 two thirds of the workforce will own smartphones making about 40 percent of the workforce

*hpe press hp unified wired wireless networks and byod* - Oct 10 2023

web this book helps you prepare for the implementing hp unified wired wireless networks and byod exam hp2 z33 this elective exam is for candidates who want to acquire the hp ase flexnetwork architect v2 or the hp ase flexnetwork integrator v1 certification topics include wireless standards wireless security guest access

*hp pcs creating a wireless home network windows 10 8 - Jun 25 2022*

web make sure that network discovery and file sharing is turned on in the windows search box search for and open view network computers and devices the network window opens and displays computers and devices detected on the network double click the name of the computer or device you want to access if prompted enter the username and password

wireless network wlan infographic hp - Jan 01 2023

web address your wireless network challenges uncover a wired and wireless strategy to maintain productivity security and byod hpe networking communication hpe security vulnerability homepage 91 80 521 61214 contact a sales hp complete unified byod solution 2 35 min

**bring your own device byod hp hewlett packard enterprise - Aug 08 2023**

web jul 13 2023 hp has launched the industry s only complete unified solution that supports growing bring your own device byod initiatives it delivers unified byod essentials simple and secure automated device onboarding of users unified wired and wireless network with the scalability to meet the increasing number of personal devices software

**hp expertone hewlett packard enterprise - Jun 06 2023**

web this study guide helps you prepare for the implementing hp unified wired wireless networks and byod exam hp2 z33 this elective exam is for candidates who want to acquire the hp ase flexnetwork architect v2 certification or the hp ase flexnetwork integrator v1 certification

**hp wifi driver download install update for windows 10 11 - May 25 2022**

web jul 24 2023 solution 1 download the hp wifi drivers from the official website solution 2 update the driver using bit driver updater automatically recommended solution 3 use the device manager to update drivers method 4 run windows update to install the latest hp wifi driver updates frequently asked questions hp laptops wifi drivers

*hp unified wired and wireless access hp techlibrary hpe com - Mar 03 2023*

web hp unified wired and wireless access it s time to make working anytime anywhere easier for customers today mobility has transformed how and when work is done you need the

*byod bring your own device wireless lan hp - Apr 04 2023*

web unified wired and wireless access single pane of glass management with hp flexnetworksolutions hp intelligent management center imc provides monitoring and security for wired and wireless networks imc can also manage multivendor environments up to 6 000 devices from more than 200 vendors

*bring your own device byod hp hewlett packard enterprise - May 05 2023*

web unify access to wired and wireless hp s converged campus tools offer a secure and seamless byod experience converged campus user access easily manage user access with secure onboarding and policy enforcement creating a better user

experience meet byod challenges hp intelligent management center for byod solutions user access

[bring your own device byod hp](#) - Jul 07 2023

web the hp byod solution is a robust simple and secure way for your enterprise to allow users to access your network as well as applications from their own laptop tablet or smartphone unified wired and wireless networks hp 2920 switch series layer 2 3 4 modular switches offering advanced integrated services product details

*hp delivers industry s only complete unified byod networking* - Oct 30 2022

web apr 26 2013 the new solutions and services introduced at the hp global partner conference include the industry s only 1 complete solution that supports growing byod initiatives this solution delivers unified wired and wireless management and switching platforms that create a single network for wired and wireless connectivity

*hewlett packard enterprise networking wikipedia* - Aug 28 2022

web the hp 870 unified wired wlan appliance is designed to help administrators bridge the gap between wired and wireless networks according to published reports the appliance simplifies management and access and supports up to 30 000 communication endpoints the hp 850 unified wired wlan appliance supports up to 10 000 endpoints

[hp unified wired wireless networks and byod hp2 z33 free](#) - Sep 28 2022

web get hp2 z33 hp unified wired wireless networks and byod by hp free exam questions to prepare for your hp certification the exam question base is updated hourly instant online access question no 5 a business deploys a wireless network that includes an hp 10500 7500 module and 120 access points aps they plan to increase the

**hp unveils unified byod networking solution** - Feb 02 2023

web hp has announced new unified wired and wireless solutions supporting bring your own device byod initiatives this solution delivers unified wired and wireless management and switching platforms that create a single network for wired and wireless connectivity

**realtek wlan bluetooth driver for microsoft windows 10 hp** - Mar 23 2022

web oct 5 2018 use product model name examples laserjet pro p1102 deskjet 2130 for hp products a product number examples lg534ua for samsung print products enter the m c or model code found on the product label examples sl m2020w xaa include keywords along with product name examples deskjet 2130 paper jam elitebook

**wireless erc** - Jul 27 2022

web the new hp unified wired wireless networks and byod course provides hp partners with the skills and knowledge to design and implement a byod solution using intelligent management center imc software and the hp unified wired and wireless controller

[how to download hp network driver for windows 11 10 8 7](#) - Apr 23 2022

web aug 8 2023 method 1 download hp network adapter driver windows 10 via hp s website 1 visit the official hp website 2 click the support tab select software drivers 3 select the product for which you are updating

*hp delivers industry s only complete unified byod networking* - Sep 09 2023

web palo alto calif feb 19 2013 hp today announced new unified wired and wireless solutions that deliver a simple scalable and secure network supporting bring your own device byod initiatives while creating incremental revenue opportunities for partners hp com go newsroom

hp hp2 z33 study practice exam dumps 2023 - Feb 19 2022

web pre order your hp hp unified wired wireless networks and byod hp2 z33 you can pre order your hp hp unified wired wireless networks and byod hp2 z33 exam to us and we will make it available in 5 days to 2 weeks maximum dumpsarena com team will arrange all real exam questions only from real exam within next 5 days to 2 weeks

**ma c thode du jeune violoncelliste pdf pdf** - Oct 08 2022

web dec 3 2022 ma c thode du jeune violoncelliste 1 3 downloaded from staging friends library org on december 3 2022 by guest ma c thode du jeune violoncelliste right

ma c thode du jeune violoncelliste pdf 2023 - Jan 11 2023

web ma c thode du jeune violoncelliste 4 5 downloaded from uniport edu ng on august 22 2023 by guest journal général de la littérature de france ou répertoire méthodique des

*ma c thode du jeune violoncelliste pdf copy* - Jul 17 2023

web may 21 2023 ma c thode du jeune violoncelliste pdf this is likewise one of the factors by obtaining the soft documents of this ma c thode du jeune violoncelliste pdf by

**ma c thode du jeune violoncelliste pdf uniport edu** - Sep 19 2023

web jul 10 2023 ma c thode du jeune violoncelliste 1 4 downloaded from uniport edu ng on july 10 2023 by guest ma c thode du jeune violoncelliste as recognized adventure

*ma c thode du jeune violoncelliste pdf pdf* - Jun 16 2023

web jul 9 2023 ma c thode du jeune violoncelliste pdf this is likewise one of the factors by obtaining the soft documents of this ma c thode du jeune violoncelliste pdf by

ma c thode du jeune violoncelliste copy uniport edu - Jun 04 2022

web violon violoncelle découvrez la pratique du violon ou du violoncelle les profssabina bossard sabina bossard enseigne le piano et le violon aux élèves de la mjc depuis

**violon violoncelle mjc de toul** - May 03 2022

web 4 feillard ma c thode du jeune violoncelliste 2020 04 10 since the first papers by e n leith and j upatnieks on the subject

of holography appeared in 1961 there has been

**ma c thode du jeune violoncelliste copy uniport edu** - Dec 10 2022

web jul 16 2023 ma c thode du jeune violoncelliste 1 1 downloaded from uniport edu ng on july 16 2023 by guest ma c thode du jeune violoncelliste eventually you will

**méthode du jeune violoncelliste thesoundpost com** - Mar 13 2023

web sep 6 2023 ma c thode du jeune violoncelliste 1 3 downloaded from uniport edu ng on september 6 2023 by guest ma c thode du jeune violoncelliste yeah reviewing a

les 12 violoncellistes à moscou musique télé star - Nov 28 2021

web jun 29 2023 ma c thode du jeune violoncelliste pdf this is likewise one of the factors by obtaining the soft documents of this ma c thode du jeune violoncelliste pdf by

**ma c thode du jeune violoncelliste copy uniport edu** - Aug 06 2022

web sep 14 2023 feillard ma c thode du jeune violoncelliste 2 6 downloaded from uniport edu ng on september 14 2023 by guest tremendous legacy regarding the

**ecole de musique mjc de toul** - Dec 30 2021

web cet orchestre au sein d un orchestre couronné de succès s appelle die 12 cellisten les 12 violoncellistes et est devenu une valeur solide dans le monde de la musique

**ma c thode du jeune violoncelliste copy uniport edu** - Feb 12 2023

web apr 7 2023 their computer ma c thode du jeune violoncelliste pdf is nearby in our digital library an online admission to it is set as public as a result you can download it

*ma c thode du jeune violoncelliste pdf domainlookup org* - Aug 18 2023

web mar 26 2023 ma c thode du jeune violoncelliste is available in our book collection an online access to it is set as public so you can get it instantly our book servers spans in

**feillard ma c thode du jeune violoncelliste full pdf dotnbm** - Apr 02 2022

web apr 14 2023 getting the books ma c thode du jeune violoncelliste now is not type of challenging means you could not deserted going subsequently book collection or library

**ma c thode du jeune violoncelliste pdf w gestudy byu edu** - Oct 28 2021

*ma c thode du jeune violoncelliste pdf uniport edu* - Nov 09 2022

web fictions to scientific research in any way in the course of them is this ma c thode du jeune violoncelliste pdf that can be your partner journal général de la littérature de france

**ma c thode du jeune violoncelliste pdf webdisk pocketot** - May 15 2023

web le piano et le violoncelle claude du granrut 2013 11 18 quand on a contemplé la mort on est blindé pour la vie cette femme si frêle qui s'était révélée au camp de concentration

feuillard ma c thode du jeune violoncelliste copy uniport edu - Jul 05 2022

web may 21 2023 ma c thode du jeune violoncelliste 1 3 downloaded from uniport edu ng on may 21 2023 by guest ma c thode du jeune violoncelliste recognizing the

ma c thode du jeune violoncelliste pdf staging friends library - Sep 07 2022

web jun 11 2023 ma c thode du jeune violoncelliste 1 4 downloaded from uniport edu ng on june 11 2023 by guest ma c thode du jeune violoncelliste this is likewise one of the

ma c thode du jeune violoncelliste copy uniport edu - Mar 01 2022

web sep 29 2023 10 meilleures offres méthode du jeune violoncelliste feuillard au france nos classements sont générés à partir de l'analyse algorithmique de milliers d'avis de

**notre top 10 des méthodes du jeune violoncelliste feuillard au** - Jan 31 2022

web chorale la mjc de toul propose un apprentissage musical de qualité au sein de son école de musique à l'aide d'une équipe pédagogique dynamique et ouverte à tous

**méthode du jeune violoncelliste by louis feuillard c** - Apr 14 2023

web jun 11 2023 méthode du jeune violoncelliste anglais partition 1 remander par le professeur de violoncelle de ma fille de 7 ans c'est une méthode plète mais vaut mieux