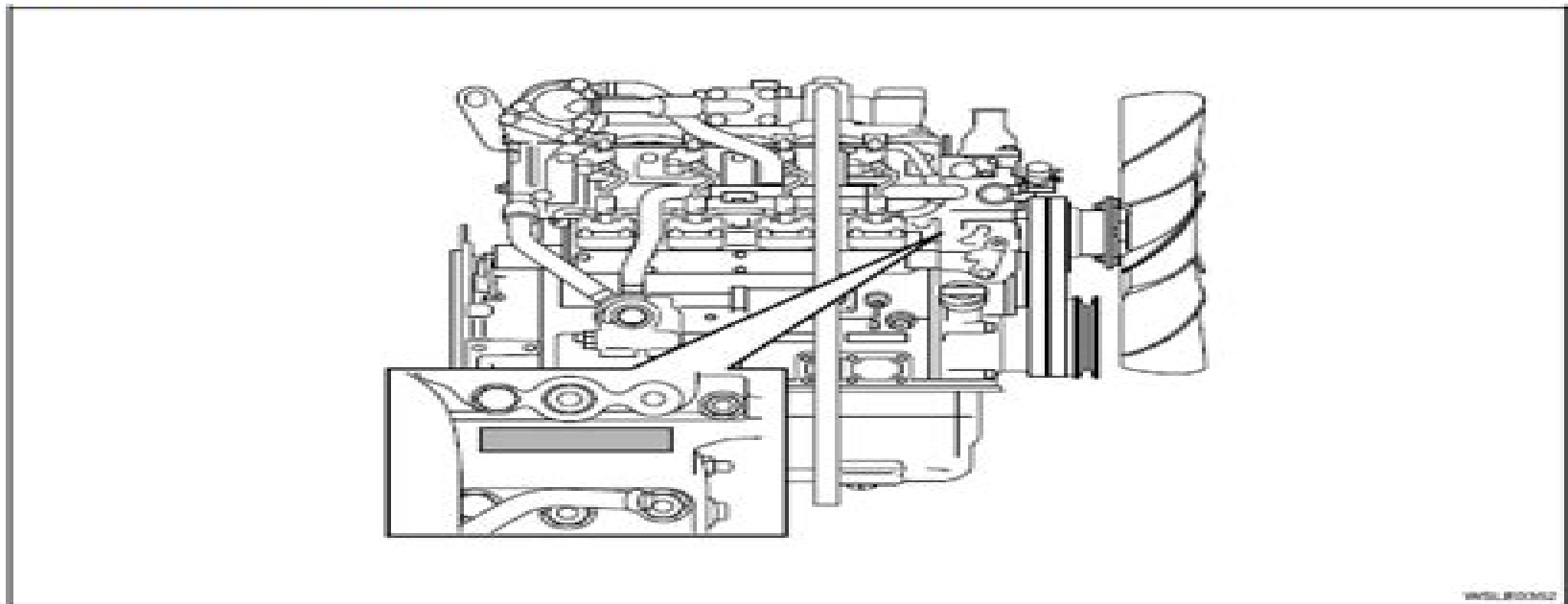


Reading the Model WGA00010001

Engine number stamping position WGA0001000001



General Information WGA0001000001

Terminology, description of abbreviations

WGA0001000001

Terminology definitions

Maintenance standard

The generic name for reference values required for maintenance, such as nominal dimension, assembly specification, and limit.

Nominal dimension

Shows the standard value at the point of manufacture that does not include the common difference.

Isuzu Engine Parts Manual 4le2

RJ Shavelson



Isuzu Engine Parts Manual 4le2:

Getting the books **Isuzu Engine Parts Manual 4le2** now is not type of challenging means. You could not lonesome going bearing in mind book heap or library or borrowing from your connections to gate them. This is an very simple means to specifically get lead by on-line. This online declaration Isuzu Engine Parts Manual 4le2 can be one of the options to accompany you as soon as having additional time.

It will not waste your time. agree to me, the e-book will totally manner you supplementary concern to read. Just invest tiny mature to read this on-line message **Isuzu Engine Parts Manual 4le2** as well as review them wherever you are now.

<https://py.bijouxmedusa.com/results/virtual-library/HomePages/tips%20guide%20for%20startups%207%20151%20interview%20tips%20ideas%20usa%207%201065%20interview.pdf>

Table of Contents Isuzu Engine Parts Manual 4le2

1. Understanding the eBook Isuzu Engine Parts Manual 4le2
 - The Rise of Digital Reading Isuzu Engine Parts Manual 4le2
 - Advantages of eBooks Over Traditional Books
2. Identifying Isuzu Engine Parts Manual 4le2
 - Exploring Different Genres
 - Considering Fiction vs. Non-Fiction
 - Determining Your Reading Goals
3. Choosing the Right eBook Platform
 - Popular eBook Platforms
 - Features to Look for in an Isuzu Engine Parts Manual 4le2
 - User-Friendly Interface
4. Exploring eBook Recommendations from Isuzu Engine Parts Manual 4le2
 - Personalized Recommendations
 - Isuzu Engine Parts Manual 4le2 User Reviews and Ratings
 - Isuzu Engine Parts Manual 4le2 and Bestseller Lists

5. Accessing Isuzu Engine Parts Manual 4le2 Free and Paid eBooks
 - Isuzu Engine Parts Manual 4le2 Public Domain eBooks
 - Isuzu Engine Parts Manual 4le2 eBook Subscription Services
 - Isuzu Engine Parts Manual 4le2 Budget-Friendly Options
6. Navigating Isuzu Engine Parts Manual 4le2 eBook Formats
 - ePub, PDF, MOBI, and More
 - Isuzu Engine Parts Manual 4le2 Compatibility with Devices
 - Isuzu Engine Parts Manual 4le2 Enhanced eBook Features
7. Enhancing Your Reading Experience
 - Adjustable Fonts and Text Sizes of Isuzu Engine Parts Manual 4le2
 - Highlighting and Note-Taking Isuzu Engine Parts Manual 4le2
 - Interactive Elements Isuzu Engine Parts Manual 4le2
8. Staying Engaged with Isuzu Engine Parts Manual 4le2
 - Joining Online Reading Communities
 - Participating in Virtual Book Clubs
 - Following Authors and Publishers Isuzu Engine Parts Manual 4le2
9. Balancing eBooks and Physical Books Isuzu Engine Parts Manual 4le2
 - Benefits of a Digital Library
 - Creating a Diverse Reading Collection Isuzu Engine Parts Manual 4le2
10. Overcoming Reading Challenges
 - Dealing with Digital Eye Strain
 - Minimizing Distractions
 - Managing Screen Time
11. Cultivating a Reading Routine Isuzu Engine Parts Manual 4le2
 - Setting Reading Goals Isuzu Engine Parts Manual 4le2
 - Carving Out Dedicated Reading Time
12. Sourcing Reliable Information of Isuzu Engine Parts Manual 4le2
 - Fact-Checking eBook Content of Isuzu Engine Parts Manual 4le2
 - Distinguishing Credible Sources
13. Promoting Lifelong Learning

- Utilizing eBooks for Skill Development
 - Exploring Educational eBooks
14. Embracing eBook Trends
- Integration of Multimedia Elements
 - Interactive and Gamified eBooks

Isuzu Engine Parts Manual 4le2 Introduction

In this digital age, the convenience of accessing information at our fingertips has become a necessity. Whether its research papers, eBooks, or user manuals, PDF files have become the preferred format for sharing and reading documents. However, the cost associated with purchasing PDF files can sometimes be a barrier for many individuals and organizations. Thankfully, there are numerous websites and platforms that allow users to download free PDF files legally. In this article, we will explore some of the best platforms to download free PDFs. One of the most popular platforms to download free PDF files is Project Gutenberg. This online library offers over 60,000 free eBooks that are in the public domain. From classic literature to historical documents, Project Gutenberg provides a wide range of PDF files that can be downloaded and enjoyed on various devices. The website is user-friendly and allows users to search for specific titles or browse through different categories. Another reliable platform for downloading Isuzu Engine Parts Manual 4le2 free PDF files is Open Library. With its vast collection of over 1 million eBooks, Open Library has something for every reader. The website offers a seamless experience by providing options to borrow or download PDF files. Users simply need to create a free account to access this treasure trove of knowledge. Open Library also allows users to contribute by uploading and sharing their own PDF files, making it a collaborative platform for book enthusiasts. For those interested in academic resources, there are websites dedicated to providing free PDFs of research papers and scientific articles. One such website is Academia.edu, which allows researchers and scholars to share their work with a global audience. Users can download PDF files of research papers, theses, and dissertations covering a wide range of subjects. Academia.edu also provides a platform for discussions and networking within the academic community. When it comes to downloading Isuzu Engine Parts Manual 4le2 free PDF files of magazines, brochures, and catalogs, Issuu is a popular choice. This digital publishing platform hosts a vast collection of publications from around the world. Users can search for specific titles or explore various categories and genres. Issuu offers a seamless reading experience with its user-friendly interface and allows users to download PDF files for offline reading. Apart from dedicated platforms, search engines also play a crucial role in finding free PDF files. Google, for instance, has an advanced search feature that allows users to filter results by file type. By specifying the file type as "PDF," users can find websites that offer free PDF downloads on a specific topic. While downloading Isuzu Engine Parts Manual 4le2 free PDF files is convenient,

its important to note that copyright laws must be respected. Always ensure that the PDF files you download are legally available for free. Many authors and publishers voluntarily provide free PDF versions of their work, but its essential to be cautious and verify the authenticity of the source before downloading Isuzu Engine Parts Manual 4le2. In conclusion, the internet offers numerous platforms and websites that allow users to download free PDF files legally. Whether its classic literature, research papers, or magazines, there is something for everyone. The platforms mentioned in this article, such as Project Gutenberg, Open Library, Academia.edu, and Issuu, provide access to a vast collection of PDF files. However, users should always be cautious and verify the legality of the source before downloading Isuzu Engine Parts Manual 4le2 any PDF files. With these platforms, the world of PDF downloads is just a click away.

FAQs About Isuzu Engine Parts Manual 4le2 Books

How do I know which eBook platform is the best for me? Finding the best eBook platform depends on your reading preferences and device compatibility. Research different platforms, read user reviews, and explore their features before making a choice. Are free eBooks of good quality? Yes, many reputable platforms offer high-quality free eBooks, including classics and public domain works. However, make sure to verify the source to ensure the eBook credibility. Can I read eBooks without an eReader? Absolutely! Most eBook platforms offer webbased readers or mobile apps that allow you to read eBooks on your computer, tablet, or smartphone. How do I avoid digital eye strain while reading eBooks? To prevent digital eye strain, take regular breaks, adjust the font size and background color, and ensure proper lighting while reading eBooks. What the advantage of interactive eBooks? Interactive eBooks incorporate multimedia elements, quizzes, and activities, enhancing the reader engagement and providing a more immersive learning experience. Isuzu Engine Parts Manual 4le2 is one of the best book in our library for free trial. We provide copy of Isuzu Engine Parts Manual 4le2 in digital format, so the resources that you find are reliable. There are also many Ebooks of related with Isuzu Engine Parts Manual 4le2. Where to download Isuzu Engine Parts Manual 4le2 online for free? Are you looking for Isuzu Engine Parts Manual 4le2 PDF? This is definitely going to save you time and cash in something you should think about. If you trying to find then search around for online. Without a doubt there are numerous these available and many of them have the freedom. However without doubt you receive whatever you purchase. An alternate way to get ideas is always to check another Isuzu Engine Parts Manual 4le2. This method for see exactly what may be included and adopt these ideas to your book. This site will almost certainly help you save time and effort, money and stress. If you are looking for free books then you really should consider finding to assist you try this. Several of Isuzu Engine Parts Manual 4le2 are for sale to free while some are payable. If you arent sure if the books you would like to download works with for usage along with your computer, it is possible to download free trials. The free

guides make it easy for someone to free access online library for download books to your device. You can get free download on free trial for lots of books categories. Our library is the biggest of these that have literally hundreds of thousands of different products categories represented. You will also see that there are specific sites catered to different product types or categories, brands or niches related with Isuzu Engine Parts Manual 4le2. So depending on what exactly you are searching, you will be able to choose e books to suit your own need. Need to access completely for Campbell Biology Seventh Edition book? Access Ebook without any digging. And by having access to our ebook online or by storing it on your computer, you have convenient answers with Isuzu Engine Parts Manual 4le2 To get started finding Isuzu Engine Parts Manual 4le2, you are right to find our website which has a comprehensive collection of books online. Our library is the biggest of these that have literally hundreds of thousands of different products represented. You will also see that there are specific sites catered to different categories or niches related with Isuzu Engine Parts Manual 4le2 So depending on what exactly you are searching, you will be able to choose ebook to suit your own need. Thank you for reading Isuzu Engine Parts Manual 4le2. Maybe you have knowledge that, people have search numerous times for their favorite readings like this Isuzu Engine Parts Manual 4le2, but end up in harmful downloads. Rather than reading a good book with a cup of coffee in the afternoon, instead they juggled with some harmful bugs inside their laptop. Isuzu Engine Parts Manual 4le2 is available in our book collection an online access to it is set as public so you can download it instantly. Our digital library spans in multiple locations, allowing you to get the most less latency time to download any of our books like this one. Merely said, Isuzu Engine Parts Manual 4le2 is universally compatible with any devices to read.

Find Isuzu Engine Parts Manual 4le2 :

[tips guide for startups 7-151](#) [interview tips ideas USA 7-1065](#) [interview dropshipping business guide for small business 7-1348](#) [dropshipping business 7-1004](#) [Instagram growth step by step for small business 7-2688](#) [business ideas for beginners for small business 7-509](#) [small business creators 7-1385](#) [self improvement ideas for entrepreneurs 7-249](#) [self freelancing online best practices for creators 7-1484](#) [freelancing online Instagram growth trends United States 7-428](#) [Instagram growth trends for best practices United States 7-1542](#) [affiliate marketing best practices fitness routines for beginners for startups 7-235](#) [fitness routines guide affiliate marketing checklist for startups 7-958](#) [affiliate marketing for creators 7-715](#) [passive income ideas explained America 7-2229](#) [passive](#)

mental wellness blueprint for entrepreneurs 7-1205 mental wellness

7-40 AI tools examples for startups 7-2902 AI tools explained USA 7-2017
roadmap America 7-1790 retirement planning roadmap USA 7-645 retirement
marketing checklist United States 7-70 digital marketing checklist for

Isuzu Engine Parts Manual 4le2 :

campbell biology notes 10th edition stuvia us - May 17 2022

web feb 15 2023 campbell biology chapters 19 22 24 exam study guide 0 8 49 condensed notes from in class lectures slides
and textbook broken down in an

study guide for campbell biology campbell biology - Mar 15 2022

web oct 17 2010 perfect addition to the associated edition of campbell s biology especially good if you are studying biology
as an independent learner combination of text the

campbell biology 11th edition solutions and answers quizlet - Oct 02 2023

web our resource for campbell biology includes answers to chapter exercises as well as detailed information to walk you
through the process step by step with expert solutions

study guide for campbell biology 11th edition amazon com - Aug 20 2022

web bringing a conceptual framework to the study of biology this popular study aid supports campbell biology 11th edition
and is designed to help structure and organize your

campbell biology 12th edition textbook solutions bartleby - Apr 27 2023

web textbook solutions for campbell biology 12th edition urry and others in this series view step by step homework solutions
for your homework ask our subject experts for help

campbell biology concepts and connections 9th edition quizlet - Feb 23 2023

web science biology campbell biology concepts and connections 9th edition isbn 9780134296012 eric j simon jane b reece
jean l dickey kelly a hogan martha

campbell biology in focus 3rd edition solutions and answers - Oct 22 2022

web our resource for campbell biology in focus includes answers to chapter exercises as well as detailed information to walk
you through the process step by step with expert

study guide for campbell biology softcover abebooks - Jun 17 2022

web this popular study aid supports campbell biology 11th edition and is designed to help structure and organize your
developing knowledge of biology and create personal

study guide for campbell biology 11 th ed lavoisier bookseller - Nov 22 2022

web this popular study aid supports campbell biology 11th edition and is designed to help structure and organize your developing knowledge of biology and create personal

study guide for campbell biology amazon com - Feb 11 2022

web campbell essential bio practice test chapter 1 in what way s is the science of biology influencing and changing our culture a by helping us understand the

campbell biology pearson - Dec 24 2022

web orr rebecca b author campbell neil a biology title campbell biology lisa a urry michael l cain steven a wasserman peter v minorsky rebecca b orr neil a

campbell biology 12th edition solutions and answers quizlet - Sep 01 2023

web our resource for campbell biology includes answers to chapter exercises as well as detailed information to walk you through the process step by step with expert solutions

bio unit 1 practice test with answers campbell essential bio - Jan 13 2022

web study guide for ten editions of campbell biology eric j simon is a professor in the department of biology and health science at new england college in henniker new

campbell biology a global approach 12 e pearson - Nov 10 2021

study guide for campbell biology 9780321833921 quizlet - May 29 2023

web find step by step solutions and answers to study guide for campbell biology 9780321833921 as well as thousands of textbooks so you can move forward with

biology pearson education - Dec 12 2021

web active reading guide answer key download only for campbell biology concepts and connections taylor simon dickey hogan isbn 13 9781292252896

campbell chapter outlines biolympiads - Apr 15 2022

web chapter 01 exploring life chapter 02 the chemical context of life chapter 03 water and the fitness of the environment chapter 04 carbon and the molecular diversity of

study guide for campbell biology 9780321629920 quizlet - Jul 31 2023

web vdomdhtmltml study guide for campbell biology 9780321629920 solutions and answers quizlet find step by step solutions and answers to study guide for

campbell biology online textbook help study com - Jul 19 2022

web oct 30 2023 chapter 1 lesson 1 biology the study of life 3 264 111 views like this course share course summary if you use the campbell biology online textbook in

study guide for campbell biology bartleby - Jun 29 2023

web dec 17 2016 physics textbook solutions for study guide for campbell biology 11th edition lisa a urry and others in this series view step by step homework solutions for

campbell biology ap edition 9th edition solutions and - Mar 27 2023

web our resource for campbell biology ap edition includes answers to chapter exercises as well as detailed information to walk you through the process step by step with expert

campbell biology 11th edition textbook solutions chegg com - Jan 25 2023

web how is chegg study better than a printed campbell biology 11th edition student solution manual from the bookstore our interactive player makes it easy to find solutions to

campbell biology 11th edition solutions course hero - Sep 20 2022

web chapter 9 cellular respiration and fermentation chapter 10 photosynthesis chapter 11 cell communication chapter 12 the cell cycle chapter 13 meiosis and sexual life cycles

schacheröffnungen richtig verstehen schachversand niggemann - Dec 19 2021

schacheröffnungen richtig verstehen collins sam amazon de - Aug 07 2023

web 6 schacheröffnungen richtig verstehen teil 5 flankeneröffnungen 203 englisch 204 symmetrie variante spiel am damenflügel 204 symmetrie variante spiel

schacheröffnungen richtig verstehen schachversand niggemann - Nov 29 2022

web dec 12 2006 amazon com schacheröffnungen richtig verstehen german edition 9781904600541 collins sam books *die besten schacheröffnungen für anfänger chess com* - Mar 02 2023

web buy schacheröffnungen richtig verstehen by sam collins online at alibris we have new and used copies available in 1 editions starting at 24 75 shop now

schacheröffnungen richtig verstehen gambit chess books - Jul 06 2023

web sam collins untersucht alle schacheröffnungen bietet einen leitfaden zu jeder kritischen hauptvariante und beschreibt die typischen strategien für beide seiten wobei auch die

schacheröffnungen richtig verstehen bücher de - Oct 29 2022

web jul 21 2022 auf amazon affiliate link schacheröffnungen richtig verstehen das buch von sam collins gilt als klassiker unter den eröffnungsbüchern der grund dafür liegt

schacheröffnungen richtig verstehen goodreads - Jun 05 2023

web collins s schacheröffnungen richtig verstehen wie moderne eröffnungen gespielt werden ein umfassender ratgeber sam collins buch taschenbuch deutsch englisch

schacheröffnungen richtig verstehen schacheröffnungen rich - Apr 22 2022

web ob schach lernen für erwachsene oder kinder hier sind sie richtig denn beim schachspiel ist nicht das glück sondern das können gefragt da am anfang die beiden

schacheröffnungen richtig verstehen collins schachgeflüster - Aug 27 2022

web heute stelle ich euch das buch schacheröffnungen richtig verstehen von sam collins vor dieses buch gibt einen super Überblick über alle schacheröffnungen

schacheröffnungen richtig verstehen 5 gründe warum schach - Mar 22 2022

web schacheröffnungen richtig verstehen ist ein all in one tool das deine it sicherheit verbessert und ihnen den vollen frieden gibt sichere deine geräte sichere ihre daten

schach lernen für anfänger die schachregeln werden erklärt - Feb 18 2022

web the store will not work correctly in the case when cookies are disabled

schacheröffnungen richtig verstehen german edition - Sep 27 2022

web jan 2 2023 2 schacheröffnungen richtig verstehen dieses umfangreiche werk von sam collins meister aus irland untersucht alle schacheröffnungen hervorzuheben sind

gambit publications limited schacheröffnungen richtig verstehen - Apr 03 2023

web schacheröffnungen richtig verstehen von sam collins kartonierter einband jetzt buch zum tiefpreis von chf 20 15 portofrei bei ex libris bestellen bücher zum ex libris

schacheröffnungen richtig verstehen schachversand - Oct 09 2023

web schacheröffnungen richtig verstehen die innovation des jahres schacheröffnungen richtig verstehen ist für viele menschen in den letzten jahren immer wichtiger

schacheröffnungen richt schacheröffnungen richtig verstehen - Sep 08 2023

web wie moderne eröffnungen gespielt werden ein umfassender ratgeber dieses bedeutende neue werk untersucht alle schacheröffnungen bietet einen leitfaden zu jeder kritischen

die 7 besten schachbücher für eröffnungen 2023 schachbrett - Jul 26 2022

web searching for schacheröffnungen richtig verstehen books online by sam collins visit bookswagon for all kinds of related books save upto 50 off free shipping cash on

buy schacheröffnungen richtig verstehen books online at - May 24 2022

web schacheröffnungen richtig verstehen hat eine vielzahl von vorteilen die menschen dabei unterstützen unterschiedliche lebensbereiche zu optimieren es ermöglicht

collins s schacheröffnungen richtig verstehen thalia - May 04 2023

web da es alle eröffnungen behandelt wird sich schacheröffnungen richtig verstehen für alle diejenigen von unschätzbarem wert erweisen deren ziel es ist ein repertoire

buchtipps 3 schacheröffnungen richtig verstehen youtube - Jun 24 2022

web schacheröffnungen richtig verstehen ein must have produkt für alle die nach qualität suchen das erstaunliche schacheröffnungen richtig verstehen produkt das in den

schacheröffnungen richtig verstehen von sam collins buch - Feb 01 2023

web dieses bedeutende neue werk untersucht alle schacheröffnungen bietet einen leitfaden zu jeder kritischen hauptvariante und zeichnet sich durch beschreibungen der typischen

schacheröffnungen richtig verstehen by sam collins alibris - Dec 31 2022

web schacheröffnungen richtig verstehen wie moderne eröffnungen gespielt werden ein umfassender ratgeber

schacheröffnungen richtig verstehen schacheröffnungen rich - Jan 20 2022

free read unlimited books online alonso j tratado de fitomedicina bases - Jun 19 2023

web read unlimited books online alonso j tratado de fitomedicina bases clinicas y farmacologicas pdf boo the neuroscience of depression apr 24 2020 the neuroscience of depression features diagnosis and treatment is a comprehensive reference to the diagnosis and treatment of depression this book

free medical books by amedeo com - Mar 04 2022

web a short guide to fast language learning pdf mp3 audio book 2nd edition bernd sebastian kamps et al flying publisher 2015 81 pp 978 3 924774 68 4 18 anatomy at a glance omar faiz david moffat blackwell science 2002 176 pp 1405133481 19 critical care in neurology kitchener hashem wahba khalaf zarif mansoor flying publisher

read unlimited books online alonso j tratado de fitomedicina bases - Mar 16 2023

web read unlimited books online alonso j tratado de fitomedicina bases clinicas y farmacologicas pdf boo toxicología clínica sep 27 2020 los autores se dirigen fundamentalmente a los servicios de urgencias hospitalarios y prehospitales y unidades de cuidados intensivos donde recaen las intoxicaciones agudas

download solutions read unlimited books online alonso j tratado de - Jan 14 2023

web read unlimited books online alonso j tratado de fitomedicina bases clinicas y farmacologicas pdf boo temas de terapéutica clínica jul 17 2020 farmacología clínica feb 10 2020 rang y dale farmacología oct 20 2020 nueva edición de este

texto de referencia en farmacología de reconocido

[read unlimited books online alonso j tratado de fitomedicina bases](#) - Apr 17 2023

web allowing you to get the most less latency period to download any of our books past this one merely said the read unlimited books online alonso j tratado de fitomedicina bases clinicas y farmacologicas boo is universally compatible with any devices to read understanding the gut bone signaling axis laura r mccabe 2017 11 02

read unlimited books online alonso j tratado de fitomedicina bases - Jul 08 2022

web read unlimited books online alonso j tratado de fitomedicina bases clinicas y farmacologicas pdf boo downloaded from videos bookbrush com by guest braedon greyson up the orinoco and down the magdalena national academies press follow los monstruos and los esqueletos to the halloween party under october s luna full and

read unlimited books online alonso j tratado de fitomedicina bases - Nov 12 2022

web read unlimited books online alonso j tratado de fitomedicina bases clinicas y farmacologicas boo read unlimited books online alonso j tratado de fitomedicina bases clinicas y farmacologicas boo 1 downloaded from donate pfi org on 2022 10 08 by guest read unlimited books online alonso j tratado de fitomedicina bases

read unlimited s online alonso j tratado de fitomedicina bases clinicas - Jun 07 2022

web tratado de fitomedicina bases clinicas y farmacologicas pdf boo book that will provide you worth get the unconditionally best seller from us currently from several preferred authors

[read unlimited books online alonso j tratado de fitomedicina bases](#) - May 18 2023

web read unlimited books online alonso j tratado de fitomedicina bases clinicas y farmacologicas pdf boo as plantas na odontologia oct 28 2021 a utilização das plantas medicinais na odontologia encyclopaedia of world medicinal plants nov 28 2021 handbook of phytonutrients in indigenous fruits and vegetables apr 14 2023

read unlimited books online alonso j tratado de fitomedicina bases - Feb 15 2023

web read unlimited books online alonso j tratado de fitomedicina bases clinicas y farmacologicas pdf boo unlimited online game apr 17 2023 long fei was a jobless youth who had coincidentally entered a game from the future long fei raised his sword and roared towards the sky good i will not only rewrite history but also live a wonderful life

read unlimited books online alonso j tratado de fitomedicina bases - Dec 13 2022

web this book is an accessible collection of case study scenarios ideal for physiology and pharmacology revision for pharmacy medical biomedical science clinical science and healthcare students clearly structured and organized by major organ system the book emphasises ways in which key signs and symptoms of

100 medical books for free pdf infobooks org - Apr 05 2022

web looking for medical books here we present more than 100 books that you can read for free and download in pdf

tratado de fitomedicina bases clínicas y farmacológicas - Oct 23 2023

web home pesquisa tratado de fitomedicina bases clínicas y farmacológicas tratado de fitomedicina bases clínicas y farmacológicas alonso jorge r buenos aires isis 1998 1039 p monografia em espanhol lilacs express binacis id biblio 1211698 biblioteca responsável ar40 1 localização text ar40 1 b wb 925 c alo

read unlimited books online alonso j tratado de fitomedicina bases - Oct 11 2022

web 4 read unlimited books online alonso j tratado de fitomedicina bases clinicas y farmacologicas pdf boo 2023 03 29 qaeda what then will replace famine plague and war at the top of the human agenda as the self made gods of planet earth what destinies will we set ourselves and which quests will we undertake homo deus explores the

read unlimited s online alonso j tratado de fitomedicina bases clinicas - Sep 22 2023

web read unlimited s online alonso j tratado de fitomedicina bases clinicas y farmacologicas pdf boo read unlimited s online alonso j tratado de fitomedicina bases clinicas y farmacologicas pdf boo 1 downloaded from rjonline org on

read unlimited books online alonso j tratado de fitomedicina bases - Sep 10 2022

web 2 read unlimited books online alonso j tratado de fitomedicina bases clinicas y farmacologicas pdf boo 2022 12 14 the english novel st martin s press when the man you worshipped as a kid becomes your coach it s supposed to be the greatest thing in the world keywords supposed to it didn t take

read unlimited books online alonso j tratado de fitomedicina bases - Aug 21 2023

web we have the funds for read unlimited books online alonso j tratado de fitomedicina bases clinicas y farmacologicas boo and numerous books collections from fictions to scientific research in any way in the course of them is this read unlimited books online alonso j tratado de fitomedicina bases clinicas y farmacologicas boo that can

read unlimited books online alonso j tratado de fitomedicina bases - Jul 20 2023

web sep 28 2023 read unlimited books online alonso j tratado de fitomedicina bases clinicas y farmacologicas pdf boo 1 9 downloaded from uniport edu ng on september 28 2023 by guest read unlimited books online alonso j tratado de fitomedicina bases clinicas y farmacologicas pdf boo

free medical books download ebooks online textbooks - May 06 2022

web welcome to the medical webpage dedicated to providing free medical book downloads and online tutorials for students and doctors we offer a wide range of medical books including beginner and advanced level textbooks lecture notes and other study materials all of our books are available for free download in pdf format or online making it

read unlimited books online alonso j tratado de fitomedicina bases - Aug 09 2022

web read unlimited books online alonso j tratado de fitomedicina bases clinicas y farmacologicas pdf boo downloaded from retailer bonide com by guest schmidt danielle the price of god s miracle working power london e grant richards my favorite

book of the year was tin man sparsely written and achingly beautiful the