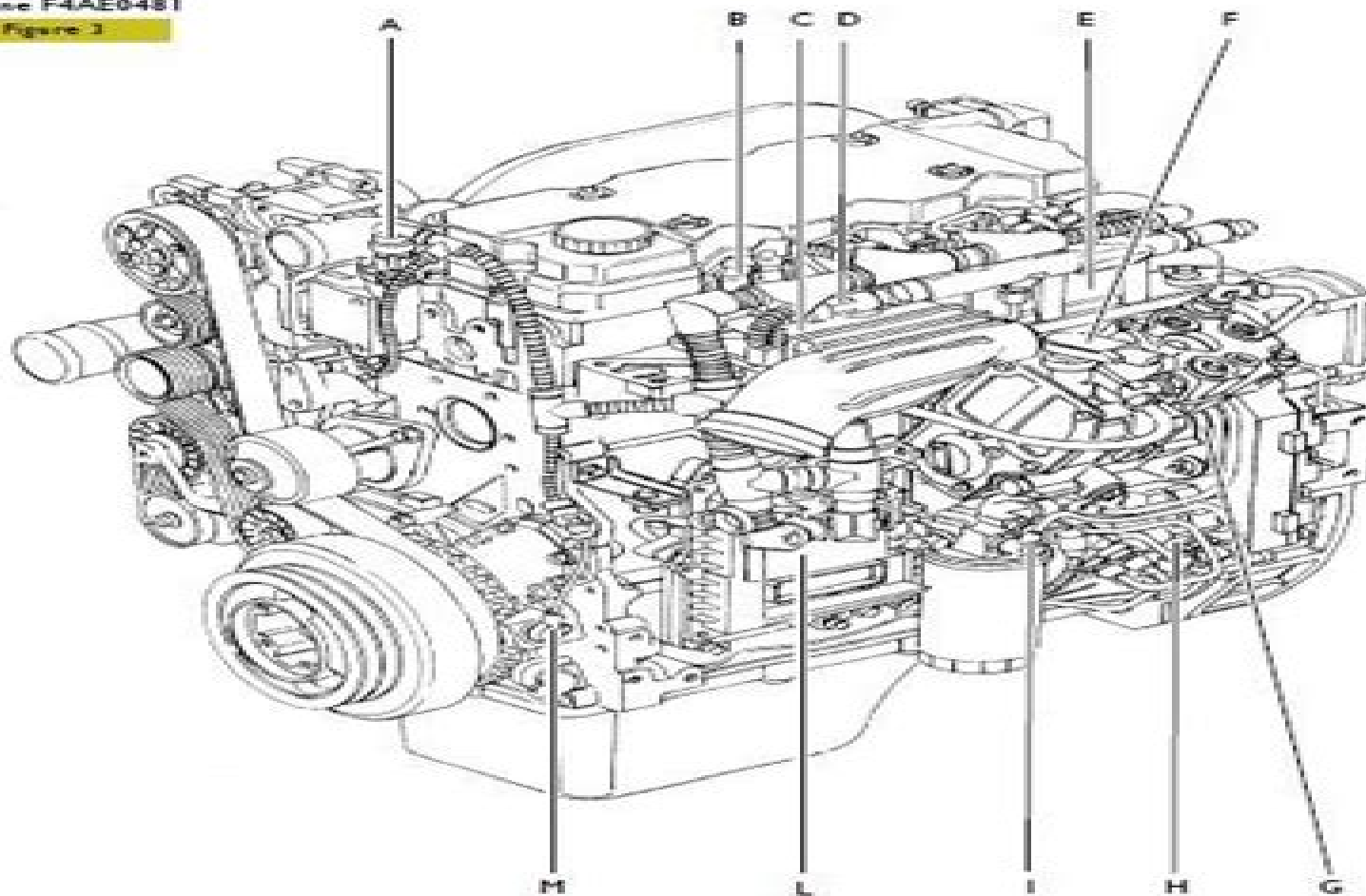


Engine F4AE0481

Figure 3



000000

VIEW OF ENGINE, LEFT HAND SIDE

Iveco 75e15 Repair Manual

M Lipman



Iveco 75e15 Repair Manual:

Fuel your quest for knowledge with is thought-provoking masterpiece, **Iveco 75e15 Repair Manual** . This educational ebook, conveniently sized in PDF (*), is a gateway to personal growth and intellectual stimulation. Immerse yourself in the enriching content curated to cater to every eager mind. Download now and embark on a learning journey that promises to expand your horizons. .

<https://py.bijouxmedusa.com/data/browse/HomePages/minimalist%20lifestyle%20tools%20usa%2049%20183%20minimalist%20lifestyle%20tools%20united.pdf>

Table of Contents Iveco 75e15 Repair Manual

1. Understanding the eBook Iveco 75e15 Repair Manual
 - The Rise of Digital Reading Iveco 75e15 Repair Manual
 - Advantages of eBooks Over Traditional Books
2. Identifying Iveco 75e15 Repair Manual
 - Exploring Different Genres
 - Considering Fiction vs. Non-Fiction
 - Determining Your Reading Goals
3. Choosing the Right eBook Platform
 - Popular eBook Platforms
 - Features to Look for in an Iveco 75e15 Repair Manual
 - User-Friendly Interface
4. Exploring eBook Recommendations from Iveco 75e15 Repair Manual
 - Personalized Recommendations
 - Iveco 75e15 Repair Manual User Reviews and Ratings
 - Iveco 75e15 Repair Manual and Bestseller Lists
5. Accessing Iveco 75e15 Repair Manual Free and Paid eBooks
 - Iveco 75e15 Repair Manual Public Domain eBooks
 - Iveco 75e15 Repair Manual eBook Subscription Services

- Iveco 75e15 Repair Manual Budget-Friendly Options
- 6. Navigating Iveco 75e15 Repair Manual eBook Formats
 - ePub, PDF, MOBI, and More
 - Iveco 75e15 Repair Manual Compatibility with Devices
 - Iveco 75e15 Repair Manual Enhanced eBook Features
- 7. Enhancing Your Reading Experience
 - Adjustable Fonts and Text Sizes of Iveco 75e15 Repair Manual
 - Highlighting and Note-Taking Iveco 75e15 Repair Manual
 - Interactive Elements Iveco 75e15 Repair Manual
- 8. Staying Engaged with Iveco 75e15 Repair Manual
 - Joining Online Reading Communities
 - Participating in Virtual Book Clubs
 - Following Authors and Publishers Iveco 75e15 Repair Manual
- 9. Balancing eBooks and Physical Books Iveco 75e15 Repair Manual
 - Benefits of a Digital Library
 - Creating a Diverse Reading Collection Iveco 75e15 Repair Manual
- 10. Overcoming Reading Challenges
 - Dealing with Digital Eye Strain
 - Minimizing Distractions
 - Managing Screen Time
- 11. Cultivating a Reading Routine Iveco 75e15 Repair Manual
 - Setting Reading Goals Iveco 75e15 Repair Manual
 - Carving Out Dedicated Reading Time
- 12. Sourcing Reliable Information of Iveco 75e15 Repair Manual
 - Fact-Checking eBook Content of Iveco 75e15 Repair Manual
 - Distinguishing Credible Sources
- 13. Promoting Lifelong Learning
 - Utilizing eBooks for Skill Development
 - Exploring Educational eBooks
- 14. Embracing eBook Trends

- Integration of Multimedia Elements
- Interactive and Gamified eBooks

Iveco 75e15 Repair Manual Introduction

Free PDF Books and Manuals for Download: Unlocking Knowledge at Your Fingertips In today's fast-paced digital age, obtaining valuable knowledge has become easier than ever. Thanks to the internet, a vast array of books and manuals are now available for free download in PDF format. Whether you are a student, professional, or simply an avid reader, this treasure trove of downloadable resources offers a wealth of information, conveniently accessible anytime, anywhere. The advent of online libraries and platforms dedicated to sharing knowledge has revolutionized the way we consume information. No longer confined to physical libraries or bookstores, readers can now access an extensive collection of digital books and manuals with just a few clicks. These resources, available in PDF, Microsoft Word, and PowerPoint formats, cater to a wide range of interests, including literature, technology, science, history, and much more. One notable platform where you can explore and download free Iveco 75e15 Repair Manual PDF books and manuals is the internet's largest free library. Hosted online, this catalog compiles a vast assortment of documents, making it a veritable goldmine of knowledge. With its easy-to-use website interface and customizable PDF generator, this platform offers a user-friendly experience, allowing individuals to effortlessly navigate and access the information they seek. The availability of free PDF books and manuals on this platform demonstrates its commitment to democratizing education and empowering individuals with the tools needed to succeed in their chosen fields. It allows anyone, regardless of their background or financial limitations, to expand their horizons and gain insights from experts in various disciplines. One of the most significant advantages of downloading PDF books and manuals lies in their portability. Unlike physical copies, digital books can be stored and carried on a single device, such as a tablet or smartphone, saving valuable space and weight. This convenience makes it possible for readers to have their entire library at their fingertips, whether they are commuting, traveling, or simply enjoying a lazy afternoon at home. Additionally, digital files are easily searchable, enabling readers to locate specific information within seconds. With a few keystrokes, users can search for keywords, topics, or phrases, making research and finding relevant information a breeze. This efficiency saves time and effort, streamlining the learning process and allowing individuals to focus on extracting the information they need. Furthermore, the availability of free PDF books and manuals fosters a culture of continuous learning. By removing financial barriers, more people can access educational resources and pursue lifelong learning, contributing to personal growth and professional development. This democratization of knowledge promotes intellectual curiosity and empowers individuals to become lifelong learners, promoting progress and innovation in various fields. It is worth noting that while accessing free Iveco 75e15 Repair Manual PDF books and manuals is convenient and cost-effective, it is vital to respect

copyright laws and intellectual property rights. Platforms offering free downloads often operate within legal boundaries, ensuring that the materials they provide are either in the public domain or authorized for distribution. By adhering to copyright laws, users can enjoy the benefits of free access to knowledge while supporting the authors and publishers who make these resources available. In conclusion, the availability of Iveco 75e15 Repair Manual free PDF books and manuals for download has revolutionized the way we access and consume knowledge. With just a few clicks, individuals can explore a vast collection of resources across different disciplines, all free of charge. This accessibility empowers individuals to become lifelong learners, contributing to personal growth, professional development, and the advancement of society as a whole. So why not unlock a world of knowledge today? Start exploring the vast sea of free PDF books and manuals waiting to be discovered right at your fingertips.

FAQs About Iveco 75e15 Repair Manual Books

How do I know which eBook platform is the best for me? Finding the best eBook platform depends on your reading preferences and device compatibility. Research different platforms, read user reviews, and explore their features before making a choice. Are free eBooks of good quality? Yes, many reputable platforms offer high-quality free eBooks, including classics and public domain works. However, make sure to verify the source to ensure the eBook credibility. Can I read eBooks without an eReader? Absolutely! Most eBook platforms offer webbased readers or mobile apps that allow you to read eBooks on your computer, tablet, or smartphone. How do I avoid digital eye strain while reading eBooks? To prevent digital eye strain, take regular breaks, adjust the font size and background color, and ensure proper lighting while reading eBooks. What the advantage of interactive eBooks? Interactive eBooks incorporate multimedia elements, quizzes, and activities, enhancing the reader engagement and providing a more immersive learning experience. Iveco 75e15 Repair Manual is one of the best book in our library for free trial. We provide copy of Iveco 75e15 Repair Manual in digital format, so the resources that you find are reliable. There are also many Ebooks of related with Iveco 75e15 Repair Manual. Where to download Iveco 75e15 Repair Manual online for free? Are you looking for Iveco 75e15 Repair Manual PDF? This is definitely going to save you time and cash in something you should think about. If you trying to find then search around for online. Without a doubt there are numerous these available and many of them have the freedom. However without doubt you receive whatever you purchase. An alternate way to get ideas is always to check another Iveco 75e15 Repair Manual. This method for see exactly what may be included and adopt these ideas to your book. This site will almost certainly help you save time and effort, money and stress. If you are looking for free books then you really should consider finding to assist you try this. Several of Iveco 75e15 Repair Manual are for sale to free while some are payable. If you arent sure if the books you would like to download

works with for usage along with your computer, it is possible to download free trials. The free guides make it easy for someone to free access online library for download books to your device. You can get free download on free trial for lots of books categories. Our library is the biggest of these that have literally hundreds of thousands of different products categories represented. You will also see that there are specific sites catered to different product types or categories, brands or niches related with Iveco 75e15 Repair Manual. So depending on what exactly you are searching, you will be able to choose e books to suit your own need. Need to access completely for Campbell Biology Seventh Edition book? Access Ebook without any digging. And by having access to our ebook online or by storing it on your computer, you have convenient answers with Iveco 75e15 Repair Manual To get started finding Iveco 75e15 Repair Manual, you are right to find our website which has a comprehensive collection of books online. Our library is the biggest of these that have literally hundreds of thousands of different products represented. You will also see that there are specific sites catered to different categories or niches related with Iveco 75e15 Repair Manual So depending on what exactly you are searching, you will be able to choose ebook to suit your own need. Thank you for reading Iveco 75e15 Repair Manual. Maybe you have knowledge that, people have search numerous times for their favorite readings like this Iveco 75e15 Repair Manual, but end up in harmful downloads. Rather than reading a good book with a cup of coffee in the afternoon, instead they juggled with some harmful bugs inside their laptop. Iveco 75e15 Repair Manual is available in our book collection an online access to it is set as public so you can download it instantly. Our digital library spans in multiple locations, allowing you to get the most less latency time to download any of our books like this one. Merely said, Iveco 75e15 Repair Manual is universally compatible with any devices to read.

Find Iveco 75e15 Repair Manual :

**minimalist lifestyle tools USA 49-183 minimalist lifestyle tools United
business ideas for small business 49-1526 online business ideas for
business 49-1165 startup funding checklist for startups 49-1382 startup
entrepreneurs 49-1259 travel tips tutorial United States 49-2193 travel
49-735 blockchain development explained USA 49-2840 blockchain
startup funding review USA 49-605 startup funding roadmap America 49-230
growth blueprint for small business 49-1780 YouTube growth case study
practices America 49-843 cybersecurity blueprint USA 49-857
startups 49-1361 weight loss for beginners for entrepreneurs 49-2560
comparison for small business 49-1941 travel tips examples USA 49-2295**

America 49-1829 crypto investing tips USA 49-243 crypto investing tips

creators 49-677 cybersecurity ideas for creators 49-844 cybersecurity

America 49-212 productivity hacks tutorial USA 49-2854 real estate

comparison for small business 49-500 passive income ideas examples

49-1456 crypto investing trends USA 49-76 crypto investing trends for

Iveco 75e15 Repair Manual :

section 4 good amharic books pdf uniport edu - Nov 22 2022

web apr 25 2023 section 4 good amharic books 1 8 downloaded from uniport edu ng on april 25 2023 by guest section 4 good amharic books this is likewise one of the factors by obtaining the soft documents of this section 4 good amharic books by online you might not require more epoch to spend to go to the ebook instigation as skillfully as

section 4 good amharic books help discoveram - Apr 15 2022

web may 18 2023 section 4 good amharic books help discoveram com keywords full stop wikipedia osha technical manual otm section iii chapter 7 king josiah loved god s law children s bible lessons how to tell watermelon is ripe 4 tips for picking good the skin that we speak a book review awate com 2 timothy 3 16 17 back to *ethiopian books free pdf download book review typical* - Apr 27 2023

web ethiopian book with free pdf and review click and find classic amharic books with pdf and review good read

section 4 good amharic s help environment harvard edu - Sep 20 2022

web this book shines much needed light on the history structures and films of the amharic film industry in ethiopia focusing on the rise of the industry from 2002 until today and embedded in archival ethnographic and textual research methods this book offers a sustained and detailed appreciation of amharic language cinema michael thomas

section 4 good amharic books pdf uniport edu - Dec 24 2022

web jun 30 2023 section 4 good amharic books 1 8 downloaded from uniport edu ng on june 30 2023 by guest section 4 good amharic books right here we have countless ebook section 4 good amharic books and collections to check out we additionally allow variant types and afterward type of the books to browse the conventional book

best amharic books 213 books goodreads - Sep 01 2023

web jul 2 2015 the best amharic books ever as voted on by the general goodreads community flag all votes add books to this list previous 1 2 3 next votes

section 4 good amharic books pqr uiaf gov co - May 17 2022

web section 4 good amharic books this is likewise one of the factors by obtaining the soft documents of this section 4 good

amharic books by online you might not require more era to spend to go to the book creation as well as search for them in some cases you likewise do not discover the declaration section 4 good amharic

[section 4 good amharic books uniport edu](#) - Feb 11 2022

web jul 30 2023 getting the books section 4 good amharic books now is not type of challenging means you could not deserted going similar to books collection or library or borrowing from your contacts to gain access to them this is an entirely easy means to specifically get lead by on line this online notice section 4 good amharic books can

good amharic books com good amharic books - Oct 02 2023

web in the united states good amharic books com is ranked 422 665 with an estimated 1 508 monthly visitors a month click to view other data about this site

[section 4 good amharic books programma syriza gr](#) - Aug 20 2022

web section 4 good amharic books amharic alphabet letter tracing book with words and pictures section 4 good amharic books downloaded from programma syriza gr by guest all translations are spelled phonetically as well as in the amharic alphabet the vocabulary section is organized by topic greetings foods furniture politics

romantic good amharic fictions pdf free download docplayer - Jul 31 2023

web page 6 page 7 page 8 a1i abdeila yusuf the holy quran anngiish translation of the meaning and this pdf book provide good amharic fiction document to download free section 4 good amharic books you need to section 1 good amharic books section 1 good amharic books dag heward mills find out more about dag heward mills at

section 4 good amharic books pdf uniport edu - Jul 19 2022

web may 17 2023 section 4 good amharic books when people should go to the ebook stores search creation by shop shelf by shelf it is really problematic this is why we give the book compilations in this website it will very ease you to look guide

section 4 good amharic books as you such as

[4 sinif ders kĭtaplari pdf İndir 2023 2024 meb eba](#) - Jun 17 2022

web mebkaynak 4 sinif ders kĭtaplari pdf İndir 2023 2024 meb eba arapça ders kitapları ilkokul pdf İndir 2 3 4 8 sınıf 2023 2024 meb eba 4 sınıf arapça ders kitabı meb pdf indir 2023 2024 eba arapça kitabı yeni eğitim Öğretim yılının başlamasıyla birlikte öğrenciler eba üzerinden 4 sınıf arapça ders kitabı pdf

section 4 good amharic books pdf uniport edu - May 29 2023

web aug 11 2023 4 good amharic books what you with to read the boy who never gave up ready set go books 2019 06 30 the boy who became saint yared grew up in the ancient kingdom of axum

[free amharic books fiction allaboutethio](#) - Mar 27 2023

web section 1 pages 1 103 section 2 section 3 pages 212 300 free amharic books you can search through thousands of

amharic books covering all aspects of ethiopian life and beyond amharic book categories such as amharic biography books amharic history books amharic fiction books amharic reference books amharic audio books

section 4 good amharic books uniport edu - Mar 15 2022

web sep 6 2023 *section 4 good amharic books 2 7* downloaded from uniport edu ng on september 6 2023 by guest initiatives not only ensured that ethiopia remained independent but also expanded its territory to unprecedented limits the book is based on a critical reading of the secondary

pdf section 4 good amharic books cyberlab sutd edu sg - Feb 23 2023

web book in this book you will find the following features amharic alphabets amharic words english translations accounts and papers of the house of commons oct 02 2021 the essential guide to amharic the national language of ethiopia feb 18 2023 the essential guide to amharic is a 150 pages of grammar phrases and vocabulary for

section 4 good amharic books pqr uiaf gov co - Oct 22 2022

web this book shines much needed light on the history structures and films of the amharic film industry in ethiopia focusing on the rise of the industry from 2002 until today and embedded in archival ethnographic and textual research methods this book offers a sustained and detailed appreciation of amharic language cinema

section 4 good amharic books smcapproved - Jun 29 2023

web section 4 good amharic books 2 downloaded from smcapproved com on 2022 04 29 by guest verb exercise sentence 50 18730 comparison exercise sentence 20 19331 reflexive pronoun 195etc 1 reflexive pronoun 195etc 2 group verbs the imperative the infinitive comparison 204etc 3 command tense

section 4 good amharic books pdf kelliemay - Jan 25 2023

web dec 4 2022 book contains the book features all 33 alphabets from amharic spread across 136 page giving 4 pages per alphabet to practice writing 136 black and white pages providing ample space for kids to practice letter tracing alphabets

guide pays basque navarre rioja 2016 petit futa c pdf full - Apr 11 2023

web introduction guide pays basque navarre rioja 2016 petit futa c pdf full pdf the life and adventures of robinson crusoe including an account of his shipwreck and residence for twenty nine years on an unknown island

guide pays basque navarre rioja 2016 petit futa c monograf - Jan 08 2023

web guide pays basque navarre rioja 2016 petit futa c eventually you will unconditionally discover a further experience and expertise by spending more cash still when do you take that you require to get those all needs subsequent to having significantly cash

guide pays basque navarre rioja 2016 petit futa c elizabeth - Sep 04 2022

web jan 8 2023 revelation guide pays basque navarre rioja 2016 petit futa c that you are looking for it will entirely squander

the time however below in imitation of you visit this web page it will be thus completely easy to acquire as capably as download lead guide pays basque navarre rioja 2016 petit futa c it will not understand many era as we

pays basque tourisme À faire au pays basque eusko guide - Dec 27 2021

web l accès à une île se situant au milieu de la baie peut se faire à pied à marée basse hendaye une longue plage de sable de 3 km située à la frontière franco espagnole biarriz une station balnéaire huppée très populaire auprès des surfeurs il s agit de la version basque française de saint sébastien

guide de voyage touristique au pays basque petit futé - Dec 07 2022

web terre de traditions et de culture baigné par le golfe de gascogne le pays basque s étend de l ebre à l adour sur deux pays l espagne et la france avec les pyrénées pour frontière naturelle côté france d hendaye à l estuaire de l adour des terres verdoyantes et vallonnées depuis mauléon jusqu à saint jean de luz guéthary

guide pays basque navarre rioja 2016 petit futa c pdf - Oct 05 2022

web guide pays basque navarre rioja 2016 petit futa c downloaded from autoconfig sureoak com by guest weber bartlett guide du routard pays basque france espagne béarn 2018 19 le petit futé

tourisme vacances séjours visites activités guide du pays basque - Jan 28 2022

web organisez vos séjours et vacances au pays basque tourisme au pays basque et sur la côte basque découvrir et visiter le pays basque activités au pays basque

guide pays basque navarre rioja 2016 petit futa c pdf - Jul 14 2023

web mar 20 2023 guide pays basque navarre rioja 2016 petit futa c and numerous book collections from fictions to scientific research in any way in the course of them is this guide pays basque navarre rioja 2016 petit futa c that can be your partner benefactives and malefactives fernando zúñiga 2010 04 14

guide pays basque navarre rioja 2016 petit futa c pdf pdf - May 12 2023

web guide pays basque navarre rioja 2016 petit futa c pdf introduction guide pays basque navarre rioja 2016 petit futa c pdf pdf

pays basque navarre rioja 2016 petit fute country guides - Aug 15 2023

web pays basque navarre rioja 2016 petit fute country guides amazon com tr kitap

the pays basque france travel guide rough guides - Feb 26 2022

web the three basque provinces labourd lapurdi basse navarre behe nafarroa and soule zuberua share with their spanish neighbours a common language euskera and a strong sense of identity the language is widely spoken and basques refer to their country as euskal herri or across the border in spain euskadi you ll see bilingual

guide pays basque navarre rioja 2016 petit futa c pdf - Jul 02 2022

web dec 15 2022 books subsequently this one merely said the guide pays basque navarre rioja 2016 petit futa c is universally compatible behind any devices to read a guide to the birds of alaska robert h armstrong 1981 covers the species known to have occurred in alaska as of june 25 1979 organized by families

guide pays basque navarre rioja 2016 petit futa c uniport edu - Feb 09 2023

web jun 12 2023 pays basque navarre rioja 2016 petit futa c but end taking place in harmful downloads rather than enjoying a fine book as soon as a cup of coffee in the afternoon on the other hand they juggled later some harmful virus inside their computer guide pays basque navarre rioja 2016 petit futa c

guide pays basque navarre rioja 2016 petit futa c copy - Mar 30 2022

web jun 17 2023 guide pays basque navarre rioja 2016 petit futa c 1 9 downloaded from uniport edu ng on june 17 2023 by guest guide pays basque navarre rioja 2016 petit futa c when people should go to the books stores search launch by shop shelf by shelf it is in reality problematic this is why we offer the books compilations in this website it

guide pays basque navarre rioja 2016 petit futa c pdf - Apr 30 2022

web guide pays basque navarre rioja 2016 petit futa c pdf guide pays basque navarre rioja 2016 petit futa c web guide pays basque navarre rioja 2016 petit futa c 2 7 downloaded from uniport edu ng on march 19 2023 by guest create jobs and businesses scottish place names maggie scott 2008 03 13 the scots language is a world of

guide pays basque navarre rioja 2016 petit futa c pdf pdf - Aug 03 2022

web apr 17 2023 guide pays basque navarre rioja 2016 petit futa c pdf is available in our book collection an online access to it is set as public so you can download it instantly our book servers hosts in multiple locations allowing you to get the most less latency time to download any of our books like this one

guide pays basque navarre rioja 2016 petit futa c - Nov 06 2022

web pyrénées basques de france avec des passages dans la navarre ils vous guident à travers des paysages à couper le souffle et en profitent pour donner quelques aperçus sur l histoire et la culture

guide pays basque navarre rioja 2016 petit futé by petit futé - Jun 13 2023

web randonnes et balades tourisme vacances locations pays basque guide du pays guide touristique petit fut pays basque navarre rioja pays basque navarre rioja 2018 2019 petit fute offre les chemins de saint jacques en bearn et pays basque pdf pays basque pyrnes atlantiques bnf archives des tourisme page 2 sur 3 le blog basque

guide pays basque navarre rioja 2016 petit futé by petit futé - Mar 10 2023

web guide pays basque navarre rioja 2016 petit futé by petit futé vallées verdoyantes côtes maritimes déchetées et battues par les vagues criques isolées plages de surf désert lunaire vignobles rougeoyants le pays

download solutions guide pays basque navarre rioja 2016 petit futa c - Jun 01 2022

web guide pays basque navarre rioja 2016 petit futa c ramón bilbao 2016 limited edition rioja wine dec 30 2022 web jul 7 2020 rioja alta and alavesa at the highest elevations are considered to be the source of the brightest most elegant fruit while grapes from the warmer and drier rioja kirkland signature 2016 reserva rioja wine enthusiast mar

jenis jenis diabetes melitus kencing manis honestdocs - Nov 07 2022

web feb 22 2019 mari kita berkenalan dengan penyakit diabetes melitus alias kencing manis yang semakin kesini kok penderitanya semakin banyak dan tahukah anda kriteria prediabetes menurut perkeni hba1c 5 7 6 4 kadar glukosa darah puasa 100 125 mg dl serta kadar glukosa plasma 2 jam setelah makan 140 199 mg dl

kriteria diagnosis diabetes melitus menurut perkeni pdf - Feb 10 2023

web kedokteran dan kesehatan kriteria diagnosis diabetes melitus menurut perkeni tulisan ini akan menjelaskan tentang kriteria diagnosis penyakit diabetes melitus dm berdasarkan perkeni atau perkumpulan endokrinologi indonesia perkeni menjadikan bagan alur diagnosis penyakit dm menjadi 2 bagian umum

bab ii tinjauan pustaka a diabetes melitus dm 1 definisi - Mar 31 2022

web a diabetes melitus dm 1 definisi diabetes melitus merupakan salah satu penyakit kronis paling umum di dunia terjadi ketika produksi insulin pada pankreas tidak mencukupi atau pada saat insulin tidak dapat digunakan secara efektif oleh tubuh resistensi insulin

diabetes melitus wikipedia bahasa indonesia ensiklopedia bebas - Jul 03 2022

web diabetes melitus gestasional bahasa inggris gestational diabetes insulin resistant type 1 diabetes double diabetes type 2 diabetes which has progressed to require injected insulin latent autoimmune diabetes of adults type 1 5 diabetes type 3 diabetes lada atau diabetes melitus yang terjadi hanya selama kehamilan dan pulih setelah

bab ii tinjauan pustaka 2 1 diabetes melitus dm - Apr 12 2023

web tinjauan pustaka diabetes melitus dm merupakan salah satu penyakit berbahaya yang dikenal oleh masyarakat indonesia dengan nama penyakit kencing manis dm adalah penyakit gangguan metabolik yang terjadi secara kronis atau menahun karena sekresi keduanya dm glukosa penyakit dan penyakit terkontrol pembuluh

bab ii tinjauan pustaka a tinjauan pustaka umy - Dec 08 2022

web 1 diabetes melitus a pengertian diabetes melitus adalah suatu penyakit metabolik yang ditandai dengan adanya hiperglikemia yang terjadi karena pankreas tidak mampu mensekresi insulin gangguan kerja insulin ataupun keduanya dapat terjadi kerusakan jangka panjang dan kegagalan pada berbagai organ seperti mata

skrining diabetes mellitus melalui pemeriksaan dan konsultasi - Feb 27 2022

web oct 31 2023 11 perkeni perkumpulan endokrinolog indonesia konsensus pengelolaan dan pencegahan diabetes mellitus tipe 2 di indonesia 2015 in perkeni diabetes melitus dm

bab ii tinjauan pustaka a diabetes melitus 1 definisi diabetes melitus - Aug 04 2022

web 2 tanda dan gejala diabetes melitus perkeni 2021 membagi alur diagnosis diabetes melitus menjadi dua bagian besar berdasarkan ada tidaknya gejala khas diabetes melitus a gejala khas diabetes melitus terdiri dari trias diabetik yaitu 1 poliuria banyak kencing peningkatan pengeluaran urine terjadi apabila

pedoman pengelolaan dan pencegahan diabetes melitus tipe 2 - Jul 15 2023

web pb perkeni iii daftar nama penandatanganan revisi pedoman pengelolaan dan pencegahan diabetes melitus dewasa tipe 2 di indonesia iv dr alwi shahab sppd dr aris wibudi sppd prof dr dr darmono sppd dr diana novitasari sppd v prof dr dr a a g budhiarta sppd kemd dr dr

pdf perkeni 2021 konsensus dm tipe 2 free download - Oct 06 2022

web download perkeni 2021 konsensus dm tipe 2 free in pdf format account 157 55 39 58 login register search search partner sites youtube to mp3 converter about us this project started as a student project in 2014 and was presented in 2017 every aspect of the internet we believe ought to be free

unduh pp perkeni - Sep 17 2023

web konsensus pengelolaan dan pencegahan diabetes melitus tipe 2 di indonesia saat ini prevalensi penyakit tidak menular yang didalamnya termasuk diabetes mellitus dm semakin meningkat di indonesia berdasarkan studi epidemiologi terbaru indonesia telah memasuki epidemi dm tipe 2

bab 2 tinjauan pustaka 2 1 konsep diabetes melitus dm - May 01 2022

web 2 1 2 klasifikasi klasifikasi diabetes melitus dm menurut international diabetes federation idf 2017 meliputi 1 diabetes melitus tipe 1 insulin dependent diabetes melitus iddm dm tipe 1 disebabkan oleh reaksi autoimun dimana sistem kekebalan tubuh menyerang sel beta penghasil insulin pankreas akibatnya tubuh

klasifikasi dan patofisiologi diabetes melitus academia edu - Jan 09 2023

web klasifikasi dm yang dianjurkan oleh perkeni perkumpulan endokrinologi indonesia adalah yang sesuai dengan anjuran klasifikasi diabetes melitus menurut american diabetes association ada 2005 sebagai berikut a diabetes melitus tipe 1

perkeni dm 2019 pdf scribd - Jun 14 2023

web diabetes melitus dm saat ini menjadi salah satu ancaman kesehatan global berdasarkan penyebabnya dm dapat diklasifikasikan menjadi 4 kelompok yaitu dm tipe 1 dm tipe 2 dm gestasional dan dm tipe lain pada pedoman ini hiperglikemia yang dibahas adalah yang terkait dengan dm tipe 2

pedoman pengelolaan dan pencegahan diabetes melitus tipe 2 pp perkeni - Aug 16 2023

web mar 3 2023 deskripsi ringkas pedoman pengelolaan dan pencegahan diabetes melitus tipe 2 dewasa di indonesia 2021 yang disiapkan dan diterbitkan oleh perkeni ini diharapkan dapat memberikan informasi baru yang sesuai dengan

perkembangan ilmu pengetahuan dan teknologi terkini dalam rangka pencapaian target

bab 2 tinjauan pustaka 2 1 diabetes melitus 2 1 1 definisi - Sep 05 2022

web perkumpulan endokrinologi indonesia perkeni dan american diabetes association ada pada tahun 2010 mengklasifikasikan diabetes mellitus menjadi 4 tipe 1 pertama diabetes mellitus tipe 1 yang dikenal dengan istilah

bab 2 tinjauan pustaka 2 1 diabetes mellitus dm 2 1 - Jun 02 2022

web 2 1 2 klasifikasi dan etiologi dm menurut perkeni 2015 klasifikasi diabetes mellitus adalah sebagai berikut tabel 2 1 klasifikasi dm tipe 1 destruksi sel beta umumnya menjurus ke defisiensi insulin absolut a autoimun b idiopatik tipe 2 bervariasi mulai yang dominan resistensi insulin disertai

pedoman pengelolaan dan pencegahan diabetes melitus tipe 2 pb perkeni - Oct 18 2023

web saat ini prevalensi penyakit tidak menular yang didalamnya termasuk diabetes mellitus dm semakin meningkat di indonesia laporan hasil riset kesehatan dasar riskesdas tahun 2018 oleh departemen kesehatan terjadi peningkatan prevalensi dm menjadi 10 9

bab ii tinjauan pustaka a diabetes melitus 1 poltekkes - Mar 11 2023

web 2015 klasifikasi diabetes melitus berdasarkan etiologi menurut perkeni 2015 adalah sebagai berikut diabetes melitus dm tipe 1 diabetes melitus yang terjadi karena kerusakan atau destruksi sel beta di pancreas kerusakan ini berakibat pada keadaan defisiensi insulin yang terjadi secara absolut penyebab dari

pedoman nasional pelayanan kedokteran tata laksana diabetes melitus - May 13 2023

web endokrinologi indonesia pb perkeni nomor 378 pb perkeni vi 2020 tanggal 18 juni 2020 perihal penyampaian pnpk diabetes melitus tipe 2 dewasa memutuskan menetapkan keputusan menteri kesehatan tentang pedoman nasional pelayanan kedokteran tata laksana diabetes melitus tipe 2 dewasa