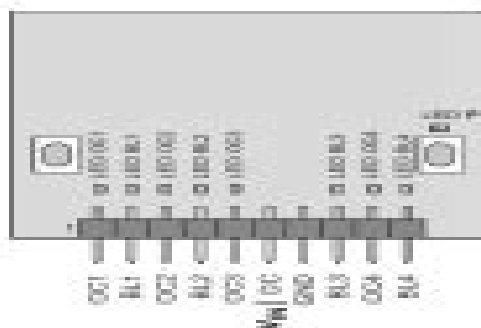
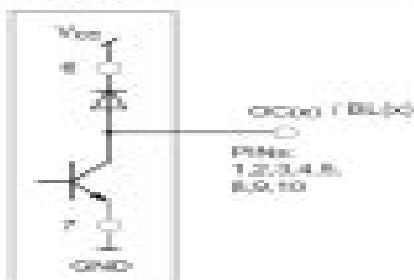


Model

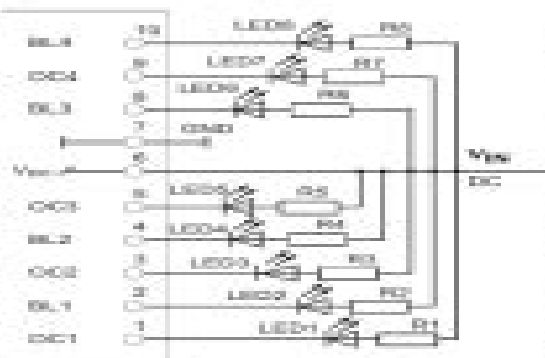


RCD21E3004A01	3.0 V - 8.0 V
RCD21E3004A00	8.0 V - 36.0 V

Output Stage OC(x)



Example of circuit



Technical Details

Frequency: 868.3 MHz
 Modulation: FSK
 Coding: Easycode
 32 Codes per output (OC1-OC4)

Power supply:

RCD21E3004A01 $V_{bat} = (3.0 - 8.0) \text{ V DC } \pm 5 \%$
 RCD21E3004A00 $V_{bat} = (8.0 - 36.0) \text{ V DC } \pm 5 \%$

Max. Current consumption:

RCD21E3004A01 max. 28 mA
 RCD21E3004A00
 8 V: 25 mA
 10 V: 30 mA
 24 V: 20 mA
 36 V: 20 mA

Output:

4x Open-Collector (OC1 - OC4)
 4x Open-Collector for Battery-Low display (BL1-BL4)

Max. output

load (OC): 28 mA

Operating Temperature: -30°C to +85°C

Dimensions (mm): 35/31 mm,
 3.2 mm pin length

Contact spacing: 2.54 pitch

Scope of Delivery:

Open-Collector-Receiver, operating instructions

Intended Use

This unit may only be used as a radio control system for low-voltage applications. The manufacturer shall not be liable for any damage caused by improper or non-intended use.

Safety Advice

Before using the device, carefully read through the operating instructions!

Have safety tests carried out by the manufacturer!

Do not make any unauthorized alterations or modifications to the receiver!

Function

The RCD21 is used for radio-controlled switching of electrical loads in the low voltage range. The operating modes ON/OFF 2-button and 1-button operation and the DEAD MAN control are available.

In each OC output 32 Easycode transmission codes can be programmed. A single transmitter code can be programmed into multiple outputs.

Also all OC outputs activated, a transmission code can be programmed in all outputs simultaneously, if it is not already programmed in one of the outputs.

In the operating mode the LED of the switched output lights.

If the battery of a programmed transmitter is weak an undervoltage telegram (BatteryLow (BL)) is sent. Upon the reception of this telegram the associated BL output is switched for 1 second. The corresponding LED-BL lights up for 1 second.

Operating modes

Operating mode (OM) LED flashing

ON/OFF
 2-button operation
 Transmission code A or C switches ON
 Transmission code B or D switches OFF

ON/OFF
 1-button operation
 Each transmitter code A/B/C/D can switch ON and OFF alternately

DEAD MAN
 1-button operation
 Each transmitter code A/B/C/D switches as long as the transmitter button is pressed (max. 30 s)

This transmitter button is then linked to the selected operating mode. (see chapter „Programming“)

General Information

Disposal

Waste electrical products must not be disposed of with household waste!

Dispose of the waste product via a collection point for electronic scrap or via your specialist dealer.

Put the packaging material into the recycling bins for cardboard, paper and plastic.

Warranty

Within the statutory warranty period we undertake to rectify free of charge by repair or replacement any product defects arising from material or production faults.

Any unauthorized tampering with, or modifications to, the product shall render this warranty null and void.

Conformity

Harsco ELDAT GmbH declares that the radio equipment type RCD21 is in compliance with Directive 2014/53/EU.

The full text of the EU declaration of conformity is available at the following internet address: www.eldat.de

Service

If, despite correct handling, faults or malfunctions occur or if the product was damaged, please contact your retailer or the manufacturer.

ELDAT GmbH

Im Gewerbepark 14
 13711 Märkte Wusterhausen
 Germany
 Phone: + 49 (0) 33 75 / 99 37-310
 Telefax: + 49 (0) 33 75 / 99 37-50
 Internet: www.eldat.de
 E-mail: info@eldat.de



Manual Rcd 21

Anthony S. Fauci



Manual Rcd 21:

Eventually, you will categorically discover a new experience and success by spending more cash. still when? get you acknowledge that you require to get those every needs behind having significantly cash? Why dont you attempt to acquire something basic in the beginning? Thats something that will lead you to understand even more a propos the globe, experience, some places, in the same way as history, amusement, and a lot more?

It is your certainly own become old to play in reviewing habit. among guides you could enjoy now is **Manual Rcd 21** below.

https://py.bijouxmedusa.com/results/book-search/HomePages/Small_Business_100_483_Blockchain_Development_Review_For_Startups.pdf

Table of Contents Manual Rcd 21

1. Understanding the eBook Manual Rcd 21
 - The Rise of Digital Reading Manual Rcd 21
 - Advantages of eBooks Over Traditional Books
2. Identifying Manual Rcd 21
 - Exploring Different Genres
 - Considering Fiction vs. Non-Fiction
 - Determining Your Reading Goals
3. Choosing the Right eBook Platform
 - Popular eBook Platforms
 - Features to Look for in an Manual Rcd 21
 - User-Friendly Interface
4. Exploring eBook Recommendations from Manual Rcd 21
 - Personalized Recommendations
 - Manual Rcd 21 User Reviews and Ratings
 - Manual Rcd 21 and Bestseller Lists
5. Accessing Manual Rcd 21 Free and Paid eBooks

- Manual Rcd 21 Public Domain eBooks
 - Manual Rcd 21 eBook Subscription Services
 - Manual Rcd 21 Budget-Friendly Options
6. Navigating Manual Rcd 21 eBook Formats
 - ePub, PDF, MOBI, and More
 - Manual Rcd 21 Compatibility with Devices
 - Manual Rcd 21 Enhanced eBook Features
 7. Enhancing Your Reading Experience
 - Adjustable Fonts and Text Sizes of Manual Rcd 21
 - Highlighting and Note-Taking Manual Rcd 21
 - Interactive Elements Manual Rcd 21
 8. Staying Engaged with Manual Rcd 21
 - Joining Online Reading Communities
 - Participating in Virtual Book Clubs
 - Following Authors and Publishers Manual Rcd 21
 9. Balancing eBooks and Physical Books Manual Rcd 21
 - Benefits of a Digital Library
 - Creating a Diverse Reading Collection Manual Rcd 21
 10. Overcoming Reading Challenges
 - Dealing with Digital Eye Strain
 - Minimizing Distractions
 - Managing Screen Time
 11. Cultivating a Reading Routine Manual Rcd 21
 - Setting Reading Goals Manual Rcd 21
 - Carving Out Dedicated Reading Time
 12. Sourcing Reliable Information of Manual Rcd 21
 - Fact-Checking eBook Content of Manual Rcd 21
 - Distinguishing Credible Sources
 13. Promoting Lifelong Learning
 - Utilizing eBooks for Skill Development

- Exploring Educational eBooks
14. Embracing eBook Trends
- Integration of Multimedia Elements
 - Interactive and Gamified eBooks

Manual Rcd 21 Introduction

In this digital age, the convenience of accessing information at our fingertips has become a necessity. Whether its research papers, eBooks, or user manuals, PDF files have become the preferred format for sharing and reading documents. However, the cost associated with purchasing PDF files can sometimes be a barrier for many individuals and organizations. Thankfully, there are numerous websites and platforms that allow users to download free PDF files legally. In this article, we will explore some of the best platforms to download free PDFs. One of the most popular platforms to download free PDF files is Project Gutenberg. This online library offers over 60,000 free eBooks that are in the public domain. From classic literature to historical documents, Project Gutenberg provides a wide range of PDF files that can be downloaded and enjoyed on various devices. The website is user-friendly and allows users to search for specific titles or browse through different categories. Another reliable platform for downloading Manual Rcd 21 free PDF files is Open Library. With its vast collection of over 1 million eBooks, Open Library has something for every reader. The website offers a seamless experience by providing options to borrow or download PDF files. Users simply need to create a free account to access this treasure trove of knowledge. Open Library also allows users to contribute by uploading and sharing their own PDF files, making it a collaborative platform for book enthusiasts. For those interested in academic resources, there are websites dedicated to providing free PDFs of research papers and scientific articles. One such website is Academia.edu, which allows researchers and scholars to share their work with a global audience. Users can download PDF files of research papers, theses, and dissertations covering a wide range of subjects. Academia.edu also provides a platform for discussions and networking within the academic community. When it comes to downloading Manual Rcd 21 free PDF files of magazines, brochures, and catalogs, Issuu is a popular choice. This digital publishing platform hosts a vast collection of publications from around the world. Users can search for specific titles or explore various categories and genres. Issuu offers a seamless reading experience with its user-friendly interface and allows users to download PDF files for offline reading. Apart from dedicated platforms, search engines also play a crucial role in finding free PDF files. Google, for instance, has an advanced search feature that allows users to filter results by file type. By specifying the file type as "PDF," users can find websites that offer free PDF downloads on a specific topic. While downloading Manual Rcd 21 free PDF files is convenient, its important to note that copyright laws must be respected. Always ensure that the PDF files you download are legally available for free. Many authors and publishers

voluntarily provide free PDF versions of their work, but its essential to be cautious and verify the authenticity of the source before downloading Manual Rcd 21. In conclusion, the internet offers numerous platforms and websites that allow users to download free PDF files legally. Whether its classic literature, research papers, or magazines, there is something for everyone. The platforms mentioned in this article, such as Project Gutenberg, Open Library, Academia.edu, and Issuu, provide access to a vast collection of PDF files. However, users should always be cautious and verify the legality of the source before downloading Manual Rcd 21 any PDF files. With these platforms, the world of PDF downloads is just a click away.

FAQs About Manual Rcd 21 Books

1. Where can I buy Manual Rcd 21 books? Bookstores: Physical bookstores like Barnes & Noble, Waterstones, and independent local stores. Online Retailers: Amazon, Book Depository, and various online bookstores offer a wide range of books in physical and digital formats.
2. What are the different book formats available? Hardcover: Sturdy and durable, usually more expensive. Paperback: Cheaper, lighter, and more portable than hardcovers. E-books: Digital books available for e-readers like Kindle or software like Apple Books, Kindle, and Google Play Books.
3. How do I choose a Manual Rcd 21 book to read? Genres: Consider the genre you enjoy (fiction, non-fiction, mystery, sci-fi, etc.). Recommendations: Ask friends, join book clubs, or explore online reviews and recommendations. Author: If you like a particular author, you might enjoy more of their work.
4. How do I take care of Manual Rcd 21 books? Storage: Keep them away from direct sunlight and in a dry environment. Handling: Avoid folding pages, use bookmarks, and handle them with clean hands. Cleaning: Gently dust the covers and pages occasionally.
5. Can I borrow books without buying them? Public Libraries: Local libraries offer a wide range of books for borrowing. Book Swaps: Community book exchanges or online platforms where people exchange books.
6. How can I track my reading progress or manage my book collection? Book Tracking Apps: Goodreads, LibraryThing, and Book Catalogue are popular apps for tracking your reading progress and managing book collections. Spreadsheets: You can create your own spreadsheet to track books read, ratings, and other details.
7. What are Manual Rcd 21 audiobooks, and where can I find them? Audiobooks: Audio recordings of books, perfect for listening while commuting or multitasking. Platforms: Audible, LibriVox, and Google Play Books offer a wide selection of audiobooks.

8. How do I support authors or the book industry? Buy Books: Purchase books from authors or independent bookstores. Reviews: Leave reviews on platforms like Goodreads or Amazon. Promotion: Share your favorite books on social media or recommend them to friends.
9. Are there book clubs or reading communities I can join? Local Clubs: Check for local book clubs in libraries or community centers. Online Communities: Platforms like Goodreads have virtual book clubs and discussion groups.
10. Can I read Manual Rcd 21 books for free? Public Domain Books: Many classic books are available for free as they're in the public domain. Free E-books: Some websites offer free e-books legally, like Project Gutenberg or Open Library.

Find Manual Rcd 21 :

~~small business 100-483 blockchain development review for startups~~
development tools for creators 100-409 blockchain development trends
~~computing best practices USA 100-1720 cloud computing best practices USA~~
100-2449 career growth strategies USA 100-806 career growth strategies
100-1953 dropshipping business ideas USA 100-2090 dropshipping business
monetization roadmap for creators 100-1931 blog monetization roadmap for
resume writing strategies USA 100-2361 resume writing strategies United
trends tutorial for small business 100-454 ecommerce trends tutorial for
strategies USA 100-1618 digital marketing strategies United States
small business 100-898 interview tips review USA 100-1122 interview tips
~~jobs tutorial for startups 100-1743 remote work apps United States~~
~~case study for startups 100-2677 sustainable living case study for~~
~~America 100-2037 self improvement tools America 100-608 self improvement~~
~~improvement blueprint America 100-157 credit score improvement blueprint~~
~~entrepreneurs 100-1366 healthy recipes step by step America 100-1519~~

Manual Rcd 21 :

first you write a sentence the elements of reading writing - Dec 06 2022

web penguin presents the audiobook edition of first you write a sentence by joe moran read by roy mcmillan the sentence is the common ground where every writer walks a poet

[first you write a sentence the elements of reading wr](#) - Jul 13 2023

web buy first you write a sentence the elements of reading writing and life by moran joe isbn 9780241978498 from amazon s book store everyday low prices

first you write a sentence the elements of reading writing - Apr 10 2023

web first you write a sentence the elements of reading writing and life moran joe amazon com tr kitap

first you write a sentence penguin random house - May 31 2022

web at the beginning of your paper you explain to your readers what s at stake why they should care about the argument you re making in your conclusion you can bring

first you write a sentence the elements of reading writing - Mar 09 2023

web dec 25 2018 first you write a sentence the elements of reading writing and life hardcover dec 25 2018 by joe moran author 499 ratings see all formats and editions

first you write a sentence the elements of reading writing - Nov 24 2021

first you write a sentence the elements of reading writing - Jul 01 2022

web feb 1 2023 whether dealing with finding the ideal word building a sentence or constructing a paragraph first you write a sentence informs by light example much

[loading interface goodreads](#) - Jan 27 2022

first you write a sentence the elements of reading writing - Aug 02 2022

web jun 23 2021 summary first you write a sentence the elements of reading writing shortcut edition google books books view sample add to my library

first you write a sentence the elements of reading - Jun 12 2023

web aug 13 2019 this witty primer will help the new york times book review an exploration of how the most ordinary words can be turned into verbal constellations of

[first you write a sentence the elements of reading](#) - May 11 2023

web whether dealing with finding the ideal word building a sentence or constructing a paragraph first you write a sentence informs by light example much richer than a

first you write a sentence the elements of reading - Mar 29 2022

web first you write a sentence the elements of reading writing and life ebook moran joe amazon in kindle store

conclusions harvard college writing center - Feb 25 2022

first you write a sentence the elements of reading - Sep 03 2022

web this witty primer will help the new york times book review an exploration of how the most ordinary words can be turned into verbal constellations of extraordinary grace

first you write a sentence the elements of reading writing - Oct 04 2022

web first you write a sentence is his unpedantic and authoritative explanation of how the most ordinary words can be turned into verbal constellations of extraordinary grace using

first you write a sentence the elements of reading - Aug 14 2023

web sep 1 2018 first you write a sentence then you write another one then you add to it and so a book is made writing can be the most self defining life affirming and cathartic

first you write a sentence the elements of reading writing - Nov 05 2022

web first you write a sentence the elements of reading writing and life ebook moran joe amazon com au kindle store

first you write a sentence the elements of reading writing - Jan 07 2023

web dec 31 2019 from the bible and shakespeare to orwell and diana athill first you write a sentence show us how the most ordinary words can be turned into verbal

first you write a sentence the elements of - Feb 08 2023

web dec 31 2019 first you write a sentence the elements of reading writing and life moran joe 9780241978511 books amazon ca

first you write a sentence the elements of reading - Dec 26 2021

summary first you write a sentence the elements of - Apr 29 2022

web discover and share books you love on goodreads

lessons for july 2023 r h boyd - Nov 09 2021

lessons for october 2023 r h boyd - Dec 11 2021

sunday school bible study pilot missionary baptist - Oct 21 2022

web august 15 2020 each lesson of the 2020 2021 boyd s commentary is broken down into several sections the first and most important is the text from the scripture itself beyond

r h boyd publishing corporation amazon com - Feb 10 2022

rh boyd sunday school lessons pdf free download docplayer - May 16 2022

web rh boyd publishing sunday school lessons david c cook publishing co s annual catalogue of sunday school supplies and holiday specialties sep 16 2022 this work

the 2023 r h boyd catalog by r h boyd publishing issuu - Jul 18 2022

web youth teacher is the teaching instructional manual to seekers for jesus and teen scene sunday school curriculum these lessons prepare teachers to discuss biblical and life

rh boyd publishing sunday school lessons copy - Jan 12 2022

learn about r h boyd sunday school christianbook com - Feb 22 2023

web boyd s sunday school commentary 2023 2024 is a resource for planning and preparation for pastors directors teachers students or anyone searching for a deeper relationship

rh boyd sunday school lesson the law of - May 28 2023

web young learners ages 6 8 adventurers with jesus ages 9 11 children s teacher guide sample lesson growing with jesus sample lesson young learners sample lesson

mtolivebaptistchurchbrodnax sunday school lessons - Apr 14 2022

web dr ladonna boyd presents the lessons for october 2023 are collectively entitled faith triumphs law fails and they are drawn from paul s epistles to both the romans and

r h boyd each lesson of the 2020 2021 boyd s commentary - Jun 16 2022

web r h boyd family of companies produces and provides the highest quality of christian inspirational historic educational and cultural literature merchandise and services by

2022 r h boyd catalog by r h boyd publishing issuu - Aug 19 2022

web oct 15 2023 sunday school lessons r h boyd publishing corporation adult christian life second quarter september december you can obtain individual copies of sunday

boyd s commentary for the sunday school 2023 24 - Nov 21 2022

web feb 24 2023 the 2022 2023 edition of boyd s commentary adult christian life a top selling bible study and sunday school resource and many other r h boyd

lessons for august 21 and 28 2022 r h boyd - Apr 26 2023

web 2022 2023 boyd s commentary is a resource for planning and preparation for pastors directors teachers students or anyone searching for a deeper relationship with christ it

r h boyd - Jun 28 2023

web r h boyd family of companies produces and provides the highest quality of christian inspirational historic educational and cultural literature merchandise and services by

sunday school lesson at a glance youtube - Sep 19 2022

web lessons classrooms 9 45 10 30 closing events and activities worship sept 15 pool of siloam 4 fourth sunday in lent class on easter sunday so upcoming lessons

curriculum video lessons r h boyd - Aug 31 2023

web jan 14 2022 rh boyd sunday school lesson presented by pastor h of palmer grove baptist church pastor h seeks to provide a powerful life applicational lesson that we can apply to

boyd s commentary 2022 2023 r h boyd - Jan 24 2023

web sep 26 2023 rh boyd sunday school speaking truth to power february 6 2022 christian children s corner cartoons superbook the last supper february 5

r h boyd youth teacher q4 october december 2023 - Mar 14 2022

web dr ladonna boyd presents the july 2023 curriculum lessons collectively entitled jesus envisions the kingdom the lessons come from zachariah chapter 9 as well as

r h boyd sunday school curriculum - Jul 30 2023

web aug 21 2022 dr ladonna boyd presents the lessons from the master teacher and adult christian life books for august 21 and 28 2022 the scriptural reference is revelation

curriculum activities r h boyd - Oct 01 2023

web r h boyd vacation bible school from vision to reality winning god s way leading out loud leading others through biblical examples vbs claim your crown vbs a

r h boyd picture lesson sheets q4 october december 2022 - Dec 23 2022

web feb 23 2022 boyd s commentary for the sunday school the boyd s commentary is a resource for planning and preparation for pastors directors teachers

r h boyd youtube - Mar 26 2023

web rh boyd s children picture lesson sheets quarterly sunday school resources helps children learn about bible stories with easy to understand images 18 x 24 13 lessons

co się stało z iwona wieczorek szostak janusz empik com - Jul 01 2022

web dec 2 2018 iwona wieczorek zaginęła w lipca 2010 r kiedy wracała z jednego z sopockich klubów do domu akcja poszukiwawcza niestety nie dała do tej pory żadnego

co się stało z iwona wieczorek plik audio janusz szostak - Nov 24 2021

Śledztwa szostaka co się stało z iwoną wieczorek - Aug 22 2021**co się stało z iwoną wieczorek tania książka** - May 31 2022

web 03 02 2023 07 34 co stało się z iwoną wieczorek czekali na nią w lasu przyłożyli broń do ramienia 268 od tajemniczego zaginięcia iwony wieczorek minęło już prawie 13 lat

uwaga tvn co się stało z iwoną wieczorek dzień dobry tvn - Feb 08 2023

web sep 6 2023 iwona wieczorek zaginęła w nocy z 16 na 17 lipca 2010 r w gdańsku Źródło materiały policyjne noc z 16 na 17 lipca 2010 r dokładnie o godzinie 4 12 kamery

co się stało z iwoną wieczorek nieprawdopodobny trop o tym - Aug 02 2022

web 1 day ago wphub iwona wieczorek 2 oprac adam zygiel dzisiaj 14 09 2023 07 18 sprawa iwony wieczorek pokłóciła się z prominentnym biznesmenem dwie kobiety

matka iwony wieczorek muszą wiedzieć co się stało - Jan 07 2023

web apr 25 2023 sztuczna inteligencja przemówiła na nagraniu z iwoną wieczorek każdy zna moją historię i każdy ma swoją teorię na temat mojego zaginięcia powiedz mi swoją

zaginięcie iwony wieczorek książk pomagali świadkom kłótni - Mar 29 2022

web sep 7 2022 opis tajemnicze zaginięcie którym żyła cała polska 19 letnia iwona wieczorek ostatni raz była widziana w nocy z 16 na 17 lipca 2010 roku w gdańsku w

co się stało z iwoną wieczorek nowy wątek w sprawie on - Dec 26 2021

web nowa seria Śledztwa szostaka osiem lat poszukiwań zaangażowanie policji jasnowidzów detektywów Ślad po iwonie wieczorek zaginął w nocy z 16 na 17 lipca

co się stało z iwoną wieczorek audiobook audioteka - Oct 24 2021**sprawa iwony wieczorek ujawniono co się stało w trakcie o2** - Mar 09 2023

web dec 30 2022 Śledztwo ws zabójstwa iwony wieczorek znowu nabrało tempa policja na zlecenie prokuratury prowadzącej sprawę zaginionej przed dwunastoma laty dziewczyny

co się stało z iwoną wieczorek janusz szostak książka - Apr 29 2022

web jul 2 2023 serial dokumentalny sprawa iwony wieczorek odsłania nieznane kulisy zaginięcia gdańszczanki co się stało z 19 latką która zaginęła w nocy z 16 na 17 lipca

co stoi za nagraniami z iwoną wieczorek nikt nie wie co się - Sep 03 2022

web nov 28 2018 osiem lat poszukiwań zaangażowanie policji jasnowidzów detektywów iwonie wieczorek zaginęła w nocy z

16 na 17 lipca 2010 roku znajomi widzieli ją po raz

co się stało z iwoną wieczorek uważam że знаła zabójcę - Nov 05 2022

web tajemnicze zaginięcie którym żyła cała polska 19 letnia iwona wieczorek ostatni raz była widziana w nocy z 16 na 17 lipca 2010 roku w gdańsku wposzukiwania oprócz policji

co się stało z iwona wieczorek niska cena na allegro pl - Sep 22 2021

co stało się z iwoną wieczorek czekali na nią w lasku o2 - Jan 27 2022

web co się stało z iwona wieczorek na allegro pl zróżnicowany zbiór ofert najlepsze ceny i promocje wejdź i znajdź to czego szukasz

co się stało z iwoną wieczorek wiadomości tvp - May 11 2023

web may 13 2023 mimo że śledczy nie szczędzą starań aby ustalić co spotkało iwonę wieczorek jej los pozostaje nieznany w ciągu ostatnich miesięcy dochodzenie nabrało

co się stało z iwoną wieczorek janusz szostak - Apr 10 2023

web apr 3 2023 od zaginięcia iwony wieczorek minie 13 lat 13 lat które minęło od zaginięcia to dużo ale sprawa nie przestaje budzić ogromnych emocji bo nie wiadomo

gdańsk powiesił się na grobie własnego ojca - Dec 06 2022

web jun 22 2023 co później stało się z iwoną wieczorek jej losy w dalszym ciągu pozostają nieznane wiadomo jedynie że już nigdy nie wróciła do domu ani nie skontaktowała się

co się stało z iwoną wieczorek zniknęła 2 5 km od domu to jej - Jun 12 2023

web nov 28 2018 szczegóły inne wydania kup książkę osiem lat poszukiwań zaangażowanie policji jasnowidzów detektywów Ślad po iwonie wieczorek zaginął w nocy z 16 na 17

co się stało z iwoną wieczorek najbardziej tajemnicze teorie - Oct 04 2022

web w nocy z 16 na 17 lipca 2010 roku iwona wieczorek znika bez śladu jej znajomi widzą ją po raz ostatni o godzinie 2 50 nad ranem o godzinie 4 15 wracająca z imprezy w

iwona wieczorek co się stało z zaginioną dzień dobry tvn - Feb 25 2022

web tajemnicze zaginięcie którym żyła cała polska 19 letnia iwona wieczorek ostatni raz była widziana w nocy z 16 na 17 lipca 2010 roku w gdańsku w poszukiwania oprócz policji

janusz szostak umierając mówił że wie co stało się z - Aug 14 2023

web 2022 12 15 07 06 aktualizacja 2022 12 15 18 29 udostępnił przez iwona wieczorek fot facebook dwanaście lat temu zaginęła 19 letnia iwona wieczorek dziewczyna

co stało się z iwoną wieczorek historia śledztwa w sprawie - Jul 13 2023

web dec 16 2022 publikacja 16 12 2022 19 30 utrudnianie śledztwa usuwanie śladów dowodów i podawanie nieprawdziwych informacji to zarzuty jakie usłyszał paweł p