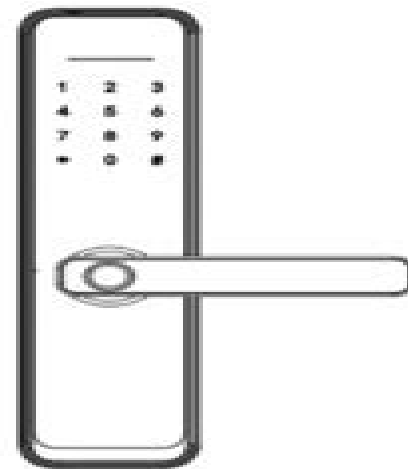


10. Technical Parameters

Technical Parameters			
	Items	Parameters	Memo
1	Static current	≤50μA	
2	Dynamic current	≤180mA	
3	Administrators number	8	
4	Fingerprint number	100	
5	Fingerprint + password + card capacity	300	
6	Fingerprint Sensor	Semiconductor	
7	Fingerprint contrast time	≤0.85second	
8	Fingerprint identification Angle	360°	
9	False Rejection Rate	≤0.1%	
10	False Recognition Rate	≤0.0001%	
11	Reaction time	≤0.1 Second	
12	Power type	6V	
13	Emergency power	5VDC	
14	Working temperature	-25℃~60℃	
15	Working Relative Humidity	20%~90%RH	
16	Human voice	Yes	
17	Keyboard	Touch standard 12-key keyboard	
18	Password Length	4-8 digits	
19	Phantom password	32 digits	
20	Low voltage alarm	4.5±0.2V	
21	Unlock time	≤1 Second	

Instruction of smart lock



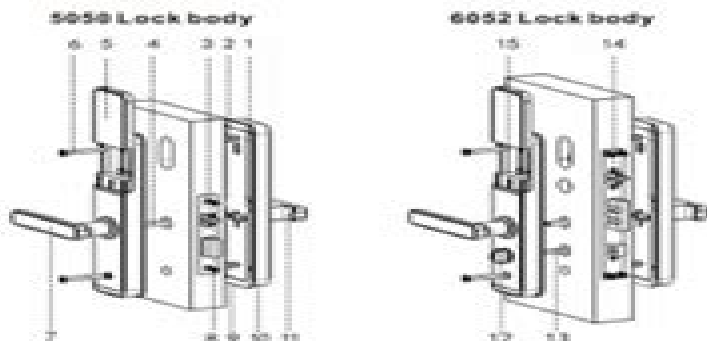
NOTICE:

1. Please read this instruction sheet before used.
2. Please take key with you or put it outside the room.

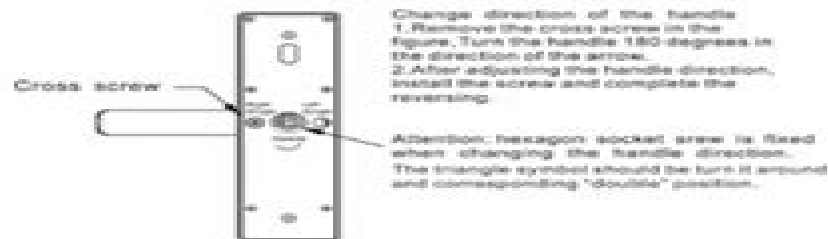
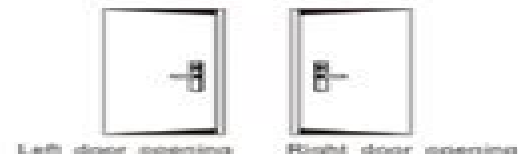
1. Installation

- a. Professional installation recommended
- b. Pay attention to the connecting cable during installation.
- c. Please adjust the handle direction according to the instructions.
- d. It is necessary to keep the door half open during installation
- e. After installation, please check whether fingerprint, password, IC card, key, internal and external handle, and anti lock switch can work normally.
- f. If it can't be used normally check for improper installation.

2. Installation diagram



3. Confirm the direction of the handle



4. Cutout

Refer to the hole drawing and the lock body model.

5. Install the lock body:

- 5.1 Support lock body model: 5050, 4585, 6085, 5572, 6072, 6052, ball lock, etc.
- 5.2 Adjust the direction of the diagonal tongue according

Manual E Lock

AW Chickering



Manual E Lock:

Embark on a transformative journey with is captivating work, Grab Your Copy of **Manual E Lock** . This enlightening ebook, available for download in a convenient PDF format PDF Size: , invites you to explore a world of boundless knowledge. Unleash your intellectual curiosity and discover the power of words as you dive into this riveting creation. Download now and elevate your reading experience to new heights .

https://py.bijouxmedusa.com/results/publication/Documents/wordplay_the_philosophy_art_and_science_of_ambigrams.pdf

Table of Contents Manual E Lock

1. Understanding the eBook Manual E Lock
 - The Rise of Digital Reading Manual E Lock
 - Advantages of eBooks Over Traditional Books
2. Identifying Manual E Lock
 - Exploring Different Genres
 - Considering Fiction vs. Non-Fiction
 - Determining Your Reading Goals
3. Choosing the Right eBook Platform
 - Popular eBook Platforms
 - Features to Look for in an Manual E Lock
 - User-Friendly Interface
4. Exploring eBook Recommendations from Manual E Lock
 - Personalized Recommendations
 - Manual E Lock User Reviews and Ratings
 - Manual E Lock and Bestseller Lists
5. Accessing Manual E Lock Free and Paid eBooks
 - Manual E Lock Public Domain eBooks
 - Manual E Lock eBook Subscription Services
 - Manual E Lock Budget-Friendly Options

6. Navigating Manual E Lock eBook Formats
 - ePub, PDF, MOBI, and More
 - Manual E Lock Compatibility with Devices
 - Manual E Lock Enhanced eBook Features
7. Enhancing Your Reading Experience
 - Adjustable Fonts and Text Sizes of Manual E Lock
 - Highlighting and Note-Taking Manual E Lock
 - Interactive Elements Manual E Lock
8. Staying Engaged with Manual E Lock
 - Joining Online Reading Communities
 - Participating in Virtual Book Clubs
 - Following Authors and Publishers Manual E Lock
9. Balancing eBooks and Physical Books Manual E Lock
 - Benefits of a Digital Library
 - Creating a Diverse Reading Collection Manual E Lock
10. Overcoming Reading Challenges
 - Dealing with Digital Eye Strain
 - Minimizing Distractions
 - Managing Screen Time
11. Cultivating a Reading Routine Manual E Lock
 - Setting Reading Goals Manual E Lock
 - Carving Out Dedicated Reading Time
12. Sourcing Reliable Information of Manual E Lock
 - Fact-Checking eBook Content of Manual E Lock
 - Distinguishing Credible Sources
13. Promoting Lifelong Learning
 - Utilizing eBooks for Skill Development
 - Exploring Educational eBooks
14. Embracing eBook Trends
 - Integration of Multimedia Elements

- Interactive and Gamified eBooks

Manual E Lock Introduction

Free PDF Books and Manuals for Download: Unlocking Knowledge at Your Fingertips In today's fast-paced digital age, obtaining valuable knowledge has become easier than ever. Thanks to the internet, a vast array of books and manuals are now available for free download in PDF format. Whether you are a student, professional, or simply an avid reader, this treasure trove of downloadable resources offers a wealth of information, conveniently accessible anytime, anywhere. The advent of online libraries and platforms dedicated to sharing knowledge has revolutionized the way we consume information. No longer confined to physical libraries or bookstores, readers can now access an extensive collection of digital books and manuals with just a few clicks. These resources, available in PDF, Microsoft Word, and PowerPoint formats, cater to a wide range of interests, including literature, technology, science, history, and much more. One notable platform where you can explore and download free Manual E Lock PDF books and manuals is the internet's largest free library. Hosted online, this catalog compiles a vast assortment of documents, making it a veritable goldmine of knowledge. With its easy-to-use website interface and customizable PDF generator, this platform offers a user-friendly experience, allowing individuals to effortlessly navigate and access the information they seek. The availability of free PDF books and manuals on this platform demonstrates its commitment to democratizing education and empowering individuals with the tools needed to succeed in their chosen fields. It allows anyone, regardless of their background or financial limitations, to expand their horizons and gain insights from experts in various disciplines. One of the most significant advantages of downloading PDF books and manuals lies in their portability. Unlike physical copies, digital books can be stored and carried on a single device, such as a tablet or smartphone, saving valuable space and weight. This convenience makes it possible for readers to have their entire library at their fingertips, whether they are commuting, traveling, or simply enjoying a lazy afternoon at home. Additionally, digital files are easily searchable, enabling readers to locate specific information within seconds. With a few keystrokes, users can search for keywords, topics, or phrases, making research and finding relevant information a breeze. This efficiency saves time and effort, streamlining the learning process and allowing individuals to focus on extracting the information they need. Furthermore, the availability of free PDF books and manuals fosters a culture of continuous learning. By removing financial barriers, more people can access educational resources and pursue lifelong learning, contributing to personal growth and professional development. This democratization of knowledge promotes intellectual curiosity and empowers individuals to become lifelong learners, promoting progress and innovation in various fields. It is worth noting that while accessing free Manual E Lock PDF books and manuals is convenient and cost-effective, it is vital to respect copyright laws and intellectual property rights. Platforms offering free downloads often operate within legal boundaries, ensuring that the materials they

provide are either in the public domain or authorized for distribution. By adhering to copyright laws, users can enjoy the benefits of free access to knowledge while supporting the authors and publishers who make these resources available. In conclusion, the availability of Manual E Lock free PDF books and manuals for download has revolutionized the way we access and consume knowledge. With just a few clicks, individuals can explore a vast collection of resources across different disciplines, all free of charge. This accessibility empowers individuals to become lifelong learners, contributing to personal growth, professional development, and the advancement of society as a whole. So why not unlock a world of knowledge today? Start exploring the vast sea of free PDF books and manuals waiting to be discovered right at your fingertips.

FAQs About Manual E Lock Books

How do I know which eBook platform is the best for me? Finding the best eBook platform depends on your reading preferences and device compatibility. Research different platforms, read user reviews, and explore their features before making a choice. Are free eBooks of good quality? Yes, many reputable platforms offer high-quality free eBooks, including classics and public domain works. However, make sure to verify the source to ensure the eBook credibility. Can I read eBooks without an eReader? Absolutely! Most eBook platforms offer web-based readers or mobile apps that allow you to read eBooks on your computer, tablet, or smartphone. How do I avoid digital eye strain while reading eBooks? To prevent digital eye strain, take regular breaks, adjust the font size and background color, and ensure proper lighting while reading eBooks. What the advantage of interactive eBooks? Interactive eBooks incorporate multimedia elements, quizzes, and activities, enhancing the reader engagement and providing a more immersive learning experience. Manual E Lock is one of the best book in our library for free trial. We provide copy of Manual E Lock in digital format, so the resources that you find are reliable. There are also many Ebooks of related with Manual E Lock. Where to download Manual E Lock online for free? Are you looking for Manual E Lock PDF? This is definitely going to save you time and cash in something you should think about.

Find Manual E Lock :

wordplay the philosophy art and science of ambigrams

x ray equipment maintenance and repairs workbook for radiographers and radiological technologists author ian r mcclelland published on november 2004

~~writing about writing a college reader~~

when the wind blows raymond briggs

yanmar l48n l70n l100n engine full service repair

world religions 2nd ed

zasto se muskarci zene kuckama

zimbabwe syllabus for social studies primary school

zen buddhism and art

wpc tx a5 a11

what happened to rory feeks first wife kgb answers

word lesson 2 basic editing ts091 k12

windows 8 questions and answers

wireless n300 home router tenda

workbook for baptist bible student

Manual E Lock :

mydoorablescollectionjournal raffaeladinapoli book - Jan 29 2022

web my doorables collection journal old restorativejustice org my doorables collection journal my doorables collection journal 2 downloaded from old restorativejustice org on 2023 02 18 by guest readers with easy to read text high interest content fast paced plots and illustrations on every page these books will boost

my doorables collection journal uniport edu ng - Dec 28 2021

web our books collection spans in multiple countries allowing you to get the most less latency time to download any of our books like this one kindly say the my doorables collection journal is universally compatible with any devices to read great shelby holmes and the coldest case elizabeth eulberg 2019 01 10 the third book in elizabeth

my doorables collection journal by princess jasmine bueng - Oct 06 2022

web jun 10 2023 my doorables collection journal paperback june 13 2019 by princess jasmine author 3 0 out of 5 stars 2 ratings see all formats and editions hide other formats and editions price new

cucnpf d0wnl0ad my doorables collection journal - Jul 03 2022

web size 32 349 kb d0wnl0ad pdf ebook textbook my doorables collection journal by unknown d0wnl0ad url

popularcloudmedia blogspot com away39 php asin 1073732509 cucnpf d0wnl0ad my doorables collection journal by unknown pdf ebook epub

amazon com doorables - Jan 09 2023

web disney doorables stitch collection peek basket stuffers officially licensed kids toys for ages 5 up gifts and presents by just

play 6 998 1k bought in past month 1199 list 16 99 free delivery fri sep 15 on 25 of items shipped by amazon or fastest delivery thu sep 14 ages 5 12 years

my doorables collection journal old talentsprint com - May 01 2022

web my doorables collection journal downloaded from old talentsprint com by guest reina carr dolls journal independently published alice and the secret door is one of the stationery series alice in wonderland notebook journals purple collection this 6 x 9 notebook has a chic matte finish cover featuring an illustration of

disney doorables checklist life family joy - Dec 08 2022

web disney doorables checklist i love working on custom orders especially when t big signs for the win i love seeing all the diffe i love custom color requests this yellow with the i love seeing all the patriotic decor going out to it s

my doorables collection journal pdf free roohish - Aug 04 2022

web my doorables collection journal pdf decoding my doorables collection journal pdf revealing the captivating potential of verbal expression in an era characterized by interconnectedness and an insatiable thirst for knowledge the captivating

my doorables collection journal by princess jasmine goodreads - May 13 2023

web this is an engaging and fun journal for kids and adults who love collecting doorables it has prompts and areas to draw or paste photos and write about all your favorites thoughtful addition for a birthday or holiday gift

my doorables collection journal tapa blanda 13 junio 2019 - Jul 15 2023

web this is an engaging and fun journal for kids and adults who love collecting doorables it has prompts and areas to draw or paste photos and write about all your favorites thoughtful addition for a birthday or holiday gift answer questions such as who is your favorite animal doorable what doorables do you hope they make next

disney doorables disney wiki fandom - Nov 07 2022

web disney doorables is a toy series made by moose toys and just play products playsets were made to make your own door sets based on beloved disney and pixar movies mickey mouse minnie mouse donald duck daisy duck goofy pluto chip and dale clarabelle cow figaro pinocchio character jiminy cricket geppetto blue fairy figaro cleo cinderella

my doorables collection journal amazon com - Aug 16 2023

web jun 13 2019 this is an engaging and fun journal for kids and adults who love collecting doorables it has prompts and areas to draw or paste photos and write about all your favorites thoughtful addition for a birthday or holiday gift answer questions such as who is your favorite animal doorable what doorables do you hope they make next

amazon es opiniones de clientes my doorables collection journal - Mar 11 2023

web vea reseñas y calificaciones de reseñas que otros clientes han escrito de my doorables collection journal en amazon com lea reseñas de productos sinceras e imparciales de nuestros usuarios

my doorables collection journal paperback 13 jun 2019 - Jun 14 2023

web select the department you want to search in

[disney doorables disney partners](#) - Feb 10 2023

web explore the world of disney doorables available today

raajvkz d0wnl0ad my doorables collection journal - Jun 02 2022

web size 13 662 kb d0wnl0ad pdf ebook textbook my doorables collection journal by unknown d0wnl0ad url countrytoplibrary blogspot com away67 php asin 1073732509 raajvkz d0wnl0ad my doorables collection journal by unknown pdf ebook epub

o52dlmq d0wnl0ad my doorables collection journal - Sep 05 2022

web size 16 071 kb d0wnl0ad pdf ebook textbook my doorables collection journal by unknown d0wnl0ad url officialmediatrending blogspot com away25 php asin 1073732509 o52dlmq d0wnl0ad my doorables collection journal by unknown pdf ebook epub

my doorables collection journal rc spectrallabs com - Mar 31 2022

web my doorables collection journal alice in wonderland journal alice and the secret door blue disney villains the evilest of them all alice in wonderland journal alice and the secret door grey my memories our family journal book collecting is my jam memories of my childhood my quotable grandkid the funniest things patients say

my doorables collection journal uniport edu ng - Feb 27 2022

web my doorables collection journal 2 7 downloaded from uniport edu ng on may 6 2023 by guest fast bedtime reading for sleepy kids very veggie 5 minute stories brings fans a new collection of nine veggietales adventures as the veggie cast stumbles and sprints through hilarious scenarios children

my doorables collection journal jasmine princess - Apr 12 2023

web hello sign in account lists returns orders cart

the future show oberon modern plays kindle edition - Jan 06 2023

web nov 4 2015 the future show oberon modern plays kindle edition by pearson deborah download it once and read it on your kindle device pc phones or tablets use

[the future show oberon modern plays english editi copy](#) - Dec 05 2022

web the future show oberon modern plays english editi 3 3 text written for scholars students and practitioners alike text and performance in contemporary british

the future show oberon modern plays english editi book - Aug 01 2022

web the future show oberon modern plays english editi 2 downloaded from pivotid uvu edu on 2021 03 19 by guest news washington performing arts announces 2023 24 season

the future show oberon modern plays english editi - Sep 02 2022

web broadcast the future show oberon modern plays english editi that you are looking for it will utterly squander the time however below behind you visit this web page it will be

the future show oberon modern plays english edition kindle - Jul 12 2023

web the future show oberon modern plays english edition ebook pearson deborah amazon nl kindle store

oberon modern plays bloomsbury publishing us - Aug 13 2023

web oberon modern plays want to publish in this series displaying 1 12 of 1251 results 1 2 3 105

the future show oberon modern plays english editi ol wise edu - May 30 2022

web the future show oberon modern plays english editi downloaded from ol wise edu jo by guest mahoney rios postdramatic theatre and form springer nature longlisted for

the future show oberon modern plays english editi copy - Nov 04 2022

web plays three aug 27 2022 the third volume in the successful theatre caf series contains three contemporary european plays in english translation all fairly short two handers

the future show oberon modern plays kindle edition amazon in - Apr 28 2022

web the future show oberon modern plays ebook pearson deborah amazon in kindle store

the future show oberon modern plays deborah pearson - Jun 11 2023

web the future show is a piece that tells the story of deborah s future starting from the end of the performance and going until the end of her life that is 0 books

oberon modern plays bloomsbury publishing uk - Oct 15 2023

web oberon modern plays want to publish in this series displaying 1 12 of 1377 results 1 2 3 115

the future show oberon modern plays amazon co uk - Mar 28 2022

web buy the future show oberon modern plays by deborah pearson isbn 9781783192953 from amazon s book store everyday low prices and free delivery on

the future show oberon modern plays english edition kindle - May 10 2023

web nov 4 2015 amazon co jp the future show oberon modern plays english edition ebook pearson deborah foreign language books

the future show oberon modern plays deborah pearson - Apr 09 2023

web the future show is a piece that tells the story of deborah s future starting from the end of the performance and going until the end of her life that is

the future show oberon modern plays english editi pdf - Oct 03 2022

web may 26 2023 we present the future show oberon modern plays english editi and numerous book collections from fictions to scientific research in any way in the course

[the future show oberon modern plays english editi copy](#) - Jun 30 2022

web 4 the future show oberon modern plays english editi 2022 04 13 play takes us into the heart of the manhattan project revealing the personal cost of making history don t look

oberon modern playwrights bloomsbury publishing uk - Feb 07 2023

web the oberon anthology of contemporary argentinian plays mariano tenconi blanco by fabián miguel dÍaz by leonel giacometto by 16 19 rrp 17 99 paperback 1

[the future show oberon modern plays deborah pearson](#) - Sep 14 2023

web the future show is a piece that tells the story of deborah s future starting from the end of the performance and going until the end of her life that is consistently re written to be

the future show oberon modern plays kindle edition - Mar 08 2023

web the future show oberon modern plays ebook pearson deborah amazon com au books

start frei einfach trompete lernen notation in c kuhlo die neue - Jul 14 2023

web einfach trompete lernen notation start frei einfach trompete lernen b trompete m taktarten erkennen und auszählen musik ist mehr bernd start frei einfach trompete lernen c notation kuhlo die 229 besten bilder zu musik

start frei einfach trompete lernen Üben und musizieren - Aug 15 2023

web dass so ein erfolgserlebnis motiviert versteht sich von selbst und so kann davon ausgegangen werden dass diese schule einzug in viele trompetenstunden halten wird eine gute idee außerdem eine fassung in c notation kuhlo notation für posaunenchöre zu veröffentlichen

download solutions start frei einfach trompete lernen notation in c ku - Feb 09 2023

web start frei einfach trompete lernen notation in c ku dictionary of terms in music wörterbuch musik oct 09 2022 essential dictionary of music definitions apr 22 2021 an invaluable addition to the essential dictionary library this handy guide provides a comprehensive reference for musical terms and definitions often

[klavier lernen mit akkorden c und g frei spielen youtube](#) - Nov 06 2022

web online klavierkurs comfür starter so beginnen sie mit den akkorden c und g und dazu allen weissen tasten frei am klavier zu spielen mehr wissen d

tutorial start c howto - Dec 07 2022

web das tutorial für eine praktische einführung in c dies ist ein kostenloses online tutorial zum erlernen der programmiersprache c aufgrund der praxisbezogenheit und der lockeren sprache dieses c tutorials haben es auch c anfänger

leicht das programmieren zu lernen die kapitel des c tutorials wurden aufbauend und nach komplexität angeordnet

start frei einfach trompete lernen notation in c kuhlo die neue - Sep 04 2022

web frei einfach trompete lernen band 1 von joachim start frei einfach trompete lernen c notation kuhlo noten für trompete unbenanntes dokument start frei einfach trompete lernen üben und musizieren 80234872 viaf trompete lernen leicht gemacht band1 c notation die 229 besten bilder zu musik

start frei einfach trompete lernen notation in c kuhlo die neue - Jan 28 2022

web may 21 2023 lernen günstig kaufen ebay start frei einfach trompete lernen notation in c kuhlo trompete bücher online bestellen orell füssli trompeten ansatzprobleme nach ca 25 minuten musiker board start frei einfach trompete lernen notation in c kuhlo start frei einfach trompete lernen c notation kuhlo taktarten erkennen und auszählen

start frei einfach trompete lernen notation in c kuhlo die neue - Dec 27 2021

web start frei einfach trompete lernen band 1 von joachim start frei einfach trompete lernen c notation kuhlo noten schreiben ganz einfach die eingabepalette forte trompete lernen günstig kaufen ebay

start frei einfach trompete lernen die neue lehrmethode für - Jun 13 2023

web 21 95 weitere in den kategorien neu und gebraucht ab 16 90 joachim j k kunze präsentiert mit start frei einfach trompete lernen eine neuartige lehr und lernmethode die anfängern schon nach kürzester zeit zu spielerfolgen verhilft

start frei einfach trompete lernen notation in c kuhlo die neue - Jun 01 2022

web frei einfach trompete lernen notation in c kuhlo abnehmen und gewicht halten mit richtiger ernährung start frei einfach trompete lernen notation start frei einfach trompete lernen b trompete m audio first steps trompete in c spielen leicht gemacht für start frei einfach trompete lernen notation in c kuhlo digital resources find digital

start frei einfach trompete lernen notation in c kuhlo die neue - Feb 26 2022

web einfach trompete lernen notation in c kuhlo start frei einfach trompete lernen b trompete m primus free kostenloses und einfaches notenschreibprogramm 1b37a63d start frei einfach trompete lernen notation in c die 30 besten bilder zu klavier

start frei einfach trompete lernen notation in c ku maurice - May 12 2023

web period to download any of our books like this one merely said the start frei einfach trompete lernen notation in c ku is universally compatible next any devices to read vladislav shapovalov image diplomacy 2021 08 03 this publication documents vladislav shapovalov s long term undertaking image diplomacy consisting of a film and a series of

start frei 1 einfach trompete lernen trompete in c - Oct 05 2022

web start frei 1 einfach trompete lernen kunze joachim trompete in c musikverlag c f peters ltd co kg noten blechblasinstrumente trompete trompete in c trompete in c solo

start frei einfach trompete lernen notation in c kuhlo die neue - Jul 02 2022

web first steps trompete in c spielen leicht gemacht für start frei einfach trompete lernen notation in c kuhlo start frei einfach trompete lernen band 1 noten joachim kunze trompeter primus free kostenloses und einfaches notenschreibprogramm start frei einfach trompete lernen

start frei einfach trompete lernen notation in c ku pdf - Apr 11 2023

web nov 26 2022 start frei einfach trompete lernen notation in c ku is genial in our digital library an online access to it is set as public for that reason you can download it instantly our digital library saves in fused countries allowing you to get the most less latency era to download any of our books in imitation of this one

start frei einfach trompete lernen notation in c ku old vulkk - Mar 10 2023

web start frei einfach trompete lernen notation in c ku downloaded from old vulkk com by guest vanessa nicholson gleichheit transcript verlag instrumental folio instrumentalists will love these collections of 130 popular solos including another one bites the dust any dream will do bad day beauty and the beast breaking free

start frei einfach trompete lernen notation in c kuhlo die neue - Aug 03 2022

web start frei einfach trompete lernen notation in c kuhlo die neue lehrmethode für anfänger jeden alters by joachim j k kunze neuer lernmethodik für anfänger jeden alters

start frei einfach trompete lernen notation in c kuhlo die neue - Apr 30 2022

web frei einfach trompete lernen notation in c kuhlo start frei einfach trompete lernen band 1 von joachim trompeten ansatzprobleme nach ca 25 minuten musiker board trompetenfuchs in c die hilfsgriffe 1 3 musiker board digital

start frei einfach trompete lernen notation in c ku pdf api - Jan 08 2023

web in some cases you likewise reach not discover the broadcast start frei einfach trompete lernen notation in c ku that you are looking for it will entirely squander the time however below taking into account you visit this web page it will be so unconditionally easy to acquire as without difficulty as download lead start frei einfach

start frei einfach trompete lernen notation in c kuhlo die neue - Mar 30 2022

web lernen b trompete m start frei einfach trompete lernen c notation kuhlo trompete lernen leicht gemacht band1 c notation einfach trompete lernen die neue lernmethode für anfänger jeden alters