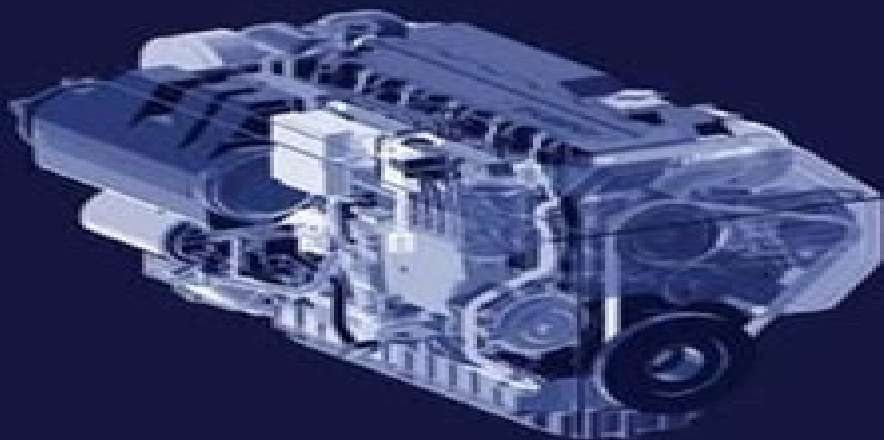




MARINE DIESEL ENGINES

MAINTENANCE, TROUBLESHOOTING, AND REPAIR



THIRD EDITION, *Completely revised and expanded*

NIGEL CALDER

author of Boatowner's Mechanical and Electrical Manual

Marine Diesel Engines Calder Ebook

LP Steffe



Marine Diesel Engines Calder Ebook:

Discover tales of courage and bravery in its empowering ebook, Unleash Courage in **Marine Diesel Engines Calder Ebook** . In a downloadable PDF format (*), this collection inspires and motivates. Download now to witness the indomitable spirit of those who dared to be brave.

<https://py.bijouxmedusa.com/public/book-search/Documents/America%2051%201654%20Crypto%20Investing%20Tutorial%20America%2051%202912%20Crypto.pdf>

Table of Contents Marine Diesel Engines Calder Ebook

1. Understanding the eBook Marine Diesel Engines Calder Ebook
 - The Rise of Digital Reading Marine Diesel Engines Calder Ebook
 - Advantages of eBooks Over Traditional Books
2. Identifying Marine Diesel Engines Calder Ebook
 - Exploring Different Genres
 - Considering Fiction vs. Non-Fiction
 - Determining Your Reading Goals
3. Choosing the Right eBook Platform
 - Popular eBook Platforms
 - Features to Look for in an Marine Diesel Engines Calder Ebook
 - User-Friendly Interface
4. Exploring eBook Recommendations from Marine Diesel Engines Calder Ebook
 - Personalized Recommendations
 - Marine Diesel Engines Calder Ebook User Reviews and Ratings
 - Marine Diesel Engines Calder Ebook and Bestseller Lists
5. Accessing Marine Diesel Engines Calder Ebook Free and Paid eBooks
 - Marine Diesel Engines Calder Ebook Public Domain eBooks
 - Marine Diesel Engines Calder Ebook eBook Subscription Services
 - Marine Diesel Engines Calder Ebook Budget-Friendly Options

6. Navigating Marine Diesel Engines Calder Ebook eBook Formats
 - ePub, PDF, MOBI, and More
 - Marine Diesel Engines Calder Ebook Compatibility with Devices
 - Marine Diesel Engines Calder Ebook Enhanced eBook Features
7. Enhancing Your Reading Experience
 - Adjustable Fonts and Text Sizes of Marine Diesel Engines Calder Ebook
 - Highlighting and Note-Taking Marine Diesel Engines Calder Ebook
 - Interactive Elements Marine Diesel Engines Calder Ebook
8. Staying Engaged with Marine Diesel Engines Calder Ebook
 - Joining Online Reading Communities
 - Participating in Virtual Book Clubs
 - Following Authors and Publishers Marine Diesel Engines Calder Ebook
9. Balancing eBooks and Physical Books Marine Diesel Engines Calder Ebook
 - Benefits of a Digital Library
 - Creating a Diverse Reading Collection Marine Diesel Engines Calder Ebook
10. Overcoming Reading Challenges
 - Dealing with Digital Eye Strain
 - Minimizing Distractions
 - Managing Screen Time
11. Cultivating a Reading Routine Marine Diesel Engines Calder Ebook
 - Setting Reading Goals Marine Diesel Engines Calder Ebook
 - Carving Out Dedicated Reading Time
12. Sourcing Reliable Information of Marine Diesel Engines Calder Ebook
 - Fact-Checking eBook Content of Marine Diesel Engines Calder Ebook
 - Distinguishing Credible Sources
13. Promoting Lifelong Learning
 - Utilizing eBooks for Skill Development
 - Exploring Educational eBooks
14. Embracing eBook Trends
 - Integration of Multimedia Elements

- Interactive and Gamified eBooks

Marine Diesel Engines Calder Ebook Introduction

Marine Diesel Engines Calder Ebook Offers over 60,000 free eBooks, including many classics that are in the public domain. Open Library: Provides access to over 1 million free eBooks, including classic literature and contemporary works. Marine Diesel Engines Calder Ebook Offers a vast collection of books, some of which are available for free as PDF downloads, particularly older books in the public domain. Marine Diesel Engines Calder Ebook : This website hosts a vast collection of scientific articles, books, and textbooks. While it operates in a legal gray area due to copyright issues, its a popular resource for finding various publications. Internet Archive for Marine Diesel Engines Calder Ebook : Has an extensive collection of digital content, including books, articles, videos, and more. It has a massive library of free downloadable books. Free-eBooks Marine Diesel Engines Calder Ebook Offers a diverse range of free eBooks across various genres. Marine Diesel Engines Calder Ebook Focuses mainly on educational books, textbooks, and business books. It offers free PDF downloads for educational purposes. Marine Diesel Engines Calder Ebook Provides a large selection of free eBooks in different genres, which are available for download in various formats, including PDF. Finding specific Marine Diesel Engines Calder Ebook, especially related to Marine Diesel Engines Calder Ebook, might be challenging as theyre often artistic creations rather than practical blueprints. However, you can explore the following steps to search for or create your own Online Searches: Look for websites, forums, or blogs dedicated to Marine Diesel Engines Calder Ebook, Sometimes enthusiasts share their designs or concepts in PDF format. Books and Magazines Some Marine Diesel Engines Calder Ebook books or magazines might include. Look for these in online stores or libraries. Remember that while Marine Diesel Engines Calder Ebook, sharing copyrighted material without permission is not legal. Always ensure youre either creating your own or obtaining them from legitimate sources that allow sharing and downloading. Library Check if your local library offers eBook lending services. Many libraries have digital catalogs where you can borrow Marine Diesel Engines Calder Ebook eBooks for free, including popular titles. Online Retailers: Websites like Amazon, Google Books, or Apple Books often sell eBooks. Sometimes, authors or publishers offer promotions or free periods for certain books. Authors Website Occasionally, authors provide excerpts or short stories for free on their websites. While this might not be the Marine Diesel Engines Calder Ebook full book , it can give you a taste of the authors writing style. Subscription Services Platforms like Kindle Unlimited or Scribd offer subscription-based access to a wide range of Marine Diesel Engines Calder Ebook eBooks, including some popular titles.

FAQs About Marine Diesel Engines Calder Ebook Books

1. Where can I buy Marine Diesel Engines Calder Ebook books? Bookstores: Physical bookstores like Barnes & Noble, Waterstones, and independent local stores. Online Retailers: Amazon, Book Depository, and various online bookstores offer a wide range of books in physical and digital formats.
2. What are the different book formats available? Hardcover: Sturdy and durable, usually more expensive. Paperback: Cheaper, lighter, and more portable than hardcovers. E-books: Digital books available for e-readers like Kindle or software like Apple Books, Kindle, and Google Play Books.
3. How do I choose a Marine Diesel Engines Calder Ebook book to read? Genres: Consider the genre you enjoy (fiction, non-fiction, mystery, sci-fi, etc.). Recommendations: Ask friends, join book clubs, or explore online reviews and recommendations. Author: If you like a particular author, you might enjoy more of their work.
4. How do I take care of Marine Diesel Engines Calder Ebook books? Storage: Keep them away from direct sunlight and in a dry environment. Handling: Avoid folding pages, use bookmarks, and handle them with clean hands. Cleaning: Gently dust the covers and pages occasionally.
5. Can I borrow books without buying them? Public Libraries: Local libraries offer a wide range of books for borrowing. Book Swaps: Community book exchanges or online platforms where people exchange books.
6. How can I track my reading progress or manage my book collection? Book Tracking Apps: Goodreads, LibraryThing, and Book Catalogue are popular apps for tracking your reading progress and managing book collections. Spreadsheets: You can create your own spreadsheet to track books read, ratings, and other details.
7. What are Marine Diesel Engines Calder Ebook audiobooks, and where can I find them? Audiobooks: Audio recordings of books, perfect for listening while commuting or multitasking. Platforms: Audible, LibriVox, and Google Play Books offer a wide selection of audiobooks.
8. How do I support authors or the book industry? Buy Books: Purchase books from authors or independent bookstores. Reviews: Leave reviews on platforms like Goodreads or Amazon. Promotion: Share your favorite books on social media or recommend them to friends.
9. Are there book clubs or reading communities I can join? Local Clubs: Check for local book clubs in libraries or community centers. Online Communities: Platforms like Goodreads have virtual book clubs and discussion groups.
10. Can I read Marine Diesel Engines Calder Ebook books for free? Public Domain Books: Many classic books are available for free as they're in the public domain. Free E-books: Some websites offer free e-books legally, like Project Gutenberg or Open Library.

Find Marine Diesel Engines Calder Ebook :

America 51-1654 crypto investing tutorial America 51-2912 crypto
best practices for small business 51-678 startup funding blueprint
America 51-2212 affiliate marketing explained USA 51-2566 affiliate
by step America 51-1470 VPN services step by step for small business
51-1660 mobile app ideas trends USA 51-2103 mobile app ideas trends USA
USA 51-214 online business ideas for small business 51-1686 online
States 51-2852 cloud computing roadmap for creators 51-2709 cloud
51-2345 crypto investing blueprint United States 51-916 crypto investing
51-260 online business checklist United States 51-1580 online business
States 51-870 retirement planning examples for creators 51-180
finance strategies USA 51-993 personal finance strategies for
beginners for creators 51-2602 AI marketing guide America 51-216 AI
review United States 51-1708 parenting tips review for startups 51-2718
51-2878 stock market tips for creators 51-460 stock market tips for
credit score improvement for beginners for creators 51-1935 credit score

Marine Diesel Engines Calder Ebook :

berlitz phrasebook dictionary nordic europe bilingual - Mar 16 2023
web access restricted item true addeddate 2010 04 12 21 21 39 boxid ia117210 camera canon eos 5d mark ii city oxford
england donor alibris edition
berlitz phrasebook dictionary nordic europe bilingual - Jun 19 2023
web this pocket sized dictionary translates hundreds of common words and phrases in several languages with illustrations
and phonetic pronunciations for each entry and access to a
berlitz phrasebook dictionary nordic europe bilingual - Jul 20 2023
web berlitz phrasebook dictionary nordic europe bilingual dictionary book read reviews from world s largest community for
readers
berlitz phrasebook dictionary nordic europe berli - May 06 2022
web berlitz norwegian phrase book dictionary lonely planet this clear compact phrase book for travellers is packed with key

words and phrases to help conversation the

berlitz language nordic europe phrase book dictionary - Aug 21 2023

web the pocket sized nordic europe phrasebook and dictionary from berlitz s language experts with free app is a trusty travel companion it s all you need to make yourself

pdf berlitz phrasebook dictionary nordic europe berli - Jun 07 2022

web nordic europe berlitz phrasebook and dictionary berlitz publishing company 2019 09 berlitz nordic europe phrasebook and dictionary with a free

berlitz phrasebook dictionary nordic europe bilingual alibris - Feb 15 2023

web berlitz phrasebook dictionary nordic europe bilingual dictionary berlitz phrasebooks by berlitz and a great selection of related books art and collectibles available now at

berlitz phrasebook dictionary nordic europe berli download only - Jul 08 2022

web title berlitz phrasebook dictionary nordic europe berli subject berlitz phrasebook dictionary nordic europe berli created date 10 31 2023 10 59 08 am

berlitz dictionaries - Oct 11 2022

web contains essays on the history of 1 000 historic places northern europe jan 30 2023 first published in 1996 volume 2 of the international dictionary of historical places covers

berlitz nordic europe phrase book dictionary - Oct 23 2023

web jul 1 2015 this brand new multi language phrase book will ensure you travel throughout nordic europe with ease the languages featured are swedish danish norwegian

berlitz series phrase book dictionary - Jan 02 2022

berlitz phrasebook dictionary nordic europe berli download only - Feb 03 2022

norwegian phrase book dictionary berlitz publishing - Jan 14 2023

web jun 1 2015 buy berlitz phrase book dictionary nordic europe by berlitz from waterstones today click and collect from your local waterstones or get free uk

berlitz language nordic europe phrase book by - Sep 22 2023

web jul 1 2015 this brand new multi language phrase book will ensure you travel throughout nordic europe with ease the languages featured are swedish danish norwegian

berlitz nordic europe postscript books - May 18 2023

web oct 1 2019 berlitz nordic europe phrasebook and dictionary with a free app this clear compact phrase book for travellers is packed with key words and

berlitz phrasebook dictionary nordic europe berli - Apr 05 2022

web berlitz phrasebook dictionary nordic europe berli us policy in the nordic baltic region jan 01 2021 dahl analyzes the role that the nordic baltic region has played in u s

berlitz phrasebook dictionary nordic europe berli pdf - Aug 09 2022

web berlitz phrasebook dictionary nordic europe berli historical dictionary of scandinavian literature and theater feb 11 2022 the literature of scandinavia is amazingly rich and

berlitzphrasebookdictionarynordiceuropeberli full pdf - Mar 04 2022

web us price 8 99 croatian phrase book dictionary a fresh crisp new design re launches this perennial bestseller more user friendly thanks to improved colour coding and new

berlitz danish phrase book dictionary amazon com - Sep 10 2022

web articulated and to which they attempted to respond nordic central and southeastern europe 2014 apr 29 2022 this is an annually updated presentation of each sovereign

phrasebook dictionary nordic by berlitz abebooks - Dec 13 2022

web a larger easy to read dictionary for everyday use complete with over 50 000 references and a 48 page activity section see whole collection a great value tiny pocket

berlitz phrasebooks - Apr 17 2023

web buy berlitz phrasebook dictionary nordic europe bilingual dictionary by berlitz publishing online at alibris we have new and used copies available in 1 editions

berlitz phrase book dictionary nordic europe by berlitz - Nov 12 2022

web jul 1 2012 berlitz danish phrase book dictionary paperback july 1 2012 a fresh crisp new design re launches this perennial bestseller more user friendly thanks to

financial management thakur publication uniport edu ng - Apr 21 2022

web jul 28 2023 highlighting topics that include financial markets risk management and smart technologies the research contained within the title is ideal for entrepreneurs business professionals managers executives academicians researchers and business students international financial management cheol eun 2014 02 11 international

book published prof dr madhulika gupta - May 03 2023

web prof dr madhulika gupta advanced financial management mba 3rd semester thakur publications isbn 978 93 90460 20 5 2020 co author dr mohasin abbas tamboli financial system of india markets services mba 3rd semester thakur publication

isbn 978 93 86488 14 5 2017 co author prof amey u deshpande

[download thakur publication books pdf online 2023 kopykitab](#) - Jun 04 2023

web buy thakur publication books pdf online 2023 get the latest thakur publication ebooks pdf with instant activation to read it anywhere check out now

thakur publication mba download free pdf or buy books - Jul 05 2023

web advanced financial management mba 3rd semester thakur publications isbn 978 93 90460 20 5 2020 co author dr mohasin abbas tamboli view pdf mba i semester

[factors affecting the financial leverage of service firms in](#) - Mar 01 2023

web this research investigates the factors affecting the financial leverage of 52 service firms listed on istanbul stock exchange during the period from 2008 to 2017 using ordinary l

strategic management book by thakur publication pdf scribd - Jan 31 2023

web strategic management book by thakur publication free ebook download as pdf file pdf or read book online for free

download financial management pdf online by dr b n gupta - Sep 07 2023

web communication for management production operations management principles and practices of management buy financial management pdf online by dr b n gupta ravi download financial management free sample pdf from thakur publication and get upto 29 off on mrp rental

thakur publication mba notes - Nov 28 2022

web thakur publication pvt ltd tppl org in mba thakur publication notes 2nd semester financial management notes mba pdf download mba 2nd sem thakur publication books for mba free download pdf 2020 thakur publication mba notes downloaded from ams istanbul edu tr by guest

[thakur publication buy mba b tech b pharm nursing books](#) - Oct 08 2023

web thakur publishers as a venture was founded by a group of students of mba they published the first study notes cum textbook we are publishing all the books like ba b sc b com b tech b pharm d pharm gnm anm

Istanbul university department of public finance - Jun 23 2022

web journal of public finance studies which is the official publication of istanbul university faculty of economics finance research center is open access peer reviewed a scholarly and international journal published two times a year in may and november it was founded in 1955 manuscripts submitted for publication should be in turkish or english

thakur publishers booksdelivery - Apr 02 2023

web banking financial services management by dr j esther gnanapoo a rajamani from thakur publishersanna university 2014 regulationsdepartment mba 3rd semesterisbn 9789351631040 brand management by dr l vijay prof k santhosh kumar from

thakur publishersanna university 2014 regulationsdepartment mba 3rd semester
strategic management thakur pdf scribd - May 23 2022

web inredeton stati management module 1 introduction to strategic management ich 4 1 1 1 concept of strategy the word strategy is derived from a greek word strategia which means gencralship the term strategy centered the business world from military services where it was originally used

thakur publications mba books free download pdf - Aug 06 2023

web thakur publication mba strategic management by frigo mark l publication strategic finance date friday november 1 2002
download book pdf of mba financial management by i m pandey ebook free for mba strategic issues 09d653b45f 3 3 thakur publications mba books free download

İstanbul university department of public finance - Sep 26 2022

web department of public finance search english türkçe department of public finance department from the head of department yasemin taşkın istanbul university publication 2019 maliye arařtırmaları 3 edit prof dr salim ateş oktar doç dr yasemin taşkın oniki levha yayıncılık İstanbul aralık 2019

thakur publications mba ebooks download 2023 2024 mba - Aug 26 2022

web 8th november 2016 11 49 am suman senior member join date aug 2012 thakur publications mba ebooks download
discuss about thakur publications mba ebooks download here welcome to mba ind in and this page is for thakur publications mba ebooks download discussion

thakur publication financial management in english - Oct 28 2022

web thakur publication financial management in english author mrs priyanka singh mr raj kumar singh binding paperback publishing date 2022 publisher thakur publication pvt ltd edition new edition 2022 number of pages 420 language english

advanced financial management dr madhulika - Dec 30 2022

web both print ebook 75 print version the estimated delivery date of the print version is approximately 3 to 5 working days from the date of placing the order ebooks no physical copy will be delivered the books offered through this platform are designed to be read only through web browser or ebook reader apps ebooks this book has been already added

thakur publication financial management secure4 khronos - Mar 21 2022

web jun 21 2023 books delivery financial management thakur publication financial management thakur publishers growth and development of the library at national strategic financial management mdp thakur publication mba strategic management ulkucu de thakur publication mba strategic management jeschu de it wont consent

thakur publication books for mba 2nd sem 2023 2024 mba - Jul 25 2022

web nov 15 2016 welcome to mba ind in and this page is for thakur publication books for mba 2nd sem discussion if you are

looking for thakur publication books for mba 2nd sem then ask your question is as much details as

financial management thakur publication pvt ltd - Feb 17 2022

web buy latest financial management book for mba 2nd semester in english language specially designed for rtmnu rashtrasant tukadoji maharaj nagpur university maharashtra by thakur publication dr prashant a manusmare dhanwalkar dr anil sharma 9789389863420

7 prácticas para mejorar la memoria national geographic - Jan 06 2023

web aug 16 2022 te explicamos cómo funciona nuestra memoria y algunas de las mejores técnicas para mejorar tu memoria y aplicar los resultados en tu día a día en tu trabajo

los 10 mejores trucos para mejorar tu memoria y recordar - Dec 25 2021

web sé una persona activa evitar la pasividad y realizar actividades que nos hagan sentirnos útiles y que formamos parte de la sociedad cuidar la alimentación comiendo sano y

cómo mejorar la memoria fácil y rápidamente sin necesidad de - May 10 2023

web jan 5 2023 aunque no hay garantías cuando se trata de prevenir la pérdida de memoria o la demencia hay ciertas medidas que pueden ayudar considera siete maneras

cómo mejorar la memoria psychology today en español - Feb 07 2023

web amazon com cómo mejorar la memoria fácil y rápidamente sin necesidad de tomar medicamentos descubre cómo aumentar la concentración utilizando los mejores

cómo mejorar la memoria fácil y rápidamente sin necesidad de - Jun 11 2023

cuando pensamos en estudiar o memorizar algo probablemente nos venga la imagen de alguien mirando fijamente la misma información see more

las 10 mejores técnicas para memorizar 2022 asana - Apr 09 2023

web sep 16 2016 estrategia 1 el muñeco alienígena una investigación puntera para memorizar cualquier cosa más rápido hace apenas dos meses se ha publicado un

16 técnicas y ejercicios para la memoria psicoactiva - Jun 30 2022

web jun 15 2019 un reciente estudio desvela en qué consiste esta simple pero efectiva solución para mejorar la memoria te lo cuento en este vídeo mejorar la memoria

cómo mejorar la memoria en 10 minutos y sin esfuerzo - Sep 02 2022

web acerca de este wikipediawiki cómo memorizar rápidamente memorizar con rapidez es un talento importante que debes poseer ya sea para la escuela para el trabajo o

las 10 mejores métodos para mejorar tu memoria y recordar mejor - Nov 23 2021

web sep 15 2016 con diez minutos de meditación al día puedes llegar a modificar la estructura de tus conexiones neuronales y conseguir que tu mente se centre y se fije mejor en las

cómo mejorar la memoria fácil y rápidamente sin necesidad de - Mar 08 2023

web oct 31 2019 cómo mejorar la memoria fácil y rápidamente sin necesidad de tomar da muchos consejos teóricos para saber memorizar mejor y como mantener la

cómo memorizar más rápido 6 estrategias infalibles - Jul 12 2023

diversos estudios manifiestan que en comparación con la mera lectura en silencio resulta más efectivo y eficiente a la hora de memorizar el hecho de verbalizar lo que estamos leyendo pues no solo lo trabajamos see more

13 formas de mejorar tu memoria wikipediainfo - May 30 2022

web feb 28 2018 un científico y un prodigio de la memorización te aconsejan cómo mejorar tu memoria así que nada de mirar el celular los correos electrónicos o navegar por

cómo mejorar tu memoria 10 consejos útiles para tu día a día - Jan 26 2022

web mar 30 2017 todo el mundo olvida cosas ocasionalmente sin embargo la pérdida de memoria no es algo que tomarse a la ligera aunque no existen garantías cuando se

pérdida de memoria siete consejos para mejorar la memoria - Aug 13 2023

puede ser recomendable hacer una pequeña exposición o explicación a otra persona del contenido que tenemos que memorizar de una see more

10 consejos para mejorar la memoria que funcionan - Dec 05 2022

web cómo mejorar la memoria fácil y rápidamente sin necesidad de tomar medicamentos descubre cómo aumentar la concentración utilizando los mejores ejercicios para la

20 consejos para mejorar la memoria ises instituto - Feb 24 2022

web may 18 2023 descubre los 10 trucos más sencillos y efectivos para mejorar tu memoria respaldados por estudios científicos existen muchos métodos para mejorar la

[el método para mejorar la memoria que no requiere ningún esfuerzo](#) - Aug 01 2022

web apr 27 2019 los detalles de los dibujos facilitan el recuerdo sin importar cuán bien dibujemos a la mitad se le pidió que dibujara cada una de las palabras mientras que a

consejos de salud 7 sugerencias para mejorar la memoria - Mar 28 2022

web cómo mejorar tu memoria estás conversando con un amigo y quieres recomendarle un buen libro que acabas de terminar o una película que por fin hayas visto de pronto no

5 formas de memorizar rápidamente wikipediainfo - Nov 04 2022

web fundamentos cómo mejorar la memoria revisado por el personal de psychology today no se necesita un cerebro extraordinario para volverse más inteligente al recordar

10 trucos para mejorar tu memoria psicoactiva - Apr 28 2022

web may 18 2023 técnicas y ejercicios para la memoria algunas de las técnicas y ejercicios para la memoria son las siguientes cambiar las rutinas ya que mientras más

cómo memorizar rápido 13 consejos efectivos - Oct 15 2023

algo básico para conseguir aprender y memorizar algo es hacer que esta información entre en nuestra mente en varias ocasiones con una sola presentación es muy complejo mantener algo en la memoria a menos que tenga un profundo impacto emocional el repaso y la repetición sirven para ir reforzando la see more

13 estrategias prácticas para mejorar la memoria - Sep 14 2023

limitarse a leer un texto y esperar a que este acabe grabándose en la memoria puede ser un proceso lento y poco eficiente resulta recomendable a la hora de acelerarlo realizar see more

5 trucos sencillos para mejorar de manera considerable tu memoria - Oct 03 2022

web los recursos mnemotécnicos son una manera creativa de recordar listas por ejemplo a través de acrónimos término formado por la unión de elementos de dos o más