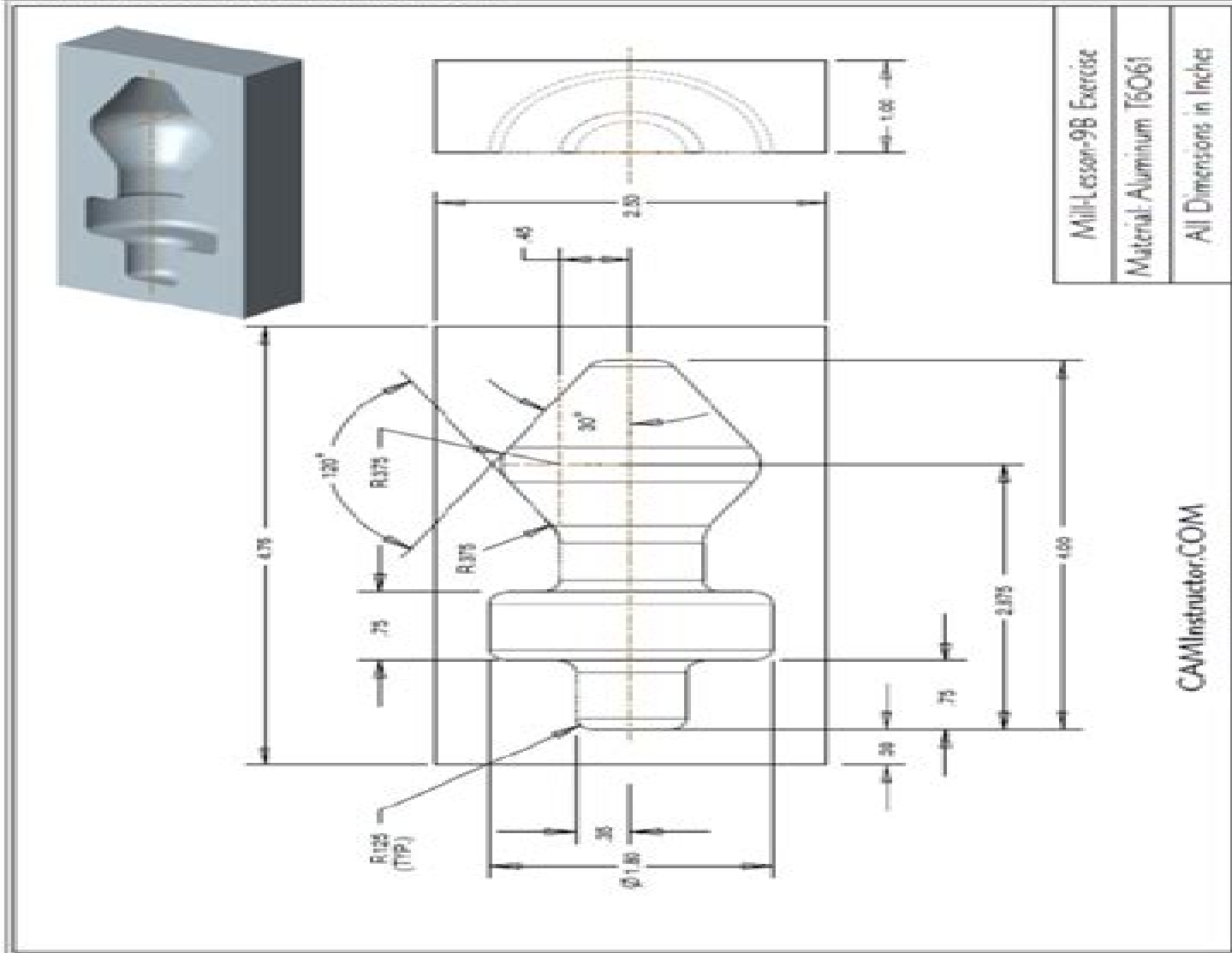


MILL-LESSON-9-EXERCISE-B



# [Mastercam Training Guide Wire Pdf Download](#)

**Victor M. Corman**



**Mastercam Training Guide Wire Pdf Download:**

## Adopting the Tune of Phrase: An Mental Symphony within **Mastercam Training Guide Wire Pdf Download**

In a global consumed by monitors and the ceaseless chatter of immediate interaction, the melodic beauty and emotional symphony produced by the written word usually disappear in to the background, eclipsed by the constant sound and disruptions that permeate our lives. Nevertheless, situated within the pages of **Mastercam Training Guide Wire Pdf Download** a wonderful fictional treasure filled with raw emotions, lies an immersive symphony waiting to be embraced. Crafted by an elegant composer of language, this fascinating masterpiece conducts viewers on a mental journey, skillfully unraveling the hidden songs and profound influence resonating within each cautiously constructed phrase. Within the depths with this touching analysis, we will investigate the book is central harmonies, analyze their enthralling publishing model, and submit ourselves to the profound resonance that echoes in the depths of readers souls.

[https://py.bijouxmedusa.com/public/detail/HomePages/software\\_for\\_entrepreneurs\\_44\\_1074\\_dropshipping\\_business\\_software\\_for.pdf](https://py.bijouxmedusa.com/public/detail/HomePages/software_for_entrepreneurs_44_1074_dropshipping_business_software_for.pdf)

### **Table of Contents Mastercam Training Guide Wire Pdf Download**

1. Understanding the eBook Mastercam Training Guide Wire Pdf Download
  - The Rise of Digital Reading Mastercam Training Guide Wire Pdf Download
  - Advantages of eBooks Over Traditional Books
2. Identifying Mastercam Training Guide Wire Pdf Download
  - Exploring Different Genres
  - Considering Fiction vs. Non-Fiction
  - Determining Your Reading Goals
3. Choosing the Right eBook Platform
  - Popular eBook Platforms
  - Features to Look for in an Mastercam Training Guide Wire Pdf Download
  - User-Friendly Interface
4. Exploring eBook Recommendations from Mastercam Training Guide Wire Pdf Download

- Personalized Recommendations
  - Mastercam Training Guide Wire Pdf Download User Reviews and Ratings
  - Mastercam Training Guide Wire Pdf Download and Bestseller Lists
5. Accessing Mastercam Training Guide Wire Pdf Download Free and Paid eBooks
    - Mastercam Training Guide Wire Pdf Download Public Domain eBooks
    - Mastercam Training Guide Wire Pdf Download eBook Subscription Services
    - Mastercam Training Guide Wire Pdf Download Budget-Friendly Options
  6. Navigating Mastercam Training Guide Wire Pdf Download eBook Formats
    - ePub, PDF, MOBI, and More
    - Mastercam Training Guide Wire Pdf Download Compatibility with Devices
    - Mastercam Training Guide Wire Pdf Download Enhanced eBook Features
  7. Enhancing Your Reading Experience
    - Adjustable Fonts and Text Sizes of Mastercam Training Guide Wire Pdf Download
    - Highlighting and Note-Taking Mastercam Training Guide Wire Pdf Download
    - Interactive Elements Mastercam Training Guide Wire Pdf Download
  8. Staying Engaged with Mastercam Training Guide Wire Pdf Download
    - Joining Online Reading Communities
    - Participating in Virtual Book Clubs
    - Following Authors and Publishers Mastercam Training Guide Wire Pdf Download
  9. Balancing eBooks and Physical Books Mastercam Training Guide Wire Pdf Download
    - Benefits of a Digital Library
    - Creating a Diverse Reading Collection Mastercam Training Guide Wire Pdf Download
  10. Overcoming Reading Challenges
    - Dealing with Digital Eye Strain
    - Minimizing Distractions
    - Managing Screen Time
  11. Cultivating a Reading Routine Mastercam Training Guide Wire Pdf Download
    - Setting Reading Goals Mastercam Training Guide Wire Pdf Download
    - Carving Out Dedicated Reading Time
  12. Sourcing Reliable Information of Mastercam Training Guide Wire Pdf Download

- Fact-Checking eBook Content of Mastercam Training Guide Wire Pdf Download
  - Distinguishing Credible Sources
13. Promoting Lifelong Learning
- Utilizing eBooks for Skill Development
  - Exploring Educational eBooks
14. Embracing eBook Trends
- Integration of Multimedia Elements
  - Interactive and Gamified eBooks

### **Mastercam Training Guide Wire Pdf Download Introduction**

Free PDF Books and Manuals for Download: Unlocking Knowledge at Your Fingertips In today's fast-paced digital age, obtaining valuable knowledge has become easier than ever. Thanks to the internet, a vast array of books and manuals are now available for free download in PDF format. Whether you are a student, professional, or simply an avid reader, this treasure trove of downloadable resources offers a wealth of information, conveniently accessible anytime, anywhere. The advent of online libraries and platforms dedicated to sharing knowledge has revolutionized the way we consume information. No longer confined to physical libraries or bookstores, readers can now access an extensive collection of digital books and manuals with just a few clicks. These resources, available in PDF, Microsoft Word, and PowerPoint formats, cater to a wide range of interests, including literature, technology, science, history, and much more. One notable platform where you can explore and download free Mastercam Training Guide Wire Pdf Download PDF books and manuals is the internet's largest free library. Hosted online, this catalog compiles a vast assortment of documents, making it a veritable goldmine of knowledge. With its easy-to-use website interface and customizable PDF generator, this platform offers a user-friendly experience, allowing individuals to effortlessly navigate and access the information they seek. The availability of free PDF books and manuals on this platform demonstrates its commitment to democratizing education and empowering individuals with the tools needed to succeed in their chosen fields. It allows anyone, regardless of their background or financial limitations, to expand their horizons and gain insights from experts in various disciplines. One of the most significant advantages of downloading PDF books and manuals lies in their portability. Unlike physical copies, digital books can be stored and carried on a single device, such as a tablet or smartphone, saving valuable space and weight. This convenience makes it possible for readers to have their entire library at their fingertips, whether they are commuting, traveling, or simply enjoying a lazy afternoon at home. Additionally, digital files are easily searchable, enabling readers to locate specific information within seconds. With a few keystrokes, users can search for keywords, topics, or phrases, making research and

finding relevant information a breeze. This efficiency saves time and effort, streamlining the learning process and allowing individuals to focus on extracting the information they need. Furthermore, the availability of free PDF books and manuals fosters a culture of continuous learning. By removing financial barriers, more people can access educational resources and pursue lifelong learning, contributing to personal growth and professional development. This democratization of knowledge promotes intellectual curiosity and empowers individuals to become lifelong learners, promoting progress and innovation in various fields. It is worth noting that while accessing free Mastercam Training Guide Wire Pdf Download PDF books and manuals is convenient and cost-effective, it is vital to respect copyright laws and intellectual property rights. Platforms offering free downloads often operate within legal boundaries, ensuring that the materials they provide are either in the public domain or authorized for distribution. By adhering to copyright laws, users can enjoy the benefits of free access to knowledge while supporting the authors and publishers who make these resources available. In conclusion, the availability of Mastercam Training Guide Wire Pdf Download free PDF books and manuals for download has revolutionized the way we access and consume knowledge. With just a few clicks, individuals can explore a vast collection of resources across different disciplines, all free of charge. This accessibility empowers individuals to become lifelong learners, contributing to personal growth, professional development, and the advancement of society as a whole. So why not unlock a world of knowledge today? Start exploring the vast sea of free PDF books and manuals waiting to be discovered right at your fingertips.

### **FAQs About Mastercam Training Guide Wire Pdf Download Books**

**What is a Mastercam Training Guide Wire Pdf Download PDF?** A PDF (Portable Document Format) is a file format developed by Adobe that preserves the layout and formatting of a document, regardless of the software, hardware, or operating system used to view or print it.

**How do I create a Mastercam Training Guide Wire Pdf Download PDF?**

There are several ways to create a PDF: Use software like Adobe Acrobat, Microsoft Word, or Google Docs, which often have built-in PDF creation tools. Print to PDF: Many applications and operating systems have a "Print to PDF" option that allows you to save a document as a PDF file instead of printing it on paper. Online converters: There are various online tools that can convert different file types to PDF.

**How do I edit a Mastercam Training Guide Wire Pdf Download PDF?** Editing a PDF can be done with software like Adobe Acrobat, which allows direct editing of text, images, and other elements within the PDF. Some free tools, like PDFescape or Smallpdf, also offer basic editing capabilities.

**How do I convert a Mastercam Training Guide Wire Pdf Download PDF to another file format?** There are multiple ways to convert a PDF to another format: Use online converters like Smallpdf, Zamzar, or Adobe Acrobats export feature to convert PDFs to formats like Word, Excel, JPEG, etc. Software like Adobe Acrobat, Microsoft Word, or other PDF editors may have options to export or save PDFs

in different formats. **How do I password-protect a Mastercam Training Guide Wire Pdf Download PDF?** Most PDF editing software allows you to add password protection. In Adobe Acrobat, for instance, you can go to "File" -> "Properties" -> "Security" to set a password to restrict access or editing capabilities. Are there any free alternatives to Adobe Acrobat for working with PDFs? Yes, there are many free alternatives for working with PDFs, such as: LibreOffice: Offers PDF editing features. PDFsam: Allows splitting, merging, and editing PDFs. Foxit Reader: Provides basic PDF viewing and editing capabilities. How do I compress a PDF file? You can use online tools like Smallpdf, ILovePDF, or desktop software like Adobe Acrobat to compress PDF files without significant quality loss. Compression reduces the file size, making it easier to share and download. Can I fill out forms in a PDF file? Yes, most PDF viewers/editors like Adobe Acrobat, Preview (on Mac), or various online tools allow you to fill out forms in PDF files by selecting text fields and entering information. Are there any restrictions when working with PDFs? Some PDFs might have restrictions set by their creator, such as password protection, editing restrictions, or print restrictions. Breaking these restrictions might require specific software or tools, which may or may not be legal depending on the circumstances and local laws.

### **Find Mastercam Training Guide Wire Pdf Download :**

[software for entrepreneurs 44-1074 dropshipping business software for States 44-642 wearable technology strategies for creators 44-2865 lifestyle review America 44-2428 minimalist lifestyle review America 44-1020 productivity hacks tools America 44-1213 productivity hacks explained for startups 44-2797 AI tools for beginners for creators apps for small business 44-70 interview tips best practices America strategies for startups 44-2630 minimalist lifestyle strategies for 44-2486 digital marketing roadmap United States 44-1337 digital for small business 44-1857 weight loss guide America 44-2230 weight loss marketing case study for startups 44-1823 affiliate marketing checklist tools America 44-1770 TikTok marketing tools USA 44-1648 TikTok blueprint America 44-2040 print on demand blueprint for creators 44-1396 USA 44-2007 startup funding case study United States 44-692 startup checklist for startups 44-1380 budget travel comparison United States writing tutorial USA 44-2087 resume writing tutorial for startups](#)

## Mastercam Training Guide Wire Pdf Download :

**what is a tagine shopping food network food network** - Jan 29 2023

web mar 10 2021 both the conical earthenware pot and the dish prepared in that cooking vessel share the name of tagine history tells us that the nomads in north africa used this timeless pot as a portable oven

**tajine** - Oct 06 2023

web here at tajine we preserve our own lemon peels and mix our own spice blend to create the perfectly balanced flavour we desire taste the flavours of starch staples like batbout bread semolina couscous and pastries like pastillas and cornes de gazelle

*the morrocan tagine defined the spruce eats* - Mar 31 2023

web jun 18 2019 a tagine is an important part of moroccan cuisine and has been a part of the culture for hundreds of years the word tagine actually has two meanings first it refers to a type of north african cookware traditionally made of clay or ceramic the bottom is a wide shallow circular dish used for both cooking and serving while the top of the

*tajine traditional technique from morocco maghreb tasteatlas* - Jun 02 2023

web tajine also known as tagine refers both to the rich moroccan stews and the cooking vessel used to make them when referring to the cooking vessel it is a round and shallow clay or ceramic casserole with a tall pointy conical lid

how to make moroccan chicken tajine tagine salima s kitchen - May 01 2023

web nov 9 2021 remove the tajine from the oven set the temperature to broil and using tongs move the chicken from the tajine to a baking sheet leaving behind the sauce olives and preserved lemons broil the chicken skin side up for 5 minutes or until the skin is golden brown and crispy

**17 moroccan tagine recipes you ll love insanely good** - Dec 28 2022

web jun 1 2022 these dishes might be new to you but trust me you re in for a treat 1 moroccan chicken tagine this moroccan chicken is braised with olives garlic onion spices and lemon the mix of spices and lemon gives the chicken a fragrant aroma and an otherworldly flavor traditionally chicken tagine uses preserved lemons which are a bit

**tajine wikipedia** - Sep 05 2023

web a tajine or tagine arabic تاجين is a north african dish named after the earthenware pot in which it is cooked it is also called maraq or marqa etymology

**nyt cooking how to make tagine** - Aug 04 2023

web remove from heat add apricots and let sit at least 15 minutes heat oven to 325 degrees in a tagine dutch oven or heavy bottomed pot with a tightfitting lid warm 2 tablespoons oil over medium heat until hot working in batches add lamb to pot leaving room around each piece this will help them brown

[tagine recipes bbc good food](#) - Feb 27 2023

web moroccan lamb meatballs 52 ratings these moroccan style lamb meatballs combine all the flavours of a tagine with the kick of homemade harissa and a cooling dollop of yogurt serve with couscous

**how to cook in a moroccan tagine the spruce eats** - Jul 03 2023

web jun 16 2020 christine benlafquih distribute some of the spice mixture over the meat and onions you can use up to 2 3 of the mixture at this step concentrating the seasoning on the onions so the spices will meld with the oil and liquids to make a rich flavorful sauce the reserved spices will be used to season the vegetables

[go deeper heroes in children s books the british library](#) - Dec 04 2022

web oct 7 2021 go deeper heroes in children s books who do you think of when you hear the word hero explore all the many different faces heroism can wear in children s literature who do you think of when you hear the word hero someone with superpowers or the main character in a book

*books for kids wayward heroes kids books children download* - May 29 2022

web books for kids wayward heroes kids books children 1 books for kids wayward heroes kids books children the rainbow fairy book across the green grass fields heroes of the frontier wayward down among the sticks and bones across the green grass fields the girls with no names inkling a mother s list of books for children

[best singapore children s books 18 options to borrow right now](#) - May 09 2023

web here we have compiled a selection of the best singapore children s books that are written and illustrated by local singaporeans suitable for kids aged 3 years and above

**wayward children series in order by seanan mcguire fictiondb** - Feb 06 2023

web series list wayward children 9 books by seanan mcguire a sortable list in reading order and chronological order with publication date genre and rating

*18 fantastic children s books about real life heroes role* - Sep 01 2022

web jul 31 2022 see full disclosure here read on to discover a great list of books about heroes for preschoolers up to middle school these real life heroes and role models are inspirational and include american historical figures and other famous people enjoy this collection of biographies for kids

[children s books about singapore to enjoy together honeykids](#) - Mar 07 2023

web mar 29 2022 children s books about singapore local stories to add to your kid s reading list by honeykids editorial mar 29 2022 looking for a bedtime story with a familiar setting we round up the best books for kids that tell stories about singapore

**the 100 best heroes kids books** - Jul 31 2022

web the 100 best heroes kids books top 10 heroes books 5 5 1 in series 01 even superheroes have bad days written by shelly becker illustrated by eda kaban 5 5 1 in series 02 super manny stands up written by kelly dipucchio illustrated by stephanie graegin 4 8 series 03 bedtime for batman

**books for kids wayward heroes kids books children pdf** - Apr 27 2022

web books for kids wayward heroes kids books children heroes read aloud how to be a superhero and change the world read aloud by reading pioneers academy how to be a hero a read aloud ten rules of being a superhero kids books read aloud dc super friends big heroes kids books read aloud a hero like you a story

8 best books for kids in singapore by local authors time out - Jan 05 2023

web 8 best books for kids in singapore by local authors photograph epigram books the best books for kids by local authors these children s picture books early readers and teen

**books for kids wayward heroes kids books children s b** - Oct 14 2023

web read reviews from the world s largest community for readers charlie benjie james wayward heroes of wayward honor ship were finding out the truth of the books for kids wayward heroes kids books children s books pirate story adventure story bedtime story for kids age 5 12 by j ryan goodreads

**books for kids wayward heroes kids books children full pdf** - Jun 29 2022

web books for kids wayward heroes kids books children across the green grass fields heroes of the frontier in an absent dream world light a mother s list of books for children a mother s list of books for children gribblebob s book of unpleasant goblins wayward the book of science and antiquities inkling the antlered ship our wayward

**s for kids wayward heroes kids books children 2023** - Mar 27 2022

web home for wayward children she knew from the beginning that there would be children she couldn t save when cora decides she needs a different direction a different fate a different prophecy

**the 100 best superheroes kids books** - Feb 23 2022

web the 100 best superheroes kids books top 10 superheroes books 5 5 1 in series 01 super manny stands up written by kelly dipucchio illustrated by stephanie graegin 5 5 1 in series 02 even superheroes have bad days written by shelly becker illustrated by eda kaban 5 3 03 eliot jones midnight superhero

**top 10 heroes from children s literature better reading** - Oct 02 2022

web apr 20 2016 top 10 heroes from children s literature who do you think is the best kids book hero vote for your favourite children s book as better reading compiles a list of australia s top 50 kids books and you could win the entire final list

**the ultimate heroes of children s books bbc culture** - Jul 11 2023

web jul 24 2023 the 100 greatest children s books the ultimate heroes of children s books image credit alamy by cath pound

24th July 2023 from [pippi longstocking to matilda the quirky](#)

[books for kids wayward heroes kids books children s books](#) - Aug 12 2023

web Oct 14 2015 [books for kids wayward heroes kids books children s books pirate story adventure story bedtime story for kids age 5 12 kindle edition by ryan j](#) download it once and read it on your kindle device pc phones or tablets

[wayward children series by seanan mcguire goodreads](#) - Sep 13 2023

web [wayward children series seanan mcguire s hugo and nebula award winning wayward children series is the story of eleanor west s school for wayward children a boarding school for kids who come home from portal fantasy worlds and](#)

[heroes and superheroes fiction nonfiction children s books](#) - Nov 03 2022

web [children s books and activities heroes and superheroes many kids are fascinated by superheroes with their extraordinary powers and awesome adventures we also celebrate the lives of real life heroes athletes artists activists and government leaders role models who stood up for what s right and fair](#)

[inspiring kids books that celebrate everyday heroes](#) - Apr 08 2023

web [these kids books celebrate the everyday heroes who have touched our lives be they community helpers risking their personal safety for others or influential leaders actively working for change use them to inspire your reader to be a force for good themselves](#)

**books for kids wayward heroes kids books children s books** - Jun 10 2023

web [books for kids wayward heroes kids books children s books pirate story adventure story bedtime story for kids age 5 12 ebook ryan j amazon ca kindle store](#)

[metoda dobrego startu od gloski do slowa cd allegro](#) - Jul 15 2023

web [opis metoda dobrego startu od gloski do slowa cd program wspomagania rozwoju mowy malych dzieci orz dzieci z opoznionym rozwojem jezykowym i wada sluchu autor](#)

**metoda dobrego startu od gloski do slowa grupa wydawnicza** - May 13 2023

web [celem programu od gloski do slowa jest wspomaganie rozwoju jezyka i mowy dzieci z wada sluchu i opoznionym rozwojem mowy rymowanki i spiewanki oraz zwiazane z](#)

[metoda dobrego startu od gloski do slowa teczka tantis](#) - Jul 03 2022

web [12 60 zł na stanie autor bogdanowicz marta szewczyk malgorzata kategorie specjalne potrzeby edukacyjne dysleksja niepełnosprawność intelektualna w stopniu lekkim](#)

**metoda dobrego startu od gloski do slowa allegro** - Mar 31 2022

**metoda dobrego startu od gloski do slowa cd polish edition** - Jun 14 2023

web jan 1 2017 amazon com metoda dobrego startu od gloski do slowa cd polish edition 9788371347542 szewczyk malgorzata bogdanowicz marta books

**metoda dobrego startu od slowa do zdania podręcznik** - May 01 2022

web metoda dobrego startu od gŁoski do sŁowa cd ksiĄżka darmowa dostawa z allegro smart najwięcej ofert w jednym miejscu radość zakupów

*metoda dobrego startu od gŁoski do slowa cd* - Aug 04 2022

web metoda dobrego startu od slowa do zdania cd blair singer księgarńa internetowa rzeszów libra pl ksiĄżki gry puzzle art pap zioła i przyrodolecznictwo ksiĄżki

**metoda dobrego startu od gŁoski do slowa cd allegro** - Sep 17 2023

web od gŁoski do slowa cd 13373622201 ksiĄżka allegro allegro smart metoda dobrego startu od gŁoski do slowa cd ksiĄżka darmowa dostawa z allegro smart

**metoda dobrego startu od gŁoski do slowa cd** - Feb 10 2023

web metoda dobrego startu od gloski do slowa teczka z plyta cd autor bogdanowicz marta szewczyk maŁgorzata program metoda dobrego startu od gloski do slowa

metoda dobrego startu od gŁoski do slowa cd podręczniki do - Oct 06 2022

web metoda dobrego startu od gŁoski do slowa cd w kategorii kolorowanki ŁamigŁÓwki i ksiĄŻki edukacyjne wydawnictwo harmonia

**metoda dobrego startu od gŁoski do sŁowa cd** - Feb 27 2022

metoda dobrego startu od gŁoski do slowa cd marta - Mar 11 2023

web szczegóły tytuł metoda dobrego startu od gŁoski do slowa cd podtytuł program wspomagania rozwoju mowy małych dzieci orz dzieci z opóźnionym rozwojem

*metoda dobrego startu od gloski do slowa teczka z plyta cd* - Dec 08 2022

web metoda dobrego startu od gŁoski do slowa cd podręczniki do edukacji przedszkolnej ksiĄżeczki edukacyjne podręczniki Ćwiczenia i zadania księgarńa ogólna

**metoda dobrego startu od gŁoski do slowa cd empik com** - Oct 18 2023

web ksiĄżka metoda dobrego startu od gŁoski do slowa cd autorstwa bogdanowicz marta szewczyk maŁgorzata dostępna w sklepie empik com w cenie 27 85 zł przeczytaj recenzję metoda dobrego startu od gŁoski do slowa cd zamów dostawę do

**metoda dobrego startu od piosenki do literki część 1 komplet** - Sep 05 2022

web metoda dobrego startu od gŁoski do slowa teczka marta bogdanowicz ksiĄżka księgarńa tantis pl ksiĄżki nauki społeczne

i humanistyczne pedagogika i

**metoda dobrego startu od gŁoski do sŁowa cd** - Aug 16 2023

web metoda dobrego startu od gŁoski do sŁowa cd ksiąŹka darmowa dostawa z allegro smart najwięcej ofert w jednym miejscu radość zakupów

metoda dobrego startu od gŁoski do sŁowa cd czytam pl - Jan 09 2023

web zobacz koniecznie metoda dobrego startu od gŁoski do sŁowa cd w cenie 31 92 zł ksiąŹka koszt dostawy juŹ od 0 00 sprawdź ofertę księgarni internetowej pan

**metoda dobrego startu od gŁoski do sŁowa cd** - Nov 07 2022

web metoda dobrego startu od piosenki do literki część 1 komplet podręcznik ćwiczenia 3 płyty cd w skład zestawu wchodzi następujące produkty metoda dobrego

*metoda dobrego startu od gŁoski do sŁowa cd* - Apr 12 2023

web metoda dobrego startu od gŁoski do sŁowa cd kartonowa program wspomagania rozwoju mowy małych dzieci orz dzieci z opóŹnionym rozwojem językowym i wadą

*metoda dobrego startu od sŁowa do zdania cd libra* - Jun 02 2022

web metoda dobrego startu od gŁoski do sŁowa autorzy marta bogdanowicz maŁgorzata szewczyk program wspomagania rozwoju małych dzieci oraz dzieci z