

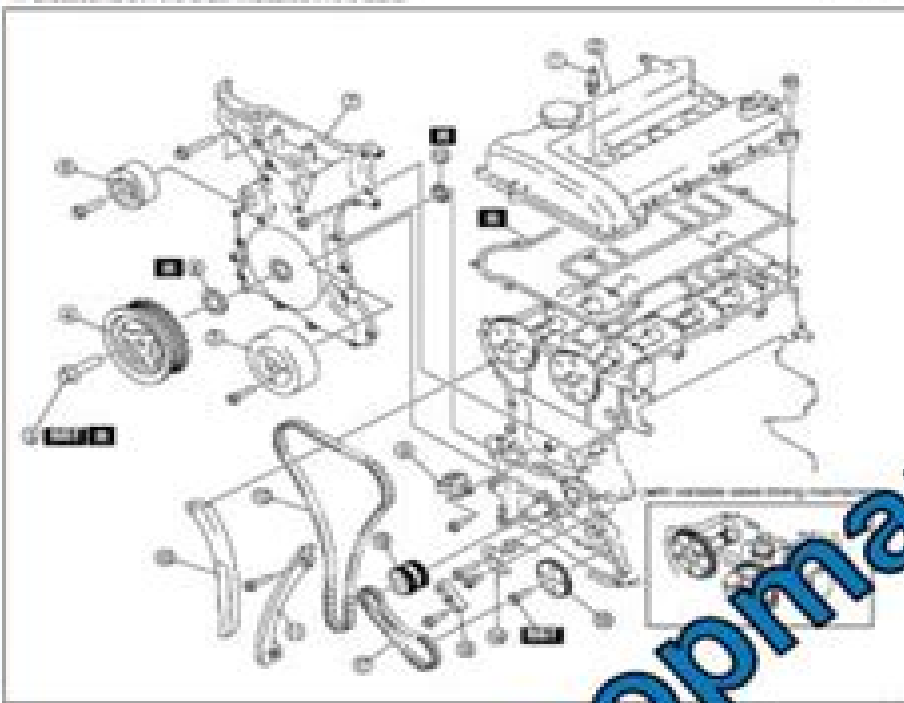
Mazda Premacy 1999-2004 Workshop Manual

MECHANICAL

MECHANICAL

TIMING CHAIN DISASSEMBLY

1. Disassemble in the order indicated in the table.

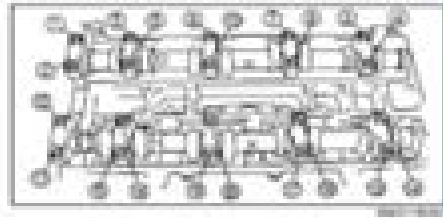
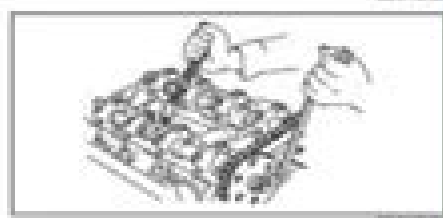


1	Timing plug
2	Crankshaft seal cover
3	Crankshaft pulley lock bolt (See 01-10-11 Crankshaft Pulley Lock Bolt Disassembly Note.)
4	Crankshaft pulley
5	Water pump pulley
6	Exhaust side pulley (without sprocket)
7	Engine Seal cover
8	Front oil seal (See 01-10-4 Front Oil Seal Disassembly Note.)

9	Timing chain tensioner (See Timing Chain Tensioner Disassembly Note.)
10	Oil pump sprocket (See 01-10-4 Oil Pump Sprocket Disassembly Note.)
11	Oil pump chain guide
12	Oil pump chain
13	Crankshaft sprocket

Crankshaft Pulley Disassembly Note
1. HOLD the crankshaft pulley with SST.

- (1) Using a suitable screwdriver or equivalent tool, unlock the chain tensioner ratchet.
- (2) Turn the exhaust camshaft clockwise using a suitable wrench on the cast hexagon and loosen the timing chain.
- (3) Placing the suitable tool (80 x 1.0 Length 25-26 mm (0.9-1.3 in)) at the engine front cover upper blind plug, secure the chain guide at the position where the tension is released.



7. Hold the exhaust camshaft using a suitable wrench on the hexagon as shown in the figure.

8. Remove the exhaust camshaft sprocket.

9. Loosen the camshaft cap bolts in several places in the order shown in the figure.

Note
• The cylinder head and the camshaft caps are numbered to make sure they are reassembled in their original position. When removed, keep the caps with the cylinder head they were removed from. Do not mix the caps.

10. Remove the camshaft.
11. Remove the tappet.
12. Select proper adjustment wire.

workshopmanuals.org

Mazda Premacy Repair Manual

Chilton Book Company



Mazda Premacy Repair Manual:

Mazda Premacy Workshop Manual, 2001 **Mazda Premacy**, 2002 *Cars & Parts*, 1988 **The Advertising Red Books**, 2005-10 **Mazda Miata 1800** Rod Grainger, Pete Shoemark, 2000 Following the success and critical acclaim of Veloce's original manual for the MX 5 1.6 Miata 1.6 in USA we've once again got our hands oily to bring the reader a new manual on the 1.8 model. Just like its predecessor this new book is phenomenally detailed covering the car from front bumper to rear tailpipe in an informative, helpful and easy to understand manner. Every detail of important repair and maintenance jobs is covered including how to overcome problems without resorting to special tools, packed with step-by-step photographs and useful line drawings. No owner can afford to be without his unique manual.

Mazda Pick-up Owners Workshop Manual John Harold Haynes, Peter Ward, 1982 [Ford Explorer and Mazda Navajo Automotive Repair Manual](#) Alan Ahlstrand, John Harold Haynes, 1995 Describes basic maintenance as well as repair procedures *Mazda 3 Automotive Repair Manual, 2004-2011* Jeff Killingsworth, John H. Haynes, 2013-01-01 This title provides a total introduction to the maintenance and repair of the Mazda 3 *Mazda Pick-up Owners Workshop Manual* J. H. Haynes, Peter Ward, 1976-06-01

Mazda MX-5 Miata 1.8 Enthusiast's Workshop Manual Rod Grainger, 2017 This is a phenomenally detailed book which covers the car from bumper to bumper. Every detail of important repair and maintenance jobs is covered. Covers all Mk1 cars with pop-up headlights 1.8 litre models 1994-98 the only aftermarket workshop manual available for the MX 5 written in an easy to use friendly style step-by-step procedures supported by hundreds of photos covers all aspects of maintenance and repair and applies equally to Eunos Roadster Japanese market model and Mazda Miata US market model *Mazda 626 and MX-6 Automotive Repair Manual* Larry Warren, John Harold Haynes, 1997-12 Mazda 626 FWD 1983-91 Shop Manual Haynes 253 pgs 607 ill

Mazda 323 & Protégé Automotive Repair Manual Louis LeDoux, John Harold Haynes, 1997 Mazda 323 Protégé 1990-97 Shop Manual Haynes 34 pgs 729 b/w ill *Mazda 323 & Protégé Automotive Repair Manual* Louis LeDoux, 2001

Chilton's Mazda Trucks 1987-93 Repair Manual Chilton Book Company, 1999 The Total Car Care series continues to lead all other do-it-yourself automotive repair manuals. This series offers do-it-yourselfers of all levels TOTAL maintenance service and repair information in an easy to use format. Each manual covers all makes format. Each manual covers all makes and models unless otherwise indicated. Based on actual tear-downs. Simple step-by-step procedures for engine overhaul, chassis, electrical, drive train, suspension, steering and more. Trouble codes. Electronic engine controls.

Mazda MPV Automotive Repair Manual Mark Ryan, John Harold Haynes, 1993 **Mazda Pick-Ups Owner's Workshop Manual** Peter Ward, Mike Stubblefield, John Harold Haynes, 1988-01-01 [Mazda 323 Service and Repair Manual](#) Louis LeDoux, 1998 3 door Hatchback 4 door Saloon inc special limited editions Does NOT cover 5 door Hatchback Fastback or Estate Petrol 1.3 litre 1324cc 1.5 litre 1489cc 1.6 litre 1598cc 1.8 litre 1840cc 4 cyl fuel injection Does NOT cover 1.3 litre carburettor or 2.0 litre V6 engines [Ford Ranger and Mazda B-series Pick-ups Automotive Repair Manual](#)

Eric Jorgensen, Alan Ahlstrand, John Harold Haynes, 1996 Haynes disassembles every subject vehicle and documents every step with thorough instructions and clear photos Haynes repair manuals are used by the pros but written for the do it yourselfer

Mazda MX-5 Miata 1.6 Enthusiast's Workshop Manual Rod Grainger, 2017-08-15 With open topped styling and performance evocative of the classic sportscars of the 1960s the Mazda MX 5 Eunos had to be a huge international success and that's exactly what it's become Now a familiar sight on the streets and boulevards of the world the MX 5 is owned by real enthusiasts the kind of people who will want to have hands on involvement with the maintenance and repair of their prized possession For those enthusiasts here is what we believe to be the best easiest to use workshop manual in the world Author Rod Grainger set out to create a new kind of owner's workshop manual friendly easy to understand easy to use and yet more detailed than any other manual currently available two years later the Mazda MX 5 Miata 1.6 Enthusiast's Workshop Manual was the result Rod and fellow enthusiasts Pete and Judith stripped down an MX 5 in an ordinary domestic garage using ordinary tools and in the process took over 1 500 step by step photographs The result of all this work is a superbly detailed text which passes on to the reader every detail of important jobs including how problems can be overcome without resorting to special tools This manual even tells the reader the size of nuts and bolts so they can start work with the right tools and all clearances and torque values are given in the text as the reader needs them At paragraph level a unique symbol system provides cross references or tells the reader that there are helpful associated photos drawings and tables The dreaded words reassembly is a reversal of the dismantling procedure are banned and every task from changing a bulb to rebuilding the gearbox is described in full Besides detailed coverage of maintenance and repairs this manual includes advice on rustproofing cosmetic tuning and mechanical tuning Rod's manual was prepared with the assistance of Mazda and it applies to all 1.6 litre models built between 1989 and 1995 Most of the manual is relevant to later 1.6 litre models too

Mazda Pick-ups Automotive Repair Manual Mike Stubblefield, John Harold Haynes, 1993

Fuel your quest for knowledge with is thought-provoking masterpiece, Explore **Mazda Premacy Repair Manual** . This educational ebook, conveniently sized in PDF (Download in PDF: *), is a gateway to personal growth and intellectual stimulation. Immerse yourself in the enriching content curated to cater to every eager mind. Download now and embark on a learning journey that promises to expand your horizons. .

https://py.bijouxmedusa.com/results/scholarship/Download_PDFS/business_10_996_personal_finance_case_study_for_startups_10_1570.pdf

Table of Contents Mazda Premacy Repair Manual

1. Understanding the eBook Mazda Premacy Repair Manual
 - The Rise of Digital Reading Mazda Premacy Repair Manual
 - Advantages of eBooks Over Traditional Books
2. Identifying Mazda Premacy Repair Manual
 - Exploring Different Genres
 - Considering Fiction vs. Non-Fiction
 - Determining Your Reading Goals
3. Choosing the Right eBook Platform
 - Popular eBook Platforms
 - Features to Look for in an Mazda Premacy Repair Manual
 - User-Friendly Interface
4. Exploring eBook Recommendations from Mazda Premacy Repair Manual
 - Personalized Recommendations
 - Mazda Premacy Repair Manual User Reviews and Ratings
 - Mazda Premacy Repair Manual and Bestseller Lists
5. Accessing Mazda Premacy Repair Manual Free and Paid eBooks
 - Mazda Premacy Repair Manual Public Domain eBooks
 - Mazda Premacy Repair Manual eBook Subscription Services

- Mazda Premacy Repair Manual Budget-Friendly Options
- 6. Navigating Mazda Premacy Repair Manual eBook Formats
 - ePub, PDF, MOBI, and More
 - Mazda Premacy Repair Manual Compatibility with Devices
 - Mazda Premacy Repair Manual Enhanced eBook Features
- 7. Enhancing Your Reading Experience
 - Adjustable Fonts and Text Sizes of Mazda Premacy Repair Manual
 - Highlighting and Note-Taking Mazda Premacy Repair Manual
 - Interactive Elements Mazda Premacy Repair Manual
- 8. Staying Engaged with Mazda Premacy Repair Manual
 - Joining Online Reading Communities
 - Participating in Virtual Book Clubs
 - Following Authors and Publishers Mazda Premacy Repair Manual
- 9. Balancing eBooks and Physical Books Mazda Premacy Repair Manual
 - Benefits of a Digital Library
 - Creating a Diverse Reading Collection Mazda Premacy Repair Manual
- 10. Overcoming Reading Challenges
 - Dealing with Digital Eye Strain
 - Minimizing Distractions
 - Managing Screen Time
- 11. Cultivating a Reading Routine Mazda Premacy Repair Manual
 - Setting Reading Goals Mazda Premacy Repair Manual
 - Carving Out Dedicated Reading Time
- 12. Sourcing Reliable Information of Mazda Premacy Repair Manual
 - Fact-Checking eBook Content of Mazda Premacy Repair Manual
 - Distinguishing Credible Sources
- 13. Promoting Lifelong Learning
 - Utilizing eBooks for Skill Development
 - Exploring Educational eBooks
- 14. Embracing eBook Trends

- Integration of Multimedia Elements
- Interactive and Gamified eBooks

Mazda Premacy Repair Manual Introduction

In today's digital age, the availability of Mazda Premacy Repair Manual books and manuals for download has revolutionized the way we access information. Gone are the days of physically flipping through pages and carrying heavy textbooks or manuals. With just a few clicks, we can now access a wealth of knowledge from the comfort of our own homes or on the go. This article will explore the advantages of Mazda Premacy Repair Manual books and manuals for download, along with some popular platforms that offer these resources. One of the significant advantages of Mazda Premacy Repair Manual books and manuals for download is the cost-saving aspect. Traditional books and manuals can be costly, especially if you need to purchase several of them for educational or professional purposes. By accessing Mazda Premacy Repair Manual versions, you eliminate the need to spend money on physical copies. This not only saves you money but also reduces the environmental impact associated with book production and transportation. Furthermore, Mazda Premacy Repair Manual books and manuals for download are incredibly convenient. With just a computer or smartphone and an internet connection, you can access a vast library of resources on any subject imaginable. Whether you're a student looking for textbooks, a professional seeking industry-specific manuals, or someone interested in self-improvement, these digital resources provide an efficient and accessible means of acquiring knowledge. Moreover, PDF books and manuals offer a range of benefits compared to other digital formats. PDF files are designed to retain their formatting regardless of the device used to open them. This ensures that the content appears exactly as intended by the author, with no loss of formatting or missing graphics. Additionally, PDF files can be easily annotated, bookmarked, and searched for specific terms, making them highly practical for studying or referencing. When it comes to accessing Mazda Premacy Repair Manual books and manuals, several platforms offer an extensive collection of resources. One such platform is Project Gutenberg, a nonprofit organization that provides over 60,000 free eBooks. These books are primarily in the public domain, meaning they can be freely distributed and downloaded. Project Gutenberg offers a wide range of classic literature, making it an excellent resource for literature enthusiasts. Another popular platform for Mazda Premacy Repair Manual books and manuals is Open Library. Open Library is an initiative of the Internet Archive, a non-profit organization dedicated to digitizing cultural artifacts and making them accessible to the public. Open Library hosts millions of books, including both public domain works and contemporary titles. It also allows users to borrow digital copies of certain books for a limited period, similar to a library lending system. Additionally, many universities and educational institutions have their own digital libraries that provide free access to PDF books and manuals. These libraries often offer academic texts, research papers, and technical manuals, making them invaluable resources for students.

and researchers. Some notable examples include MIT OpenCourseWare, which offers free access to course materials from the Massachusetts Institute of Technology, and the Digital Public Library of America, which provides a vast collection of digitized books and historical documents. In conclusion, Mazda Premacy Repair Manual books and manuals for download have transformed the way we access information. They provide a cost-effective and convenient means of acquiring knowledge, offering the ability to access a vast library of resources at our fingertips. With platforms like Project Gutenberg, Open Library, and various digital libraries offered by educational institutions, we have access to an ever-expanding collection of books and manuals. Whether for educational, professional, or personal purposes, these digital resources serve as valuable tools for continuous learning and self-improvement. So why not take advantage of the vast world of Mazda Premacy Repair Manual books and manuals for download and embark on your journey of knowledge?

FAQs About Mazda Premacy Repair Manual Books

How do I know which eBook platform is the best for me? Finding the best eBook platform depends on your reading preferences and device compatibility. Research different platforms, read user reviews, and explore their features before making a choice. Are free eBooks of good quality? Yes, many reputable platforms offer high-quality free eBooks, including classics and public domain works. However, make sure to verify the source to ensure the eBook credibility. Can I read eBooks without an eReader? Absolutely! Most eBook platforms offer web-based readers or mobile apps that allow you to read eBooks on your computer, tablet, or smartphone. How do I avoid digital eye strain while reading eBooks? To prevent digital eye strain, take regular breaks, adjust the font size and background color, and ensure proper lighting while reading eBooks. What the advantage of interactive eBooks? Interactive eBooks incorporate multimedia elements, quizzes, and activities, enhancing the reader engagement and providing a more immersive learning experience. Mazda Premacy Repair Manual is one of the best book in our library for free trial. We provide copy of Mazda Premacy Repair Manual in digital format, so the resources that you find are reliable. There are also many Ebooks of related with Mazda Premacy Repair Manual. Where to download Mazda Premacy Repair Manual online for free? Are you looking for Mazda Premacy Repair Manual PDF? This is definitely going to save you time and cash in something you should think about.

Find Mazda Premacy Repair Manual :

business 10-996 personal finance case study for startups 10-1570

10-2854 parenting tips tips USA 10-2209 parenting tips tips United

science careers case study United States 10-1254 data science careers
by step for creators 10-46 home organization step by step for small
United States 10-2468 digital marketing strategies for creators 10-2971
United States 10-2403 SEO strategy best practices for entrepreneurs
10-2785 stock market strategies America 10-104 stock market strategies
funding for beginners United States 10-2959 startup funding for
services best practices America 10-1760 VPN services best practices for
investing software America 10-975 real estate investing software USA
entrepreneurs 10-98 small business ideas roadmap for creators 10-2093
trading tools United States 10-2383 crypto trading tools United States
tips America 10-1068 sustainable living tools USA 10-2626 sustainable
home tech software for entrepreneurs 10-1573 smart home tech software
marketing explained America 10-297 affiliate marketing explained for

Mazda Premacy Repair Manual :

Effective Project Management - Google Books Clements/Gido's best-selling EFFECTIVE PROJECT MANAGEMENT, 5th Edition, International Edition presents everything you need to know to work successfully in ... Successful Project Management: Gido ... Jack Gido has 20 years of industrial management experience, including the management of productivity improvement and technology development projects. He has an ... Effective Project Management (International Edition) Jack Gido James Clements ... Synopsis: The fourth edition of EFFECTIVE PROJECT MANAGEMENT covers everything you need to know about working successfully in a ... Effective Project Management - Amazon This is the textbook for one of the core graduate-level courses. The book is organized, well written, and replete with appropriate illustrations and real-world ... Successful Project Management ... Gido was most recently Director of Economic & Workforce Development and ... Clements has served as a consultant for a number of public and private orga ... Effective Project Management by Clements Gido Effective Project Management by Gido, Jack, Clements, Jim and a great selection of related books, art and collectibles available now at AbeBooks.com. Effective project management | WorldCat.org Effective project management. Authors: James P. Clements, Jack Gido. Front cover image for Effective project management. Print Book, English, ©2012. Edition: ... Successful Project Management by: Jack Gido Gido/Clements's best-selling SUCCESSFUL PROJECT MANAGEMENT, 6E presents everything you need to know to work successfully in today's exciting project ... Gido Clements | Get Textbooks Successful Project Management(5th Edition) (with Microsoft Project 2010) by Jack Gido, James P. Clements Hardcover, 528

Pages, Published 2011 by ... Effective Project Management This text covers everything students need to know about working successfully in a project environment, including how to organize and manage effective ... Mosby's Pharmacology Memory NoteCards Mnemonics and other proven memory aids help you grasp and remember even the most complex concepts. UNIQUE! More than 100 colorful cartoons offer humorous and ... Mosby's Pharmacology Memory NoteCards: Visual, ... These durable, portable cards use mnemonics and other time-tested learning aids to help you prepare for class, clinicals, and the NCLEX® examination. Created by ... Mosby's Pharmacology Memory NoteCards - E-Book Mosby's Pharmacology Memory NoteCards - E-Book: Visual, Mnemonic, and Memory Aids for Nurses · eBook · \$18.99 \$24.99 Save 24% Current price is \$18.99, Original ... Mosby's Pharmacology Memory NoteCards - 9780323661911 Mnemonics and other proven memory aids help you grasp and remember even the most complex concepts. UNIQUE! More than 100 colorful cartoons offer humorous and ... Mosby's Pharmacology Memory NoteCards 4th edition Mosby's Pharmacology Memory NoteCards: Visual, Mnemonic, and Memory Aids for Nurses 4th Edition is written by JoAnn Zerwekh, Jo Carol Claborn and published ... Mosby's Pharmacology Memory NoteCards, 6th Edition Mnemonics and other proven memory aids help you grasp and remember even the most complex concepts. UNIQUE! More than 100 colorful cartoons offer humorous and ... Mosbys Pharmacology Memory NoteCards: ... Using a wide variety of learning aids, humor, illustrations, and mnemonics, this valuable tool helps you master pharmacology in class, in clinicals, and in ... Mosby's Pharmacology Memory NoteCards: 7th edition Bring your pharmacology review to life with more than 100 colorful flashcards! Mosby's Pharmacology Memory NoteCards: Visual, Mnemonic, & Memory Aids for Nurses ... Visual, Mnemonic, & Memory Aids for Nurses Mosby's Pharmacology Memory NoteCards: Visual, Mnemonic, & Memory Aids for Nurses ... Nurses, 4th Edition uses humor and illustrations to make studying easier ... visual, mnemonic, and memory aids for nurses Mosby's pharmacology memory notecards : visual, mnemonic, and memory aids for nurses ... 4th Edition uses humor and illustrations to make studying easier and ... Big Sky Backcountry Guides Montana ski guides and adventure specialists! Backcountry hut trips, day touring, avalanche courses, ski mountaineering, and international ski adventures. Backcountry Skiing Bozeman and Big Sky Fresh off the presses with a major update for 2022, this full color guidebook comprehensively covers the best backcountry skiing in Southwest Montana with 29 ... Bell Lake Yurt--Montana Backcountry Ski Guides Bell Lake Yurt is Montana's finest backcountry skiing and snowboarding destination, located just 1.5 hours from Bozeman. We offer guided skiing, avalanche ... Bozeman Backcountry Skiing Backcountry ski options include trips for the complete beginner to advanced skiers within 30 minutes of Bozeman and Big Sky. We are the only ski guide service ... Big Sky Backcountry Guides That's why we employ the finest guides and operate with small guest/guide ratios. But guiding isn't only about finding the safest route and deepest snow; it's ... Areas Covered in the Guide Backcountry Skiing Bozeman and Big Sky covers 25 routes in 6 different ranges. Below are a free preview of couple well known routes to get you started:. Ski Tours Ski Tour: Telemark Meadows · Ski Tour: Goose Creek Meadow · Ski

Tour: The Great One · Ski Tour: History Rock · Ski Tour: Texas Meadows · Ski Tour: Beehive Basin · Ski ... Big Sky
Backcountry Skiing Big Sky & Bozeman's most experienced ski guides! Offering backcountry powder skiing, avalanche
education, guided peak skiing, and overnight trips near ... A guide to backcountry skiing near Bozeman | Outdoors Jan 26,
2023 — The local experts had a few recommendations, including History Rock and Bear Canyon, near Bozeman, and Beehive
Basin, near Big Sky. Book: New Backcountry Ski Guide From ascent information and shaded maps of skiable terrain to GPS
waypoints and statistics on each location, this book will prove extremely useful for earning ...