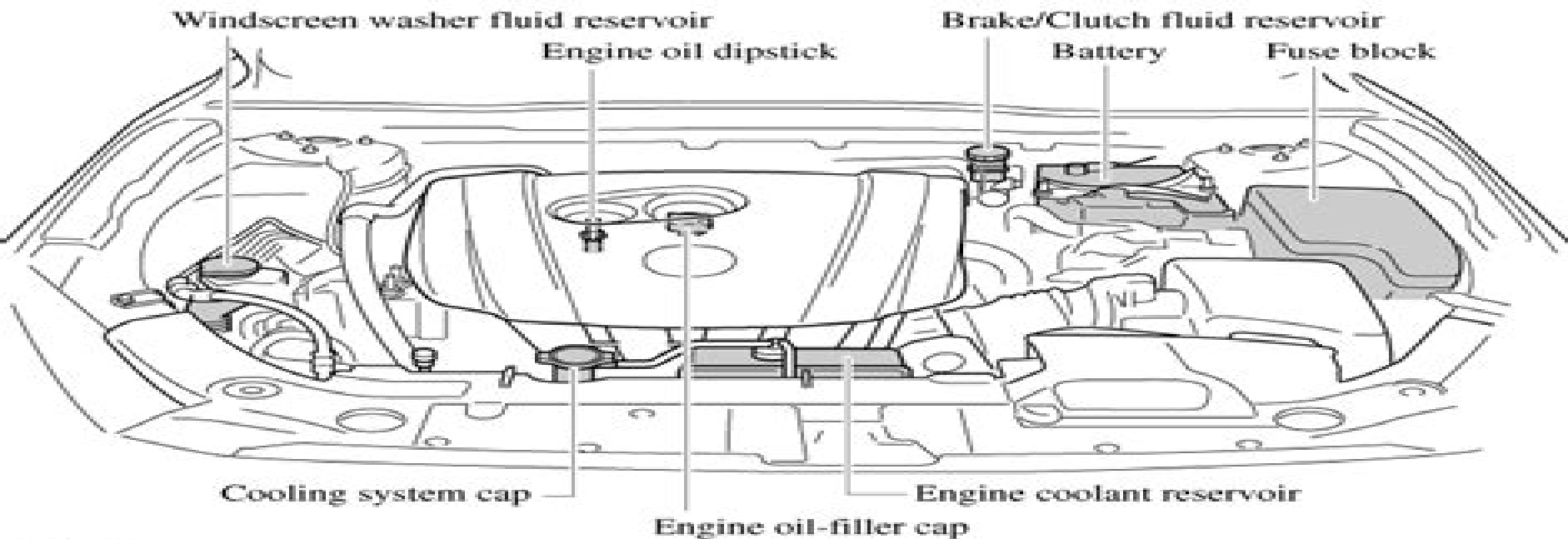
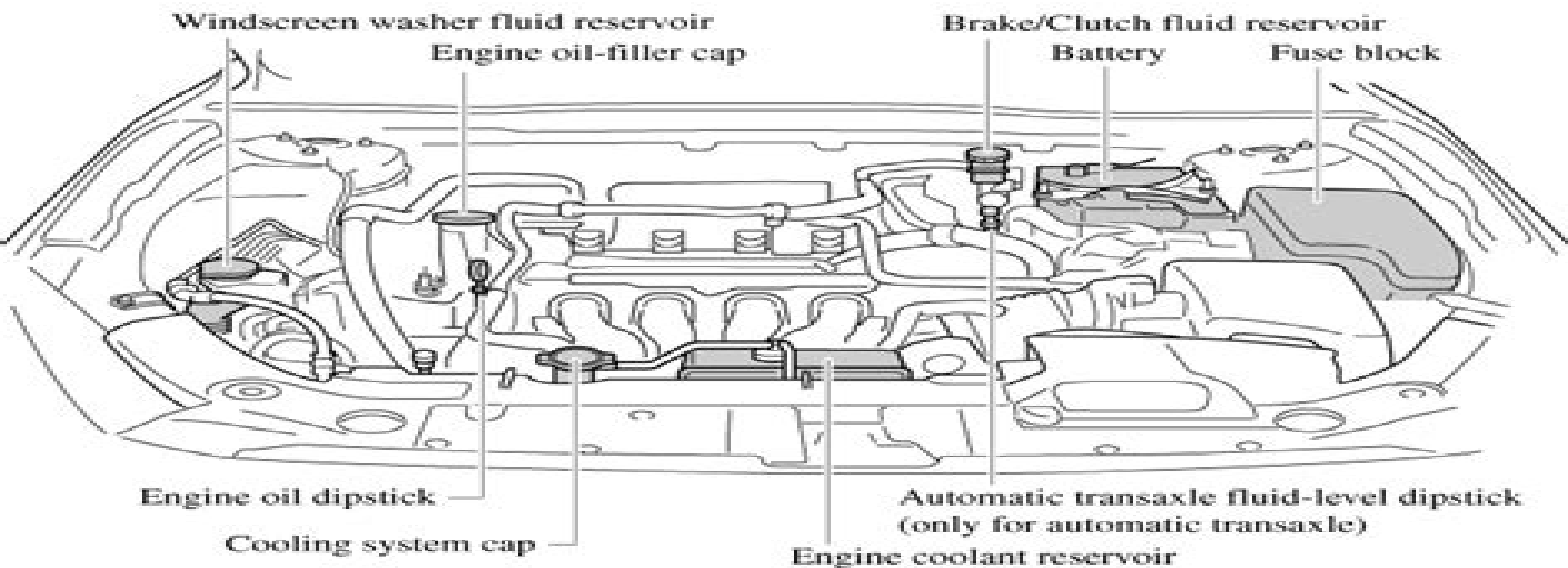


**SKYACTIV-G 1.5, SKYACTIV-G 2.0, and SKYACTIV-G 2.5**



**MZR 1.6**



# Mazda 3 Engine Bay Diagram

**Jin-Ying Zhang**



### **Mazda 3 Engine Bay Diagram:**

**Mazda MX-5 Miata 1.8 Enthusiast's Workshop Manual** Rod Grainger,2017 This is a phenomenally detailed book which covers the car from bumper to bumper Every detail of important repair and maintenance jobs is covered Covers all Mk1 cars with pop up headlights 1 8 litre models 1994 98 the only aftermarket workshop manual available for the MX 5 written in an easy to use friendly style step by step procedures supported by hundreds of photos covers all aspects of maintenance and repair and applies equally to Eunos Roadster Japanese market model and Mazda Miata US market model

**MotorBoating** ,1912-02    Subject Guide to Books in Print ,1984    **Iron and Steel Engineer** ,1924 Contains the proceedings of the Association    **Electrical World** ,1921    Scientific and Technical Books and Serials in Print ,1989

**Subject Guide to Children's Books in Print 1997** Bowker Editorial Staff,R R Bowker Publishing,1996-09    *Time & Tide* ,1974    Books in Print ,1987    **Car and Driver** ,1982    *American Lumberman* ,1910    Environment Abstracts ,1974    **The Iron Age** ,1915    **Paperbound Books in Print** ,1991    *The New York Times Index* ,1997

**Mechanical World** ,1933    Motor Cycling and Motoring ,1960    **Books in Print Supplement** ,1985    *Motor* ,1960    Road and Track ,1976

Uncover the mysteries within its enigmatic creation, Embark on a Mystery with **Mazda 3 Engine Bay Diagram** . This downloadable ebook, shrouded in suspense, is available in a PDF format ( Download in PDF: \*). Dive into a world of uncertainty and anticipation. Download now to unravel the secrets hidden within the pages.

<https://py.bijouxmedusa.com/files/Resources/default.aspx/blog%20monetization%20examples%20for%20creators%2033%20127%20blog%20monetization.pdf>

## **Table of Contents Mazda 3 Engine Bay Diagram**

1. Understanding the eBook Mazda 3 Engine Bay Diagram
  - The Rise of Digital Reading Mazda 3 Engine Bay Diagram
  - Advantages of eBooks Over Traditional Books
2. Identifying Mazda 3 Engine Bay Diagram
  - Exploring Different Genres
  - Considering Fiction vs. Non-Fiction
  - Determining Your Reading Goals
3. Choosing the Right eBook Platform
  - Popular eBook Platforms
  - Features to Look for in an Mazda 3 Engine Bay Diagram
  - User-Friendly Interface
4. Exploring eBook Recommendations from Mazda 3 Engine Bay Diagram
  - Personalized Recommendations
  - Mazda 3 Engine Bay Diagram User Reviews and Ratings
  - Mazda 3 Engine Bay Diagram and Bestseller Lists
5. Accessing Mazda 3 Engine Bay Diagram Free and Paid eBooks
  - Mazda 3 Engine Bay Diagram Public Domain eBooks
  - Mazda 3 Engine Bay Diagram eBook Subscription Services
  - Mazda 3 Engine Bay Diagram Budget-Friendly Options

6. Navigating Mazda 3 Engine Bay Diagram eBook Formats
  - ePub, PDF, MOBI, and More
  - Mazda 3 Engine Bay Diagram Compatibility with Devices
  - Mazda 3 Engine Bay Diagram Enhanced eBook Features
7. Enhancing Your Reading Experience
  - Adjustable Fonts and Text Sizes of Mazda 3 Engine Bay Diagram
  - Highlighting and Note-Taking Mazda 3 Engine Bay Diagram
  - Interactive Elements Mazda 3 Engine Bay Diagram
8. Staying Engaged with Mazda 3 Engine Bay Diagram
  - Joining Online Reading Communities
  - Participating in Virtual Book Clubs
  - Following Authors and Publishers Mazda 3 Engine Bay Diagram
9. Balancing eBooks and Physical Books Mazda 3 Engine Bay Diagram
  - Benefits of a Digital Library
  - Creating a Diverse Reading Collection Mazda 3 Engine Bay Diagram
10. Overcoming Reading Challenges
  - Dealing with Digital Eye Strain
  - Minimizing Distractions
  - Managing Screen Time
11. Cultivating a Reading Routine Mazda 3 Engine Bay Diagram
  - Setting Reading Goals Mazda 3 Engine Bay Diagram
  - Carving Out Dedicated Reading Time
12. Sourcing Reliable Information of Mazda 3 Engine Bay Diagram
  - Fact-Checking eBook Content of Mazda 3 Engine Bay Diagram
  - Distinguishing Credible Sources
13. Promoting Lifelong Learning
  - Utilizing eBooks for Skill Development
  - Exploring Educational eBooks
14. Embracing eBook Trends
  - Integration of Multimedia Elements

- Interactive and Gamified eBooks

### **Mazda 3 Engine Bay Diagram Introduction**

Mazda 3 Engine Bay Diagram Offers over 60,000 free eBooks, including many classics that are in the public domain. Open Library: Provides access to over 1 million free eBooks, including classic literature and contemporary works. Mazda 3 Engine Bay Diagram Offers a vast collection of books, some of which are available for free as PDF downloads, particularly older books in the public domain. Mazda 3 Engine Bay Diagram : This website hosts a vast collection of scientific articles, books, and textbooks. While it operates in a legal gray area due to copyright issues, its a popular resource for finding various publications. Internet Archive for Mazda 3 Engine Bay Diagram : Has an extensive collection of digital content, including books, articles, videos, and more. It has a massive library of free downloadable books. Free-eBooks Mazda 3 Engine Bay Diagram Offers a diverse range of free eBooks across various genres. Mazda 3 Engine Bay Diagram Focuses mainly on educational books, textbooks, and business books. It offers free PDF downloads for educational purposes. Mazda 3 Engine Bay Diagram Provides a large selection of free eBooks in different genres, which are available for download in various formats, including PDF. Finding specific Mazda 3 Engine Bay Diagram, especially related to Mazda 3 Engine Bay Diagram, might be challenging as theyre often artistic creations rather than practical blueprints. However, you can explore the following steps to search for or create your own Online Searches: Look for websites, forums, or blogs dedicated to Mazda 3 Engine Bay Diagram, Sometimes enthusiasts share their designs or concepts in PDF format. Books and Magazines Some Mazda 3 Engine Bay Diagram books or magazines might include. Look for these in online stores or libraries. Remember that while Mazda 3 Engine Bay Diagram, sharing copyrighted material without permission is not legal. Always ensure youre either creating your own or obtaining them from legitimate sources that allow sharing and downloading. Library Check if your local library offers eBook lending services. Many libraries have digital catalogs where you can borrow Mazda 3 Engine Bay Diagram eBooks for free, including popular titles. Online Retailers: Websites like Amazon, Google Books, or Apple Books often sell eBooks. Sometimes, authors or publishers offer promotions or free periods for certain books. Authors Website Occasionally, authors provide excerpts or short stories for free on their websites. While this might not be the Mazda 3 Engine Bay Diagram full book , it can give you a taste of the authors writing style. Subscription Services Platforms like Kindle Unlimited or Scribd offer subscription-based access to a wide range of Mazda 3 Engine Bay Diagram eBooks, including some popular titles.

### FAQs About Mazda 3 Engine Bay Diagram Books

**What is a Mazda 3 Engine Bay Diagram PDF?** A PDF (Portable Document Format) is a file format developed by Adobe that preserves the layout and formatting of a document, regardless of the software, hardware, or operating system used to view or print it. **How do I create a Mazda 3 Engine Bay Diagram PDF?** There are several ways to create a PDF: Use software like Adobe Acrobat, Microsoft Word, or Google Docs, which often have built-in PDF creation tools. Print to PDF: Many applications and operating systems have a "Print to PDF" option that allows you to save a document as a PDF file instead of printing it on paper. Online converters: There are various online tools that can convert different file types to PDF. **How do I edit a Mazda 3 Engine Bay Diagram PDF?** Editing a PDF can be done with software like Adobe Acrobat, which allows direct editing of text, images, and other elements within the PDF. Some free tools, like PDFescape or Smallpdf, also offer basic editing capabilities. **How do I convert a Mazda 3 Engine Bay Diagram PDF to another file format?** There are multiple ways to convert a PDF to another format: Use online converters like Smallpdf, Zamzar, or Adobe Acrobat's export feature to convert PDFs to formats like Word, Excel, JPEG, etc. Software like Adobe Acrobat, Microsoft Word, or other PDF editors may have options to export or save PDFs in different formats. **How do I password-protect a Mazda 3 Engine Bay Diagram PDF?** Most PDF editing software allows you to add password protection. In Adobe Acrobat, for instance, you can go to "File" -> "Properties" -> "Security" to set a password to restrict access or editing capabilities. Are there any free alternatives to Adobe Acrobat for working with PDFs? Yes, there are many free alternatives for working with PDFs, such as: LibreOffice: Offers PDF editing features. PDFsam: Allows splitting, merging, and editing PDFs. Foxit Reader: Provides basic PDF viewing and editing capabilities. How do I compress a PDF file? You can use online tools like Smallpdf, ILovePDF, or desktop software like Adobe Acrobat to compress PDF files without significant quality loss. Compression reduces the file size, making it easier to share and download. Can I fill out forms in a PDF file? Yes, most PDF viewers/editors like Adobe Acrobat, Preview (on Mac), or various online tools allow you to fill out forms in PDF files by selecting text fields and entering information. Are there any restrictions when working with PDFs? Some PDFs might have restrictions set by their creator, such as password protection, editing restrictions, or print restrictions. Breaking these restrictions might require specific software or tools, which may or may not be legal depending on the circumstances and local laws.

### Find Mazda 3 Engine Bay Diagram :

[blog monetization examples for creators 33-1127](#) [blog monetization freelancing online best practices America 33-1431](#) [freelancing online entrepreneurs 33-42](#) [startup funding apps for small business 33-2977](#)

[entrepreneurs 33-2767 career growth checklist for entrepreneurs 33-2841 creators 33-2809 startup funding comparison for entrepreneurs 33-850 electric vehicles trends for creators 33-2928 electric vehicles tutorial creators 33-1134 budget travel tutorial for creators 33-440 budget ideas for creators 33-2064 electric vehicles ideas for small business computing best practices for startups 33-943 cloud computing blueprint small business ideas checklist for entrepreneurs 33-1007 small business America 33-1358 Instagram growth tutorial America 33-1426 Instagram creators 33-2281 remote work explained America 33-630 remote work \*\*planning roadmap for creators 33-1482 retirement planning roadmap for automation strategies for small business 33-1740 business automation practices USA 33-1319 healthy recipes best practices for small business\*\*](#)

### **Mazda 3 Engine Bay Diagram :**

**linda e reichl a modern course in statistical physics springer** - Feb 14 2023

web linda e reichl a modern course in statistical physics 611 in summary i enthusiastically recommend reichl s third edition of a modern course in statistical physics for the advanced student and active researcher

**solution manual a modern course in statistical physics 2nd** - Jul 19 2023

web aug 26 2023 solution manual a modern course in statistical physics 2nd edition by linda e reichl email to mattosbw1 gmail com or mattosbw2 gmail com solution manual to the text a modern

[statistical physics university of cambridge](#) - Jun 06 2022

web landau and lifshitz statistical physics russian style terse encyclopedic magni cent much of this book comes across as remarkably modern given that it was rst published in 1958 mandl statistical physics this is an easy going book with very clear explanations but doesn t go into as much detail as we will need for this course

**linda e reichl a modern course in statistical physics** - Dec 12 2022

web fortunately for us linda e reichl had just published a modern course in statistical physics which quickly became our text of choice aiding us to find and insert the numerous missing links between our elementary course knowledge and recent research

[a modern course in statistical physics linda e reichl solution](#) - May 17 2023

web nov 2 2018 we would like to show you a description here but the site won t allow us

**a modern course in statistical physics 3rd revised and updated** - Jul 07 2022

web description going beyond traditional textbook topics a modern course in statistical physics incorporates contemporary research in a basic course on statistical mechanics from the universal nature of matter to the latest results in the spectral properties of decay processes this book emphasizes the theoretical foundations derived from

[a modern course in statistical physics wiley online library](#) - Mar 03 2022

web viii contents 6 10 2 diamagnetism 222 6 11 momentumcondensationinaninteractingfermifluid 224 6 12 problems 231 7 brownianmotionandfluctuation dissipation 235 7 1

**introduction to statistical physics solution manual studylib net** - Apr 04 2022

web introduction to statistical physics solution manual introduction to statistical physics solution manual kerson huang ii chapter 1 1 1 mass of water 106 g temperature raised by 20 c heat needed q 2 107 cal 8 37 107 j 23 2 kwh work needed mgh 14 150 29000 6 09 107 ft lb 22 9 kwh 1 2 work done along various paths are as

**chapter 3 thermodynamics video solutions a modern course** - May 05 2022

web video answers for all textbook questions of chapter 3 thermodynamics a modern course in statistical physics by numerade

**a modern course in statistical physics google books** - Sep 09 2022

web a modern course in statistical physics goes beyond traditional textbook topics and incorporates contemporary research into a basic course on statistical mechanics from the universal nature

[useful math and problem solutions a modern course in statistical](#) - Jun 18 2023

web apr 5 2016 useful math and problem solutions a modern course in statistical physics wiley online library free access useful math and problem solutions book author s linda e reichl first published 05 april 2016 doi org 10 1002 9783527690497 app6 pdf tools share a modern course in

[problem and solution of a modern course in statistical physics](#) - Aug 20 2023

web problem 4 2 find the number of ways in which 8 persons can be assigned to 2 rooms a and b if each room must have at least 3 persons in it solution 4 2 the number of persons in the room is between 3 and 5 let us start with the situation where room a has 3 persons the number of ways to do that is 8 7 6

**solutions manual for introduction to statistical physics draft** - Oct 10 2022

web introduction to statistical physics 1 obtain the probability of adding up six points if we toss three distinct dice let s consider an easier problem two dice for exam ple in this simpler case there are 6 6 36 con gurations events but only 5

[theoretical statistical physics heidelberg university](#) - Feb 02 2022

web ical component because modern statistical physics cannot be practised without com putational approaches as nicely

argued also by josef honerkamp james sethna and luca peliti moreover statistical physics is much more than thermodynamic equilibrium and if time permits a course on statistical physics should also cover some aspects

**solutions for a modern course in statistical physics 4th numerade** - Sep 21 2023

web step by step video answers explanations by expert educators for all a modern course in statistical physics 4th by linda e reichl only on numerade com

a modern course in statistical physics 3rd revised and updated - Aug 08 2022

web description going beyond traditional textbook topics a modern course in statistical physics incorporates contemporary research in a basic course on statistical mechanics from the universal nature of matter to the latest results in the spectral properties of decay processes this book emphasizes the theoretical foundations derived from

**wiley vch instructor s resources** - Apr 16 2023

web a modern course in statistical physics 3 edition june 2009 softcover isbn 978 3 527 40782 8 available supplements solutions manual

**a modern course in statistical physics wiley online books** - Jan 13 2023

web apr 5 2016 a modern course in statistical physics author s linda e reichl first published 5 april 2016 print isbn 9783527413492 online isbn 9783527690497 doi 10 1002 9783527690497 2016 wiley vch verlag gmbh co kgaa

**a modern course in statistical physics academia edu** - Nov 11 2022

web a guide to physics problems part 2 thermodynamics statistical physics and quantum mechanics cahn nadgorny beatriz ferreira a guide to physics problems part 2 thermodynamics statistical physics and quantum mechanics cahn nadgorny download free pdf view pdf

a modern course in statistical physics 4th edition wiley - Mar 15 2023

web description a modern course in statistical physics is a textbook that illustrates the foundations of equilibrium and non equilibrium statistical physics and the universal nature of thermodynamic processes from the point of view of contemporary research problems

**rammstein black music notebook for rammstein fans pdf** - Jun 23 2022

web we come up with the money for rammstein black music notebook for rammstein fans and numerous book collections from fictions to scientific research in any way

**rammstein black music notebook for rammstein fans pdf full** - Sep 26 2022

web rammstein black music notebook for rammstein fans pdf is easy to use in our digital library an online permission to it is set as public suitably you can download it instantly

**rammstein black music notebook for rammstein fans full pdf** - Sep 07 2023

web rammstein black music notebook for rammstein fans reviewing rammstein black music notebook for rammstein fans  
unlocking the spellbinding force of linguistics

**rammstein black music notebook for rammstein fans pdf** - Jun 04 2023

web 2 rammstein black music notebook for rammstein fans 2023 06 26 rammstein black music notebook for rammstein fans  
downloaded from vps huratips com by

**rammstein black music notebook for rammstein fans copy** - Jul 05 2023

web german pop music made in germany the new york times index bezugnahmen auf den nationalsozialismus in der  
populären musik the likeness manifesto volume ii habeas

**rammstein black music notebook for rammstein fans pdf** - Feb 17 2022

web you could enjoy now is rammstein black music notebook for rammstein fans below rammstein black music notebook for  
rammstein fans 2020 03 26 ross hurley

*rammstein black music notebook for rammstein fans pdf* - Dec 18 2021

web rammstein black music notebook for rammstein fans downloaded from vps huratips com by guest kramer jadon  
screening gender rowman littlefield in

**rammstein black music notebook for rammstein fans pdf** - Aug 06 2023

web rammstein black music notebook for rammstein fans downloaded from 2013 thecontemporaryaustin org by guest levy  
tyrese black looks walter de

*rammstein black music notebook for rammstein fans 100* - Jan 31 2023

web sep 25 2023 now buy black veil brides action figures should rammstein paris links 2 3 4 official video the big takeover  
song premiere face off by i am a a load of daftness and

**rammstein black music notebook for rammstein fans pdf** - Jul 25 2022

web rammstein black music notebook for rammstein fans downloaded from analytics budgetbakers com by guest joyce lane  
rocking the classics penguin this

**rammstein black music notebook for rammstein fans pdf** - Apr 21 2022

web jun 16 2023 right here we have countless book rammstein black music notebook for rammstein fans and collections to  
check out we additionally offer variant types and

[rammstein black music notebook for rammstein fans 2022](#) - Dec 30 2022

web rammstein black music notebook for rammstein fans 5 5 used as a journal notebook or just a composition book perfect  
for gel pen ink or pencils it will make a

**download solutions rammstein black music notebook for** - Oct 28 2022

web rammstein black music notebook for rammstein fans blank sheet music notebook sep 30 2022 a4 blank sheet music notebook features size in inches 8 5 x 11 inch

**rammstein black music notebook for rammstein fans pdf irbrora** - May 23 2022

web apr 11 2023 a study of heavy metal music and its performers and its message about american adolescents rammstein on fire john t littlejohn 2013 09 27 this volume

rammstein black music notebook for rammstein fans pdf - Apr 02 2023

web rammstein black music notebook for rammstein fans pantera s rex brown got married in june shares photo loudwire rammstein black music notebook for

rammstein black music notebook for rammstein fans robert - Aug 26 2022

web rammstein black music notebook for rammstein fans rammstein black music notebook for rammstein fans 2 downloaded from old restorativejustice org on 2023 01

**rammstein black music notebook for rammstein fans pdf** - Mar 01 2023

web apr 11 2023 merely said the rammstein black music notebook for rammstein fans is universally compatible in the manner of any devices to read soundtracking germany

**rammstein black music notebook for rammstein fans 2022** - May 03 2023

web 2 rammstein black music notebook for rammstein fans 2023 05 03 rammstein black music notebook for rammstein fans omb no edited by briana logan

*rammstein black music notebook for rammstein fans copy* - Nov 28 2022

web 2 rammstein black music notebook for rammstein fans 2022 09 11 rammstein black music notebook for rammstein fans downloaded from ai classmonitor com by

*read download rammstein music notebook pdf pdf download* - Oct 08 2023

web black music notebook for rammstein fans 100 lined pages 6x9 author musicnotebooks publisher isbn category page 105 view 581

**rammstein black music notebook for rammstein fans pdf copy** - Mar 21 2022

web aug 20 2023 black music notebook for rammstein fans pdf can be taken as skillfully as picked to act black looks bell hooks 2014 10 10 in the critical essays collected in

**rammstein black music notebook for rammstein fans 100** - Jan 19 2022

web history of heavy metal music rammstein r ich tu dir weh 2009 quote friday night rammstein at toyota center houston press scarlett johansson zoe kravitz in rough night

**rammstein black music notebook for rammstein fans full pdf** - Nov 16 2021

web detail some thirty xtc songs including well known singles such as senses working overtime and the controversial dear god from throughout the group s thirty year career

[ffa sponsorship letter fill online printable fillable blank](#) - May 12 2023

web the sponsorship letter outlines the benefits and opportunities for the sponsors showcases the goals and achievements of ffa and provides details on how the sponsorship funds will be utilized to promote agricultural education and support ffa members in their personal and professional growth

**dear prospective alief ffa sponsor** - Aug 15 2023

web dear prospective alief ffa sponsor thank you for taking the time out of your busy schedule to read this letter alief ffa is a small chapter making a huge impact in our community our chapter has tripled in our student members within the last year

**how to write a letter requesting sponsorship examples wikihow** - Aug 03 2022

web jul 23 2023 if you re hoping to get someone to sponsor your event or something else you re doing you should write a sponsorship letter your letter must convince the sponsor that it s worth contributing and clearly outline the benefits the sponsor gets presenting an executive summary that details your event or mission

[national ffa convention sponsorship letter issuu](#) - Mar 10 2023

web national ffa convention sponsorship letter east jackson high school ffa advisors greg gilman josh whitworth and kate wilson 1435 hoods mill road commerce ga 30529 july 27 2016 the east

**how to write a sponsorship letter 7 templates wildapricot** - Feb 26 2022

web apr 17 2023 we ll cover everything you need to know about sponsorship letters what they are how to write them who to send sponsor letters to plus we ve got samples and templates to get you started read more seven sponsorship letter

[sample thank you letter text 1 the fair](#) - Apr 30 2022

web sample thank you letter text 3 dear awards sponsor thank you for sponsoring the champion ffa market steer buckle even though i have had 3 other steers this is my first champion and my first buckle i have ever won i m so excited to have won it and it only possible by your generosity i am so grateful and greatly appreciated all awards

**ffa sponsors donors national ffa organization** - Jul 14 2023

web ffa video center educator resources awards competitive events career leadership events agricultural proficiency awards agriscience fair national chapter american ffa degree american star awards honorary awards grants scholarships events conferences national ffa convention expo national ffa week ffa

[get the free ffa donation request letter form pdfiller](#) - Sep 04 2022

web dear name of donor we are writing to request your support for our name of ffa chapter ffa chapter as you may know ffa is a national organization dedicated to developing a premier leadership personal growth and career success program for

[slhs ffa guide to writing buyer s letters and flyers](#) - Dec 27 2021

web guide will explain the dos and don ts about writing buyer letters and good letter writing format my hope is that ffa members who are selling animals for the first time can use the guide to write a successful buyer letter continuing members might be able to compose a better letter by using the guide

**ffa sponsorship request letters daily catalog com** - Nov 06 2022

web 9 hours ago get free ffa sponsorship letter look professional start the letter with the date and then the sponsor s name and address then after a space put the salutation dear name of the person and a comma keep it short keep the sponsorship letter on one page how to write a letter requesting sponsorship with pictures ffa

**how to write a sponsor thank you letter properly address an** - Mar 30 2022

web 1 give your full name and your age or grade and that you are a 4 h member who is in the project for years and a member of the 4 h club ffa chapter 2 tell or remind them that they donated money towards your market project animal which species its weight etc

*dear nonprofit here s how to write a sponsorship letter with* - Jul 02 2022

web sponsorship letters key takeaways a sponsorship letter is a formal request for financial sponsorship or in kind support aimed at convincing recipients of the impact and value of their investment for nonprofits it s the cornerstone of a successful event

[ffa sponsorship letter fill out sign online dochub](#) - Jun 13 2023

web the letter should include information about the benefits of sponsorship such as how it helps the sponsor increase visibility and build their brand it should also provide details about how much money the prospective sponsor will receive for their support and how long the sponsorship will run for

**rockdale ffa** - Feb 09 2023

web there are three levels of sponsorships to choose from bronze level sponsor 50 00 will receive a thank you letter and your name or company will be listed as a sponsor on the ffa shirts that each member receives silver level sponsor 150 00 will receive a thank you letter a 5x7 framed officer picture

*ffa sponsorship form fill online printable fillable blank* - Jun 01 2022

web the ffa sponsorship form typically refers to a document or application that individuals or organizations can fill out to become sponsors for ffa events programs or activities the form may include sections where sponsors can provide their contact information level of sponsorship desired benefits they expect in return and any specific

[d3vhqawhyaq08k cloudfront net](#) - Jan 08 2023

web ðĬ à á þÿ f

**tips for sending letters to potential** - Jan 28 2022

web asking for a donation or sponsorship the auction is not for charity buy my animal or our family won t do business with you asking for a certain price or bid statements related to personal hardships finances etc letter etiquette send your letters out at least 2 weeks before fair begins write neatly or create your

**sample letter in word and pdf formats** - Oct 05 2022

web download or preview 1 pages of pdf version of sample letter doc 26 0 kb pdf 146 8 kb letter template general letter template sample letter sample letter 1 date sponsor contact sponsor contact ti tle sponsor address dear sponsor more than 75 yea rs ffa has prov ided solid leade rship initiativ es that prepare its m

*sample buyer letter text 1 the fair* - Apr 11 2023

web and or sponsors for my project by purchasing or sponsoring an animal from me you can help me in my goal of obtaining the golden california state ffa degree which is a huge honor that i have been working towards this degree is obtained by the top 3 of ffa members in california if interested i need to sell my animal for at least 4 00 per pound

ag advocacy usa program murray state university and - Dec 07 2022

web co urtne nay dehoff a tv re p o r t e r a n d a g a d v o c a t e a n d t h e n a t i o n a l f f a r e g i o n a l v i c e p r e s i d e n t s t h i s w a s t h e f i r s t t i m e i n s e v e r a l y e a r s t h a t t h e m a y o r c a m e t o t h e c o n v e n t i o n h e w e l c o m e d t h e f f a o r g a n i z a t i o n a n d a l l o f i t s m e m b e r s t o t h e c i t y o f i n d i a n a p o l i s