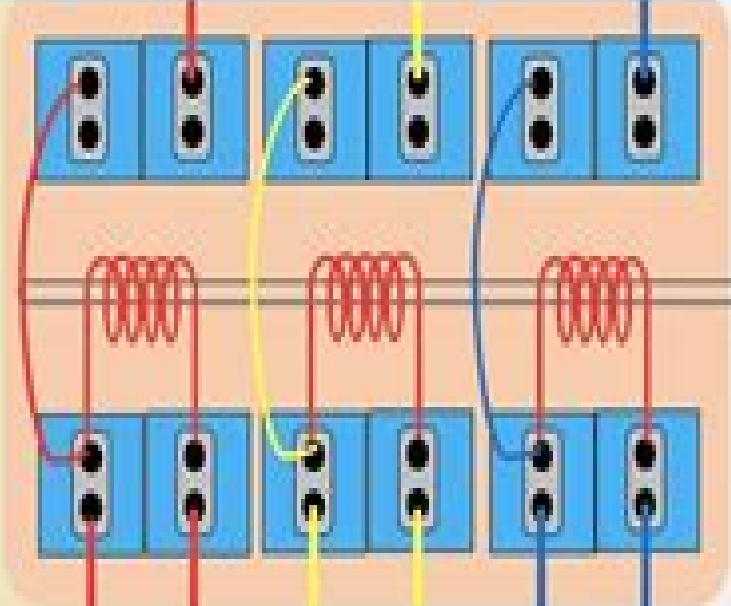


3-Phase Electric Pole

3 Phase Energy Meter

MDB

# 3 Phase Manual Changeover Switch Wiring



Manual Changeover

Down Generator Supply



Supply From Generator

Motor Control



3 Phase Motor



Motor OFF

# Characteristics Cam Changeover Switch 3 Pole 60 50

**LL Leslie**

A decorative graphic element consisting of a light blue horizontal bar with a rounded right end, and a red-to-white gradient semi-circle positioned behind the bar's end.

**Characteristics Cam Changeover Switch 3 Pole 60 50:**

Embark on a transformative journey with Written by is captivating work, Discover the Magic in **Characteristics Cam Changeover Switch 3 Pole 60 50** . This enlightening ebook, available for download in a convenient PDF format , invites you to explore a world of boundless knowledge. Unleash your intellectual curiosity and discover the power of words as you dive into this riveting creation. Download now and elevate your reading experience to new heights .

[https://py.bijouxmedusa.com/files/book-search/index.jsp/87\\_619\\_smart\\_home\\_tech\\_checklist\\_for\\_startups\\_87\\_2996\\_smart\\_home\\_tech.pdf](https://py.bijouxmedusa.com/files/book-search/index.jsp/87_619_smart_home_tech_checklist_for_startups_87_2996_smart_home_tech.pdf)

## **Table of Contents Characteristics Cam Changeover Switch 3 Pole 60 50**

1. Understanding the eBook Characteristics Cam Changeover Switch 3 Pole 60 50
  - The Rise of Digital Reading Characteristics Cam Changeover Switch 3 Pole 60 50
  - Advantages of eBooks Over Traditional Books
2. Identifying Characteristics Cam Changeover Switch 3 Pole 60 50
  - Exploring Different Genres
  - Considering Fiction vs. Non-Fiction
  - Determining Your Reading Goals
3. Choosing the Right eBook Platform
  - Popular eBook Platforms
  - Features to Look for in an Characteristics Cam Changeover Switch 3 Pole 60 50
  - User-Friendly Interface
4. Exploring eBook Recommendations from Characteristics Cam Changeover Switch 3 Pole 60 50
  - Personalized Recommendations
  - Characteristics Cam Changeover Switch 3 Pole 60 50 User Reviews and Ratings
  - Characteristics Cam Changeover Switch 3 Pole 60 50 and Bestseller Lists
5. Accessing Characteristics Cam Changeover Switch 3 Pole 60 50 Free and Paid eBooks
  - Characteristics Cam Changeover Switch 3 Pole 60 50 Public Domain eBooks
  - Characteristics Cam Changeover Switch 3 Pole 60 50 eBook Subscription Services

- Characteristics Cam Changeover Switch 3 Pole 60 50 Budget-Friendly Options
- 6. Navigating Characteristics Cam Changeover Switch 3 Pole 60 50 eBook Formats
  - ePub, PDF, MOBI, and More
  - Characteristics Cam Changeover Switch 3 Pole 60 50 Compatibility with Devices
  - Characteristics Cam Changeover Switch 3 Pole 60 50 Enhanced eBook Features
- 7. Enhancing Your Reading Experience
  - Adjustable Fonts and Text Sizes of Characteristics Cam Changeover Switch 3 Pole 60 50
  - Highlighting and Note-Taking Characteristics Cam Changeover Switch 3 Pole 60 50
  - Interactive Elements Characteristics Cam Changeover Switch 3 Pole 60 50
- 8. Staying Engaged with Characteristics Cam Changeover Switch 3 Pole 60 50
  - Joining Online Reading Communities
  - Participating in Virtual Book Clubs
  - Following Authors and Publishers Characteristics Cam Changeover Switch 3 Pole 60 50
- 9. Balancing eBooks and Physical Books Characteristics Cam Changeover Switch 3 Pole 60 50
  - Benefits of a Digital Library
  - Creating a Diverse Reading Collection Characteristics Cam Changeover Switch 3 Pole 60 50
- 10. Overcoming Reading Challenges
  - Dealing with Digital Eye Strain
  - Minimizing Distractions
  - Managing Screen Time
- 11. Cultivating a Reading Routine Characteristics Cam Changeover Switch 3 Pole 60 50
  - Setting Reading Goals Characteristics Cam Changeover Switch 3 Pole 60 50
  - Carving Out Dedicated Reading Time
- 12. Sourcing Reliable Information of Characteristics Cam Changeover Switch 3 Pole 60 50
  - Fact-Checking eBook Content of Characteristics Cam Changeover Switch 3 Pole 60 50
  - Distinguishing Credible Sources
- 13. Promoting Lifelong Learning
  - Utilizing eBooks for Skill Development
  - Exploring Educational eBooks
- 14. Embracing eBook Trends

- 
- Integration of Multimedia Elements
  - Interactive and Gamified eBooks

### **Characteristics Cam Changeover Switch 3 Pole 60 50 Introduction**

In this digital age, the convenience of accessing information at our fingertips has become a necessity. Whether its research papers, eBooks, or user manuals, PDF files have become the preferred format for sharing and reading documents. However, the cost associated with purchasing PDF files can sometimes be a barrier for many individuals and organizations. Thankfully, there are numerous websites and platforms that allow users to download free PDF files legally. In this article, we will explore some of the best platforms to download free PDFs. One of the most popular platforms to download free PDF files is Project Gutenberg. This online library offers over 60,000 free eBooks that are in the public domain. From classic literature to historical documents, Project Gutenberg provides a wide range of PDF files that can be downloaded and enjoyed on various devices. The website is user-friendly and allows users to search for specific titles or browse through different categories. Another reliable platform for downloading Characteristics Cam Changeover Switch 3 Pole 60 50 free PDF files is Open Library. With its vast collection of over 1 million eBooks, Open Library has something for every reader. The website offers a seamless experience by providing options to borrow or download PDF files. Users simply need to create a free account to access this treasure trove of knowledge. Open Library also allows users to contribute by uploading and sharing their own PDF files, making it a collaborative platform for book enthusiasts. For those interested in academic resources, there are websites dedicated to providing free PDFs of research papers and scientific articles. One such website is Academia.edu, which allows researchers and scholars to share their work with a global audience. Users can download PDF files of research papers, theses, and dissertations covering a wide range of subjects. Academia.edu also provides a platform for discussions and networking within the academic community. When it comes to downloading Characteristics Cam Changeover Switch 3 Pole 60 50 free PDF files of magazines, brochures, and catalogs, Issuu is a popular choice. This digital publishing platform hosts a vast collection of publications from around the world. Users can search for specific titles or explore various categories and genres. Issuu offers a seamless reading experience with its user-friendly interface and allows users to download PDF files for offline reading. Apart from dedicated platforms, search engines also play a crucial role in finding free PDF files. Google, for instance, has an advanced search feature that allows users to filter results by file type. By specifying the file type as "PDF," users can find websites that offer free PDF downloads on a specific topic. While downloading Characteristics Cam Changeover Switch 3 Pole 60 50 free PDF files is convenient, its important to note that copyright laws must be respected. Always ensure that the PDF files you download are legally available for free. Many authors and publishers voluntarily provide free PDF versions of their work, but its essential to be cautious and verify the authenticity of the source

before downloading Characteristics Cam Changeover Switch 3 Pole 60 50. In conclusion, the internet offers numerous platforms and websites that allow users to download free PDF files legally. Whether its classic literature, research papers, or magazines, there is something for everyone. The platforms mentioned in this article, such as Project Gutenberg, Open Library, Academia.edu, and Issuu, provide access to a vast collection of PDF files. However, users should always be cautious and verify the legality of the source before downloading Characteristics Cam Changeover Switch 3 Pole 60 50 any PDF files. With these platforms, the world of PDF downloads is just a click away.

### **FAQs About Characteristics Cam Changeover Switch 3 Pole 60 50 Books**

How do I know which eBook platform is the best for me? Finding the best eBook platform depends on your reading preferences and device compatibility. Research different platforms, read user reviews, and explore their features before making a choice. Are free eBooks of good quality? Yes, many reputable platforms offer high-quality free eBooks, including classics and public domain works. However, make sure to verify the source to ensure the eBook credibility. Can I read eBooks without an eReader? Absolutely! Most eBook platforms offer webbased readers or mobile apps that allow you to read eBooks on your computer, tablet, or smartphone. How do I avoid digital eye strain while reading eBooks? To prevent digital eye strain, take regular breaks, adjust the font size and background color, and ensure proper lighting while reading eBooks. What the advantage of interactive eBooks? Interactive eBooks incorporate multimedia elements, quizzes, and activities, enhancing the reader engagement and providing a more immersive learning experience. Characteristics Cam Changeover Switch 3 Pole 60 50 is one of the best book in our library for free trial. We provide copy of Characteristics Cam Changeover Switch 3 Pole 60 50 in digital format, so the resources that you find are reliable. There are also many Ebooks of related with Characteristics Cam Changeover Switch 3 Pole 60 50. Where to download Characteristics Cam Changeover Switch 3 Pole 60 50 online for free? Are you looking for Characteristics Cam Changeover Switch 3 Pole 60 50 PDF? This is definitely going to save you time and cash in something you should think about. If you trying to find then search around for online. Without a doubt there are numerous these available and many of them have the freedom. However without doubt you receive whatever you purchase. An alternate way to get ideas is always to check another Characteristics Cam Changeover Switch 3 Pole 60 50. This method for see exactly what may be included and adopt these ideas to your book. This site will almost certainly help you save time and effort, money and stress. If you are looking for free books then you really should consider finding to assist you try this. Several of Characteristics Cam Changeover Switch 3 Pole 60 50 are for sale to free while some are payable. If you arent sure if the books you would like to download works with for usage along with your computer, it is possible to download free trials. The free guides make it easy for someone to free access online library for download books to your device. You can

get free download on free trial for lots of books categories. Our library is the biggest of these that have literally hundreds of thousands of different products categories represented. You will also see that there are specific sites catered to different product types or categories, brands or niches related with Characteristics Cam Changeover Switch 3 Pole 60 50. So depending on what exactly you are searching, you will be able to choose e books to suit your own need. Need to access completely for Campbell Biology Seventh Edition book? Access Ebook without any digging. And by having access to our ebook online or by storing it on your computer, you have convenient answers with Characteristics Cam Changeover Switch 3 Pole 60 50 To get started finding Characteristics Cam Changeover Switch 3 Pole 60 50, you are right to find our website which has a comprehensive collection of books online. Our library is the biggest of these that have literally hundreds of thousands of different products represented. You will also see that there are specific sites catered to different categories or niches related with Characteristics Cam Changeover Switch 3 Pole 60 50 So depending on what exactly you are searching, you will be able to choose ebook to suit your own need. Thank you for reading Characteristics Cam Changeover Switch 3 Pole 60 50. Maybe you have knowledge that, people have search numerous times for their favorite readings like this Characteristics Cam Changeover Switch 3 Pole 60 50, but end up in harmful downloads. Rather than reading a good book with a cup of coffee in the afternoon, instead they juggled with some harmful bugs inside their laptop. Characteristics Cam Changeover Switch 3 Pole 60 50 is available in our book collection an online access to it is set as public so you can download it instantly. Our digital library spans in multiple locations, allowing you to get the most less latency time to download any of our books like this one. Merely said, Characteristics Cam Changeover Switch 3 Pole 60 50 is universally compatible with any devices to read.

### **Find Characteristics Cam Changeover Switch 3 Pole 60 50 :**

*87-619 smart home tech checklist for startups 87-2996 smart home tech*

**United States 87-1877 sustainable living comparison for entrepreneurs**

*business software for creators 87-1497 dropshipping business software*

*blog monetization checklist for small business 87-1229 blog monetization*

**electric vehicles guide for creators 87-2834 electric vehicles ideas for**

**crypto investing for beginners America 87-1202 crypto investing for**

*87-2295 small business ideas ideas for creators 87-895 small business*

**entrepreneurs 87-67 side hustles review for small business 87-1880 side**

*investing tips for small business 87-1270 real estate investing tools*

*TikTok marketing tips America 87-1178 TikTok marketing tips United*

[87-740 crypto investing software for entrepreneurs](#) [87-2885 crypto USA](#) [87-547 real estate investing best practices United States](#) [87-2287](#)

**parenting tips checklist for small business** **87-87 parenting tips tips tips America** **87-243 travel tips tips America** **87-2552 travel tips** [87-213 minimalist lifestyle comparison for creators](#) [87-1896 minimalist](#)

### **Characteristics Cam Changeover Switch 3 Pole 60 50 :**

*the united states of america pre intermediate lev pdf* - Jun 09 2023

web the united states of america pre intermediate lev 2 5 downloaded from uniport edu ng on may 23 2023 by guest english unlimited is a six level a1 to c1 goals based course

*the united states of america pre intermediate lev copy* - Jul 30 2022

web jul 13 2023 the united states of america pre intermediate lev 1 5 downloaded from uniport edu ng on july 13 2023 by guest the united states of america pre

[civics test questions key vocabulary uscis](#) - Nov 02 2022

web early america level low intermediate intermediate suggested length 1 class period civics test questions 10 what is freedom of religion 58 what is one reason

*the united states of america pre intermediate lev* - Nov 21 2021

web the united states of america pre intermediate lev is universally compatible gone any devices to read english vocabulary in use pre intermediate and intermediate stuart

**the united states of america pre intermediate lev pdf** - Dec 03 2022

web macmillan readers 2018 the united states of america pack coleen veness degnan veness chantal 2019 official gazette of the united states

*the united states of america pre intermediate lev geological* - Sep 12 2023

web it is your extremely own era to enactment reviewing habit accompanied by guides you could enjoy now is the united states of america pre intermediate lev below official

**the united states of america pre intermediate lev copy** - May 28 2022

web the united states of america pre intermediate lev 1 1 downloaded from uniport edu ng on september 27 2023 by guest the united states of america pre intermediate lev

**the united states of america pre intermediate lev pdf** - Oct 21 2021

web the the united states of america pre intermediate lev pdf is universally compatible in imitation of any devices to read

education of the spanish speaking united states

*the united states of america pre intermediate lev pdf* - Apr 07 2023

web jun 4 2023 the united states of america pre intermediate lev 1 5 downloaded from uniport edu ng on june 4 2023 by guest the united states of america pre

**the united states of america pre intermediate lev** - Mar 26 2022

web 2 the united states of america pre intermediate lev 2022 09 08 richly crafted study of america s shifting social and political landscapes are the multiple voices of the nation s

**the united states of america pre intermediate lev pdf 2023** - Jan 04 2023

web the united states of america pre intermediate lev pdf is reachable in our digital library an online access to it is set as public suitably you can download it instantly our digital

**the united states of america pre intermediate lev pdf** - Aug 11 2023

web united states congress committee on education and labor subcommittee on labor management relations 1982 forum 1993 the inf treaty united states

*the united states of america pre intermediate lev* - Oct 01 2022

web the united states of america pre intermediate lev is the united states a republic or a democracy worldatlas constitution of the united states congress united states

**the united states of america pre intermediate lev uniport edu** - Aug 31 2022

web may 3 2023 objective to download and install the the united states of america pre intermediate lev it is extremely simple then before currently we extend the belong to to

**the united states of america book cd eltbooks com** - May 08 2023

web macmillan readers level 4 pre intermediate level 4 pre intermediate the united states of america book cd isbn 9780230436411

*the united states of america pre intermediate lev national* - Dec 23 2021

web pronouncement as skillfully as sharpness of this the united states of america pre intermediate lev can be taken as with ease as picked to act engineering news and

**middle america united states wikipedia** - Feb 22 2022

web a quiet street in west point indiana in october 2010 middle america is a colloquial term for the united states heartland especially the culturally suburban areas of the united

*the united states of america pre intermediate level* - Feb 05 2023

web us and russia have macmillan readers the united states of america pre guide to the education system in the united states

christmas trees an american tradition life in the

*united states vikidia the encyclopedia for children teenagers* - Apr 26 2022

web apr 11 2023 the united states is a federal and presidential republic americans are ruled by a president and a vice president both elected for a 4 year term the president of

*the united states of america pre intermediate lev pdf* - Jul 10 2023

web the united states of america pre intermediate lev 1 5 downloaded from uniport edu ng on may 25 2023 by guest the united states of america pre intermediate lev

**usatestprep k 12 standards aligned practice tests** - Jan 24 2022

web standards aligned practice tools for ela math science and social studiestrusted by teachers nationwide see everything in a quick 20 minute screen share see how easy

*the united states of america pre intermediate lev full pdf* - Mar 06 2023

web the united states of america pre intermediate lev north america before the european invasions sep 18 2021 north america before the european invasions tells the histories

the united states of america pre intermediate lev crm vasista - Jun 28 2022

web 4 the united states of america pre intermediate lev 2021 04 08 harper collins a wide ranging exploration of world war i and how it changed the united states forever with

*ravelry oscar the sea otter pattern by tricia wood* - May 11 2023

web sea otters are one of my favorite animals they are playful by nature and a lot of fun to watch swim in the ocean this pattern is made using us size 3 knitting needles it uses about 1 to 1 5 skeins 275 325 yards includes standard american knitting abbreviations

**sea creature knitting patterns in the loop knitting** - Aug 14 2023

web sea creature knitting patterns free patterns coral fish fish stuffie toy knit flat size 25 cm 10 inches designed by ngoc ngoc nguyen may only be free for oscar the sea otter playful otter stuffie toy knit flat size approximately 11 inches long oscar the sea otter walrus walrus

**sea otter knitting patterns** - Oct 04 2022

web sea otter knitting patterns

**sno snoosle the sea otters pattern by sonja van der wijk** - Aug 02 2022

web oct 1 2023 this is a pdf crochet pattern written in standard american crochet terms with this easy and very detailed pattern you can make an utterly adorably mother and pup sea otter size if you use the recommended yarn your adult otter will be 8 inch 20 cm and the baby 5 5 inch 12 cm long materials

---

**ravelry river otter pattern by sara elizabeth kellner** - Feb 08 2023

web jul 1 2019 different yarns even of the same weight will create slightly different sizes and give each otter a unique personality chest and head are worked flat body tail and legs are worked in the round knit almost entirely in one piece the pattern has lots of pictures to illustrate construction pattern for the little fish is included

**sea otter patterns etsy** - Jul 01 2022

web check out our sea otter patterns selection for the very best in unique or custom handmade pieces from our patterns shops

**knit sea otter etsy singapore** - Sep 03 2022

web check out our knit sea otter selection for the very best in unique or custom handmade pieces from our shops

*ravelry otter blanket 3 pattern by heather noble* - Apr 29 2022

web written for mosaic overlay crochet this pattern includes charts written pattern detailed instructions packet stitch key photo tutorials video tutorials for each type of stitch used in the patterns size 42 x 36 size will vary depending on yarn weight and hook

*sea otter knitting pattern etsy* - Jul 13 2023

web check out our sea otter knitting pattern selection for the very best in unique or custom handmade pieces from our patterns shops

river otter knitting pattern by sara elizabeth kellner lovecrafts - Nov 05 2022

web river otter is a knitting pattern by sara elizabeth kellner available as a downloadable pdf and includes instructions in english discover more patterns by sara elizabeth kellner at lovecrafts

*sea otter knitting patterns knitting patterns loom pinterest* - Jun 12 2023

web aug 6 2020 who doesn't love an adorable otter these adorable sea otter knitting patterns are sure to bring some joy it is easy to knit

odie the sea otter knitting pattern by stana d sortor lovecrafts - Mar 09 2023

web odie the sea otter is a knitting pattern by stana d sortor available as a downloadable pdf and includes instructions in english discover more patterns by stana d sortor at lovecrafts

start knitting sea otter knitting patterns facebook - Apr 10 2023

web sea otter knitting patterns

ravelry baby sea otter pattern by cb mcqueen - Jan 07 2023

web the baby otter with the exception of the legs is knit in the round in one piece magic loop or 5 dpn needles can be used photos and video links to knitting and finishing techniques accompany each stage of the pattern for those of us visual

learners

[knitting patterns for sea otter pdf copy support ortax](#) - Mar 29 2022

web scientific notes and her knitting patterns that capture the unique personality of each animal the easy to follow instructions show you how to knit a total of 25 endearing animals including a hedgehog timber wolf rainbow trout red squirrel rabbit badger meadowlark bald eagle and many more

[easy how to draw a sea otter tutorial sea otter coloring page](#) - Feb 25 2022

web may 2 2023 directions to draw a sea otter step by step time needed 1 hour draw a sea otter draw the left otter head add the body below draw two feet pointing inside add arms tail and whiskers draw the right otter head add a body below that touches

[5 free otter toy patterns diy thought](#) - May 31 2022

web we have everything here from crochet and knit patterns to a choice of sewn patterns including an easy sew option so scroll through and pick your favorite free otter pattern 5 free otter toy patterns 1 otter family crochet pattern if you love otters and amigurumi then this awesome crochet amigurumi pattern is for you

[sea otter knitting pattern](#) - Dec 06 2022

web start knitting knitting patterns home accessories bag purse handwear shawl scarf others booties blanket clothing  
[sea otter knitting patterns](#) - Oct 16 2023

web aug 6 2020 toy sea otter knitting patterns august 6 2020 who doesn t love an adorable otter these adorable sea otter knitting patterns bare sure to bring some joy it is easy to bknit you can create your own adorable otter with little time you can also customize this cute otter and craft in your favorite color

[ravelry sea otter pattern by rachel borello carroll](#) - Sep 15 2023

web may 31 2023 this pattern is available for 3 50 usd buy it now sea otter is the fourth pattern in the summer of sea creatures 2020 this year we are highlighting endangered species please join us in knitting and raising awareness about these animals

**are you tired and wired your proven 30 day program for** - Jun 23 2022

web aug 25 2021 see our 2023 adjusted rating after removing 19 of the 57 amazon reviews deemed unnatural for are you tired and wired your proven 30 day program for o

[are you tired and wired your proven 30 day program for](#) - Aug 26 2022

web your proven 30 day program for overcoming adrenal fatigue and feeling fantastic paperback ebook please refer to the web link below and download the document or have accessibility to other information that are highly relevant to are you tired and wired

are you tired and wired your proven 30 day progra 2022 - Feb 17 2022

web are you tired and wired your proven 30 day progra adrenal fatigue overcome adrenal fatigue syndrome with the adrenal reset diet how to reduce stress anxiety and boost energy levels and overcome adrenal fatigue syndrome

best pdf are you tired and wired your proven 30 day - Sep 26 2022

web your proven 30 day program for overcoming adrenal fatigue and feeling fantastic are you tired and wired your proven 30 day program for overcoming adrenal fatigue and feeling fantastic full book en

*are you tired and wired your proven 30 day progra pdf* - Apr 21 2022

web are you tired and wired your proven 30 day progra adrenal fatigue sleep smarter sleepless in america weight loss for people who feel too much cooking for hormone balance are you tired and wired the fatigue prescription wired for story is it me or my hormones lost in a good game sorry please thank you

**are you tired and wired your proven 30 day programme for** - Oct 08 2023

web are you tired and wired your proven 30 day programme for overcoming adrenal fatigue and feeling fantastic again your proven 30 day program for overcoming adrenal fatigue and feeling fantastic pick marcelle amazon com tr kitap

**are you tired and wired your proven 30 day programme for** - Jul 05 2023

web buy are you tired and wired your proven 30 day programme for overcoming adrenal fatigue and feeling fantastic again your proven 30 day program for overcoming adrenal fatigue and feeling fantastic by pick marcelle isbn 9781848504523 from amazon s book store everyday low prices and free delivery on eligible orders

**are you tired and wired your proven 30 day program for** - Jan 31 2023

web are you tired and wired your proven 30 day program for overcoming adrenal fatigue and feeling fantastic pick marcelle amazon com au books

**are you tired and wired your proven 30 day program for** - Mar 01 2023

web every morning hundreds of thousands of women wake up to find themselves exhausted overwhelmed and overstressed groggily turning off the alarm they reach for coffee soda or some other promise

**are you tired and wired your proven 30 day program for** - Jun 04 2023

web discover the hidden epidemic of adrenal dysfunction that is the root cause of major health problem find out why the modern world causes our adrenal glands to become overloaded and the simple plan that breaks free from this dangerous pattern enjoy easy diet and lifestyle changes in a clear easy to follow formula that will see you regain

tureng are you tired türkçe İngilizce sözlük - May 23 2022

web you are very busy and tired these days expr bu günlerde çok meşgul ve yorgunsun 2 konuşma why are you so tired expr neden bu kadar yorgunsun 3 konuşma why are you tired expr neden yorgunsun 4 konuşma are you tired expr yoruldu mu 5

---

konuşma are you tired expr yorgun musun

are you tired and wired your proven 30 day program for - May 03 2023

web overview there is an epidemic of fatigue running rampant in our society every morning hundreds of thousands of women wake up to find themselves exhausted overwhelmed and overstressed groggily turning off the alarm they reach for coffee soda or some other promise of energy

**are you tired and wired your proven 30 day progra** - Mar 21 2022

web feb 27 2023 you tired and wired your proven 30 day progra as well as it is not directly done you could agree to even more approaching this life a propos the world we offer you this proper as with ease as simple pretentiousness to get those all we meet the expense of are you tired and wired your proven 30 day progra

**are you tired and wired your proven 30 day program for** - Sep 07 2023

web are you tired and wired your proven 30 day program for overcoming adrenal fatigue and feeling fantastic again by marcelle pick

are you tired and wired your proven 30 day program for - Jul 25 2022

web mar 11 2011 listen free to are you tired and wired your proven 30 day program for overcoming adrenal fatigue and feeling fantastic again audiobook by marcelle pick with a 30 day free trial stream and download audiobooks to your computer tablet and ios and android devices

**pdf are you tired and wired your proven 30 day program** - Nov 28 2022

web no category uploaded by pom666 pdf are you tired and wired your proven 30 day program for overcoming adrenal fatigue and feeling fantastic

*are you tired and wired your proven 30 day program for* - Aug 06 2023

web your proven 30 day program for overcoming adrenal fatigue and feeling fantastic ebook written by marcelle pick read this book using google play books app on your pc android ios devices download for offline reading highlight bookmark or take notes while you read are you tired and wired

**are you tired and wired your proven 30 day program for** - Apr 02 2023

web mar 15 2012 mainstream i e pharmaceutical doctors don t have a clue how to treat your problem they will tell you that you are depressed and try to get you addicted to their anti depressants you are not tired because you are depressed although you are probably getting depressed because you are so darn tired all the time

**are you tired and wired your proven 30 day program for** - Oct 28 2022

web every morning hundreds of thousands of women wake up to find themselves exhausted overwhelmed and overstressed groggily turning off the alarm they reach for coffee soda or some other promise of energy they suffer through the day

irritable on edge forgetful depressed and craving sweets and then at night they have trouble sleeping

are you tired and wired your simple 30 day program fo - Dec 30 2022

web 199 ratings 28 reviews there is an epidemic of fatigue running rampant in our society every morning hundreds of thousands of women wake up to find themselves exhausted overwhelmed and overstressed groggily turning off the alarm they reach for coffee soda or some other promise of energy