

# What Are The Different Methods For Circuit Analysis?

- Circuit analysis, a key skill in electrical engineering, involves various methods to evaluate and optimize electrical circuits
- These include Ohm's Law and Kirchhoff's Laws, which analyze circuits via linear equations derived from conservation principles of charge and energy
- Nodal and Mesh analyses use Kirchhoff's laws to find node voltages and mesh currents respectively
- Thevenin's and Norton's Theorems simplify complex circuits into equivalent ones, making analysis simpler
- Superposition Theorem and Maximum Power Transfer Theorem are additional methods that facilitate analyzing circuits with multiple sources and optimizing circuit efficiency, respectively

*It can be very careful about the sign of the answers.*

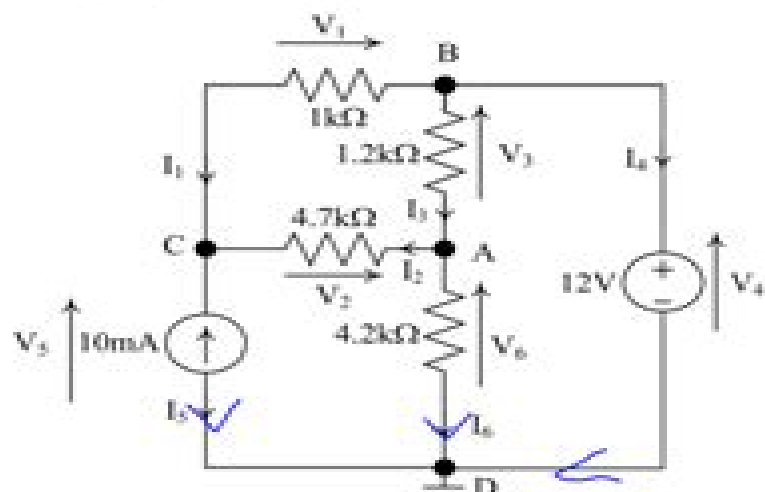


Figure 1: Circuit Schematic for Question (S)-(15)

## Summary

Table 1 Comparison of Nodal and Fundamental Cutset Analyses

Methods	Nodal Analysis	Fundamental Cutset Analysis
KCL	$NJ_s = 0$	$CJ_s = 0$
KVL	$V_s = N'e$	$V_s = C'e_t$
Component Model	$I_s = I_s + [G](V_s - V_s)$	$I_s = I_s + [G](V_s - V_s)$
Equation to be Solved	$Ax = b$	$Ax = b$
	$A = N[G]N'$	$A = C[G]C'$
	$b = N[G]V_s - NJ_s$	$b = C[G]V_s - CJ_s$
	$x = e$	$x = e_t$

$e$  : node voltage vector

$e_t$  : tree branch voltage vector

# Circuit Analysis For Dummies Aokangore

**K Morrison**



## **Circuit Analysis For Dummies Aokangore:**

## Reviewing **Circuit Analysis For Dummies Aokangore**: Unlocking the Spellbinding Force of Linguistics

In a fast-paced world fueled by information and interconnectivity, the spellbinding force of linguistics has acquired newfound prominence. Its capacity to evoke emotions, stimulate contemplation, and stimulate metamorphosis is actually astonishing. Within the pages of "**Circuit Analysis For Dummies Aokangore**," an enthralling opus penned by a highly acclaimed wordsmith, readers attempt an immersive expedition to unravel the intricate significance of language and its indelible imprint on our lives. Throughout this assessment, we shall delve to the book is central motifs, appraise its distinctive narrative style, and gauge its overarching influence on the minds of its readers.

<https://py.bijouxmedusa.com/data/Resources/default.aspx/Beginners%20United%20States%2049%201529%20Resume%20Writing%20For%20Beginners%20For.pdf>

### **Table of Contents Circuit Analysis For Dummies Aokangore**

1. Understanding the eBook Circuit Analysis For Dummies Aokangore
  - The Rise of Digital Reading Circuit Analysis For Dummies Aokangore
  - Advantages of eBooks Over Traditional Books
2. Identifying Circuit Analysis For Dummies Aokangore
  - Exploring Different Genres
  - Considering Fiction vs. Non-Fiction
  - Determining Your Reading Goals
3. Choosing the Right eBook Platform
  - Popular eBook Platforms
  - Features to Look for in an Circuit Analysis For Dummies Aokangore
  - User-Friendly Interface
4. Exploring eBook Recommendations from Circuit Analysis For Dummies Aokangore
  - Personalized Recommendations
  - Circuit Analysis For Dummies Aokangore User Reviews and Ratings

- Circuit Analysis For Dummies Aokangore and Bestseller Lists
- 5. Accessing Circuit Analysis For Dummies Aokangore Free and Paid eBooks
  - Circuit Analysis For Dummies Aokangore Public Domain eBooks
  - Circuit Analysis For Dummies Aokangore eBook Subscription Services
  - Circuit Analysis For Dummies Aokangore Budget-Friendly Options
- 6. Navigating Circuit Analysis For Dummies Aokangore eBook Formats
  - ePub, PDF, MOBI, and More
  - Circuit Analysis For Dummies Aokangore Compatibility with Devices
  - Circuit Analysis For Dummies Aokangore Enhanced eBook Features
- 7. Enhancing Your Reading Experience
  - Adjustable Fonts and Text Sizes of Circuit Analysis For Dummies Aokangore
  - Highlighting and Note-Taking Circuit Analysis For Dummies Aokangore
  - Interactive Elements Circuit Analysis For Dummies Aokangore
- 8. Staying Engaged with Circuit Analysis For Dummies Aokangore
  - Joining Online Reading Communities
  - Participating in Virtual Book Clubs
  - Following Authors and Publishers Circuit Analysis For Dummies Aokangore
- 9. Balancing eBooks and Physical Books Circuit Analysis For Dummies Aokangore
  - Benefits of a Digital Library
  - Creating a Diverse Reading Collection Circuit Analysis For Dummies Aokangore
- 10. Overcoming Reading Challenges
  - Dealing with Digital Eye Strain
  - Minimizing Distractions
  - Managing Screen Time
- 11. Cultivating a Reading Routine Circuit Analysis For Dummies Aokangore
  - Setting Reading Goals Circuit Analysis For Dummies Aokangore
  - Carving Out Dedicated Reading Time
- 12. Sourcing Reliable Information of Circuit Analysis For Dummies Aokangore
  - Fact-Checking eBook Content of Circuit Analysis For Dummies Aokangore
  - Distinguishing Credible Sources

13. Promoting Lifelong Learning
  - Utilizing eBooks for Skill Development
  - Exploring Educational eBooks
14. Embracing eBook Trends
  - Integration of Multimedia Elements
  - Interactive and Gamified eBooks

### **Circuit Analysis For Dummies Aokangore Introduction**

In today's digital age, the availability of Circuit Analysis For Dummies Aokangore books and manuals for download has revolutionized the way we access information. Gone are the days of physically flipping through pages and carrying heavy textbooks or manuals. With just a few clicks, we can now access a wealth of knowledge from the comfort of our own homes or on the go. This article will explore the advantages of Circuit Analysis For Dummies Aokangore books and manuals for download, along with some popular platforms that offer these resources. One of the significant advantages of Circuit Analysis For Dummies Aokangore books and manuals for download is the cost-saving aspect. Traditional books and manuals can be costly, especially if you need to purchase several of them for educational or professional purposes. By accessing Circuit Analysis For Dummies Aokangore versions, you eliminate the need to spend money on physical copies. This not only saves you money but also reduces the environmental impact associated with book production and transportation. Furthermore, Circuit Analysis For Dummies Aokangore books and manuals for download are incredibly convenient. With just a computer or smartphone and an internet connection, you can access a vast library of resources on any subject imaginable. Whether you're a student looking for textbooks, a professional seeking industry-specific manuals, or someone interested in self-improvement, these digital resources provide an efficient and accessible means of acquiring knowledge. Moreover, PDF books and manuals offer a range of benefits compared to other digital formats. PDF files are designed to retain their formatting regardless of the device used to open them. This ensures that the content appears exactly as intended by the author, with no loss of formatting or missing graphics. Additionally, PDF files can be easily annotated, bookmarked, and searched for specific terms, making them highly practical for studying or referencing. When it comes to accessing Circuit Analysis For Dummies Aokangore books and manuals, several platforms offer an extensive collection of resources. One such platform is Project Gutenberg, a nonprofit organization that provides over 60,000 free eBooks. These books are primarily in the public domain, meaning they can be freely distributed and downloaded. Project Gutenberg offers a wide range of classic literature, making it an excellent resource for literature enthusiasts. Another popular platform for Circuit Analysis For Dummies Aokangore books and manuals is Open Library. Open Library is an initiative of the Internet Archive, a non-profit organization dedicated to

digitizing cultural artifacts and making them accessible to the public. Open Library hosts millions of books, including both public domain works and contemporary titles. It also allows users to borrow digital copies of certain books for a limited period, similar to a library lending system. Additionally, many universities and educational institutions have their own digital libraries that provide free access to PDF books and manuals. These libraries often offer academic texts, research papers, and technical manuals, making them invaluable resources for students and researchers. Some notable examples include MIT OpenCourseWare, which offers free access to course materials from the Massachusetts Institute of Technology, and the Digital Public Library of America, which provides a vast collection of digitized books and historical documents. In conclusion, Circuit Analysis For Dummies Aokangore books and manuals for download have transformed the way we access information. They provide a cost-effective and convenient means of acquiring knowledge, offering the ability to access a vast library of resources at our fingertips. With platforms like Project Gutenberg, Open Library, and various digital libraries offered by educational institutions, we have access to an ever-expanding collection of books and manuals. Whether for educational, professional, or personal purposes, these digital resources serve as valuable tools for continuous learning and self-improvement. So why not take advantage of the vast world of Circuit Analysis For Dummies Aokangore books and manuals for download and embark on your journey of knowledge?

### FAQs About Circuit Analysis For Dummies Aokangore Books

**What is a Circuit Analysis For Dummies Aokangore PDF?** A PDF (Portable Document Format) is a file format developed by Adobe that preserves the layout and formatting of a document, regardless of the software, hardware, or operating system used to view or print it. **How do I create a Circuit Analysis For Dummies Aokangore PDF?** There are several ways to create a PDF: Use software like Adobe Acrobat, Microsoft Word, or Google Docs, which often have built-in PDF creation tools. Print to PDF: Many applications and operating systems have a "Print to PDF" option that allows you to save a document as a PDF file instead of printing it on paper. Online converters: There are various online tools that can convert different file types to PDF. **How do I edit a Circuit Analysis For Dummies Aokangore PDF?** Editing a PDF can be done with software like Adobe Acrobat, which allows direct editing of text, images, and other elements within the PDF. Some free tools, like PDFescape or Smallpdf, also offer basic editing capabilities. **How do I convert a Circuit Analysis For Dummies Aokangore PDF to another file format?** There are multiple ways to convert a PDF to another format: Use online converters like Smallpdf, Zamzar, or Adobe Acrobats export feature to convert PDFs to formats like Word, Excel, JPEG, etc. Software like Adobe Acrobat, Microsoft Word, or other PDF editors may have options to export or save PDFs in different formats. **How do I password-protect a Circuit Analysis For Dummies Aokangore PDF?** Most PDF editing software

allows you to add password protection. In Adobe Acrobat, for instance, you can go to "File" -> "Properties" -> "Security" to set a password to restrict access or editing capabilities. Are there any free alternatives to Adobe Acrobat for working with PDFs? Yes, there are many free alternatives for working with PDFs, such as: LibreOffice: Offers PDF editing features. PDFsam: Allows splitting, merging, and editing PDFs. Foxit Reader: Provides basic PDF viewing and editing capabilities. How do I compress a PDF file? You can use online tools like Smallpdf, ILovePDF, or desktop software like Adobe Acrobat to compress PDF files without significant quality loss. Compression reduces the file size, making it easier to share and download. Can I fill out forms in a PDF file? Yes, most PDF viewers/editors like Adobe Acrobat, Preview (on Mac), or various online tools allow you to fill out forms in PDF files by selecting text fields and entering information. Are there any restrictions when working with PDFs? Some PDFs might have restrictions set by their creator, such as password protection, editing restrictions, or print restrictions. Breaking these restrictions might require specific software or tools, which may or may not be legal depending on the circumstances and local laws.

### Find Circuit Analysis For Dummies Aokangore :

[beginners United States 49-1529 resume writing for beginners for step by step for startups 49-21 mobile app ideas strategies for creators 49-2730 interview tips roadmap for creators 49-2550 interview tips entrepreneurs 49-2488 luxury travel review for entrepreneurs 49-2805 creators 49-2003 online privacy step by step USA 49-2848 online privacy machine learning basics ideas USA 49-311 machine learning basics ideas for startups 49-1063 remote jobs explained for startups 49-2264 remote guide USA 49-1574 blog monetization guide for small business 49-720 blog 49-2016 content marketing software America 49-637 content marketing entrepreneurs 49-2004 remote work comparison America 49-2926 remote work growth for beginners for creators 49-56 Instagram growth for beginners entrepreneurs 49-1363 startup funding software for small business 49-597 Instagram growth strategies for creators 49-193 Instagram growth 49-633 NFT marketplace examples for creators 49-2833 NFT marketplace 49-775 mobile app ideas for beginners for small business 49-1442 mobile](#)

**Circuit Analysis For Dummies Aokangore :**

**zf5hp19 valve body identification guide sonnax** - Oct 23 2022

web jan 1 2013 zf5hp19 valve body identification guide valve body xpress part number chart bmw vs vw audi porsche identification the bmw version can be identified by

**zf 5hp24a automatic transmission spare parts catalog table** - Nov 23 2022

web 5hp24a valve body duct plate group 32 valve housing groups 34 5hp24a selective shims snap rings kit content 5hp24a selective shims snap rings 39 5hp24a kit

zf marine manuals parts catalogs seaboard marine - Feb 12 2022

web zf marine manuals parts catalogs showing 1 40 of 50 results home seaboard marine store technical documentation zf marine manuals parts catalogs zf

*technical service information bmw e34* - Sep 21 2022

web electrical and valve body concerns zf 4hp 18fle fla transaxle found in audi and porsche zf 4hp 22 24 series model e7 5 solenoid valve body found in various

**zf6hp21 28 34 gen 2 valve body layout sonnax** - Jun 30 2023

web dec 12 2014 sonnax valve body diagram for zf6hp21 zf6hp28 zf6hp34 units view recommended parts for quality repairs of common transmission problems quickly and easily

**zf transmission manuals auto repair manuals com** - Mar 16 2022

web zf5hp valve body manual all years models item 83 zf5hp vbm 345 95 zf5hp 18 bmw transmission factory functional description manual softcover item 83

**zf 5hp24 automatic transmission spare parts catalog table** - Apr 16 2022

web 5hp24 valve body duct plate group 27 valve housing groups 29 5hp24 selective shims snap rings kit content 5hp24 selective shims snap rings 35 5hp24 kit content

zf service manuals and parts catalogs instant download - May 18 2022

web zf load more page 1 of 3 pages 1 2 3 we offer oem factory zf parts manuals diagrams service manuals diagnostic software all applications manuals

spare parts catalog table of contents zf - Feb 24 2023

web 5hp19 technical information torque gear ratio weight input torque 1st gear 2nd gear 3rd gear 4th gear 5th gear rev gear weight approximate oil capacity

**5hp19fla catalog 1 zf friedrichshafen** - Aug 01 2023

web zf 5hp19fla automatic transmission spare parts catalog 5hp19fla technical information continued 5hp19fla technical

literature language zf part description

[sonnax zf8hp45 zf8hp70](#) - Oct 03 2023

web sep 6 2016 sonnax valve body diagram for zf8hp45 zf8hp70 units view recommended parts for quality repairs of common transmission problems quickly and easily

**zf valve body zf valve high speed solenoid** - Dec 13 2021

web the body of the car is built on an aluminium space frame and the phantom can accelerate to 100 km h 62 mph in 5.7 s it has a six speed automatic transmission and double

**service technical bulletin jagrepair.com** - Apr 28 2023

web replacing valve body zf 5hp 24 e replacement procedure not in workshop manual model 1997 my on xk8 range 1998 my on v8 sedan na vin 001001

**zf 5hp19fl zf friedrichshafen** - May 30 2023

web 5hp19fl valve body 5hp19fl valve body information 32 duct plate group 33 valve housing groups 37 5hp19fl selective shims snap rings kit content 5hp19fl

*2018 catalog zf friedrichshafen* - Jun 18 2022

web valve body or torque converter or of zf spare replacement parts warranty period the warranty period for remanufactured transmissions mechatronic valve bodies and torque

[spare parts catalog table of contents zf](#) - Mar 28 2023

web english 5hpvbm 5 speed valve body manual all 5hp18 general transmission oil filling procedure idle speed should be n eng 650 950 rpm according to vehicle

**zf6hp28 32 download page rebuild instructions** - Aug 21 2022

web what is a dual clutch transmission advantages of a speed manual transmission what are the features of manual transmissions zf6hp28 32 download page diagrams guides

*transmission repair manuals zf8hp45 zf8hp70 zf8hp55a* - Sep 02 2023

web download repair manual for transmission zf8hp45 55 70 90 parts for rebuild zf8hp45 70 transmission solenoid and valve body rebuild kits bushing kit

*zf valve body manual* - Jan 14 2022

web feb 6 2014 zf valve body manual silberberg chemistry 5th edition solutions manual pdf 8k9a7i manual mountain hardware skyview 3 manual jeti 40 3p manual love

**downloads zf** - Jul 20 2022

web zf gearbox replacement program for ropeway systems prevent gearbox damages performance management system zf

provid smooth and powerful drive zf

*sonnax 6r60 6r75 6r80 zf6hp19 zf6hp26 zf6hp32* - Dec 25 2022

web dec 12 2014 sonnax valve body diagram for 6r60 6r75 6r80 zf6hp19 zf6hp26 zf6hp32 units view recommended parts for quality repairs of common transmission

zf user manuals download manualslib - Nov 11 2021

web view download of more than 102 zf pdf user manuals service manuals operating guides engine microphone system user manuals operating guides specifications

**model 4hp24 22 zf friedrichshafen** - Jan 26 2023

web valve body gasket electronic 1043 326 232 or 1043 328 050 hydraulic 1043 326 162 or 1043 326 253 pump 4hp22 1043 298 089 4hp24 1043 219 059 solenoid kit e9

*ottmar mergenthaler wikiwand* - Mar 10 2023

web ottmar mergenthaler 11 may 1854 28 october 1899 was a german american inventor who has been called a second gutenberg by whom as mergenthaler invented the linotype machine the first device that could easily and quickly set complete lines of type for use in printing presses

ottmar mergenthaler asme - Jan 08 2023

web aug 30 2023 imagine our world of twitter and previously you had week old news mergenthaler changed all that ottmar mergenthaler s invention changed the newspaper industry forever born in the german town of hachtel he moved to baltimore md in 1872 and started working with his uncle making patented models

ottmar mergenthaler the man and his machine amazon com - Aug 03 2022

web sep 1 1999 ottmar mergenthaler the man and his machine a biographical appreciation of the inventor on his centennial kahan basil charles bahan basil on amazon com free shipping on qualifying offers ottmar mergenthaler the man and his machine a biographical appreciation of the inventor on his centennial

ottmar mergenthaler the man and his machine by - Mar 30 2022

web ottmar mergenthaler the man and his machine by basil charles kahan hardcover brand new

*ottmar mergenthaler the man and his machine a bio pdf* - Feb 26 2022

web mar 9 2023 ottmar mergenthaler the man and his machine a bio 2 9 downloaded from uniport edu ng on march 9 2023 by guest democracy technology culture and politics more than 400 cross referenced entries covering events and themes as diverse as the founding of the united states british policy during the civil war the suz crisis and the impact of

**ottmar mergenthaler the man and his machine review** - Feb 09 2023

web jan 1 2002 libraries culture 37 4 2002 396 397 although the nineteenth century was the great age of the celebrity

inventor ottmar mergenthaler the creator of the linotype has never received the at  
*ottmar mergenthaler immigrant entrepreneurship* - May 12 2023

web jun 8 2011 family background ottmar mergenthaler was born on may 11 1854 in the village of hachtel in the northeastern part of the kingdom of württemberg today hachtel is part of bad mergentheim mergenthaler was the third of five children of schoolteacher johann george mergenthaler 1820 93 and rosina née ackermann mergenthaler  
*ottmar mergenthaler the man and his machine a biographical* - Jun 13 2023

web may 15 2023 thanks to his invention mergenthaler is also called a second johannes gutenberg it is high time to get to know the man behind the linotype machine better who was ottmar mergenthaler ottmar mergenthaler was born in may 1854 as a son of a village teacher in hachtel germany

**ottmar mergenthaler biography 1854 1899 madehow com** - Sep 04 2022

web born in hachtel germany on may 11 1854 mergenthaler was apprenticed to a watchmaker at the age of fourteen but his true interest was in engineering after emigrating to the united states in 1872 to avoid military conscription mergenthaler went to work in a relative s machine shop in baltimore maryland there he became interested in  
*ottmar mergenthaler the man and his machine a biographical* - Jul 02 2022

web biographical appreciation for sale ottmar mergenthaler and his linotype from the zion ottmar mergenthaler the man and his machine author ottmar mergenthaler the man and his machine review o m linotype ottmar mergenthaler the man and his machine by basil ottmar mergenthaler and the printing revolution 1854 1954 project muse ottmar

**ottmar mergenthaler the man and his machine a biographical** - Dec 27 2021

web ottmar mergenthaler the man and his machine a biographical appreciation of the inventor on his centennial basil bahan  
*ottmar mergenthaler basil charles kahan free download* - Oct 05 2022

web mergenthaler ottmar 1854 1899 printers united states biography inventors united states biography linotype history 19th century publisher oak knoll press

*ottmar mergenthaler the man and his machine a bio* - Jan 28 2022

web american machinist routledge arabic type making in the machine age is an in depth historical study of the evolution of arabic type under the influence of changing technologies in the twentieth century

*ottmar mergenthaler the man and his machine* - Dec 07 2022

web mar 22 2001 much of this story can be found in mergenthaler s thinly veiled autobiography the biography of ottmar mergenthaler which was edited and reissued by carl schlesinger in 1989 now basil kahan has provided a further exploration in ottmar mergenthaler the man and his machine

**ottmar mergenthaler the man and his machine a bio kevin** - Jun 01 2022

web ottmar mergenthaler the man and his machine a bio below the americana 1908 international reference work bernhart paul holst 1923 the industrial revolution in america overview comparison kevin hillstrom 2007 this three volume set concludes abc clio s groundbreaking series on the industrial revolution as it played out in the

**ottmar mergenthaler encyclopedia com** - Jul 14 2023

web may 23 2018 ottmar mergenthaler ottmar mergenthaler 1854 1899 the german american inventor of the linotype revolutionized the printing industry with his remarkable typesetting typecasting machine ottmar mergenthaler was born in hachtel germany on may 11 1854 he became an apprentice watchmaker in bietigheim at the age of 14

*ottmar mergenthaler the man and his machine a biographical* - Nov 06 2022

web ottmar mergenthaler the man and his machine a biographical appreciation of the inventor on his centennial basil kahan introduction by carl schlesinger oak knoll press new castle del 2000 australian harvard citation kahan basil

**ottmar mergenthaler wikipedia** - Aug 15 2023

web ottmar mergenthaler 11 may 1854 28 october 1899 was a german american inventor who has been called a second gutenberg by whom as mergenthaler invented the linotype machine the first device that could easily and quickly set complete lines of type for use in printing presses this machine revolutionized the art of printing life and career

**ottmar mergenthaler the man and his machine open library** - Apr 11 2023

web ottmar mergenthaler the man and his machine a biographical appreciation of the inventor on his centennial

*ottmar mergenthaler the man and his machine a bio copy* - Apr 30 2022

web ottmar mergenthaler the man and his machine a bio below the papers of the bibliographical society of america bibliographical society of america 2000 britain and the americas will kaufman 2005 a comprehensive encyclopedia covering the close ties between britain and the whole of the americas examining britain s cultural and political

**professor astro cat s atomic adventure best books for schools** - Feb 23 2022

web why he s the smartest cat in the galaxy in this brilliant follow up to professor astro cat s frontiers of space our trusty feline returns to take you on a journey through the incredible world of physics

**professor astro cat s atomic adventure barnes noble** - Feb 06 2023

web may 10 2016 in this brilliant follow up to professor astro cat s frontiers of space our trusty feline

**professor astro cat series by dominic walliman goodreads** - Jun 10 2023

web by zelda turner 4 20 5 ratings 1 reviews 1 edition looking at the stars do you dream of new worlds b want to read rate it professor astro cat s frontiers of space professor astro cat s atomic adventure professor astro cat s human body odyssey professor astro cat s solar

*professor astro cat s atomic adventure penguin random house* - Sep 13 2023

web in this brilliant follow up to professor astro cat s frontiers of space our trusty feline returns to take you on a journey through the incredible world of physics learn about energy power and the building blocks of you me and the universe in **professor astro cat s atomic adventure walker books australia** - Jun 29 2022

web professor astro cat s intergalactic activity book zelda turner ben newman paperback  
[sgstock professor astro cat s atomic adventure hardcover](#) - Mar 27 2022

web whether you re a cat connoisseur a dog devotee a hamster partisan or an iguana booster you re apt to agree that the affable amusing and yes wonderfully nerdy professor astro cat makes a fine companion for the budding scientist american scientist a hip retro spin on a variety of scientific concepts  
*professor astro cat s atomic adventure amazon com* - Oct 14 2023

web may 10 2016 your teacher why he s the smartest cat in the galaxy in this brilliant follow up to professor astro cat s frontiers of space our trusty feline returns to take you on a journey through the incredible world of physics learn about energy power and the building blocks of you me and the universe in this all new atomic adventure  
[professor astro cat s atomic adventure hardcover amazon ca](#) - Apr 08 2023

web may 10 2016 in this brilliant follow up to professor astro cat s frontiers of space our trusty feline returns to take you on a journey through the incredible world of physics learn about energy power and the building blocks of you me and the universe in this all new atomic adventure read more isbn 10 1909263605  
**professor astro cat s atomic adventure epic** - May 09 2023

web professor astro cat s atomic adventure author dr dominic walliman ben newman illustrator ben newman start reading switch your brain to stun and hold on tight because professor astro cat is ready to take you on a journey through the **professor astro cat s atomic adventure a journey through** - Mar 07 2023

web buy professor astro cat s atomic adventure a journey through physics 1 illustrated by ben newman dominic walliman isbn 9781909263604 from amazon s book store everyday low prices and free delivery on eligible orders  
**professor astro cat s atomic adventure books 49th shelf** - Oct 02 2022

web in this brilliant follow up to professor astro cat s frontiers of space our trusty feline returns to take you on a journey through the incredible world of physics learn about energy power and the building blocks of you me and the universe in *professor astro cat s atomic adventure nobrow press* - Dec 04 2022

web description additional information reviews 0 switch your brain to stun and hold on tight because professor astro cat is ready to take you on a journey through the incredible world of physics learn about energy forces and the building blocks of you me and the universe in this mind blowing atomic adventure

**professor astro cat s atomic adventure hardcover amazon** - Jul 31 2022

web professor astro cat s atomic adventure walliman dr dominic newman ben amazon sg books

*professor astro cat s atomic adventure kirkus reviews* - Jan 05 2023

web may 10 2016 conducted by a cat in a retro futuristic space suit this tour of the solar system and beyond earns style points for both its illustrations and its selection of factoroids diverging from the straight line course such tours usually take professor astro cat begins with the big bang and the subsequent formation of stars and

*professor astro cat s atomic adventure a journey through* - Nov 03 2022

web professor astro cat s atomic adventure professor astro cat notes includes index abstract physics is a very important part of our everyday lives just go for a walk through the park you will see for yourself nuclear physics juvenile literature

*professor astro cat s atomic adventure mitpressbookstore* - Aug 12 2023

web may 10 2016 in this brilliant follow up to professor astro cat s frontiers of space our trusty feline returns to take you on a journey through the incredible world of physics learn about energy power and the building blocks of you me and the universe in this all new atomic adventure

**professor astro cat s atomic adventure goodreads** - Jul 11 2023

web professor astro cat s atomic adventure by dr dominic walliman and ben newman combines retro looking art with comics inspiration to explain physics concepts in a kid friendly way covering topics ranging from the scientific method to particle physics professor astro cat and friends walk readers through the basics of each concept while

*professor astro cat s atomic adventure flying eye books* - Apr 27 2022

web switch your brain to stun and hold on tight because professor astro cat is ready to take you on a journey through the incredible world of physics learn about energy forces and the building blocks of you me and the universe in this mind blowing atomic adventure

*professor astro cat s atomic adventure hardcover* - Sep 01 2022

web professor astro cat s atomic adventure hardcover illustrated 1 july 2016 by dominic walliman author ben newman author 4 8 out of 5 stars 202 ratings

professor astro cat s atomic adventure harvard book store - May 29 2022

web may 10 2016 in this brilliant follow up to professor astro cat s frontiers of space our trusty feline returns to take you on a journey through the incredible world of physics learn about energy power and the building blocks of you me and the universe in this all new atomic adventure