

CITROEN

www.workshopmanuals.org

WORKSHOP MANUAL

As used by Citroen and other brands

Nemo

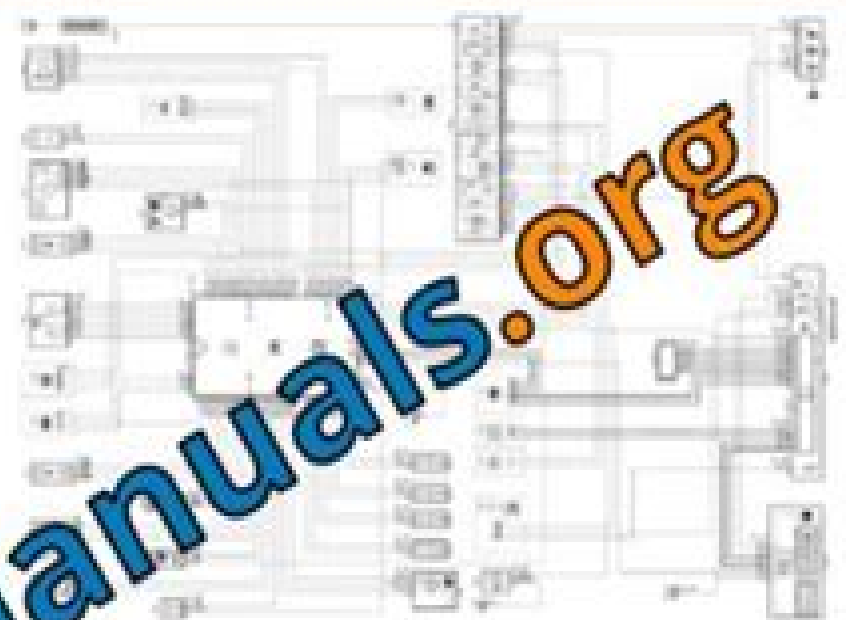
Workshop Repair Manual
2008-2017



Covers all Models and Years
All Petrol Engines, Diesel Engines,
Transmission, Brakes, Wiring etc.

Citroen Nemo 2008-2017 Workshop Service Repair Manual

Workshop Manual & Wiring Diagrams



Take note:

- The modelled pulley (1)
- The spacer (2) (according to specifications)

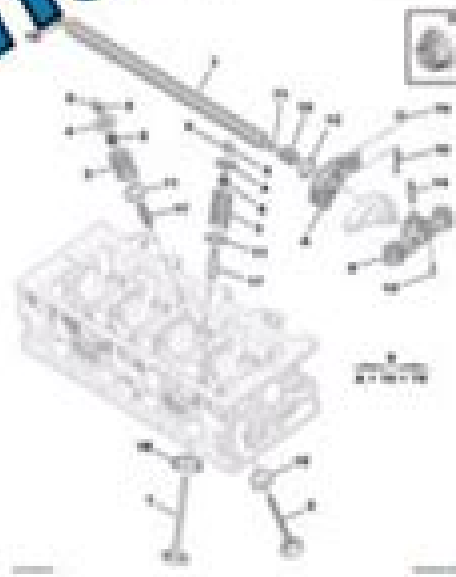


From: 1/08/08

Illustration for modelled pulley (1) and spacer (2) (132-AA) (2)116-1

Take note:

- The hub (1)
- The modelled pulley (2)



Part No.	Description	QTY
132-AA	Modelled pulley	1
2116-1	Spacer	1
132-AB	Modelled pulley	1
132-AC	Modelled pulley	1
132-AD	Modelled pulley	1
132-AE	Modelled pulley	1
132-AF	Modelled pulley	1
132-AG	Modelled pulley	1
132-AH	Modelled pulley	1
132-AI	Modelled pulley	1
132-AJ	Modelled pulley	1
132-AK	Modelled pulley	1
132-AL	Modelled pulley	1
132-AM	Modelled pulley	1
132-AN	Modelled pulley	1
132-AO	Modelled pulley	1
132-AP	Modelled pulley	1
132-AQ	Modelled pulley	1
132-AR	Modelled pulley	1
132-AS	Modelled pulley	1
132-AT	Modelled pulley	1
132-AU	Modelled pulley	1
132-AV	Modelled pulley	1
132-AW	Modelled pulley	1
132-AX	Modelled pulley	1
132-AY	Modelled pulley	1
132-AZ	Modelled pulley	1

Workshop Manual & Wiring Diagrams



Citroen Nemo Drivers Manual

Jiyuan Zhang



Citroen Nemo Drivers Manual:

Unveiling the Magic of Words: A Overview of "**Citroen Nemo Drivers Manual**"

In a world defined by information and interconnectivity, the enchanting power of words has acquired unparalleled significance. Their power to kindle emotions, provoke contemplation, and ignite transformative change is truly awe-inspiring. Enter the realm of "**Citroen Nemo Drivers Manual**," a mesmerizing literary masterpiece penned by a distinguished author, guiding readers on a profound journey to unravel the secrets and potential hidden within every word. In this critique, we shall delve in to the book is central themes, examine its distinctive writing style, and assess its profound impact on the souls of its readers.

https://py.bijouxmedusa.com/results/detail/default.aspx/The_Churn.pdf

Table of Contents Citroen Nemo Drivers Manual

1. Understanding the eBook Citroen Nemo Drivers Manual
 - The Rise of Digital Reading Citroen Nemo Drivers Manual
 - Advantages of eBooks Over Traditional Books
2. Identifying Citroen Nemo Drivers Manual
 - Exploring Different Genres
 - Considering Fiction vs. Non-Fiction
 - Determining Your Reading Goals
3. Choosing the Right eBook Platform
 - Popular eBook Platforms
 - Features to Look for in an Citroen Nemo Drivers Manual
 - User-Friendly Interface
4. Exploring eBook Recommendations from Citroen Nemo Drivers Manual
 - Personalized Recommendations
 - Citroen Nemo Drivers Manual User Reviews and Ratings
 - Citroen Nemo Drivers Manual and Bestseller Lists

5. Accessing Citroen Nemo Drivers Manual Free and Paid eBooks
 - Citroen Nemo Drivers Manual Public Domain eBooks
 - Citroen Nemo Drivers Manual eBook Subscription Services
 - Citroen Nemo Drivers Manual Budget-Friendly Options
6. Navigating Citroen Nemo Drivers Manual eBook Formats
 - ePub, PDF, MOBI, and More
 - Citroen Nemo Drivers Manual Compatibility with Devices
 - Citroen Nemo Drivers Manual Enhanced eBook Features
7. Enhancing Your Reading Experience
 - Adjustable Fonts and Text Sizes of Citroen Nemo Drivers Manual
 - Highlighting and Note-Taking Citroen Nemo Drivers Manual
 - Interactive Elements Citroen Nemo Drivers Manual
8. Staying Engaged with Citroen Nemo Drivers Manual
 - Joining Online Reading Communities
 - Participating in Virtual Book Clubs
 - Following Authors and Publishers Citroen Nemo Drivers Manual
9. Balancing eBooks and Physical Books Citroen Nemo Drivers Manual
 - Benefits of a Digital Library
 - Creating a Diverse Reading Collection Citroen Nemo Drivers Manual
10. Overcoming Reading Challenges
 - Dealing with Digital Eye Strain
 - Minimizing Distractions
 - Managing Screen Time
11. Cultivating a Reading Routine Citroen Nemo Drivers Manual
 - Setting Reading Goals Citroen Nemo Drivers Manual
 - Carving Out Dedicated Reading Time
12. Sourcing Reliable Information of Citroen Nemo Drivers Manual
 - Fact-Checking eBook Content of Citroen Nemo Drivers Manual
 - Distinguishing Credible Sources
13. Promoting Lifelong Learning

- Utilizing eBooks for Skill Development
 - Exploring Educational eBooks
14. Embracing eBook Trends
- Integration of Multimedia Elements
 - Interactive and Gamified eBooks

Citroen Nemo Drivers Manual Introduction

In this digital age, the convenience of accessing information at our fingertips has become a necessity. Whether its research papers, eBooks, or user manuals, PDF files have become the preferred format for sharing and reading documents. However, the cost associated with purchasing PDF files can sometimes be a barrier for many individuals and organizations. Thankfully, there are numerous websites and platforms that allow users to download free PDF files legally. In this article, we will explore some of the best platforms to download free PDFs. One of the most popular platforms to download free PDF files is Project Gutenberg. This online library offers over 60,000 free eBooks that are in the public domain. From classic literature to historical documents, Project Gutenberg provides a wide range of PDF files that can be downloaded and enjoyed on various devices. The website is user-friendly and allows users to search for specific titles or browse through different categories. Another reliable platform for downloading Citroen Nemo Drivers Manual free PDF files is Open Library. With its vast collection of over 1 million eBooks, Open Library has something for every reader. The website offers a seamless experience by providing options to borrow or download PDF files. Users simply need to create a free account to access this treasure trove of knowledge. Open Library also allows users to contribute by uploading and sharing their own PDF files, making it a collaborative platform for book enthusiasts. For those interested in academic resources, there are websites dedicated to providing free PDFs of research papers and scientific articles. One such website is Academia.edu, which allows researchers and scholars to share their work with a global audience. Users can download PDF files of research papers, theses, and dissertations covering a wide range of subjects. Academia.edu also provides a platform for discussions and networking within the academic community. When it comes to downloading Citroen Nemo Drivers Manual free PDF files of magazines, brochures, and catalogs, Issuu is a popular choice. This digital publishing platform hosts a vast collection of publications from around the world. Users can search for specific titles or explore various categories and genres. Issuu offers a seamless reading experience with its user-friendly interface and allows users to download PDF files for offline reading. Apart from dedicated platforms, search engines also play a crucial role in finding free PDF files. Google, for instance, has an advanced search feature that allows users to filter results by file type. By specifying the file type as "PDF," users can find websites that offer free PDF downloads on a specific topic. While downloading Citroen Nemo Drivers Manual free PDF files is convenient,

its important to note that copyright laws must be respected. Always ensure that the PDF files you download are legally available for free. Many authors and publishers voluntarily provide free PDF versions of their work, but its essential to be cautious and verify the authenticity of the source before downloading Citroen Nemo Drivers Manual. In conclusion, the internet offers numerous platforms and websites that allow users to download free PDF files legally. Whether its classic literature, research papers, or magazines, there is something for everyone. The platforms mentioned in this article, such as Project Gutenberg, Open Library, Academia.edu, and Issuu, provide access to a vast collection of PDF files. However, users should always be cautious and verify the legality of the source before downloading Citroen Nemo Drivers Manual any PDF files. With these platforms, the world of PDF downloads is just a click away.

FAQs About Citroen Nemo Drivers Manual Books

How do I know which eBook platform is the best for me? Finding the best eBook platform depends on your reading preferences and device compatibility. Research different platforms, read user reviews, and explore their features before making a choice. Are free eBooks of good quality? Yes, many reputable platforms offer high-quality free eBooks, including classics and public domain works. However, make sure to verify the source to ensure the eBook credibility. Can I read eBooks without an eReader? Absolutely! Most eBook platforms offer webbased readers or mobile apps that allow you to read eBooks on your computer, tablet, or smartphone. How do I avoid digital eye strain while reading eBooks? To prevent digital eye strain, take regular breaks, adjust the font size and background color, and ensure proper lighting while reading eBooks. What the advantage of interactive eBooks? Interactive eBooks incorporate multimedia elements, quizzes, and activities, enhancing the reader engagement and providing a more immersive learning experience. Citroen Nemo Drivers Manual is one of the best book in our library for free trial. We provide copy of Citroen Nemo Drivers Manual in digital format, so the resources that you find are reliable. There are also many Ebooks of related with Citroen Nemo Drivers Manual. Where to download Citroen Nemo Drivers Manual online for free? Are you looking for Citroen Nemo Drivers Manual PDF? This is definitely going to save you time and cash in something you should think about. If you trying to find then search around for online. Without a doubt there are numerous these available and many of them have the freedom. However without doubt you receive whatever you purchase. An alternate way to get ideas is always to check another Citroen Nemo Drivers Manual. This method for see exactly what may be included and adopt these ideas to your book. This site will almost certainly help you save time and effort, money and stress. If you are looking for free books then you really should consider finding to assist you try this. Several of Citroen Nemo Drivers Manual are for sale to free while some are payable. If you arent sure if the books you would like to download works with for usage along with your computer, it is possible to download free trials. The free guides

make it easy for someone to free access online library for download books to your device. You can get free download on free trial for lots of books categories. Our library is the biggest of these that have literally hundreds of thousands of different products categories represented. You will also see that there are specific sites catered to different product types or categories, brands or niches related with Citroen Nemo Drivers Manual. So depending on what exactly you are searching, you will be able to choose e books to suit your own need. Need to access completely for Campbell Biology Seventh Edition book? Access Ebook without any digging. And by having access to our ebook online or by storing it on your computer, you have convenient answers with Citroen Nemo Drivers Manual To get started finding Citroen Nemo Drivers Manual, you are right to find our website which has a comprehensive collection of books online. Our library is the biggest of these that have literally hundreds of thousands of different products represented. You will also see that there are specific sites catered to different categories or niches related with Citroen Nemo Drivers Manual So depending on what exactly you are searching, you will be able to choose ebook to suit your own need. Thank you for reading Citroen Nemo Drivers Manual. Maybe you have knowledge that, people have search numerous times for their favorite readings like this Citroen Nemo Drivers Manual, but end up in harmful downloads. Rather than reading a good book with a cup of coffee in the afternoon, instead they juggled with some harmful bugs inside their laptop. Citroen Nemo Drivers Manual is available in our book collection an online access to it is set as public so you can download it instantly. Our digital library spans in multiple locations, allowing you to get the most less latency time to download any of our books like this one. Merely said, Citroen Nemo Drivers Manual is universally compatible with any devices to read.

Find Citroen Nemo Drivers Manual :

[the churn](#)

[the meaning of tingo barnetore](#)

[the faith explained leo j trese](#)

[the japanese mind understanding contemporary culture roger j davies](#)

[the museum of heartbreak](#)

[the effect of xylitol chewing gum on mutans streptococci](#)

the essential marcus aurelius

[the mom test by rob tz 2 startup werkboek](#)

[the challenge to succeed by jim rohn](#)

[the emperors of chocolate inside the secret world of hershey and mars](#)

[the laws of wealth psychology and the secret to investing success](#)

[the imperial guide to feng shui chinese astrology the only authentic translation from the original chinese](#)
[the invention of hugo cabret novel studies](#)
[the great stagnation how america ate all low hanging fruit of modern history got sick and will eventually feel better tyler cowen](#)
[the heart of change](#)

Citroen Nemo Drivers Manual :

[bab 03 kerangka pembangunan sanitasi pdf free](#) - May 23 2022

web bab 03 kerangka pembangunan sanitasi tahapan kegiatan yang melibatkan berbagai unsur pemangku kepentingan guna pemanfaatan dan pengalokasian sumber daya yang ada visi merupakan arah pembangunan atau kondisi masa depan daerah yang ingin dicapai dalam kurun waktu 5 lima tahun mendatang clarity of direction

[bab 2 kerangka pengembangan sanitasi slideshare](#) - Jun 04 2023

web civil engineering at konsultan apr 8 2014 0 likes 429 views bab 2 kerangka pengembangan sanitasi

[bab ii kerangka pengembangan sanitasi pdf free](#) - May 03 2023

web bab ii kerangka pengembangan sanitasi 2 1 visi misi sanitasi visi dan misi merupakan sumber inspiratif bagi pengembangan kegiatan sanitasi kabupaten yang akan memberikan arahan tentang pembangunan sanitasi kabupaten lima tahun kedepan yang jelas dan terukur

[strategi sanitasi 2 1 kerangka pengembangan sanitasi ppt](#) - Dec 30 2022

web apr 21 2014 strategi sanitasi 2 1 kerangka pengembangan sanitasi merupakan bahan pelatihan kepada fasilitator cf dan pf dan pokja sanitasi kabupaten kota dan provinsi infosanitasi follow advisor at indonesian institute for infrastructure studies recommended strategi sanitasi 4 2 program dan kegiatan infosanitasi 1 1k views 9

[bab 2 kerangka pengembangan sanitasi 123dok com](#) - Aug 06 2023

web bab 2 kerangka pengembangan sanitasi 15 5 download 0 check show more 14 page show more page download now 15 page full text 1 s s k k a b u p a t e n p e s a w a r a n 5 15 bab 2

[bab 2 kerangka pengembangan sanitasi copy](#) - Jan 31 2023

web bab 2 kerangka pengembangan sanitasi teknologi bangunan dan arsitektur di indonesia mar 17 2021 construction and design of buildings in indonesia pengembangan wilayah kabupaten daerah tingkat ii indramayu dalam bidang sosial jul 09 2020 pembangunan perdesaan aug 10 2020 mimbar kekarya abri sep 03 2022 negara pasar dan

[bab ii kerangka pengembangan sanitasi pdf free](#) - Oct 08 2023

web bab ii kerangka pengembangan sanitasi 1 bab ii kerangka pengembangan sanitasi 2 1 visi misi sanitasi sebagai koridor

pembangunan sanitasi jangka menengah maka disusunlah visi dan misi sanitasi author irwan cahyadi

bab ii kerangka pengembangan sanitasi pdf free - Apr 02 2023

web bab ii kerangka pengembangan sanitasi 1 bab ii kerangka pengembangan sanitasi sanitasi merupakan salah satu sektor pelayanan publik yang mempunyai kaitan erat dengan kemiskinan dan kekumuh author doddy iskandar

bergerak bersama dengan strategi sanitasi kota nawasis - Jul 25 2022

web ke 5 tahap itu adalah penyiapan kelompok kerja bab 2 pemetaan kondisi sanitasi kota bab 3 penentuan kerangka kerja pembangunan sanitasi bab 4 penyusunan strategi pengembangan layanan sanitasi bab 5 dan penyusunan strategi pengembangan aspek pendukung bab 6

bab iii kerangka pengembangan sanitasi pdf free - Mar 21 2022

web 1 bab iii kerangka pengembangan sanitasi 3 1 visi dan misi sanitasi visi pembangunan kabupaten aceh besar tahun sebagaimana tertuang dalam rpjmd adalah author liana setiawan 319 downloads 255 views 1mb size report download pdf recommend documents bab iii kerangka pengembangan sanitasi

bab 2 kerangka pengembangan sanitasi - Feb 17 2022

web bab 2 kerangka pengembangan sanitasi downloaded from banking finance gov ie by guest jayvon myla promosi kesehatan dalam berbagai perspektif john wiley sons abstract communication resources dispositions and bureaucratic structure contribute to or limit implementation of public policy transmission of accurate communications is

kerangka pengembangan sanitasi bab 2 pdf free - Jul 05 2023

web kerangka pengembangan sanitasi bab 2 penyusunan kebijakan strategi sanitasi kota tangerang 1 bab 4 program dan kegiatan percepatan pembangunan sanitasi 1 1 ringkasan program dan kegiatan sanitasi program dapat diartikan sebagai kumpulan beberapa kegiatan yang mengarah kepada sebuah

bab 2 kerangka pengembangan sanitasi pdf free - Nov 28 2022

web bab 2 kerangka pengembangan sanitasi 1 bab 2 kerangka pengembangan sanitasi sebagai sebuah dokumen rencana strategis berjangka menengah yang disusun untuk percepatan pembangunan sektor sa author hengki gunardi

bab 2 kerangka pengembangan sanitasi 2023 pantera adecco - Jun 23 2022

web bab 2 kerangka pengembangan sanitasi 3 3 diperbaiki agar indonesia dapat bergerak menuju perekonomian hijau dibutuhkan upaya untuk mengembangkan kebijakan menguatkan aspek kelembagaan dan memastikan ketersediaan sumber daya pidato kenegaraan presiden republik indonesia dalam rangka hut ke proklamasi

bab ii tinjauan pustaka a dasar teori 1 pengertian sanitasi - Mar 01 2023

web bab ii tinjauan pustaka a dasar teori 1 pengertian sanitasi sanitasi merupakan salah satu bagian dari penyehatan lingkungan yaitu upaya meningkatkan derajat kesehatan masyarakat untuk mencegah terjadinya suatu permasalahan

lingkungan dan terjadinya kesakitan yang mengancam kelangsungan hidup sanitasi

bab 2 kerangka pembangunan sanitasi pdf free - Apr 21 2022

web tahapan pengembangan sanitasi dalam merumuskan pengembangan pengelolaan sanitasi pentahapan dibagi ke dalam tahap jangka pendek 1 2 tahun menengah 5 tahun jangka panjang 10 15 tahun maupun kombinasi antara 2 tahapan

bab ii kerangka pengembangan sanitasi pdf free - Sep 07 2023

web home bab ii kerangka pengembangan sanitasi 1 bab ii kerangka pengembangan sanitasi 2 1 visi misi sanitasi visi dan misi sanitasi telah dirumuskan untuk memberi arahan bagi pengembangan sanitasi author hendra sudjarwadi 21 downloads 154 views 3mb size report download pdf

kerangka pengembangan sanitasi pdf free - Aug 26 2022

web bab 2 kerangka pengembangan sanitasi bab ii kerangka pengembangan sanitasi bab 2 kerangka pengembangan sanitasi bab iii kerangka pengembangan sanitasi bab ii kerangka pengembangan sanitasi bab 2 kerangka pengembangan sanitasi bab iii kerangka

bab 2 kerangka pengembangan sanitasi pdf free download - Sep 26 2022

web 1 bab 2 kerangka pengembangan sanitasi 2 1 visi misi sanitasi visi kabupaten pohuwato tabel 2 1 visi dan misi sanitasi

bab 2 kerangka pengembangan sanitasi 123dok com - Oct 28 2022

web berangkat dari isu permasalahan sanitasi pada sub sektor air limbah di kabupaten nagekeo yang telah dijelaskan pada bab ii sebelumnya maka pokja ampl perlu menyusun strategi

compagnons couvreurs le tour de france des - Jun 01 2022

web jul 20 2023 la france des toits compagnon couvreur par collectif aux éditions editions de monza le ciel est par dessus les toits si bleu si calme le couvreur vit

couvreur toulon var 83 dépannage toiture charpente rénovation - Oct 25 2021

livre compagnon couvreur le tour de france des toits librest - Feb 09 2023

web tome 0000 compagnons couvreurs le tour de france des toits stanislas du guerny jean pierre de monza des milliers de livres avec la livraison chez vous en 1 jour ou en

compagnon couvreur le tour de france des toits 2022 vod - Jan 28 2022

web nous vous proposons un devis clair et détaillé pour que vous soyez pleinement informé sur le coût d un nettoyage de toiture ou sur les travaux de rénovation de votre toit ou

compagnon couvreur le tour de france des toits - Jul 14 2023

web mar 5 2015 résumé le ciel est par dessus les toits si bleu si calme le couvreur vit entre ciel et terre libre et indépendant

de là haut il observe et tout en ayant

compagnon couvreur le tour de france des toits - Oct 05 2022

web compagnon couvreur le tour de france des toits jump to sections of this page accessibility help press alt to compagnons
tour de france interest centre de

la france des toits compagnon couvreur collectif cultura - Mar 30 2022

web ulysse le chat qui traversa la france compagnon couvreur le tour de france des toits downloaded from vod transcode uat
mediacp net by guest tristian knox

compagnon couvreur le tour de france des toits furet du nord - Mar 10 2023

web mar 5 2015 select the department you want to search in

amazon fr compagnon couvreur - Apr 30 2022

web 4 compagnon couvreur le tour de france des toits 2021 11 18 editions jacques grancher etude sur le compagnonna ge
une institution dont la modernité s est

couvreur technicien du toit compagnons du tour de - Aug 15 2023

web noté 5 achetez compagnon couvreur le tour de france des toits de guerny stanislas du nauleau bertrand kozlowski paul
isbn 9782916231334 sur amazon fr des

compagnon couvreur le tour de france des - Jan 08 2023

web fnac tome 0000 compagnons couvreurs le tour de france des toits stanislas du guerny jean pierre de monza livraison
chez vous ou en magasin et 5 sur tous les

compagnon couvreur le tour de france des toits paperback - Sep 04 2022

web mémoires d un compagnon du tour de france la fédération compagnonnique les mutations du travail la transformation
des métiers tours inventaire sommaire des

compagnon couvreur le tour de france des toits 2022 - Jul 02 2022

web le prix et d autres détails peuvent varier en fonction de la taille et de la couleur du produit compagnon couvreur le tour
de france des toits de stanislas du guerny bertrand

compagnon couvreur le tour librairie du compagnonnage - Aug 03 2022

web noté 5 achetez compagnons couvreurs le tour de france des toits 0000 de du guerny stanislas isbn 9782916231334 sur
amazon fr des millions de

les compagnons couvreur professionnel à paris les - Nov 25 2021

compagnons couvreurs le tour de france des toits - Nov 06 2022

web compaignon couvreur le tour de france des toits du guerny stanislas amazon com au books

compaignon couvreur le tour de france des toits amazon fr - Jun 13 2023

web le titulaire de ce diplôme est un ouvrier professionnel du bâtiment dans une entreprise de couverture qui assure l'étanchéité des toitures sur le chantier le couvreur intervient

compaignons couvreur le tour de france des toits fnac - Dec 07 2022

web documento compaignon couvreur le tour de france des toits utiliser les flèches haut et bas du clavier pour vous déplacer dans la liste de suggestions rechercher tapez les

compaignon couvreur le tour de france des toits 2023 - Dec 27 2021

web couvreur toulondépannage toiturepose ou rénovation couverture traitement de charpente zinguerie toiture n hésitez pas à nous soumettre votre projet et soyez certain d un

compaignon couvreur le tour de france des toits stanislas du - May 12 2023

web mar 5 2015 compaignon couvreur le tour de france des toits de plongez vous dans le livre stanislas du guerny au format ajoutez le à votre liste de souhaits ou abonnez

fédération compaignonnique couvreur compaignons du tour - Apr 11 2023

web mar 5 2015 le ciel est par dessus les toits si bleu si calme le couvreur vit entre ciel et terre libre et indépendant de là haut il observe et tout en ayant constamment en

compaignon couvreur le tour de france des toits vod - Feb 26 2022

web compaignon couvreur le tour de france des toits le tour de france oct 31 2020 the tour de france is one of the most prestigious and physically challenging sporting

kannada love story novels ai classmonitor com - May 25 2022

web themselves with these stories this book contains the 5 small love stories namely 1 love of attraction one friendship story 2 rani mahal one cute love story 3 critical crisis of doctors one love story with death 4 one untold love story of unexpressed love 5 doubt of sandeep

ಕನ್ನಡ ಲವ್ ಸ್ಟೋರಿ ಕನ್ನಡ ಸೂಪರ್ ಹಿಟ್ ಲವ್ ಸ್ಟೋರಿ ಮೂವಿ ನ್ಯೂ ಕನ್ನಡಾ - Aug 28 2022

web jan 15 2022 watch ಕನ್ನಡ ಲವ್ ಸ್ಟೋರಿ ಕನ್ನಡ ಸೂಪರ್ ಹಿಟ್ ಲವ್ ಸ್ಟೋರಿ ಮೂವಿ ನ್ಯೂ ಕನ್ನಡಾ ಮೂವಿ 2021 anand haripriyafilm manasugala mathu madhura ಕನ್ನಡ ಲವ್ ಸ್ಟೋರಿ

kannada novels library - Feb 02 2023

web disclaimer all the information published in this web page is submitted by users or free to download on the internet i make no representations as to accuracy completeness currentness suitability or validity of any information on this page and will not be liable for any errors omissions or delays in this information or any losses injuries or damages

kannada famous love story novel pma freightlink co uk - Jul 27 2022

web revenge on x lover one inspirational love story a history of indian literature 1911 1956 struggle for freedom triumph and tragedy a stray girl one tearful love story wife s love lesson romantic love story of husband wife police love story one crime story in english kannada famous love story novel downloaded from

amazon in kannada romance books - Feb 19 2022

web jan 1 2022 parinaya prapancha kannada novel kannada edition by sushruth j r 6 march 2022 4 5 out of 5 stars 4 digital love kannada kannada edition by kuldeep dhakar 1 january 2020 paperback previous 1 2 next need help visit the help section or contact us go back to filtering menu

kannada famous love story novel 2022 cms tonpetitlook - Oct 30 2022

web a letter to x lover the best love breakup motivational story a history of indian literature 1911 1956 struggle for freedom triumph and tragedy students britannica india i to m iblis to mira bai

kannada famous love story novel zapmap nissan co - Mar 23 2022

web revenge on x lover one inspirational love story goyal brothers prakashan the beloved debut novel about an affluent indian family forever changed by one fateful day in 1969 from the author of the ministry of utmost happiness new york times bestseller

□ □ □ □ □ □ □ □ □ **kannada romantic story kannada love** - Apr 23 2022

web □ □ □ □ □ □ □ □ □ □ kannada romantic story kannada love stories kannada books kannada stories ebook written by director satishkumar read this book using google play books app on your pc android ios devices

the 60 best romance novels of all time reedsy discovery - Mar 03 2023

web we ve compiled a list of our all time favorite romance novels from historical regency romance to contemporary novels tackling love in the digital age

[kannada famous love story novel protese odontocompany com](#) - Jun 06 2023

web a pho love story encyclopaedia of indian literature navaratri to sarvasena encyclopaedia of indian literature kannada famous love story novel downloaded from protese odontocompany com by guest chance washington the growth of the novel in india 1950 1980 edugorilla a letter to x lover the best love breakup motivational

15 awesome best kannada books to read upd 2023 ankur - Jul 07 2023

web for making the job effortless here is the list of the best kannada books to read in the year 2023 a total of 16 books from multiple genres are given here this list is compiled based on the reader s choice rating and literacy richness

kannada famous love story novel copy mail lafamigliawv - Nov 30 2022

web a letter to x lover the best love breakup motivational story kannada famous love story novel downloaded from mail

lafamigliawv com by guest corinne rhett a pho love story roaring creations private limited revenge on x lover one inspirational love story about the book revenge on x lover is the best love breakup motivational story

[kannada famous love story novel pdf](#) - Apr 04 2023

web kannada famous love story novel 1 kannada famous love story novel right here we have countless books kannada famous love story novel and collections to check out we additionally allow variant types and moreover type of the books to browse the okay book fiction history novel scientific research as

best kannada novels 98 books goodreads - Oct 10 2023

web a list of all time best kannada novels to read flag all votes add books to this list 1 00 000 0 00 000 malegalali madumagalu by kuvempu 4 07 avg rating 3 088 ratings score 27 183 and 273 people voted

kannada famous love story novel pdf staging primmer - May 05 2023

web kannada famous love story novel a text book of social sciences for class 7 limca book of records 2020 22 encyclopedia of post colonial literatures in english jugari cross pearly the great love story of a mermaid limca book of records 2023 students britannica india i to m iblis to mira bai the penguin book of classical indian love

quora a place to share knowledge and better understand the world - Sep 09 2023

web we would like to show you a description here but the site won t allow us

[kannada famous love story novel 2022 ai classmonitor](#) - Sep 28 2022

web kannada famous love story novel downloaded from ai classmonitor com by guest evelin layla pearly the great love story of a mermaid routledge one of the most enduring love stories of our times first published in bengali in 1917 saratchandra chattopadhyay s tragic tale of devdas has become synonymous with a passionate

kannada famous love story novel - Jan 01 2023

web sep 8 2023 kannada famous love story novel author tspa unhcr tug do nlnetlabs nl 2023 09 08 17 46 09 subject kannada famous love story novel keywords kannada famous love story novel created date 9 8 2023 5 46 09 pm

quora a place to share knowledge and better understand the world - Aug 08 2023

web we would like to show you a description here but the site won t allow us

kannada famous love story novel copy ftp adaircountymissouri - Jun 25 2022

web 00 00 0 00 0 0 0 00 kannada romantic love story police love story one crime story in english the king cheater fictional love story in english limca book of records one golden rose beautiful love story a indian college girl losing my religion one crime story in the forest crime thriller