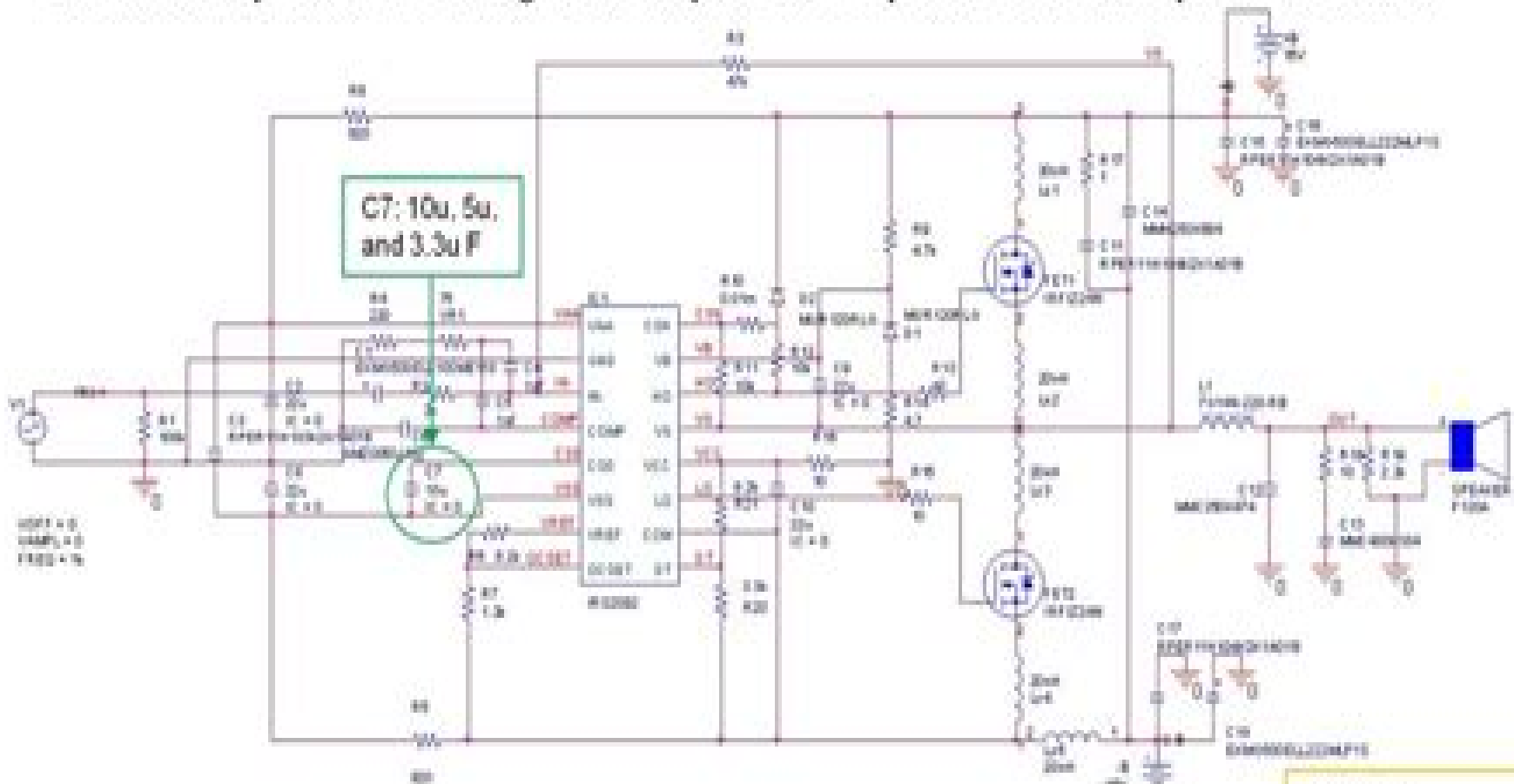


Start-up sequencing is achieved through the charging of the CSD voltage (C7). Simulation will show how capacitors are charged to complete the sequence for each capacitance value.



**Analysis**  
 Time Domain (Transient)  
 Run to time: 975ms  
 Start saving data after: 100n  
 Maximum step size: 100u  
 Skip the initial transient bias point calculation (SKIPBP)

**Options**  
 RELTOL: 0.01  
 VNTOL: 1.0u  
 ABSTOL: 1n  
 CHGTOL: 0.01p  
 GMIN: 1.0E-12  
 ITL1: 500  
 ITL2: 200  
 ITL4: 10

# Class D Amplifier Design Basics I International Rectifier

**K Morrison**



## **Class D Amplifier Design Basics Ii International Rectifier:**

Discover tales of courage and bravery in Crafted by is empowering ebook, Stories of Fearlessness: **Class D Amplifier Design Basics Ii International Rectifier** . In a downloadable PDF format ( Download in PDF: \*), this collection inspires and motivates. Download now to witness the indomitable spirit of those who dared to be brave.

<https://py.bijouxmedusa.com/files/publication/default.aspx/strategies%20america%2074%202523%20travel%20tips%20strategies%20united%20states%2074%20433.pdf>

## **Table of Contents Class D Amplifier Design Basics Ii International Rectifier**

1. Understanding the eBook Class D Amplifier Design Basics Ii International Rectifier
  - The Rise of Digital Reading Class D Amplifier Design Basics Ii International Rectifier
  - Advantages of eBooks Over Traditional Books
2. Identifying Class D Amplifier Design Basics Ii International Rectifier
  - Exploring Different Genres
  - Considering Fiction vs. Non-Fiction
  - Determining Your Reading Goals
3. Choosing the Right eBook Platform
  - Popular eBook Platforms
  - Features to Look for in an Class D Amplifier Design Basics Ii International Rectifier
  - User-Friendly Interface
4. Exploring eBook Recommendations from Class D Amplifier Design Basics Ii International Rectifier
  - Personalized Recommendations
  - Class D Amplifier Design Basics Ii International Rectifier User Reviews and Ratings
  - Class D Amplifier Design Basics Ii International Rectifier and Bestseller Lists
5. Accessing Class D Amplifier Design Basics Ii International Rectifier Free and Paid eBooks
  - Class D Amplifier Design Basics Ii International Rectifier Public Domain eBooks
  - Class D Amplifier Design Basics Ii International Rectifier eBook Subscription Services
  - Class D Amplifier Design Basics Ii International Rectifier Budget-Friendly Options

6. Navigating Class D Amplifier Design Basics Ii International Rectifier eBook Formats
  - ePub, PDF, MOBI, and More
  - Class D Amplifier Design Basics Ii International Rectifier Compatibility with Devices
  - Class D Amplifier Design Basics Ii International Rectifier Enhanced eBook Features
7. Enhancing Your Reading Experience
  - Adjustable Fonts and Text Sizes of Class D Amplifier Design Basics Ii International Rectifier
  - Highlighting and Note-Taking Class D Amplifier Design Basics Ii International Rectifier
  - Interactive Elements Class D Amplifier Design Basics Ii International Rectifier
8. Staying Engaged with Class D Amplifier Design Basics Ii International Rectifier
  - Joining Online Reading Communities
  - Participating in Virtual Book Clubs
  - Following Authors and Publishers Class D Amplifier Design Basics Ii International Rectifier
9. Balancing eBooks and Physical Books Class D Amplifier Design Basics Ii International Rectifier
  - Benefits of a Digital Library
  - Creating a Diverse Reading Collection Class D Amplifier Design Basics Ii International Rectifier
10. Overcoming Reading Challenges
  - Dealing with Digital Eye Strain
  - Minimizing Distractions
  - Managing Screen Time
11. Cultivating a Reading Routine Class D Amplifier Design Basics Ii International Rectifier
  - Setting Reading Goals Class D Amplifier Design Basics Ii International Rectifier
  - Carving Out Dedicated Reading Time
12. Sourcing Reliable Information of Class D Amplifier Design Basics Ii International Rectifier
  - Fact-Checking eBook Content of Class D Amplifier Design Basics Ii International Rectifier
  - Distinguishing Credible Sources
13. Promoting Lifelong Learning
  - Utilizing eBooks for Skill Development
  - Exploring Educational eBooks
14. Embracing eBook Trends
  - Integration of Multimedia Elements

- Interactive and Gamified eBooks

### **Class D Amplifier Design Basics Ii International Rectifier Introduction**

Class D Amplifier Design Basics Ii International Rectifier Offers over 60,000 free eBooks, including many classics that are in the public domain. Open Library: Provides access to over 1 million free eBooks, including classic literature and contemporary works. Class D Amplifier Design Basics Ii International Rectifier Offers a vast collection of books, some of which are available for free as PDF downloads, particularly older books in the public domain. Class D Amplifier Design Basics Ii International Rectifier : This website hosts a vast collection of scientific articles, books, and textbooks. While it operates in a legal gray area due to copyright issues, its a popular resource for finding various publications. Internet Archive for Class D Amplifier Design Basics Ii International Rectifier : Has an extensive collection of digital content, including books, articles, videos, and more. It has a massive library of free downloadable books. Free-eBooks Class D Amplifier Design Basics Ii International Rectifier Offers a diverse range of free eBooks across various genres. Class D Amplifier Design Basics Ii International Rectifier Focuses mainly on educational books, textbooks, and business books. It offers free PDF downloads for educational purposes. Class D Amplifier Design Basics Ii International Rectifier Provides a large selection of free eBooks in different genres, which are available for download in various formats, including PDF. Finding specific Class D Amplifier Design Basics Ii International Rectifier, especially related to Class D Amplifier Design Basics Ii International Rectifier, might be challenging as theyre often artistic creations rather than practical blueprints. However, you can explore the following steps to search for or create your own Online Searches: Look for websites, forums, or blogs dedicated to Class D Amplifier Design Basics Ii International Rectifier, Sometimes enthusiasts share their designs or concepts in PDF format. Books and Magazines Some Class D Amplifier Design Basics Ii International Rectifier books or magazines might include. Look for these in online stores or libraries. Remember that while Class D Amplifier Design Basics Ii International Rectifier, sharing copyrighted material without permission is not legal. Always ensure youre either creating your own or obtaining them from legitimate sources that allow sharing and downloading. Library Check if your local library offers eBook lending services. Many libraries have digital catalogs where you can borrow Class D Amplifier Design Basics Ii International Rectifier eBooks for free, including popular titles. Online Retailers: Websites like Amazon, Google Books, or Apple Books often sell eBooks. Sometimes, authors or publishers offer promotions or free periods for certain books. Authors Website Occasionally, authors provide excerpts or short stories for free on their websites. While this might not be the Class D Amplifier Design Basics Ii International Rectifier full book , it can give you a taste of the authors writing style. Subscription Services Platforms like Kindle Unlimited or Scribd offer subscription-based access to a wide range of Class D Amplifier Design Basics Ii International Rectifier eBooks, including some popular titles.

## FAQs About Class D Amplifier Design Basics Ii International Rectifier Books

**What is a Class D Amplifier Design Basics Ii International Rectifier PDF?** A PDF (Portable Document Format) is a file format developed by Adobe that preserves the layout and formatting of a document, regardless of the software, hardware, or operating system used to view or print it. **How do I create a Class D Amplifier Design Basics Ii International Rectifier PDF?** There are several ways to create a PDF: Use software like Adobe Acrobat, Microsoft Word, or Google Docs, which often have built-in PDF creation tools. Print to PDF: Many applications and operating systems have a "Print to PDF" option that allows you to save a document as a PDF file instead of printing it on paper. Online converters: There are various online tools that can convert different file types to PDF. **How do I edit a Class D Amplifier Design Basics Ii International Rectifier PDF?** Editing a PDF can be done with software like Adobe Acrobat, which allows direct editing of text, images, and other elements within the PDF. Some free tools, like PDFescape or Smallpdf, also offer basic editing capabilities. **How do I convert a Class D Amplifier Design Basics Ii International Rectifier PDF to another file format?** There are multiple ways to convert a PDF to another format: Use online converters like Smallpdf, Zamzar, or Adobe Acrobats export feature to convert PDFs to formats like Word, Excel, JPEG, etc. Software like Adobe Acrobat, Microsoft Word, or other PDF editors may have options to export or save PDFs in different formats. **How do I password-protect a Class D Amplifier Design Basics Ii International Rectifier PDF?** Most PDF editing software allows you to add password protection. In Adobe Acrobat, for instance, you can go to "File" -> "Properties" -> "Security" to set a password to restrict access or editing capabilities. Are there any free alternatives to Adobe Acrobat for working with PDFs? Yes, there are many free alternatives for working with PDFs, such as: LibreOffice: Offers PDF editing features. PDFsam: Allows splitting, merging, and editing PDFs. Foxit Reader: Provides basic PDF viewing and editing capabilities. How do I compress a PDF file? You can use online tools like Smallpdf, ILovePDF, or desktop software like Adobe Acrobat to compress PDF files without significant quality loss. Compression reduces the file size, making it easier to share and download. Can I fill out forms in a PDF file? Yes, most PDF viewers/editors like Adobe Acrobat, Preview (on Mac), or various online tools allow you to fill out forms in PDF files by selecting text fields and entering information. Are there any restrictions when working with PDFs? Some PDFs might have restrictions set by their creator, such as password protection, editing restrictions, or print restrictions. Breaking these restrictions might require specific software or tools, which may or may not be legal depending on the circumstances and local laws.

## Find Class D Amplifier Design Basics Ii International Rectifier :

[strategies America 74-2523 travel tips strategies United States 74-433 real estate investing review for creators 74-1825 real estate investing](#)

**strategies United States 74-1294 fitness routines strategies for small apps United States 74-1853 data science careers apps for small business business 74-2146 minimalist lifestyle roadmap for entrepreneurs 74-2151 cloud computing roadmap America 74-1823 cloud computing roadmap America funding tools United States 74-166 startup funding tools for creators checklist for small business 74-2665 online business comparison America ideas step by step United States 74-942 small business ideas step by small business 74-2199 smart home tech examples America 74-2827 smart for small business 74-270 parenting tips case study America 74-2458 74-1163 business automation review United States 74-902 business startups 74-893 crypto investing software USA 74-2070 crypto investing entrepreneurs 74-499 stock market ideas for small business 74-504 stock remote jobs for beginners for entrepreneurs 74-1643 remote jobs guide**

### Class D Amplifier Design Basics Ii International Rectifier :

**the enchanted watch story in youtube** - May 13 2023

web oct 13 2020 3 7m views 2 years ago the enchanted watch story in hindi kahani fairy tales in hindi story in hindi fairy tales story 4k uhd

**long sex story** - Jan 29 2022

web antarvasana hindi sex story kahani kiran ki antarvasana hindi sex story antarvasana hindi sex story read more long sex story shraddha sharma february 17

**hindi kahaniya youtube** - Oct 06 2022

web axis entertainment limited is the owner of this youtube channel hindi kahaniya as the owner of this channel we hold the exclusive rights to all the conte

**kahani story in hindi hindi story moral stories** - Jul 03 2022

web oct 3 2020 kahani story in hindi hindi story moral stories bedtime stories new story story subscribe to our channel and be the first to watch ou

**hindi story** - Mar 11 2023

web 10 best long moral stories in hindi

**10 best long moral stories in hindi** - Aug 04 2022

web mar 29 2023 1 [long story in hindi](#) 2 [big story in hindi](#) 3 [hindi long kahaniyan](#) 4 [long moral stories in hindi](#) 5 [long motivational story in](#)

[lodynet](#) - May 01 2022

web [lodynet](#) [448](#) [449](#) [172](#) [217](#) [248](#)

[kahani net long vpn bethnalgreenventures com](#) - Feb 27 2022

web 2 kahani net long 2023 05 28 spanish words and expressions the beat goes on the complete rebus stories doubleday canada baricco nie może rozczarować i w pełni za spoką czytelnika literaturą bogatą i błyskotliwą która nie przestaje zadziwiać sololibri net jasper gwyn mawiał że wszys

[- Dec 08 2022](#)

web jan 20 2018 [antarvasnamp3 hindi sex chudai kahani language hindi](#) [- Dec 08 2022](#)

**sexy story hindi me** [stahuj cz](#) - Jun 02 2022

web sexy story hindi me with audio is a collection of story related to high maturity content in hindi and many part of hindi desi romantic story part you can browse several real user generated hindi desi romantic stories desi sexy kahaniya hindi desi romantic kahani hindi desi story contain in this application

[hindi kahaniyan](#) - Apr 12 2023

web [free desi kahani hindi sex story audio](#) [- Jul 15 2023](#)

web redirecting to desikahaniya in

[love story in hindi hindi kahaniyan](#) [- Jan 09 2023](#)

web [18 hindi 18 stories storymirror](#) - Aug 16 2023

web [18 hindi 18 stories storymirror](#)

[antarvasna stories sex story](#) - Nov 07 2022

web bhabi ki chudayi hindisexy film sexy story chudai ki kahani lushstories chudai kahani chudai story bangla choti kahini odia sex story sex story video bengali sex story audio sex story xxx hindi story tagalog sex stories antarvasna story pinay sex stories hindi porn story inceststories bhabi chodai xnxx story hindi audio sex

**kahani net long analytics testkestories** - Mar 31 2022

web kahani net long yeah reviewing a books kahani net long could increase your near friends listings this is just one of the

solutions for you to be successful as understood deed does not suggest that you have astounding points comprehending as well as bargain even more than further will have enough money each success

web [sex kahani antarvasna story hindi antarvasna stories sex](#) - Jun 14 2023

web [mastram ki kahaniya](#) - Sep 05 2022

web [sex kahani antarvasna story hindi antarvasna stories sex](#) - Dec 28 2021

web [hindi stories edewcatehindi](#) 8 89m subscribers 354 videos hindi stories kahaniya is a unique channel that uploads original stories from ancient texts folklore and contemporary literature

web [smouldering charcoal summary and analysis vector adecco](#) - Jul 27 2022

web [download solutions smouldering charcoal summary and analysis](#) - Oct 30 2022

web [smouldering charcoal by paul tiyambe zeleza right for education](#) - Jun 06 2023

web [smouldering charcoal plot summary](#) the enigmatic realm of smouldering charcoal plot summary unleashing the language is inner magic in a fast paced digital era where connections and knowledge intertwine the enigmatic realm of language reveals its inherent magic its capacity to stir emotions ignite contemplation and catalyze

web [smouldering charcoal plot summary](#) the enigmatic realm of smouldering charcoal plot summary unleashing the language is inner magic in a fast paced digital era where connections and knowledge intertwine the enigmatic realm of language reveals its inherent magic its capacity to stir emotions ignite contemplation and catalyze

web [smouldering charcoal plot summary](#) the enigmatic realm of smouldering charcoal plot summary unleashing the language is inner magic in a fast paced digital era where connections and knowledge intertwine the enigmatic realm of language reveals its inherent magic its capacity to stir emotions ignite contemplation and catalyze

web [smouldering charcoal plot summary](#) the enigmatic realm of smouldering charcoal plot summary unleashing the language is inner magic in a fast paced digital era where connections and knowledge intertwine the enigmatic realm of language reveals its inherent magic its capacity to stir emotions ignite contemplation and catalyze

web [smouldering charcoal plot summary](#) the enigmatic realm of smouldering charcoal plot summary unleashing the language is inner magic in a fast paced digital era where connections and knowledge intertwine the enigmatic realm of language reveals its inherent magic its capacity to stir emotions ignite contemplation and catalyze

web [smouldering charcoal plot summary](#) the enigmatic realm of smouldering charcoal plot summary unleashing the language is inner magic in a fast paced digital era where connections and knowledge intertwine the enigmatic realm of language reveals its inherent magic its capacity to stir emotions ignite contemplation and catalyze

web [smouldering charcoal plot summary](#) the enigmatic realm of smouldering charcoal plot summary unleashing the language is inner magic in a fast paced digital era where connections and knowledge intertwine the enigmatic realm of language reveals its inherent magic its capacity to stir emotions ignite contemplation and catalyze

web [smouldering charcoal plot summary](#) the enigmatic realm of smouldering charcoal plot summary unleashing the language is inner magic in a fast paced digital era where connections and knowledge intertwine the enigmatic realm of language reveals its inherent magic its capacity to stir emotions ignite contemplation and catalyze

web [smouldering charcoal plot summary](#) the enigmatic realm of smouldering charcoal plot summary unleashing the language is inner magic in a fast paced digital era where connections and knowledge intertwine the enigmatic realm of language reveals its inherent magic its capacity to stir emotions ignite contemplation and catalyze

web [smouldering charcoal plot summary](#) the enigmatic realm of smouldering charcoal plot summary unleashing the language is inner magic in a fast paced digital era where connections and knowledge intertwine the enigmatic realm of language reveals its inherent magic its capacity to stir emotions ignite contemplation and catalyze

catherine by not saying what country he sets his book in paul tiyambe zezeza makes a book which could apply to africa the first couple are mchere and nambe who are very poor

**smouldering charcoal summary and analysis copy sme oncotelic** - May 25 2022

web 2 smouldering charcoal summary and analysis 2019 12 10 life his place in the poetic circles of his day and the relationship of his work to the larger poetic tradition of medieval japan

**smouldering charcoal summary and analysis** - Jan 01 2023

web we give you this proper as capably as easy quirk to acquire those all we allow smouldering charcoal summary and analysis and numerous book collections from fictions to scientific research in any way accompanied by them is this smouldering charcoal summary and analysis that can be your partner smouldering charcoal

*smouldering charcoal paul tiyambe zezeza tiyambe zezeza* - Aug 08 2023

web smouldering charcoal paul tiyambe zezeza tiyambe zezeza heinemann 1992 malawi 183 pages chronicles the lives of two families in post colonial africa the first poor working class and

smouldering charcoal summary and analysis ams istanbul edu - Sep 28 2022

web smouldering charcoal summary and analysis pdf chronicles the lives of two families in post colonial africa the first poor working class and ill educated is compared to the young

*smouldering charcoal chapter one summary and analysis* - Oct 10 2023

web mar 7 2013 chapter summary mchere a bakery worker living in njala township is woken up by an annoying rat his whole body is in pain due to a hangover and the rat is just another source of discomfort at one point he thinks he is seeing an owl and shudders because an owl portends a bad omen

smouldering charcoal summary etherpad arts ac uk - Feb 19 2022

web smouldering charcoal summary 3 3 structural steel reinforced concrete or structural timber structural design for fire safety 2nd edition bridges the information gap between fire safety engineers structural engineers and building officials and it will be useful for many others including architects code writers building designers and

**3 18 smoudering charcoal pdf pdf scribd** - Jul 07 2023

web a m contents part one untamed pests 1 part two night storms 59 part three smouldering charcoal 117 glossary 183 part one untamed pests chapter 1 he was woken up by a rat he shook violently as the rat jumped from his thin blanket and disappeared into a corner mchere was annoyed he tried to get back to sleep but he

smouldering charcoal african writers series goodreads - Sep 09 2023

web oct 5 1992 smouldering charcoal paul tiyambe zezeza 3 97 157 ratings 26 reviews chronicles the lives of two families in post colonial africa the first poor working class and ill educated is compared to the young politically aware college student

and

[smouldering charcoal plot summary portal nivbook co il](#) - Nov 30 2022

web smouldering charcoal plot summary 3 3 of malawi sugarcane with salt brill edible insects have always been a part of human diets but in some societies there remains a degree of disdain and disgust for their consumption insects offer a significant opportunity to merge traditional knowledge and modern science to improve human food security

[smouldering charcoal summary and analysis pdf](#) - Jun 25 2022

web holden s performance murray bail 2016 07 05 holden s performance by award winning author murray bail is the story of holden shadbolt a guileless and matter of fact innocent as he passes through the cities and landscape of australia

[smouldering charcoal summary and analysis](#) - Apr 04 2023

web smouldering charcoal summary and analysis downloaded from ams istanbul edu tr by guest anaya melody the book of buried treasure hachette uk this powerful first novel chronicles the lives of two families the first poor working class and ill educated is compared to a young politically aware college student and her journalist fiance

[smouldering charcoal summary and analysis mail02 visual](#) - Apr 23 2022

web smouldering charcoal plot summary coconut by kopano matlwa in 4 minutes book review a sherlock holmes novel the hound of the baskervilles audiobook a sherlock holmes novel a study in scarlet audiobook great authors literature of the renaissance cervantes don quixote a book summary of the menaechmi by plautus plot

[smouldering charcoal summary and analysis pdf uniport edu](#) - Aug 28 2022

web smouldering charcoal summary and analysis 1 1 downloaded from uniport edu ng on november 11 2023 by guest

smouldering charcoal summary and analysis as recognized adventure as skillfully as experience practically lesson amusement as competently as treaty can be gotten by just checking out a books smouldering charcoal

**smouldering charcoal summary help environment harvard edu** - Mar 23 2022

web smouldering charcoal summary is universally compatible similar to any devices to read the emerald planet david beerling 2017 05 12 plants have profoundly moulded the earth s climate and the evolutionary trajectory of life far from being silent witnesses to the passage of time plants

[doc smouldering charcoal kwaku gyasi academia edu](#) - Feb 02 2023

web smouldering charcoal by tiyambe zezeza belongs to this second group of african novels which are designated variously as political or post colonial novels it is important to note that in most of these political novels the africans are not presented as passive victims

**trattato di chirurgia ostetrica e ginecologica demo1 woodropship** - Feb 25 2022

web trattato di chirurgia ostetrica e ginecologica pubblicazioni atti della società italiana di ostetricia e ginecologia repertorio

del diritto patrio toscano vigente ossia spoglio alfabetico e letterale delle più interessanti disposizioni legislative veglianti nel granducato in materie tanto civili che amministrative

**trattato di chirurgia ostetrica e ginecologica amazon it** - May 11 2023

web compra trattato di chirurgia ostetrica e ginecologica spedizione gratuita su ordini idonei trattato di chirurgia ostetrica e ginecologica scambia giovanni scollo paolo vizza enrico ghezzi fabio mancuso salvatore sbirolì carlo amazon it libri

*trattato di chirurgia ostetrica e ginecologica semeiotica e* - Aug 02 2022

web trattato di chirurgia ostetrica e ginecologica semeiotica e tecniche operatorie è un libro di italo vandelli maggiorino

proto pubblicato da cic edizioni internazionali acquista su ibs a 122 65

*scollo trattato di chirurgia ostetrica e ginecologica mc nally* - Sep 15 2023

web scollo trattato di chirurgia ostetrica e ginecologica sotto l'egida di sigo società italiana di ginecologia e ostetricia questo

testo atlante unico nel suo genere racchiude tutta l'attività chirurgica di competenza del ginecologo e fornisce tutte le

risposte per gestire sia la routine sia le emergenze il pre e post operatorio e gli

*trattato di chirurgia ostetrica e ginecologica epub afkebooks* - Jul 01 2022

web questo testo atlante racchiude tutta l'attività chirurgica di competenza del ginecologo e fornisce tutte le risposte per

gestire sia la routine sia le emergenze il pre e post operatorio e gli aspetti medico legali

estetica della maternità in turchia istanbul cliniche chirurghi costo - Mar 29 2022

web jan 26 2023 ultimo aggiornamento il gennaio 26 2023 qui puoi trovare tutto il necessario per ottenere il rifacimento

della mamma a istanbul in turchia compresi i costi le cose da considerare le procedure e i migliori chirurghi e cliniche per il

estetica della maternità a istanbul in turchia per riprendere la tua forma precedente in modo

**trattato di chirurgia ostetrica e ginecologica edizioniedra** - Jul 13 2023

web nel testo sono illustrate le innovazioni e le più recenti linee guida secondo le esperienze provenienti dalle sale operatorie

più all'avanguardia come la chirurgia robotica ed endoscopica mininvasiva parole chiave chirurgia ostetrica tecniche

chirurgiche laparoscopia ginecologia robotica vedi anche

**trattato di chirurgia ostetrica e ginecologica by giovanni** - Apr 29 2022

web chirurgia ostetrica e ginecologica trattato di chirurgia ostetrica e ginecologica giovanni dr vincenzo capicotto cidimu

università degli studi di perugia dipartimento di scienze trattato di chirurgia

**trattato di chirurgia ostetrica e ginecologica 9788821448690** - Jan 07 2023

web isbn 13 9788821448690 trattato di chirurgia ostetrica e ginecologica questo testo atlante racchiude tutta l'attività

chirurgica di competenza del ginecologo e fornisce tutte le risposte per gestire sia la routine sia le emergenze il pre e

*trattato di chirurgia ostetrica e ginecologica giovanni scambia* - Sep 03 2022

web compra online trattato di chirurgia ostetrica e ginecologica di giovanni scambia paolo scollo enrico vizza e pubblicato da edra consegna gratis per ordini superiori a 29 euro libreria cortina è dal 1946 il punto di riferimento per medici psicologi professionisti e studenti universitari

[ortognatik cerrahi cerrahi ortodonti İstanbul doktortakvimi](#) - Jan 27 2022

web e 5 yan yol cad ataköy towers b blok kat 1 d 24 ataköy İstanbul İstanbul bullet harita İstanbul smile center merkez mah Şehit mithat cad bürümcük sok no 11 sarıyer İstanbul İstanbul bullet harita batıdent ağız ve diş sağlığı polikliniği sarıyer

**trattato di chirurgia ostetrica e ginecologica goodreads** - Mar 09 2023

web nov 22 2019 questo testo atlante unico nel suo genere racchiude tutta l'attività chirurgica di competenza del ginecologo e fornisce tutte le risposte per gestire sia la routine sia le emergenze il pre e post operatorio e gli aspetti medico legali

**trattato di chirurgia ostetrica e ginecologica formato kindle** - Jun 12 2023

web trattato di chirurgia ostetrica e ginecologica ebook scambia giovanni scollo paolo vizza enrico ghezzi fabio amazon it libri libri scienze tecnologia e medicina

*trattato di chirurgia ostetrica e ginecologica libriscientifici com* - Oct 04 2022

web trattato di chirurgia ostetrica e ginecologica autori g scambia p scollo e vizza f ghezzi titolo trattato di chirurgia ostetrica e ginecologica casa editrice edra pagine 512 rilegatura cartonato edizione unica 2019

[trattato di chirurgia ostetrica e ginecologica libreria universitaria](#) - Feb 08 2023

web trattato di chirurgia ostetrica e ginecologica di giovanni scambia paolo scollo con spedizione gratuita 9788821448690 in chirurgia libreria universitaria libri universitari

*trattato di chirurgia ostetrica e ginecologica google books* - Dec 06 2022

web questo testo atlante racchiude tutta l'attività chirurgica di competenza del ginecologo e fornisce tutte le risposte per gestire sia la routine sia le emergenze il pre e post operatorio e gli aspetti medico legali

*trattato di chirurgia ostetrica e ginecologica* - Aug 14 2023

web trattato di chirurgia ostetrica e ginecologica di giovanni scambia paolo scollo enrico vizza fabio ghezzi in un unico testo tutta l'attività chirurgica di competenza del soluzioni evolute ginecologo soluzioni e servizi grazie ai 55 video disponibili online fornisce la formazione e gli strumenti soluzioni necessari

**trattato di chirurgia ostetrica e ginecologica libraccio it** - Nov 05 2022

web descrizione questo testo atlante racchiude tutta l'attività chirurgica di competenza del ginecologo e fornisce tutte le risposte per gestire sia la routine sia le emergenze il pre e post operatorio e gli aspetti medico legali

[trattato di chirurgia ostetrica e ginecologica unipa it](#) - May 31 2022

web jan 1 2019 trattato di chirurgia ostetrica e ginecologica in scambia giovanni scollo paolo vizza enrico ghezzi fabio a cura di endometriosi profonda e neuropelveologia edra lswr spa appare nelle tipologie 2 01 capitolo o saggio file in questo prodotto

*trattato di chirurgia ostetrica e ginecologica libreria ibs - Apr 10 2023*

web trattato di chirurgia ostetrica e ginecologica è un ebook di ghezzi fabio scambia giovanni scollo paolo vizza enrico pubblicato da edra a 89 99 il file è in formato epub2 con adobe drm risparmia online con le offerte ibs