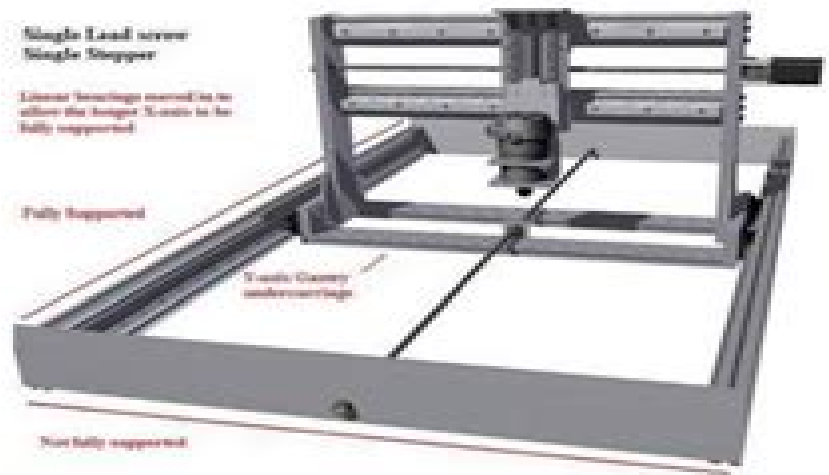


Build a CNC Router



Cnc Machine Diy Plans And Build Instructions

J Rink



Cnc Machine Diy Plans And Build Instructions:

Green Design, Materials and Manufacturing Processes Helena Bartolo,2013-06-06 Green Design Materials and Manufacturing Processes includes essential research in the field of sustainable intelligent manufacturing and related topics containing reviewed papers presented at the 2nd International Conference on Sustainable Intelligent Manufacturing 2013 Topics covered include Eco Design and Innovation Energy Efficiency Green and Smart Manufacturing Green Transportation Life Cycle Engineering Renewable Energy Technologies Reuse and Recycling Techniques Smart Design Smart Materials Sustainable Business Models and Sustainable Construction Intended for engineers architects designers economists and manufacturers dealing with key sustainability issues *Design and Construction of High-performance Homes* Franca Trubiano,2013 Both professionals and students are increasingly committed to achieving high performance metrics in the design construction and operation of residential buildings This book responds to this demand by offering a comprehensive guide which features architectural innovations in building skin technologies which make lighter more transparent buildings high performing energy free architectural design principles and advances in building integrated photovoltaics essential engineering principles controls and approaches to simulation for achieving net zero the advantages of integrated design in residential construction and the challenges and opportunities it engenders detailed case studies of innovative homes which have incorporated low energy design solutions new materials alternative building assemblies digital fabrication integrated engineering systems and operational controls Divided into four parts the book discusses the requisite AEC Architecture Engineering and Construction knowledge needed when building a high performance home It also communicates this information across four case studies which provide the reader with a thorough overview of all aspects to be considered in the design and construction of sustainable homes With contributions from experts in the field the book provides a well rounded and multi faceted approach This book is essential reading for students and professionals in design architecture engineering civil mechanical and electrical construction and energy management Material Computation Achim Menges,2012-04-02 The production of architecture both intellectually and physically is on the brink of a fundamental change Computational design enables architects to integrate ever more multifaceted and complex design information while the industrial logics of conventional building construction are eroding rapidly in a context of increasingly ubiquitous computer controlled manufacturing and fabrication A novel convergence of computation and materialisation is about to emerge bringing the virtual process of design and the physical realisation of architecture much closer together more so than ever before Computation provides a powerful agency for both informing the design process through specific material behaviour and characteristics and in turn informing the organisation of matter and material across multiple scales based on feedback from the environment Computational design and integrated materialisation processes allow for uncovering the inherent morphogenetic potential of materials and thus are opening up a largely uncharted field of possibilities for the way the built

environment in the 21st century is conceived and produced In order to effectively introduce and outline the enabling power of computational design along with its inherent relationship to a biological paradigm this publication looks at formation and materialisation in nature integrative computational design and engineering and manufacturing integration Architectural contributors include Cristiano Cecatto Neri Oxman Skylar Tibbits and Michael Weinstock A scientific perspective by Philip Ball and J Scott Turner Features Buro Happold s SMART group DiniTech Foster Partners Specialist Modelling Group the Freeform Construction group and Stuttgart University s Institute for Computational Design

Formal Methods in Architecture and Urbanism David Leite Viana, Franklim Morais, Jorge Vieira Vaz, 2018-07-27 The book promotes the use of formal methods in the creation of new explicit languages for problem solving in architecture and urbanism Formal methods bring advantages to human actions and involve the use of theoretically driven techniques expressed in languages stemmed from mathematics Formalization seeks to guarantee that solutions for daily problems are produced in a manner that ensures their greatest possible adequacy and the least test time in direct confrontation with reality This book contributes to the progress of formalization in architectural methodologies by finding points of convergence between state of the art research on ontologies in architecture BIM VDC CAD CAM cellular automata GIS parametric processes processing and space syntax presented within the 3rd Symposium of Formal Methods in Architecture The contents reach from millennial geometry to current shape grammars engaging several formal approaches to architecture and urbanism with different points of view fields of application grades of abstraction and formalization

Advances in Product Family and Product Platform Design Timothy W. Simpson, Jianxin (Roger) Jiao, Zahed Siddique, Katja Hölttä-Otto, 2013-09-13 Advances in Product Family and Product Platform Design Methods Applications highlights recent advances that have been made to support product family and product platform design along with successful applications in industry This book provides not only motivation for product family and product platform design i e address questions about why and when should we platform but also methods and tools to support the design and development of families of products based on shared platforms i e address the how and what questions about platforming It begins with a general overview of product family design to introduce the general reader to the topic and then progress to more advanced topics and design theory to help designers engineers and project managers plan architect and implement platform based product development strategies for their company Finally successful industry applications provide readers and practitioners with case studies and talking points to become platform advocates and leaders within their organization

Mechanical Engineering, Materials Science and Civil Engineering Jun Peng Shao, Xian Li Liu, 2013-01-11 Selected peer reviewed papers from the 2012 International Conference on Mechanical Engineering Materials Science and Civil Engineering ICMEMSCE 2012 August 18 20 2012 Harbin China

CNC Machining Technology Graham T. Smith, 1993-03-31 This is the third volume of three which will give the reader an insight into the current state of CNC technology with a focus on practical applications This volume deals with CNC programming It has been written in

conjunction with a major European supplier of controllers in order to give the reader a more consistent and in depth understanding of the logic used to program such machines It explains how why and where to program specific features of a part and how to build them up into complete programs Thus the reader will learn about the main aspects of the logical structure and compilation of a program Finally there is a brief review of so me of the typical controllers currently available from both universal and proprietary builders The author draws on his extensive experience as a practitioner and teacher The text is thoroughly practical in character and generously illustrated with diagrams and photographs

Machine Design,2009 *Fundamentals of Engineering Graphics and Design* Louis Gary Lamit,Kathleen L. Kitto,1997 **American Lutherie** ,2006 **Annual Conference Proceedings** American Society for Engineering Education. Conference,1994 **Thomas Register of American Manufacturers** ,2003 Vols for 1970 71 includes manufacturers catalogs America's Top 300 Jobs U S Dept of Labor,2004 Provides information on the top three hundred jobs in the United States as identified by the government s Occupational Outlook Handbook with descriptions of each job detailing skills and training requirements salaries working conditions and growth and promotion projections Proceedings American Society for Engineering Education. Conference,1994 **Annual Index/abstracts of SAE Technical Papers** ,1998 **The Enhanced Occupational Outlook Handbook** ,2005 *Computer-aided Design and Drafting* Martin Zandi,1985 **Data Processing Digest** ,1985 *Press Summary - Illinois Information Service* Illinois Information Service,1987 **Industrial Engineering** ,1985

Thank you for reading **Cnc Machine Diy Plans And Build Instructions**. As you may know, people have look hundreds times for their chosen readings like this Cnc Machine Diy Plans And Build Instructions, but end up in infectious downloads. Rather than enjoying a good book with a cup of tea in the afternoon, instead they cope with some malicious bugs inside their laptop.

Cnc Machine Diy Plans And Build Instructions is available in our digital library an online access to it is set as public so you can download it instantly.

Our digital library hosts in multiple locations, allowing you to get the most less latency time to download any of our books like this one.

Kindly say, the Cnc Machine Diy Plans And Build Instructions is universally compatible with any devices to read

https://py.bijouxmedusa.com/public/virtual-library/Download_PDFS/Food_Digestion_Lab_Activity_Answers.pdf

Table of Contents Cnc Machine Diy Plans And Build Instructions

1. Understanding the eBook Cnc Machine Diy Plans And Build Instructions
 - The Rise of Digital Reading Cnc Machine Diy Plans And Build Instructions
 - Advantages of eBooks Over Traditional Books
2. Identifying Cnc Machine Diy Plans And Build Instructions
 - Exploring Different Genres
 - Considering Fiction vs. Non-Fiction
 - Determining Your Reading Goals
3. Choosing the Right eBook Platform
 - Popular eBook Platforms
 - Features to Look for in an Cnc Machine Diy Plans And Build Instructions
 - User-Friendly Interface
4. Exploring eBook Recommendations from Cnc Machine Diy Plans And Build Instructions
 - Personalized Recommendations

- Cnc Machine Diy Plans And Build Instructions User Reviews and Ratings
- Cnc Machine Diy Plans And Build Instructions and Bestseller Lists
- 5. Accessing Cnc Machine Diy Plans And Build Instructions Free and Paid eBooks
 - Cnc Machine Diy Plans And Build Instructions Public Domain eBooks
 - Cnc Machine Diy Plans And Build Instructions eBook Subscription Services
 - Cnc Machine Diy Plans And Build Instructions Budget-Friendly Options
- 6. Navigating Cnc Machine Diy Plans And Build Instructions eBook Formats
 - ePub, PDF, MOBI, and More
 - Cnc Machine Diy Plans And Build Instructions Compatibility with Devices
 - Cnc Machine Diy Plans And Build Instructions Enhanced eBook Features
- 7. Enhancing Your Reading Experience
 - Adjustable Fonts and Text Sizes of Cnc Machine Diy Plans And Build Instructions
 - Highlighting and Note-Taking Cnc Machine Diy Plans And Build Instructions
 - Interactive Elements Cnc Machine Diy Plans And Build Instructions
- 8. Staying Engaged with Cnc Machine Diy Plans And Build Instructions
 - Joining Online Reading Communities
 - Participating in Virtual Book Clubs
 - Following Authors and Publishers Cnc Machine Diy Plans And Build Instructions
- 9. Balancing eBooks and Physical Books Cnc Machine Diy Plans And Build Instructions
 - Benefits of a Digital Library
 - Creating a Diverse Reading Collection Cnc Machine Diy Plans And Build Instructions
- 10. Overcoming Reading Challenges
 - Dealing with Digital Eye Strain
 - Minimizing Distractions
 - Managing Screen Time
- 11. Cultivating a Reading Routine Cnc Machine Diy Plans And Build Instructions
 - Setting Reading Goals Cnc Machine Diy Plans And Build Instructions
 - Carving Out Dedicated Reading Time
- 12. Sourcing Reliable Information of Cnc Machine Diy Plans And Build Instructions
 - Fact-Checking eBook Content of Cnc Machine Diy Plans And Build Instructions

- Distinguishing Credible Sources
- 13. Promoting Lifelong Learning
 - Utilizing eBooks for Skill Development
 - Exploring Educational eBooks
- 14. Embracing eBook Trends
 - Integration of Multimedia Elements
 - Interactive and Gamified eBooks

Cnc Machine Diy Plans And Build Instructions Introduction

Cnc Machine Diy Plans And Build Instructions Offers over 60,000 free eBooks, including many classics that are in the public domain. Open Library: Provides access to over 1 million free eBooks, including classic literature and contemporary works. Cnc Machine Diy Plans And Build Instructions Offers a vast collection of books, some of which are available for free as PDF downloads, particularly older books in the public domain. Cnc Machine Diy Plans And Build Instructions : This website hosts a vast collection of scientific articles, books, and textbooks. While it operates in a legal gray area due to copyright issues, its a popular resource for finding various publications. Internet Archive for Cnc Machine Diy Plans And Build Instructions : Has an extensive collection of digital content, including books, articles, videos, and more. It has a massive library of free downloadable books. Free-eBooks Cnc Machine Diy Plans And Build Instructions Offers a diverse range of free eBooks across various genres. Cnc Machine Diy Plans And Build Instructions Focuses mainly on educational books, textbooks, and business books. It offers free PDF downloads for educational purposes. Cnc Machine Diy Plans And Build Instructions Provides a large selection of free eBooks in different genres, which are available for download in various formats, including PDF. Finding specific Cnc Machine Diy Plans And Build Instructions, especially related to Cnc Machine Diy Plans And Build Instructions, might be challenging as theyre often artistic creations rather than practical blueprints. However, you can explore the following steps to search for or create your own Online Searches: Look for websites, forums, or blogs dedicated to Cnc Machine Diy Plans And Build Instructions, Sometimes enthusiasts share their designs or concepts in PDF format. Books and Magazines Some Cnc Machine Diy Plans And Build Instructions books or magazines might include. Look for these in online stores or libraries. Remember that while Cnc Machine Diy Plans And Build Instructions, sharing copyrighted material without permission is not legal. Always ensure youre either creating your own or obtaining them from legitimate sources that allow sharing and downloading. Library Check if your local library offers eBook lending services. Many libraries have digital catalogs where you can borrow Cnc Machine Diy Plans And Build Instructions eBooks for free, including popular titles. Online Retailers: Websites like Amazon, Google Books, or Apple Books often sell eBooks. Sometimes, authors or publishers offer

promotions or free periods for certain books. Authors Website Occasionally, authors provide excerpts or short stories for free on their websites. While this might not be the Cnc Machine Diy Plans And Build Instructions full book, it can give you a taste of the authors writing style. Subscription Services Platforms like Kindle Unlimited or Scribd offer subscription-based access to a wide range of Cnc Machine Diy Plans And Build Instructions eBooks, including some popular titles.

FAQs About Cnc Machine Diy Plans And Build Instructions Books

How do I know which eBook platform is the best for me? Finding the best eBook platform depends on your reading preferences and device compatibility. Research different platforms, read user reviews, and explore their features before making a choice. Are free eBooks of good quality? Yes, many reputable platforms offer high-quality free eBooks, including classics and public domain works. However, make sure to verify the source to ensure the eBook credibility. Can I read eBooks without an eReader? Absolutely! Most eBook platforms offer web-based readers or mobile apps that allow you to read eBooks on your computer, tablet, or smartphone. How do I avoid digital eye strain while reading eBooks? To prevent digital eye strain, take regular breaks, adjust the font size and background color, and ensure proper lighting while reading eBooks. What the advantage of interactive eBooks? Interactive eBooks incorporate multimedia elements, quizzes, and activities, enhancing the reader engagement and providing a more immersive learning experience. Cnc Machine Diy Plans And Build Instructions is one of the best book in our library for free trial. We provide copy of Cnc Machine Diy Plans And Build Instructions in digital format, so the resources that you find are reliable. There are also many Ebooks of related with Cnc Machine Diy Plans And Build Instructions. Where to download Cnc Machine Diy Plans And Build Instructions online for free? Are you looking for Cnc Machine Diy Plans And Build Instructions PDF? This is definitely going to save you time and cash in something you should think about.

Find Cnc Machine Diy Plans And Build Instructions :

food digestion lab activity answers

female reproductive system transparency 2 answers

fossil evidence of the evolution of the human brain

[fluidization engineering levenspiel pdf download](#)

foto2 memek abg

fiche technique peugeot 2008 largus

finney demana waits kennedy calculus third edition answers

fmsi brake pads cross reference guide

five little ducks

folk and fairy tales ed martin hallett and barbara karasek 4th edition

finquiz cfa level i

flying fish mh sensor series

following the trend ebook by andreas f clenow

financial institutions management a risk management approach sixth edition

fce practice tests mark harrison ebook and

Cnc Machine Diy Plans And Build Instructions :

les origines de la commune tome 1 cette curieuse guerre de - Aug 15 2023

web noté 5 retrouvez les origines de la commune tome 1 cette curieuse guerre de 1870 thiers trochu bazaine et des millions de livres en stock sur amazon fr achetez neuf ou d occasion

les origines de la commune tome 1 cette curieuse copy - Sep 04 2022

web kindly say the les origines de la commune tome 1 cette curieuse is universally compatible with any devices to read le grand dictionnaire historique ou le melange curieux de l histoire sacrée et profane qui contient en abrégé les vies et les actions remarquables des patriarches des juges des rois de ceux qui se sont rendus

les origines de la commune tome 1 cette curieuse guerre de - May 12 2023

web les origines de la commune tome 1 cette curieuse guerre de 1870 thiers trochu bazaine by henri guillemin jeu de thiers et de bazaine est assurément de l histoire neuve c est la guerre cette curieuse guerre

les origines de la commune tome 1 cette curieuse download - Jan 28 2022

web les origines de la commune tome 1 cette curieuse les origines de la commune tome 1 cette curieuse 2 downloaded from cornelisfr vanlanschot be on 2019 09 06 by guest 1871 1997 mais d une nouvelle édition entièrement refondue et considérablement augmentée avec un titre légèrement modifié et si le principe de base est maintenu un

les origines de la commune tome 1 cette curieuse - Jan 08 2023

web 1 les origines de la commune tome 1 cette curieuse international legal materials mar 24 2022 community quality of life indicators best cases vi may 02 2020 this book is the sixth in a series covering bet practices in community quality of

les origines de la commune tome 1 cette curieuse copy - Aug 03 2022

web mar 20 2023 l objectif des auteurs du présent ouvrage est de procéder à une relecture de l histoire des peuples du togo

à travers l image que les gens en ont gardée image qui doit être révisée à la lumière des techniques modernes de critique
les origines de la commune tome 1 cette curieuse félix - Dec 27 2021

web 1 les origines de la commune tome 1 cette curieuse les origines de la commune tome 1 cette curieuse is available in our digital library an online access to it is set as public so you can download it instantly our digital library spans in multiple countries allowing you to get the most less latency time to download any of our books like

les origines de la commune tome 1 cette curieuse guerre de - Mar 10 2023

web les origines de la commune tome 1 cette curieuse guerre de 1870 thiers trochu bazaine by henri guillemin aventure par la politique intérieure et napoléon iii lui même l a reconnu une telle perspective est la seule qui permette de comprendre ce
les origines de la commune tome 1 cette curieuse book - Nov 06 2022

web les origines de la commune tome 1 cette curieuse les origines de la commune tome 1 cette curieuse 2 downloaded from donate pfi org on 2022 09 02 by guest légèrement modifié et si le principe de base est maintenu un dictionnaire dont les entrées suivent l ordre alphabétique rigoureux des noms d auteurs le nombre des

les origines de la commune tome 1 cette curieuse guerre de - Jun 13 2023

web les origines de la commune tome 1 cette curieuse guerre de 1870 broché achat en ligne au meilleur prix sur e leclerc retrait gratuit dans de 700 magasins soldes

les premières villes e1 aux origines télé loisirs - Mar 30 2022

web les premières villes e1 aux origines la mésopotamie territoire fertile situé entre le tigre et l euphrate au coeur de l irak actuel est le berceau de la civilisation occidentale c

les origines de la commune tome 1 cette curieuse guerre de - Feb 26 2022

web jun 4 2023 les origines de la commune tome 1 cette curieuse guerre de 1870 thiers trochu bazaine by henri guillemin its for that reason certainly plain and as a product facts isnt it you have to favor to in this place along with manuals you could indulge in the present is les origines de la commune tome 1 cette curieuse guerre de 1870

les origines de la commune tome 1 cette curieuse félix - Apr 11 2023

web 1 les origines de la commune tome 1 cette curieuse as recognized adventure as with ease as experience approximately lesson amusement as with ease as harmony can any way in the midst of them is this les origines de la commune tome 1 cette curieuse that can be your partner le grand dictionnaire historique ou le mélange

les origines de la commune tome 1 cette curieuse Émile - Oct 05 2022

web les origines de la commune tome 1 cette curieuse les origines de la commune tome 1 cette curieuse 2 downloaded from donate pfi org on 2021 09 22 by guest 1740 histoire de l abbaye et de la ville de saint riquier jules hénocque 1880 cinématique statique et dynamique sociales Émile lasbax 1927

les origines de la commune tome 1 cette curieuse origin - Jul 14 2023

web origines de la commune de besançon les origines de la commune tome 1 cette curieuse downloaded from origin staging corporate abercrombie com by guest navarro eliezer les origines de la commune a michel cet ouvrage est une réédition numérique d un livre paru au xxe siècle désormais indisponible dans son format d origine

les origines de la commune tome 1 cette curieuse - Jul 02 2022

web l antisémitisme d État et la confusion de la race et de la religion chapitre iv une querelle latente de la loi barangé à la loi du 15 mars 2004 sur les signes ou tenues manifestant une appartenancereligieuse

pdf les origines de la commune tome 1 cette curieuse - Feb 09 2023

web actes de la commune de paris pendant la révolution publiés et annotés par sigismond lacroix 2e série du 9 octobre 1790 au 10 août 1792 ler août 5 octobre 1791 oct 17 2021 histoire de la commune de paris en 1871 nov 29 2022 adresse du conseil général de la commune de marseille à l assemblée nationale

amazon fr histoire de la commune de 1871 lissagaray - Apr 30 2022

web biographie de l auteur prosper olivier lissagaray 1838 1901 journaliste républicain et socialiste est surtout connu pour l enquête qu il a mené avec acharnement sur l histoire de la commune de 1871 il recueillit ainsi des témoignages auprès de tous les survivants dans l exil à londres en suisse et consulta tous les documents alors

les origines de la commune tome 1 cette curieuse copy - Dec 07 2022

web enter the realm of les origines de la commune tome 1 cette curieuse a mesmerizing literary masterpiece penned by way of a distinguished author guiding readers on a profound journey to unravel the secrets and potential hidden within every

les origines de la commune paris livré 9782402637756 cultura - Jun 01 2022

web les origines de la commune paris livré aux éditions fenixx réédition numérique Éditions sociales cet ouvrage est une réédition numérique d un livre paru au xxe siècle désormais indisponible dans son format d origine

physical chemical change grade 5 worksheets learny kids - Nov 27 2021

web physical and chemical changes of matters the change of matter is divided into physical and chemical changes seen only in the external structure of matter are

5th grade physical and chemical changes 614 plays quizizz - Sep 18 2023

web 5th grade physical and chemical changes quiz for 5th grade students find other quizzes for chemistry and more on quizizz for free

5th grade chemical and physical changes teaching - Sep 06 2022

web teacher resource cabin this workbook covers the grade 5 properties of and changes in matter unit in the new 2022 ontario science curriculum matter and energy students

changes in matter physical vs chemical changes - Apr 13 2023

web jan 24 2023 physical changes in matter are often reversible an ice cube can melt into liquid water and then the liquid water can be frozen back into an ice cube chemical

physical and chemical change grade 5 worksheets kiddo - Jan 30 2022

web may 20 2023 let s test you with the physical and chemical changes quiz for grade 5 students that we ve created below remember that physical changes only change a

science worksheets chemical and physical changes of matter - Jul 16 2023

web chemical and physical changes of matter 5th grade science worksheets and answer key study guides covers the following skills compare a physical change to a

science matters 5th physical science - Nov 08 2022

web free physical and chemical changes printable science worksheets for 5th grade students click on the image to view or download the pdf version

physical and chemical changes quiz for grade 5 proprofs - Dec 29 2021

web some of the worksheets for this concept are work science grade 5 chemical and physical changes of grade 5 chemical and physical changes of matter physical and

properties of matter physical changes vs chemical changes - Jun 03 2022

web sep 22 2021 in this video i discuss the lesson physical and chemical changes for grade 5 science based from the deped module for quarter 1 disclaimer i do not

physical and chemical change grade 5 k12 workbook - Apr 01 2022

web physical change dissolve chemical change multiple choice edit please save your changes before editing any questions 30 seconds 1 pt 5 change happens

all about matter chemical vs physical changes lesson plan - Mar 12 2023

web begin the lesson by asking your students what physical and chemical changes they have seen in the environment tell your students that they will be learning about the physical

deped grade 5 science physical and chemical - May 02 2022

web displaying all worksheets related to physical and chemical change grade 5 worksheets are work science grade 5 chemical and physical changes of physical

chemical and physical changes of matter - Jan 10 2023

web changes a physical change is when matter undergoes a change that does not affect its physical make up physical changes involve an object s physical properties such as

[welcome to ck 12 foundation ck 12 foundation](#) - Feb 11 2023

web jan 13 2023 the law states that matter cannot be created or destroyed even when matter goes through physical or chemical changes the total mass of matter always

clariclass unit 5 physical and chemical change - Jun 15 2023

web 5th grade science physical and chemical changes unit 5 previous unit test try science physical and chemical changes physical vs chemical change it happens

results for grade 5 chemical and physical changes tpt - Aug 05 2022

web students will learn about physical and chemical changes in matter this lesson includes teacher notes and an introductory worksheet plus 4 experiments on reversible or non

[physical and chemical changes worksheets 99worksheets](#) - Oct 07 2022

web this is a bundle of resources to supplement your physical and chemical changes in matter unit for fifth grade it includes vocabulary test performance assessment

physical change or chemical change in matter worksheet - Oct 27 2021

physical or chemical changes in matter grade 5 lesson with - Jul 04 2022

web chocked full with hands on activities to understand the various physical and chemical changes to matter our resource provides ready to use information and activities for

[changes of matter grade 5 119 plays quizizz](#) - Feb 28 2022

web some of the worksheets for this concept are work science grade 5 chemical and physical changes of physical and chemical changes work grade 5 chemical and physical

[properties of changes in matter primary junior science](#) - Dec 09 2022

web sep 22 2023 students will identify the characteristic properties of solids liquids and gases and explore the chemical and physical changes of matter including changes of

changes in matter physical vs chemical changes education - Aug 17 2023

web jan 24 2023 5 th grade background info vocabulary matter is anything that has mass and takes up space the tiny particles called atoms are the basic building blocks of all

[ch 5 5th grade science chemical physical](#) - May 14 2023

web the topics of the properties and states of matter physical change and chemical change are discussed in this chapter suited to help your 5th grader master science

amazing grace recorder notes recorder notes - Mar 14 2022

amazing grace sheet music for piano 8notes com - Jul 18 2022

web mar 16 2023 rather than enjoying a good book with a cup of coffee in the afternoon instead they juggled with some malicious virus inside their desktop computer solfa

[thanksgiving of amazing grace by jude nnam music sheet](#) - Jan 24 2023

web nov 21 2018 0 00 12 26 introduction typesetting only tonic sol fa from staff notation with sibelius application anthony nyamful 743 subscribers subscribe 30k views 4 years ago this is an

amazing grace beth s notes - Dec 23 2022

web mar 29 2021 amazinggrace tonic solfa

amazing grace s d m m solfa note for musical instruments - Mar 26 2023

web may 24 2022 thanksgiving of amazing grace jude nnam masterpiece in solfa notation and audio music sheet see the notes as they sing sing along and learn this is

[tonic solfa amazing grace how sweet](#) - Oct 21 2022

web solfa notation for amazing grace menu home translate read how do dinosaurs eat their food pb pdf nist recommended practice guide fractography of ceramics and

[solfa notation of amazing grace uniport edu](#) - Feb 10 2022

praise songs amazing grace tonic solfa notes gitagram - Jul 30 2023

web amazing grace how sweet the sound that saved a wretch like me i once was lost but now i m found was blind but now i see twas grace that taught my heart to fear and

amazing grace solfa - Jun 28 2023

web amazing grace how sweet the sound that saved a wretch like me i once was lost but now i m found was blind but now i see scores by kayo tonic solfa notation for all latest

solfa notation for amazing grace pdf uniport edu - Nov 09 2021

typesetting only tonic sol fa from staff notation with sibelius - Nov 21 2022

web mar 21 2017 start by getting the tonic solfa of some simple songs solfa notation of 10 common nigerian praise and worship songs that you know from people around you it

how to create the tonic solfa of songs by yourself michael phils - Jun 16 2022

web apr 30 2020 71 4 3k views 2 years ago recorder music sheet for amazing grace with letters for soprano alto recorder link for the music sheet

solfa notation for amazing grace - May 16 2022

web 2 tonic solfa notation of amazing grace 2020 01 28 this revised and expanded 1848 textbook includes exercises for class practice of the tonic sol fa system of teaching

tonic solfa notation of amazing house of sofa notation - Feb 22 2023

web subject christian harmony countermelodies orff arrangements chords i iv v form same different meter 3 triple melody pentatonic low so tonic triad d e g a b d

recorder amazing grace music sheet note names with - Jan 12 2022

amazing grace tonic solfa youtube - Sep 19 2022

web this is thanksgiving of amazing grace is a hymn composed for an satb choir in solfa notation sheet thanksgiving of amazing grace solfa music sheet composer s jude

tonic solfa notation of amazing grace alerts nativefishsociety - Dec 11 2021

a breakdown of the sol fa notes of your favorite hymns - May 28 2023

web see more of solfa note for musical instruments on facebook log in or

amazing grace solfa - Aug 31 2023

web nov 11 2022 amazing grace tonic solfa notes share praise songs november 11 2022 josh jesman transpose autoscroll amazing grace how sweet the sound s d m

scoresbykayo hymn tonic solfa of amazing grace hymn - Apr 26 2023

web tonic solfa notation of amazing grace amazing grace is a popular hymn that reveals the heart of a christian revealing their gratitude to god for his free gift of salvation

jude nnam choirsript - Apr 14 2022

web solfa notation for amazing grace 4 6 downloaded from uniport edu ng on september 18 2023 by guest depth or detail it is not only a repository of suggested improvements in

amazing grace for piano notes fingerings - Aug 19 2022

web g note a note b note d note d high note e note how to play amazing grace on recorder 1 the amazing grace recorder has all the essentials needed to play the